



US00D818107S

(12) **United States Design Patent**  
**Junkel et al.**

(10) **Patent No.:** **US D818,107 S**

(45) **Date of Patent:** **\*\* May 15, 2018**

- (54) **FAN**
- (71) Applicant: **O2COOL, LLC**, Chicago, IL (US)
- (72) Inventors: **Eric F. Junkel**, Mount Prospect, IL (US); **Michael Ksiazek**, Burr Ridge, IL (US); **Oliver Breit**, Discovery Bay (HK); **Lars Junker**, Kowloon (HK)
- (73) Assignee: **O2COOL, LLC**, Chicago, IL (US)
- (\*\*) Term: **15 Years**
- (21) Appl. No.: **29/596,598**
- (22) Filed: **Mar. 9, 2017**
- (51) **LOC (11) Cl.** ..... **23-04**
- (52) **U.S. Cl.**  
USPC ..... **D23/382**
- (58) **Field of Classification Search**  
USPC ..... D23/370-379, 381-385, 411-414, 360, D23/314, 335, 332; D26/59, 106, 61-62, D26/104, 63-65; D32/15  
CPC ..... F04D 5/00; F04D 27/00; F24H 3/04  
See application file for complete search history.

- D689,600 S \* 9/2013 Herbst ..... D23/382
- D750,212 S \* 2/2016 Herbst ..... D23/382
- D752,201 S \* 3/2016 Herbst ..... D23/370
- 2013/0315727 A1 \* 11/2013 Ho ..... F04D 25/166  
415/213.1

\* cited by examiner

*Primary Examiner* — Janice Hallmark

(74) *Attorney, Agent, or Firm* — Thompson Coburn LLP; Alan H. Norman

(57) **CLAIM**

The ornamental design for a fan, as shown and described.

**DESCRIPTION**

FIG. 1 is a perspective view of the fan of our new design in a first configuration;  
 FIG. 2 is an alternate perspective view of the fan of FIG. 1;  
 FIG. 3 is a front view of the fan of FIG. 1;  
 FIG. 4 is a rear view of the fan of FIG. 1;  
 FIG. 5 is a right side view of the fan of FIG. 1;  
 FIG. 6 is a left side view of the fan of FIG. 1;  
 FIG. 7 is a top plan view of the fan of FIG. 1;  
 FIG. 8 is a bottom plan view of the fan of FIG. 1;  
 FIG. 9 is a perspective view of the fan of our new design in a second configuration;  
 FIG. 10 is an alternate perspective view of the fan of FIG. 9; and,  
 FIG. 11 is a rear view of the fan of FIG. 9.

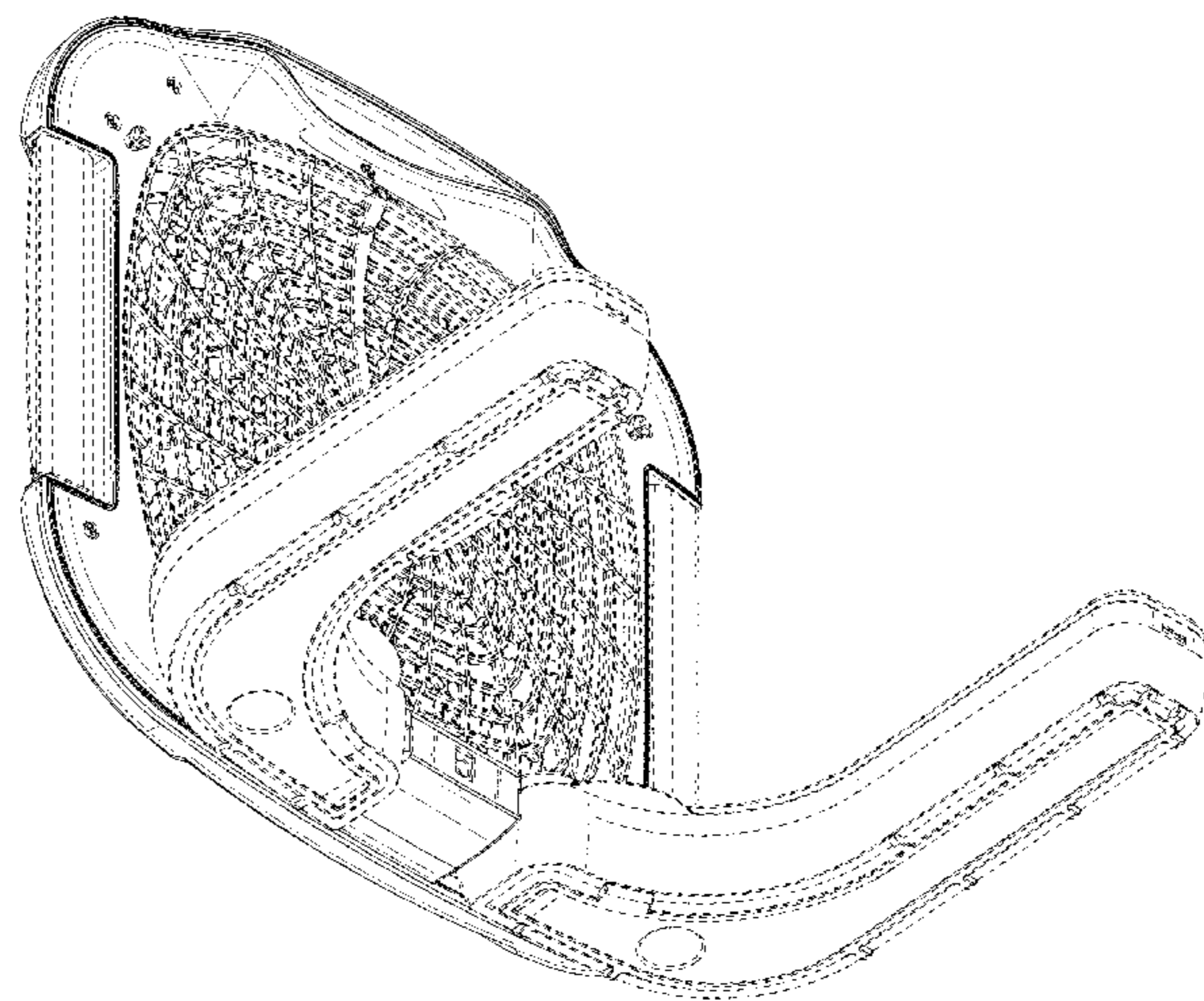
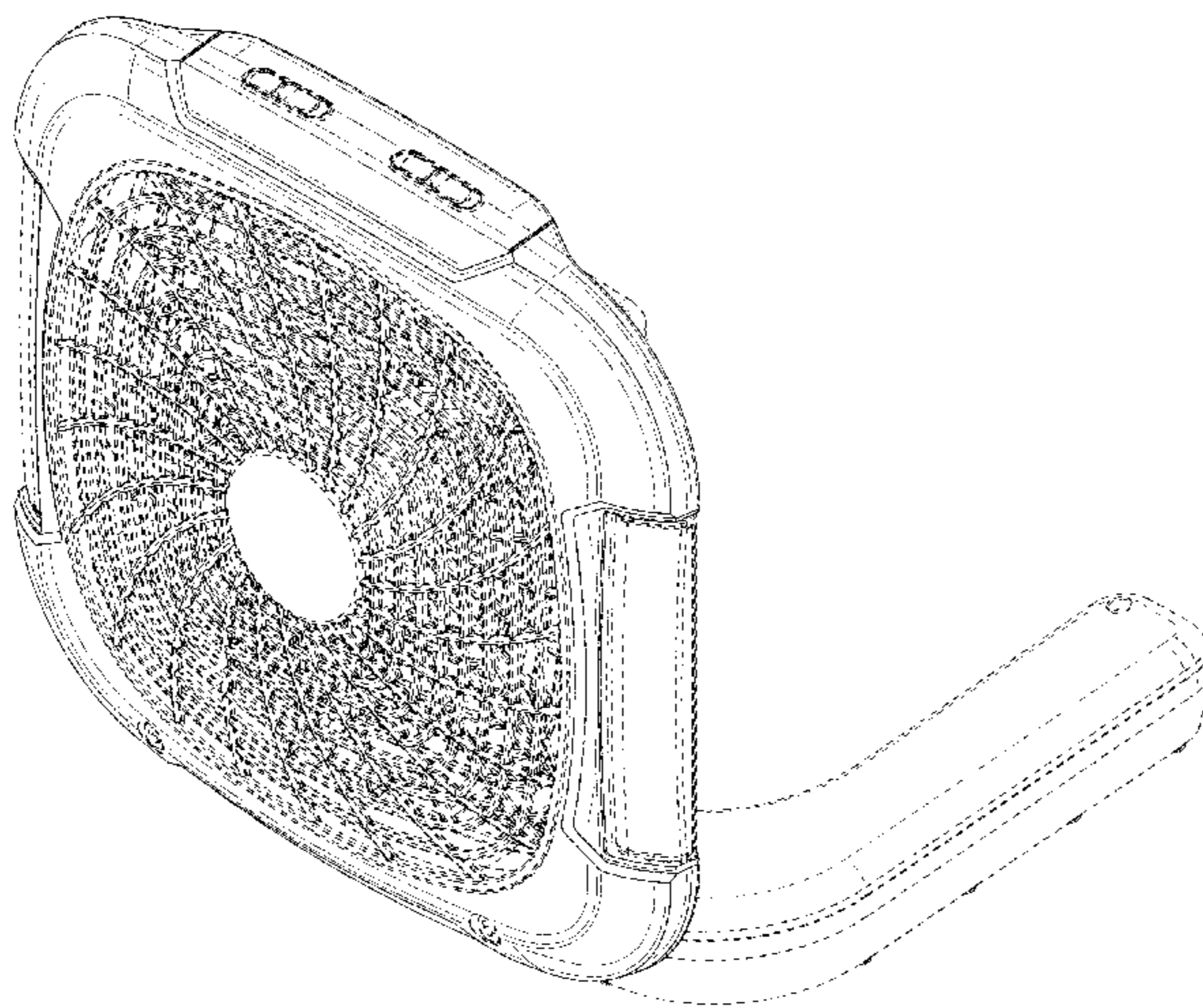
The broken lines immediately adjacent the shaded areas represent the bounds of the claimed design while all other broken lines are directed to environment; the broken lines form no part of the claimed design.

**1 Claim, 11 Drawing Sheets**

(56) **References Cited**

**U.S. PATENT DOCUMENTS**

- D387,151 S \* 12/1997 Fok ..... D23/332
- D429,326 S \* 8/2000 Fok ..... D23/332
- D458,361 S \* 6/2002 Melwani ..... D23/379
- D564,084 S \* 3/2008 Chen ..... D23/382
- D566,260 S \* 4/2008 Chen ..... D23/382
- D610,671 S \* 2/2010 Zhuang ..... D23/382
- D683,010 S \* 5/2013 Chen ..... D23/370
- D689,599 S \* 9/2013 Herbst ..... D23/382



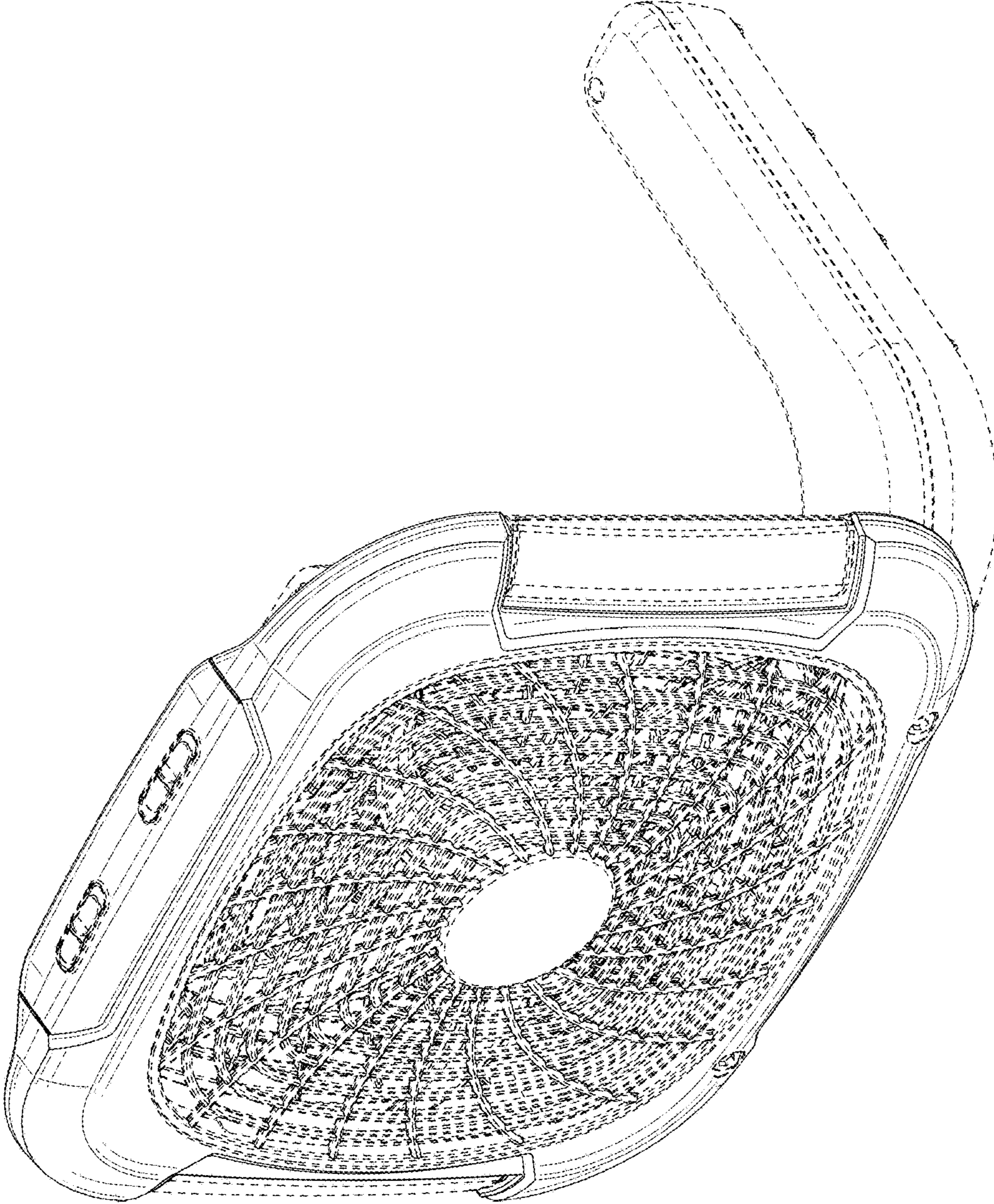


FIG. 1

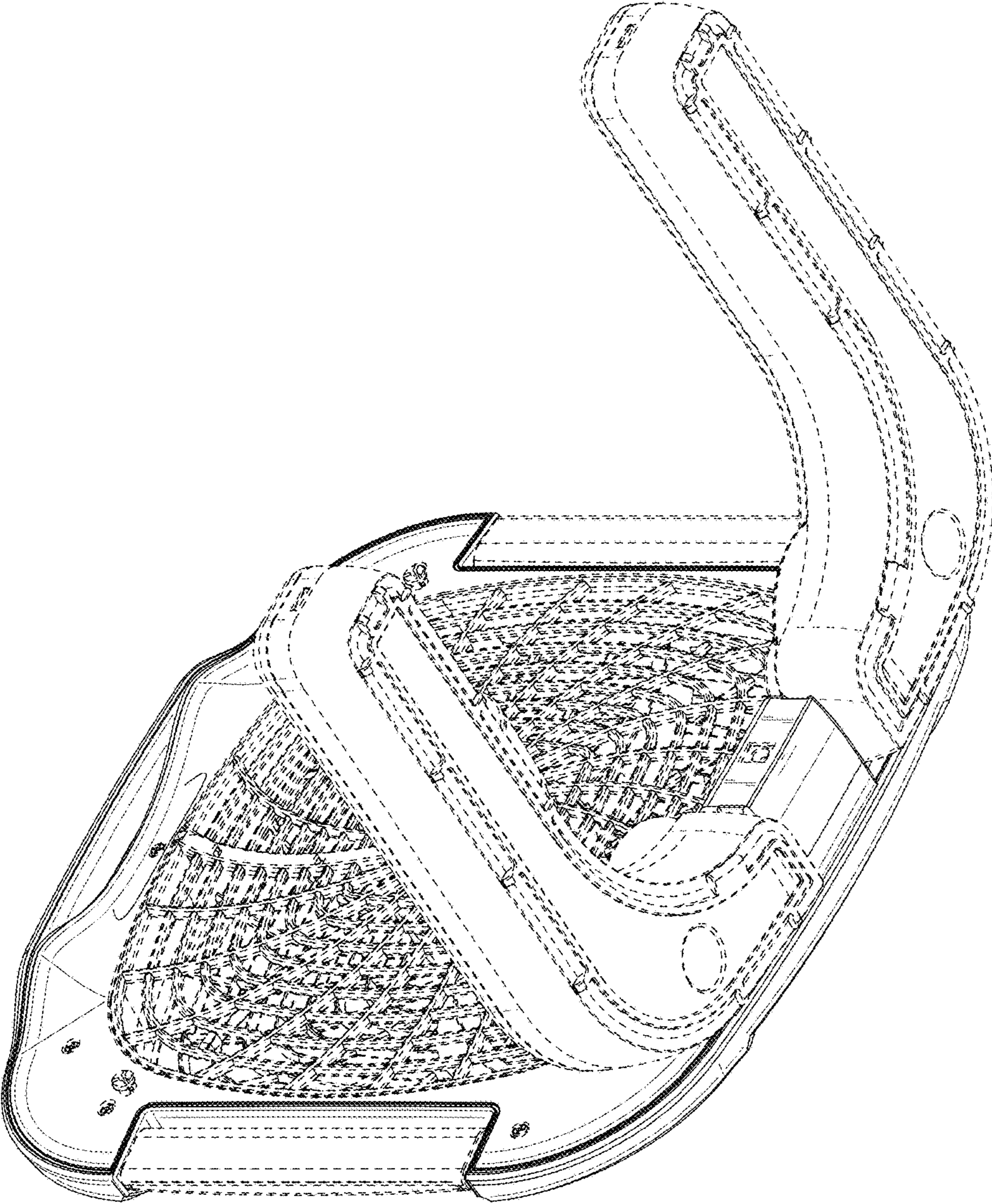


FIG. 2

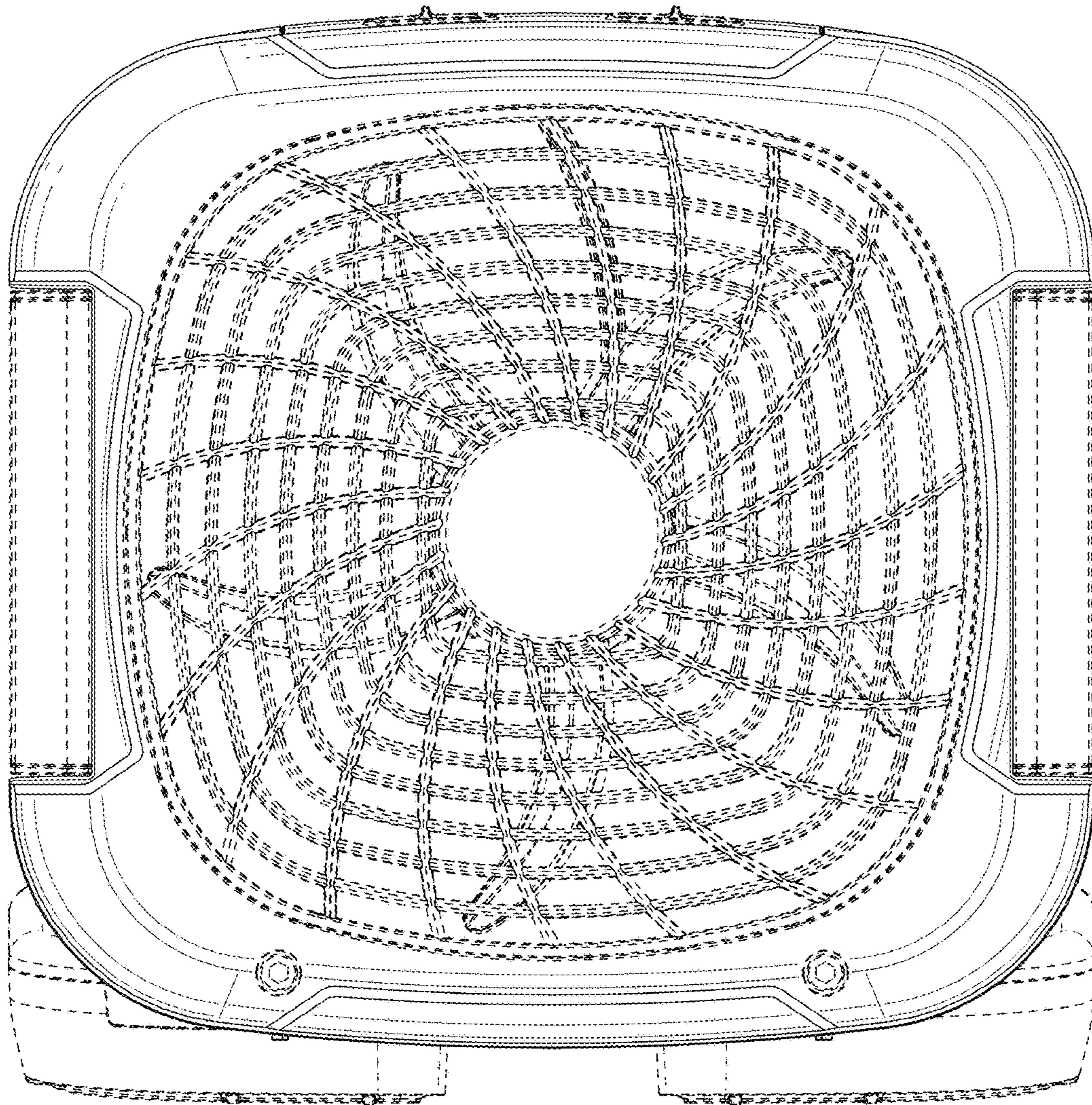


FIG. 3

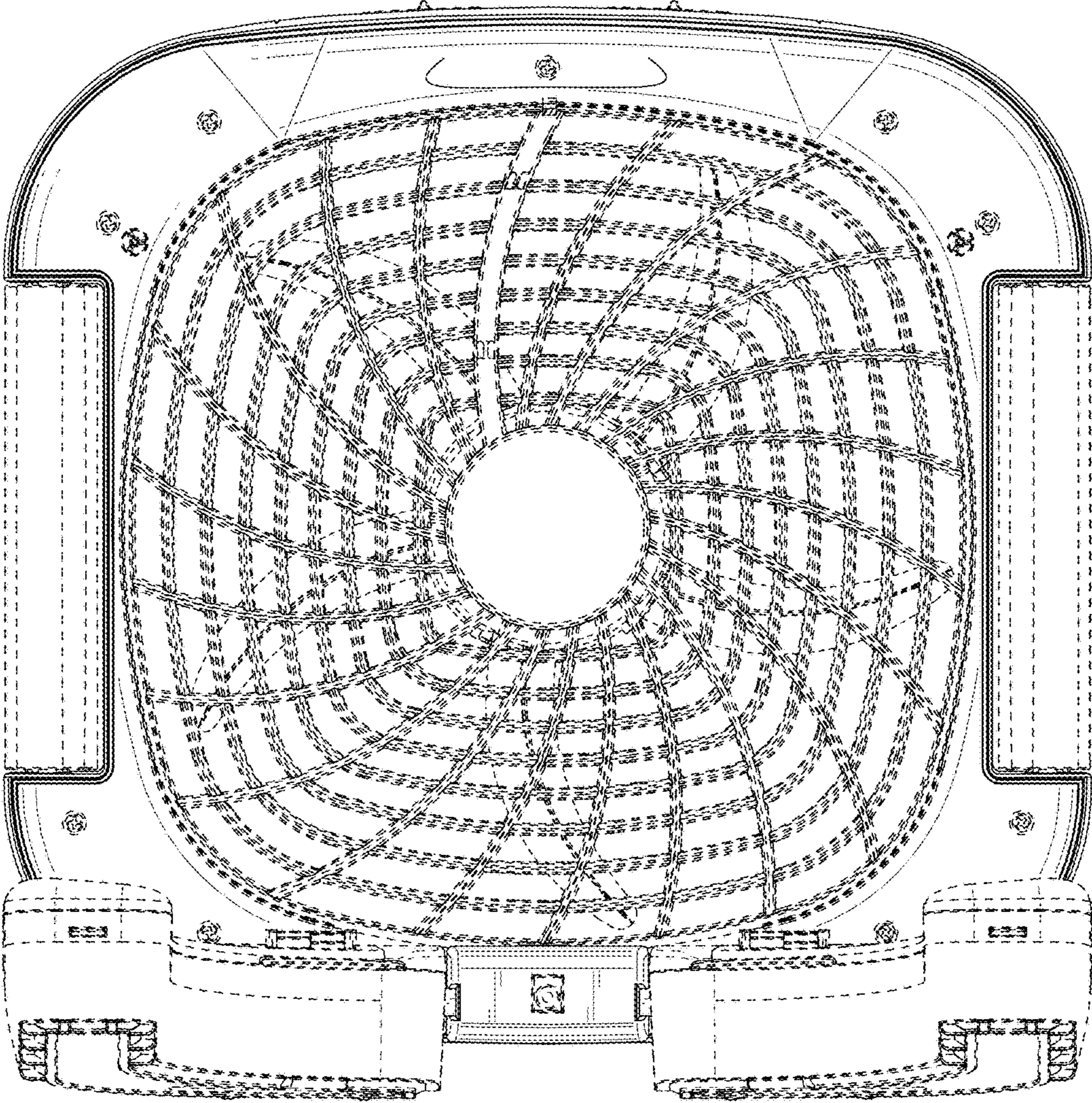


FIG. 4

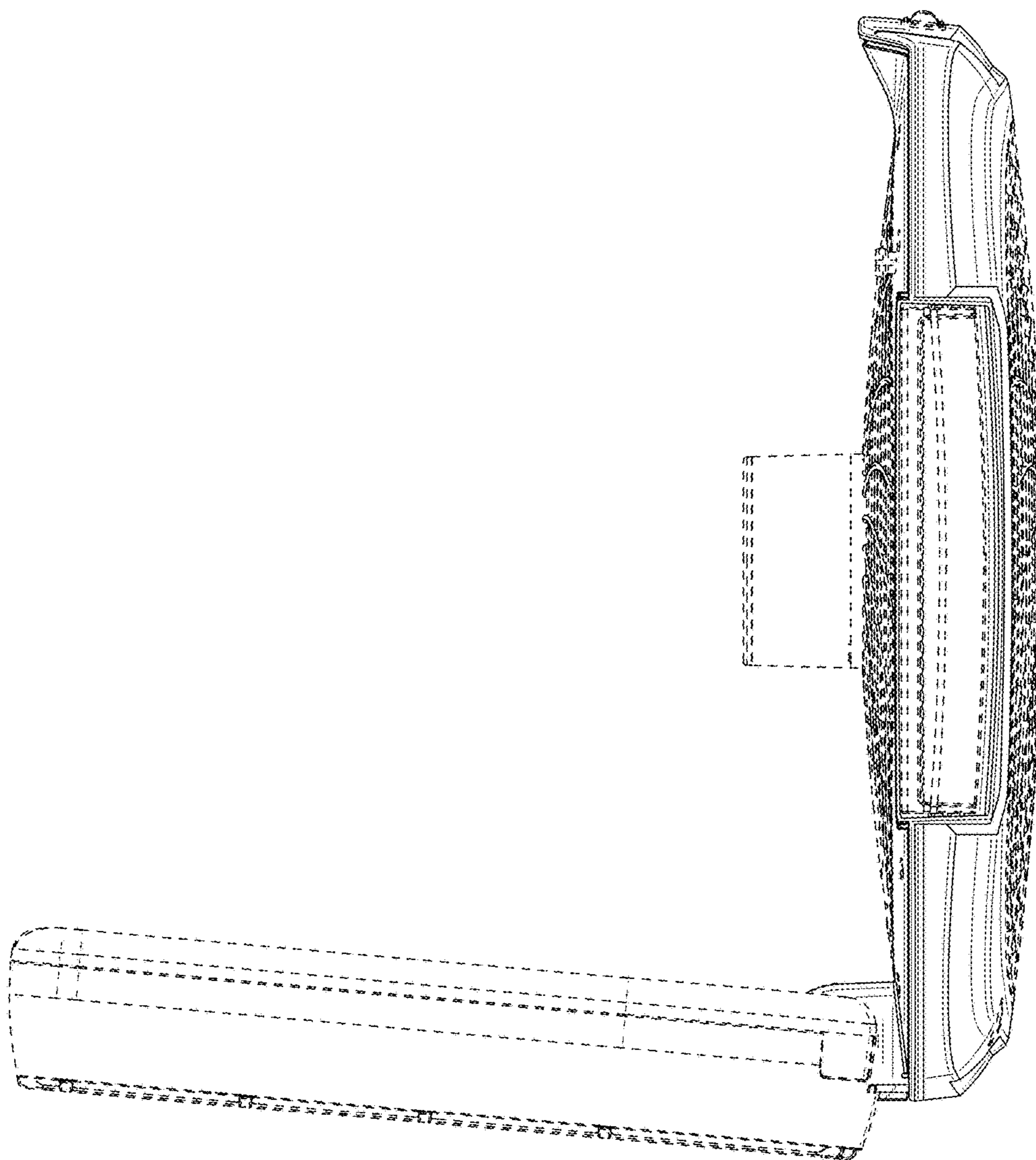


FIG. 5

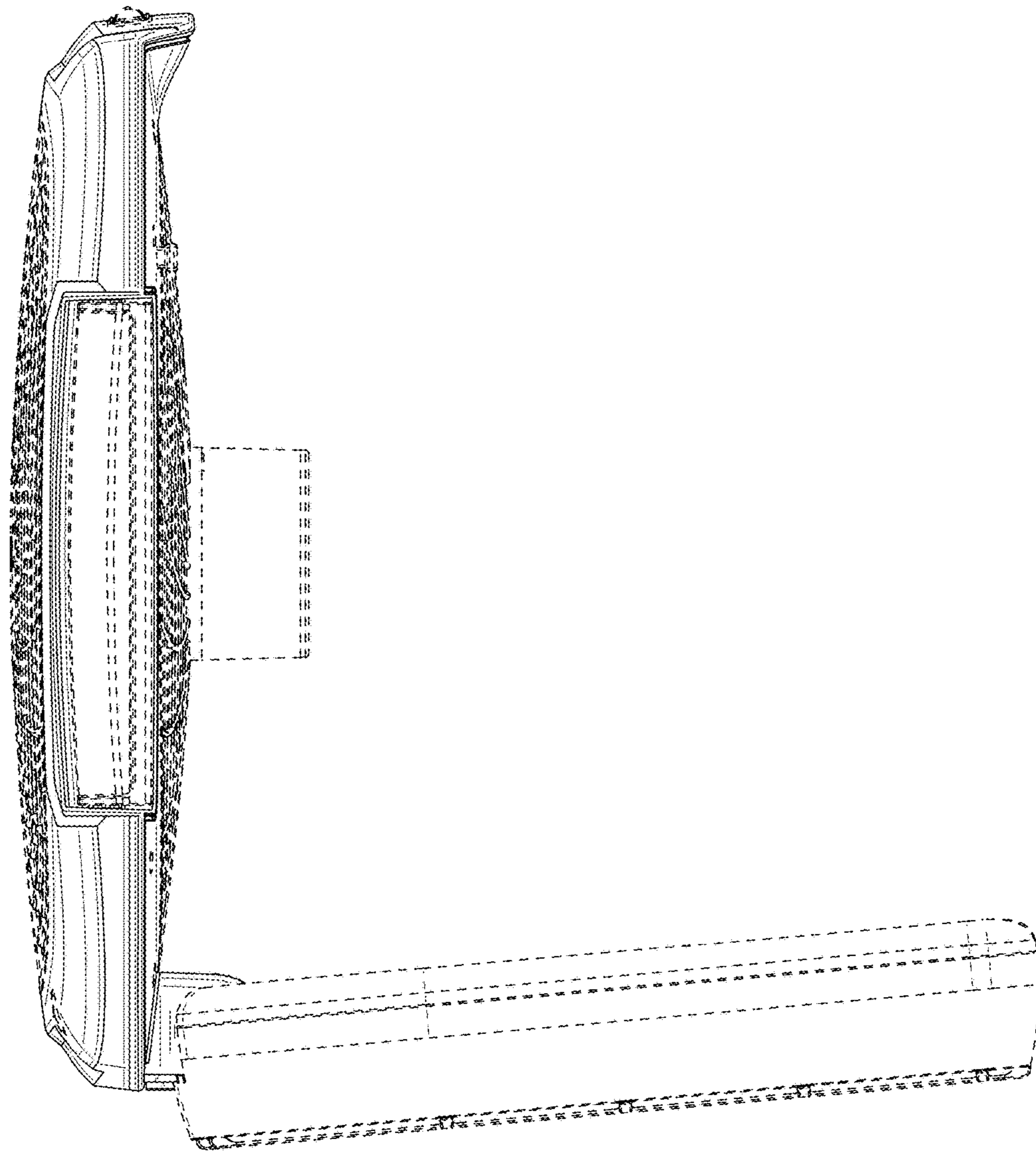


FIG. 6

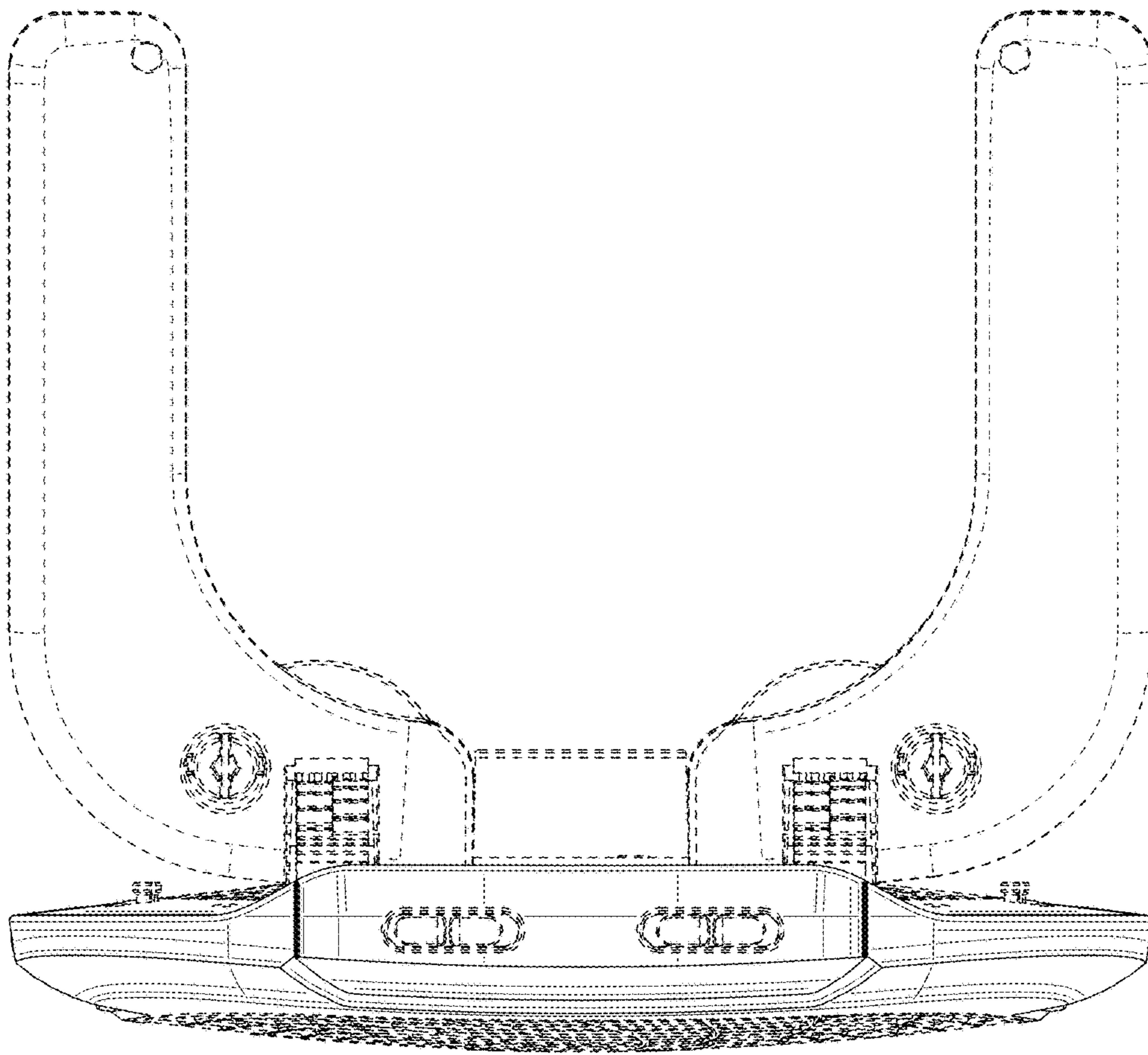


FIG. 7



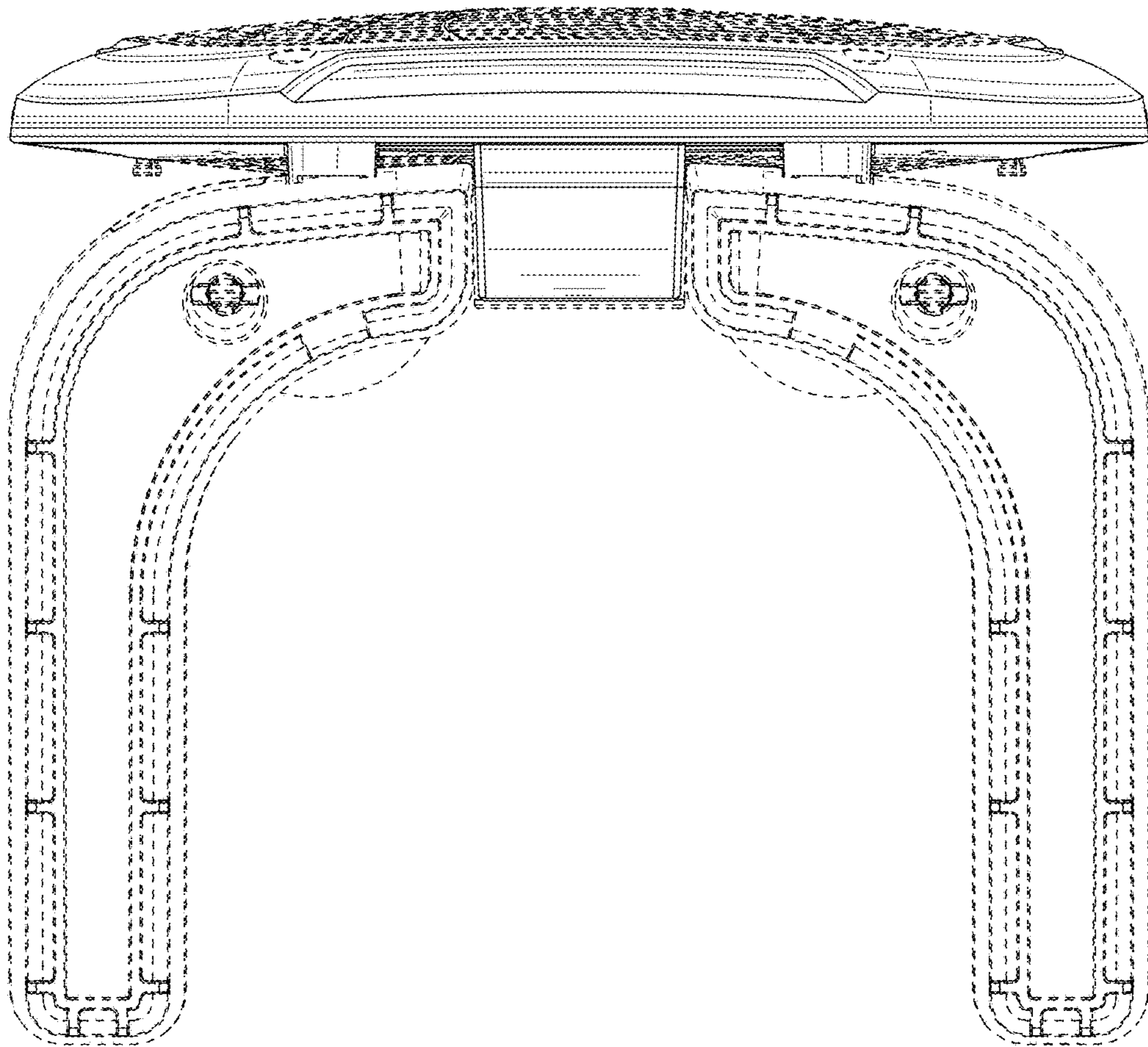


FIG. 8

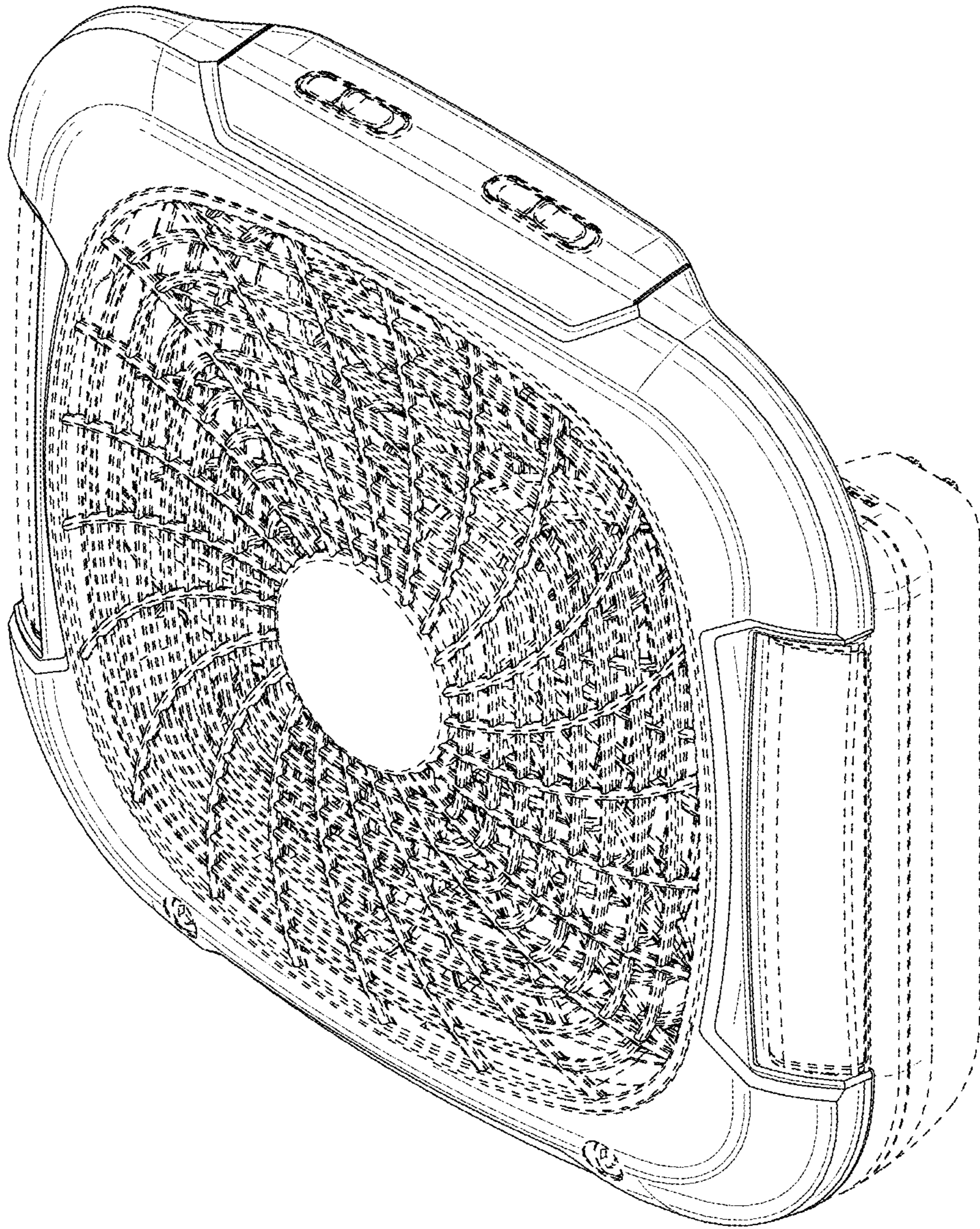


FIG. 9

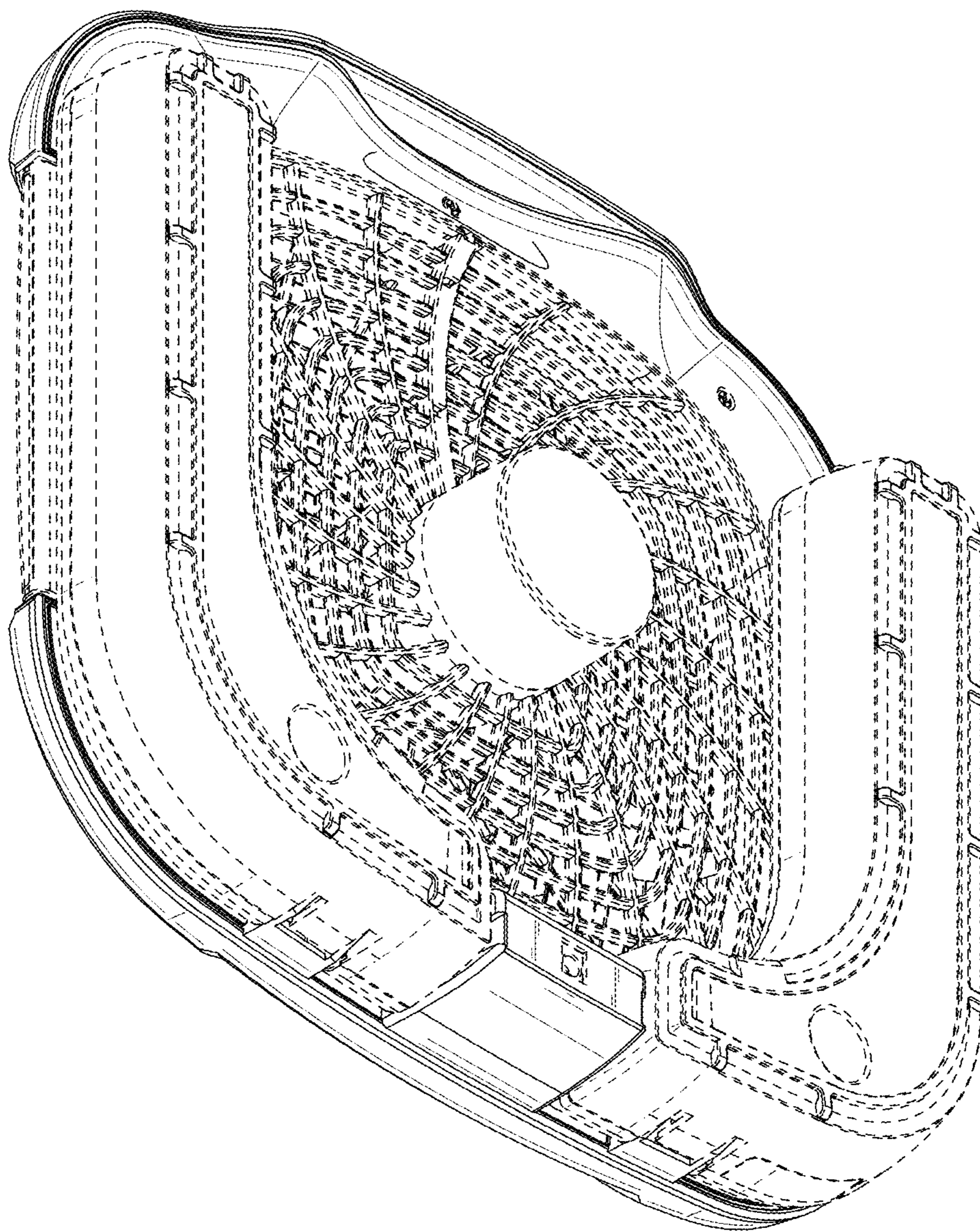


FIG. 10

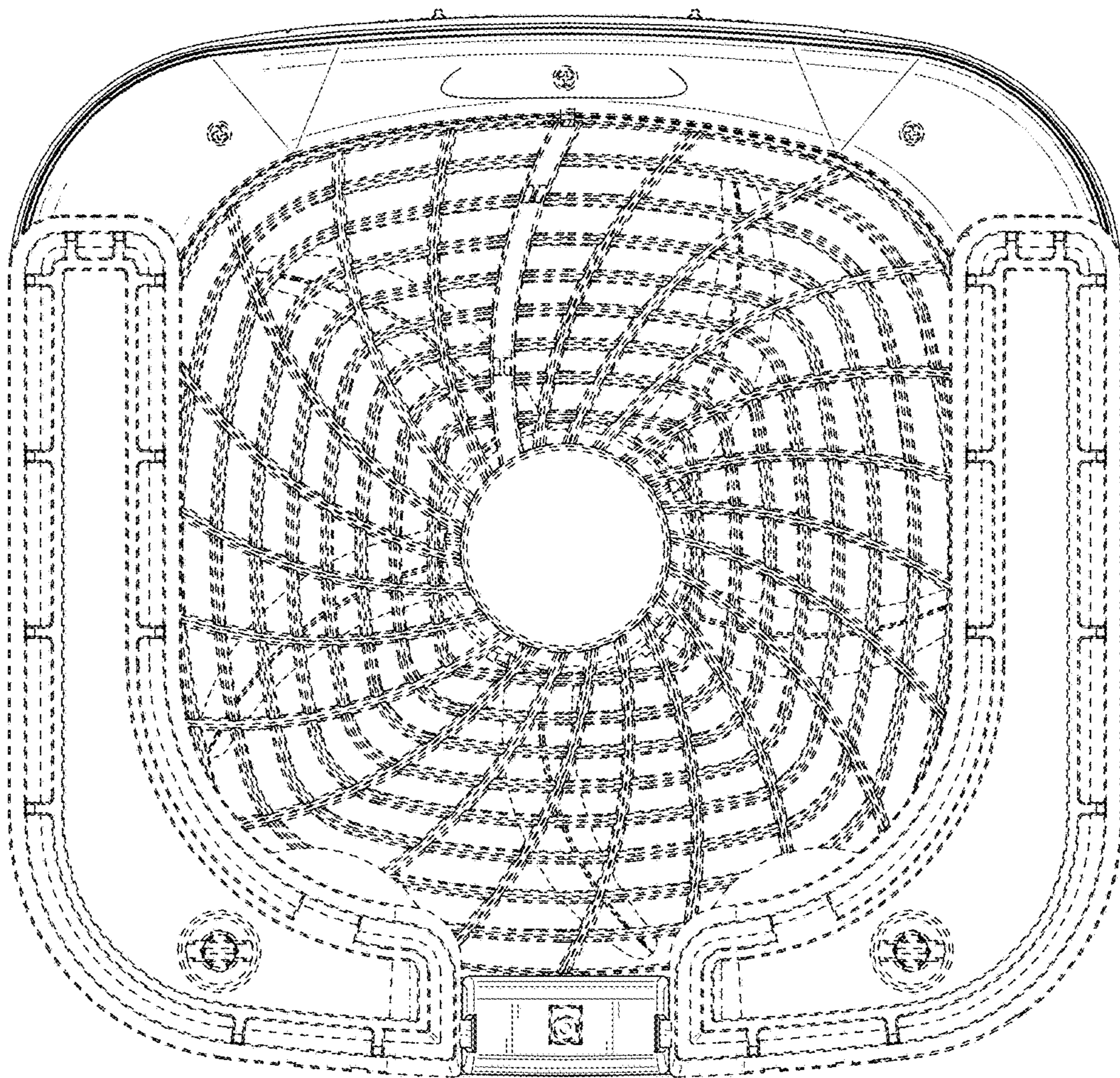


FIG. 11