



US00D818106S

(12) **United States Design Patent**
Junkel et al.

(10) **Patent No.:** **US D818,106 S**

(45) **Date of Patent:** **** May 15, 2018**

- (54) **FAN**
- (71) Applicant: **O2COOL, LLC**, Chicago, IL (US)
- (72) Inventors: **Eric F. Junkel**, Mount Prospect, IL (US); **Michael Ksiazek**, Burr Ridge, IL (US); **Oliver Breit**, Discovery Bay (HK); **Lars Junker**, Kowloon (HK)
- (73) Assignee: **O2COOL, LLC**, Chicago, IL (US)
- (**) Term: **15 Years**
- (21) Appl. No.: **29/596,596**
- (22) Filed: **Mar. 9, 2017**
- (51) **LOC (11) Cl.** **23-04**
- (52) **U.S. Cl.**
USPC **D23/382**
- (58) **Field of Classification Search**
USPC D23/370–379, 381–385, 411–414, 360, D23/314, 335, 332; D26/59, 106, 61–62, D26/104, 63–65; D32/15
CPC F04D 5/00; F04D 27/00; F24H 3/04
See application file for complete search history.

(56) **References Cited**

U.S. PATENT DOCUMENTS

D387,151 S *	12/1997	Fok	D23/332
D429,326 S *	8/2000	Fok	D23/332
D458,361 S *	6/2002	Melwani	D23/379
D564,084 S *	3/2008	Chen	D23/382
D566,260 S *	4/2008	Chen	D23/382
D610,671 S *	2/2010	Zhuang	D23/382
D683,010 S *	5/2013	Chen	D23/370
D689,599 S *	9/2013	Herbst	D23/382

D689,600 S *	9/2013	Herbst	D23/382
D750,212 S *	2/2016	Herbst	D23/382
D752,201 S *	3/2016	Herbst	D23/370
2013/0315727 A1 *	11/2013	Ho	F04D 25/166 415/213.1

* cited by examiner

Primary Examiner — Janice Hallmark

(74) *Attorney, Agent, or Firm* — Thompson Coburn LLP; Alan H. Norman

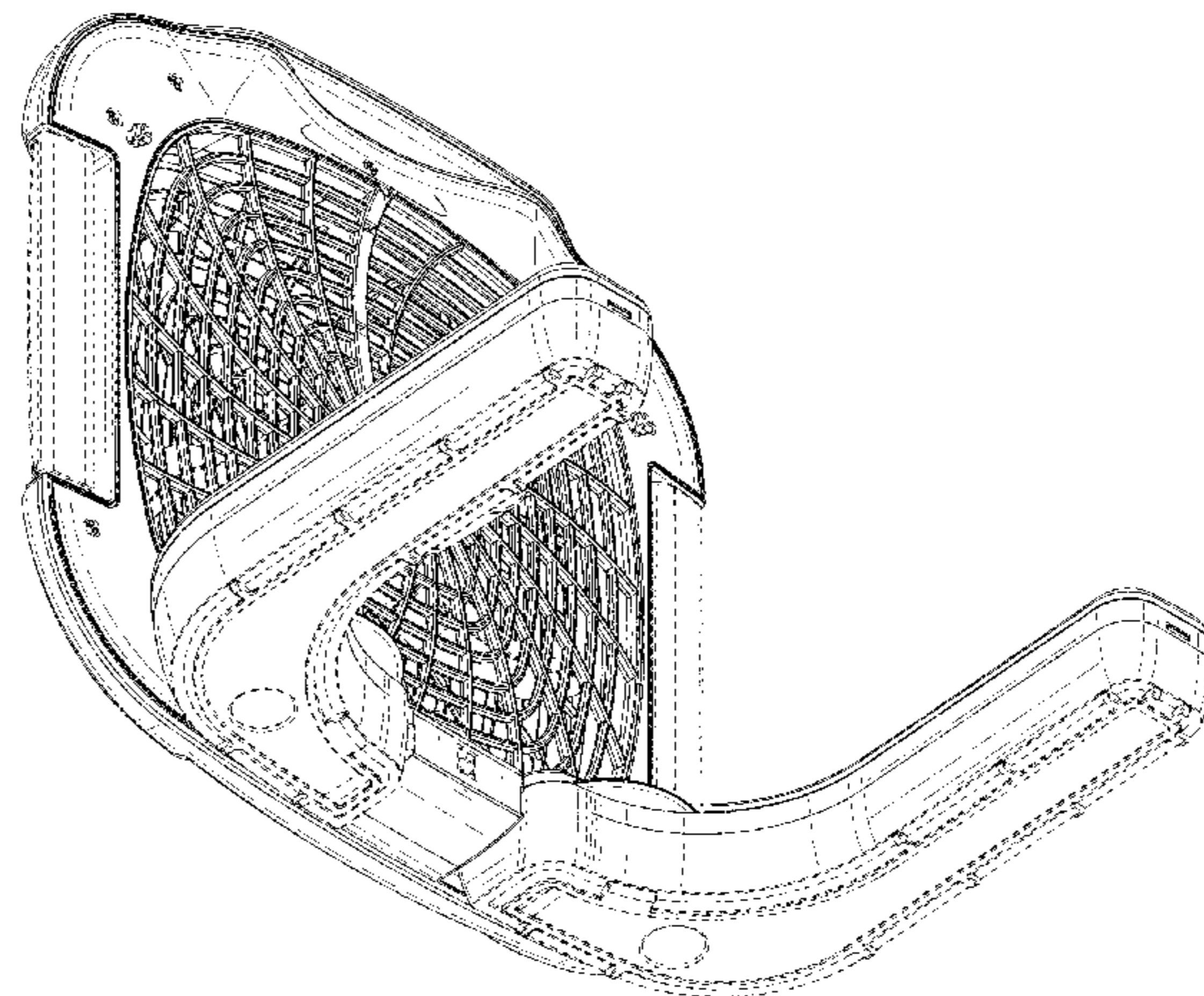
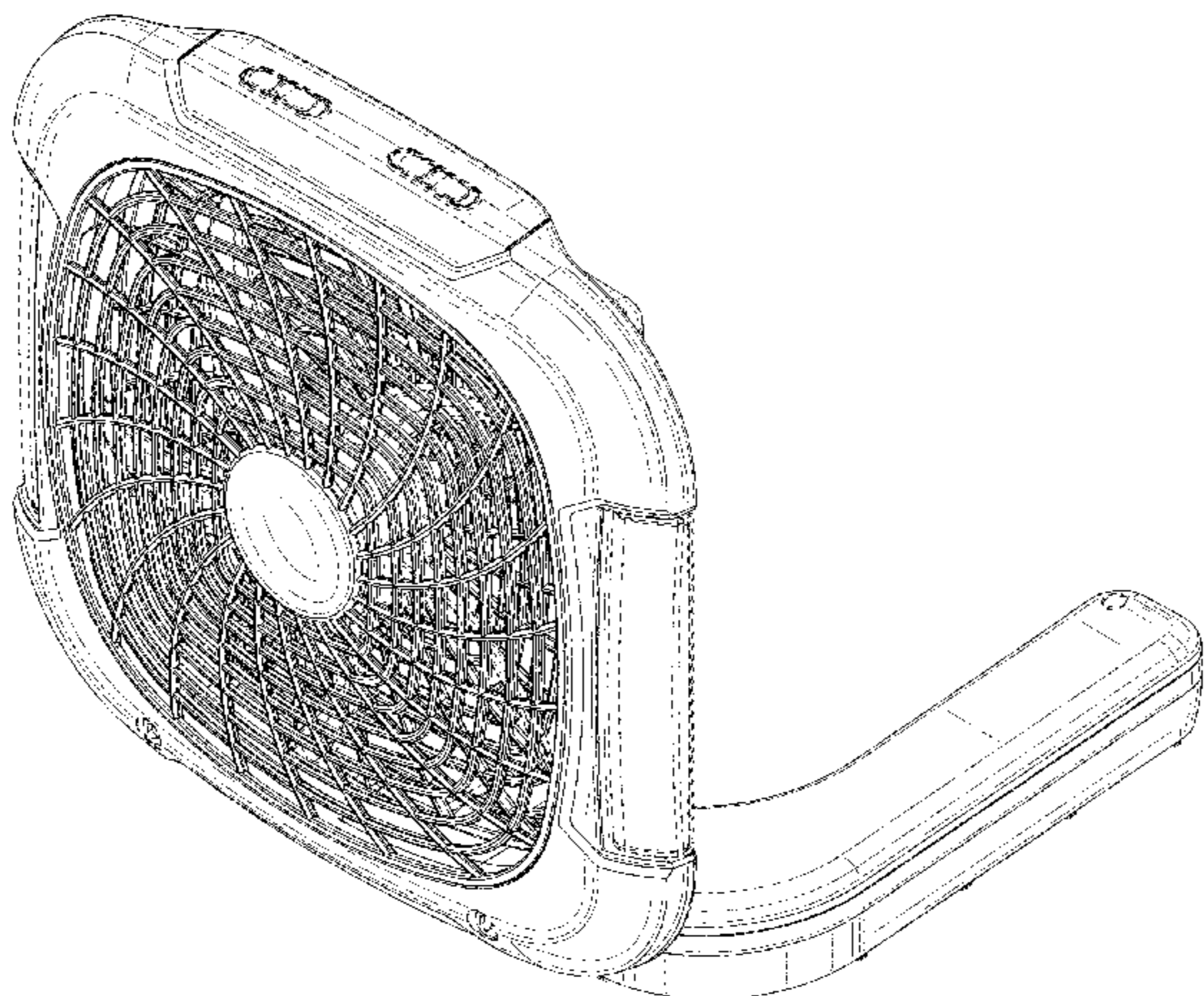
(57) **CLAIM**

The ornamental design for a fan, as shown and described.

DESCRIPTION

FIG. 1 is a perspective view of the fan of our new design in a first configuration;
 FIG. 2 is an alternate perspective view of the fan of FIG. 1;
 FIG. 3 is a front view of the fan of FIG. 1;
 FIG. 4 is a rear view of the fan of FIG. 1;
 FIG. 5 is a right side view of the fan of FIG. 1;
 FIG. 6 is a left side view of the fan of FIG. 1;
 FIG. 7 is a top plan view of the fan of FIG. 1;
 FIG. 8 is a bottom plan view of the fan of FIG. 1;
 FIG. 9 is a perspective view of the fan of our new design in a second configuration;
 FIG. 10 is an alternate perspective view of the fan of FIG. 9; and,
 FIG. 11 is a rear view of the fan of FIG. 9.
 The broken lines immediately adjacent the shaded areas represent the bounds of the claimed design while all other broken lines are directed to environment; the broken lines form no part of the claimed design.

1 Claim, 11 Drawing Sheets



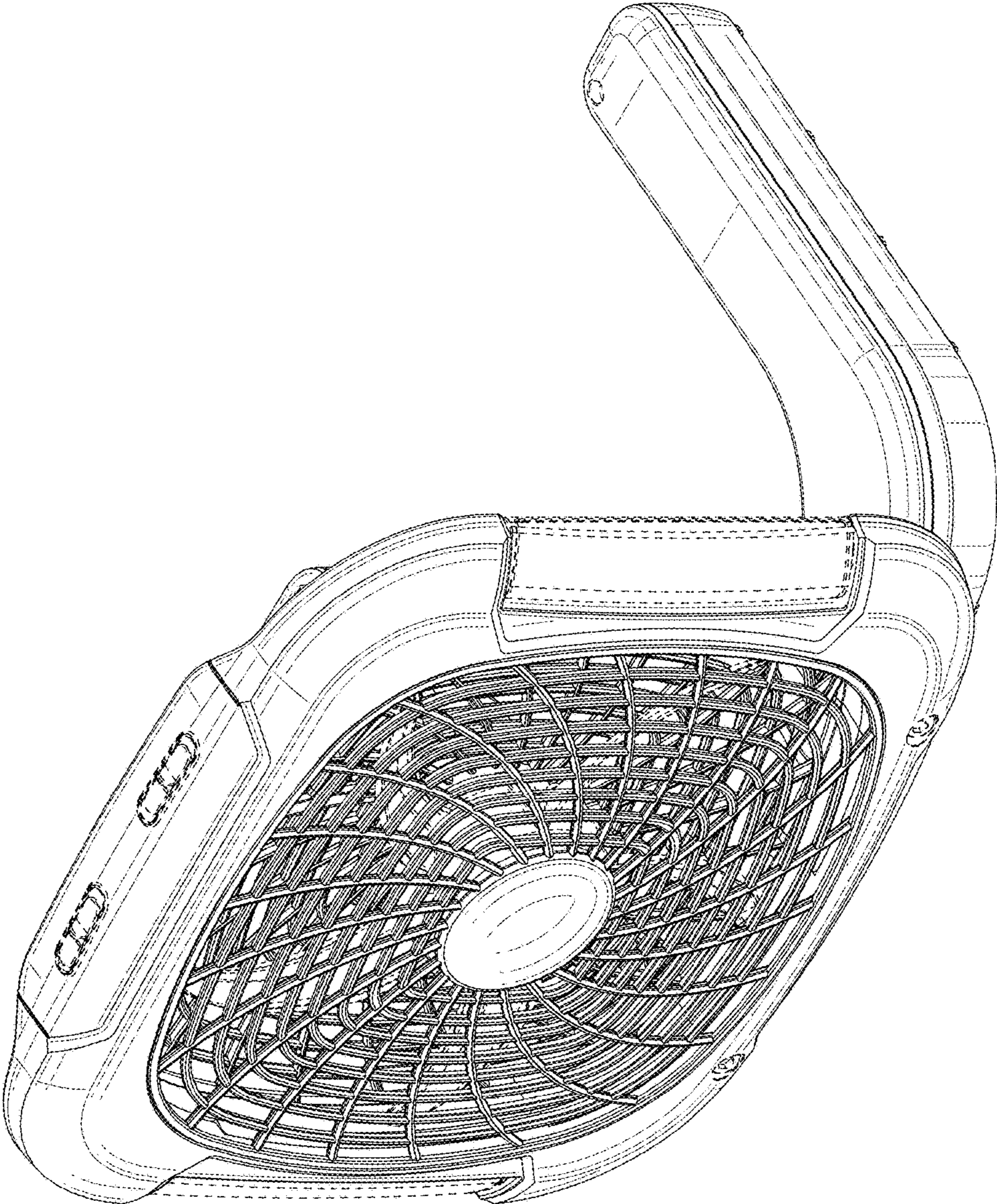


FIG. 1

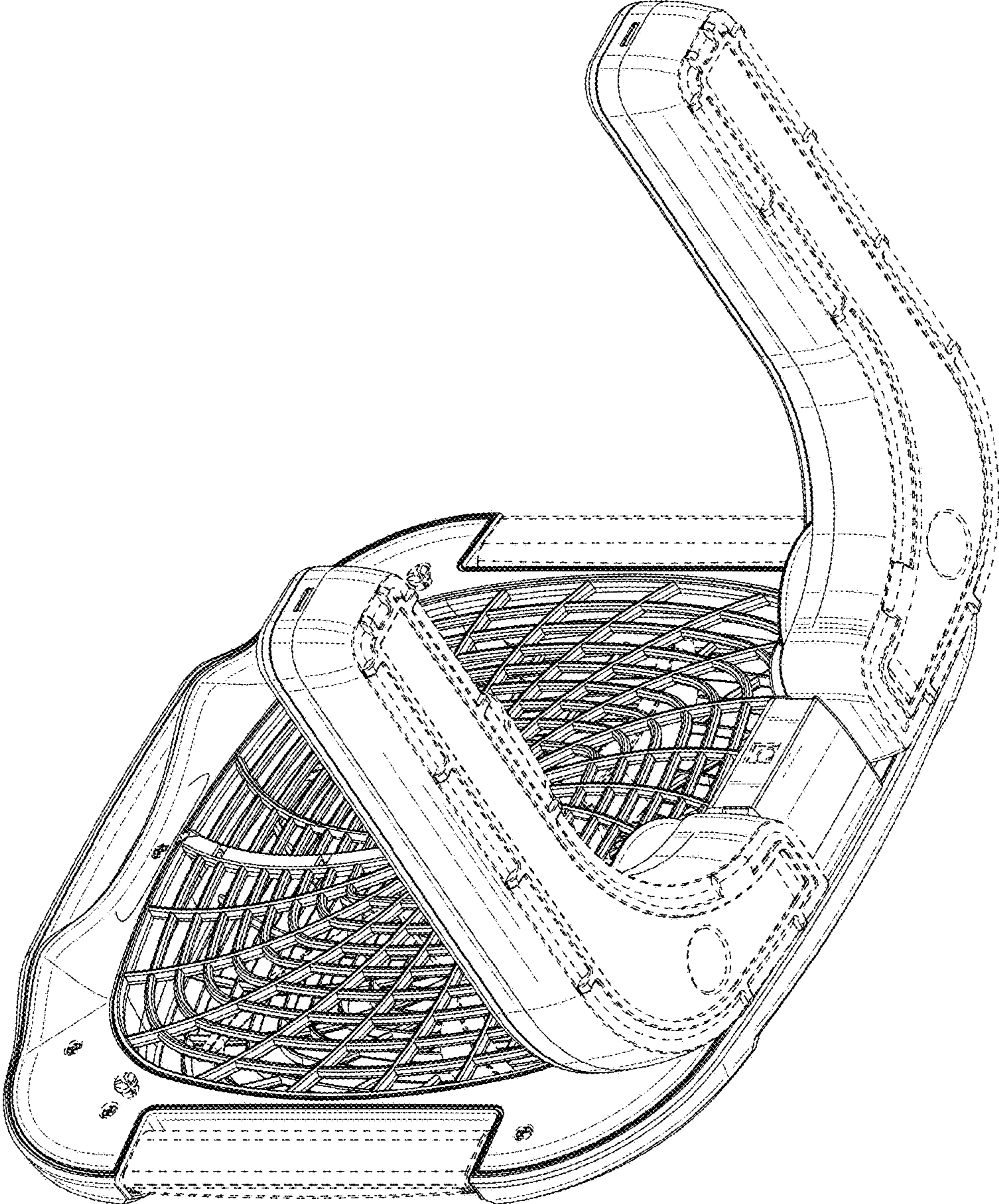


FIG. 2

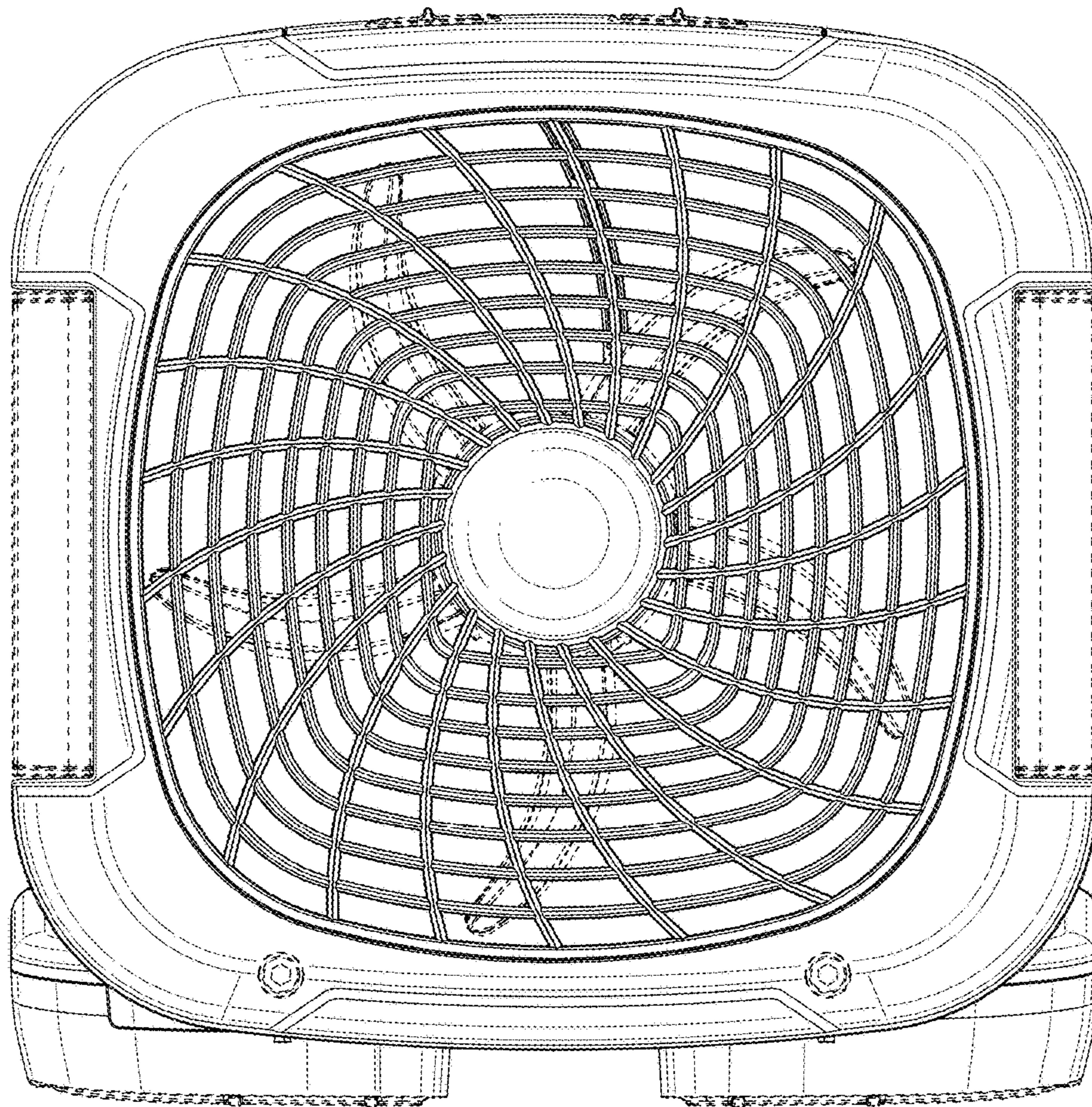


FIG. 3

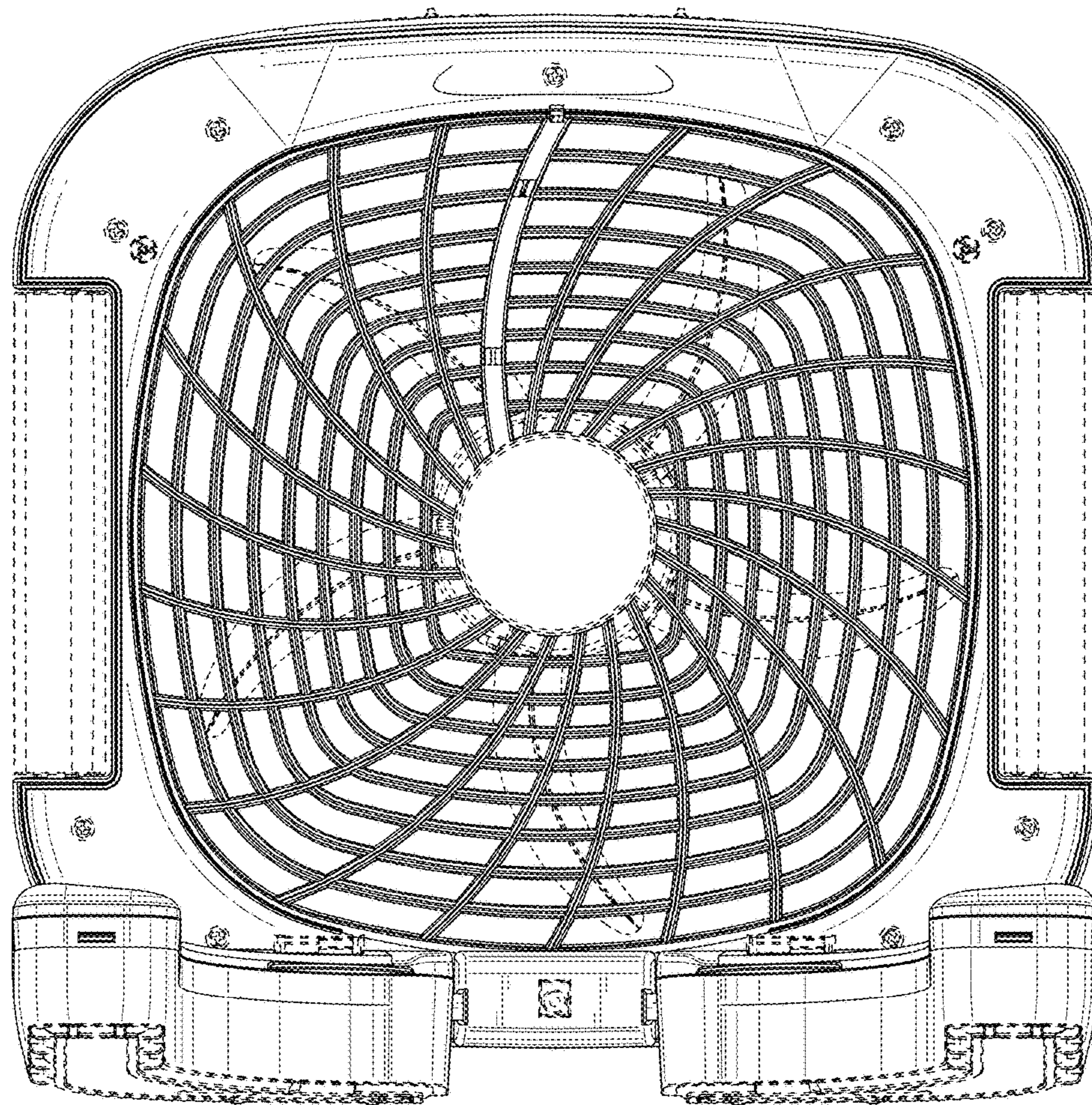


FIG. 4

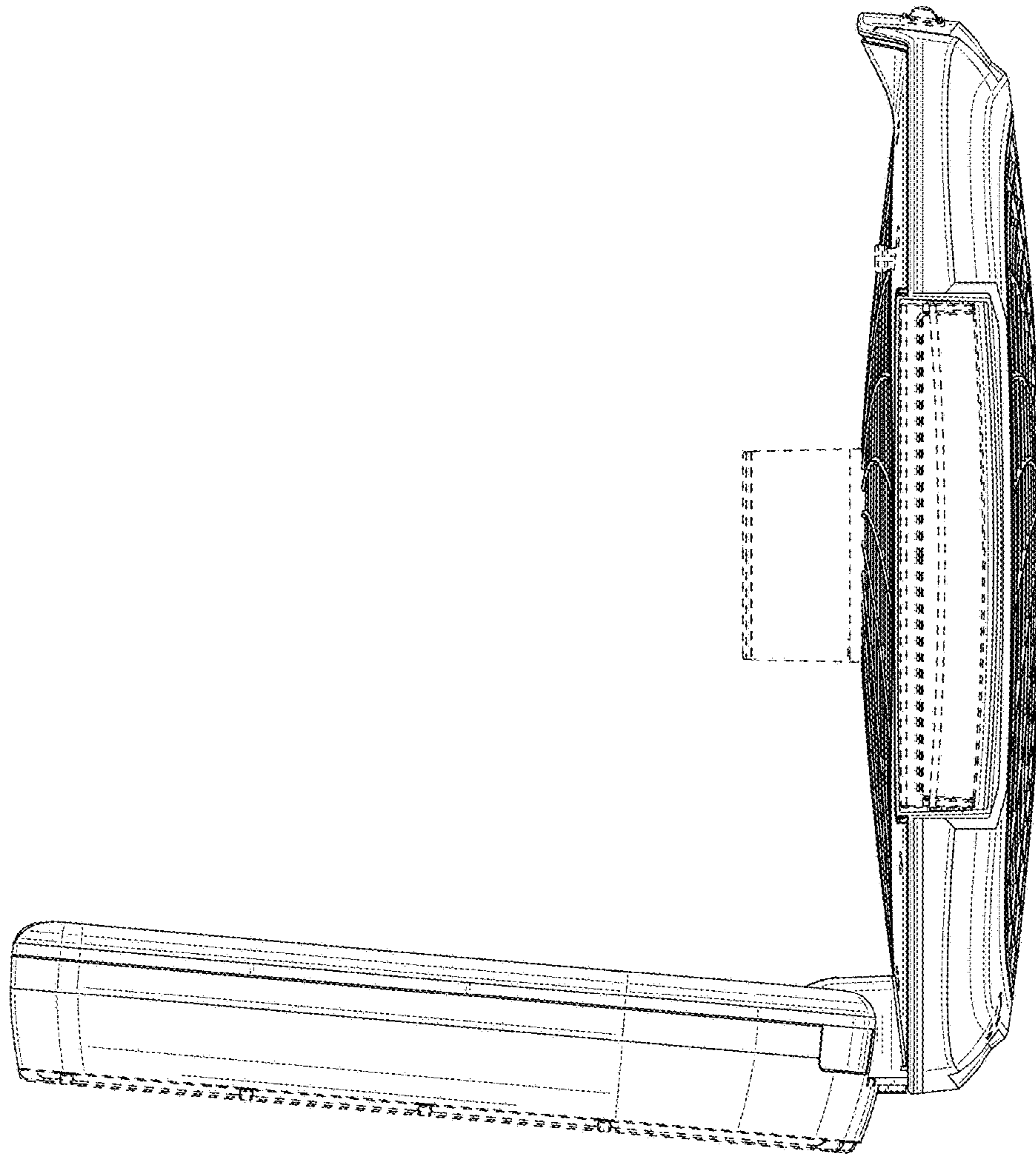


FIG. 5

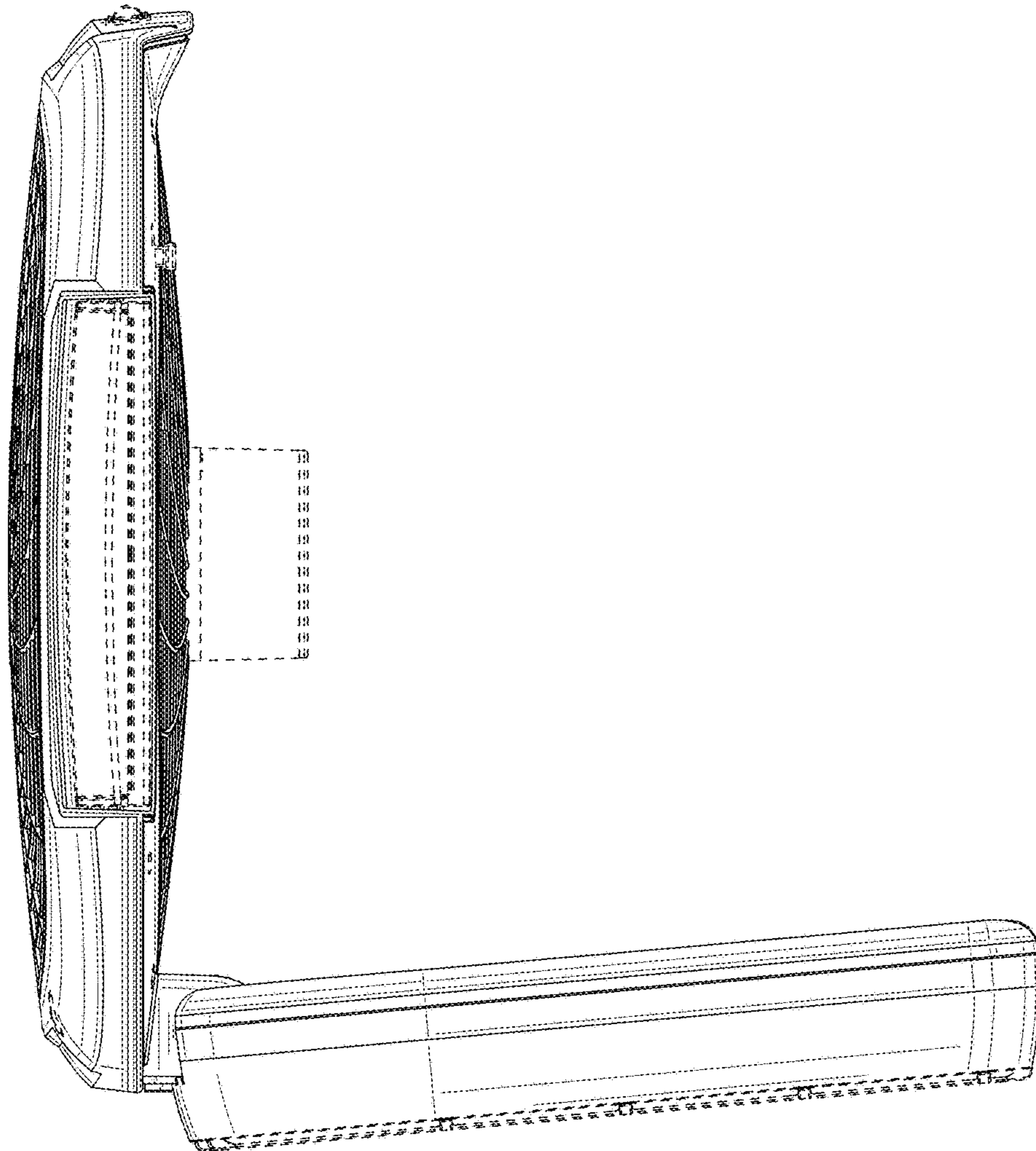


FIG. 6

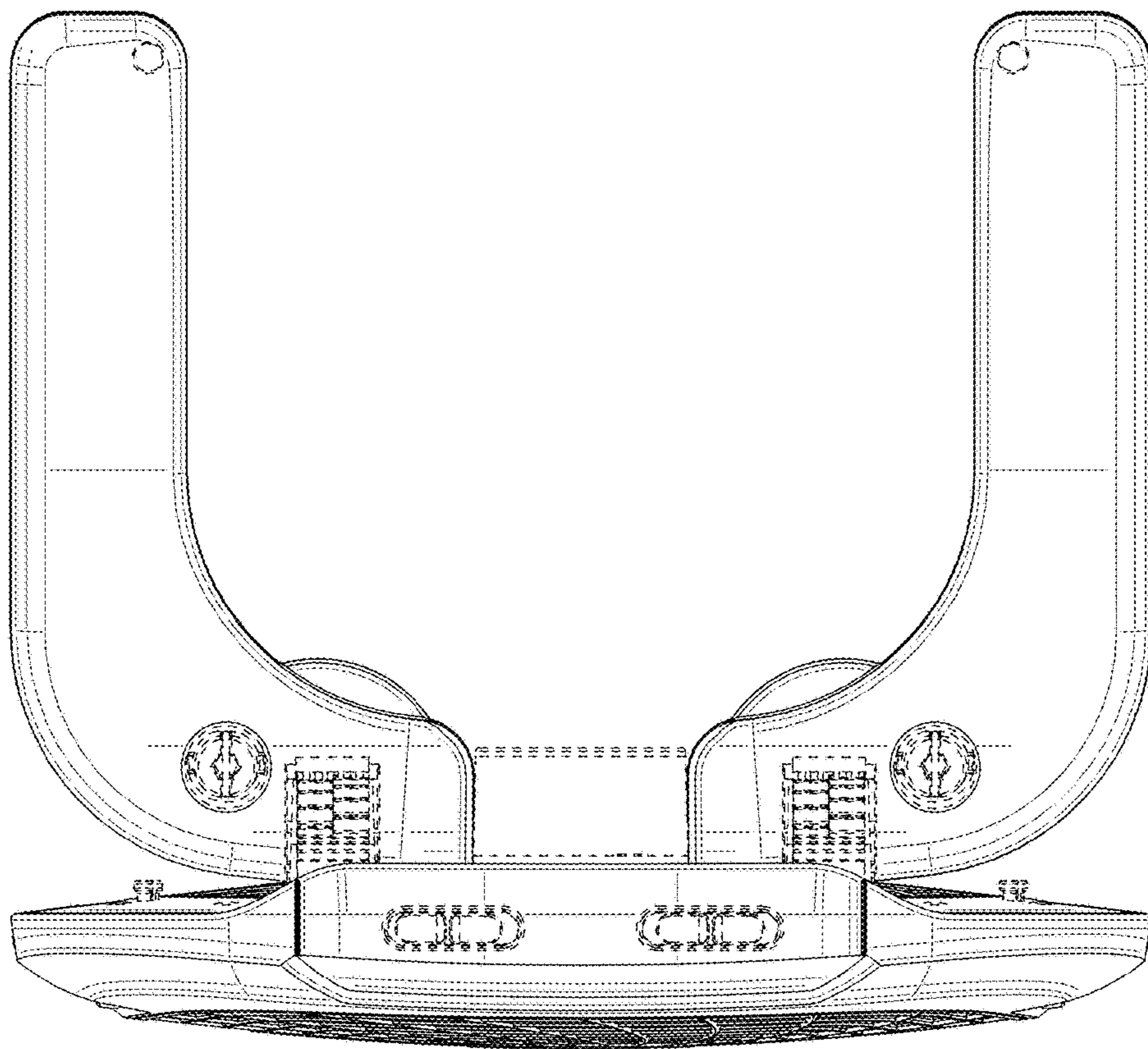


FIG. 7

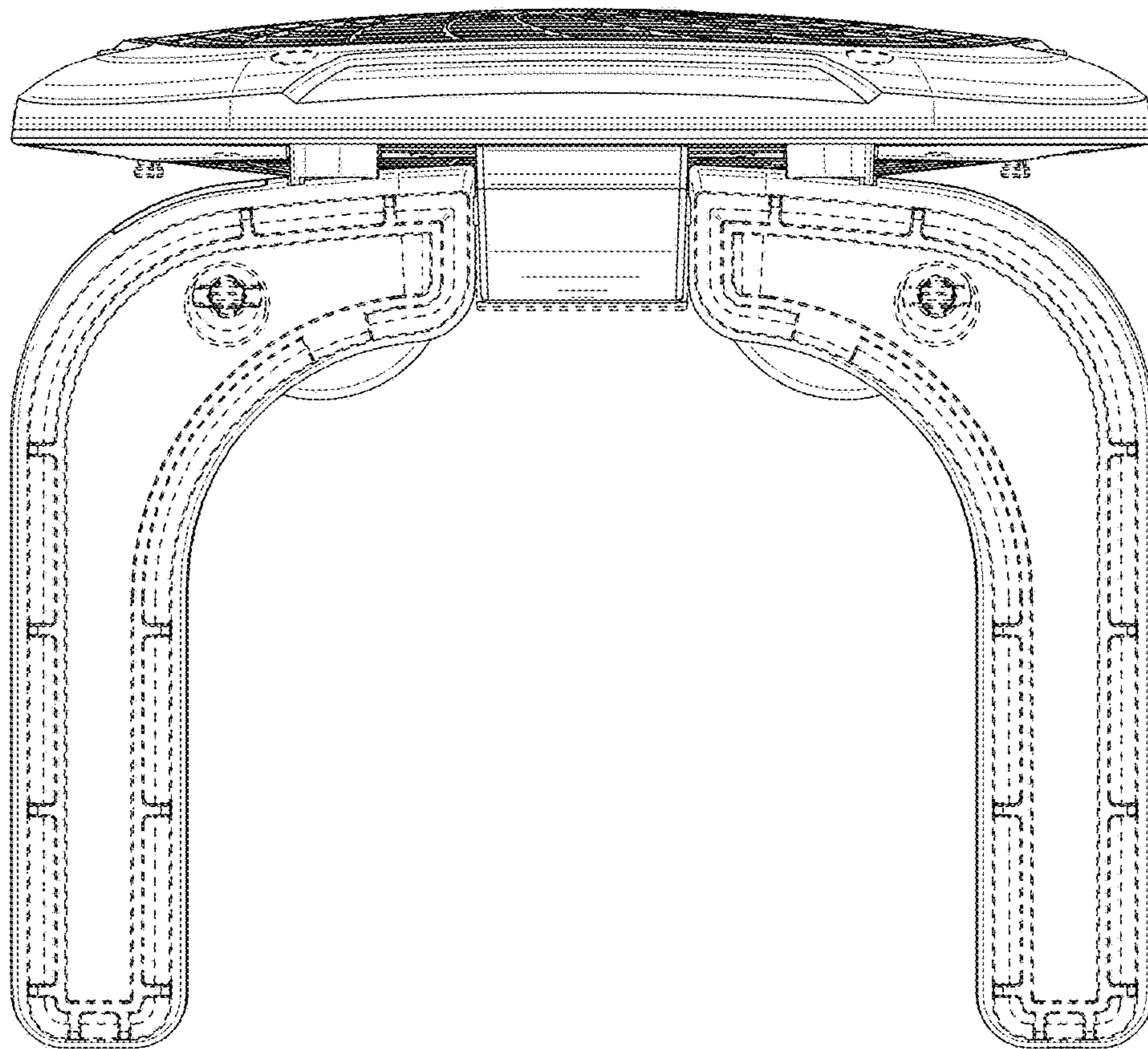


FIG. 8

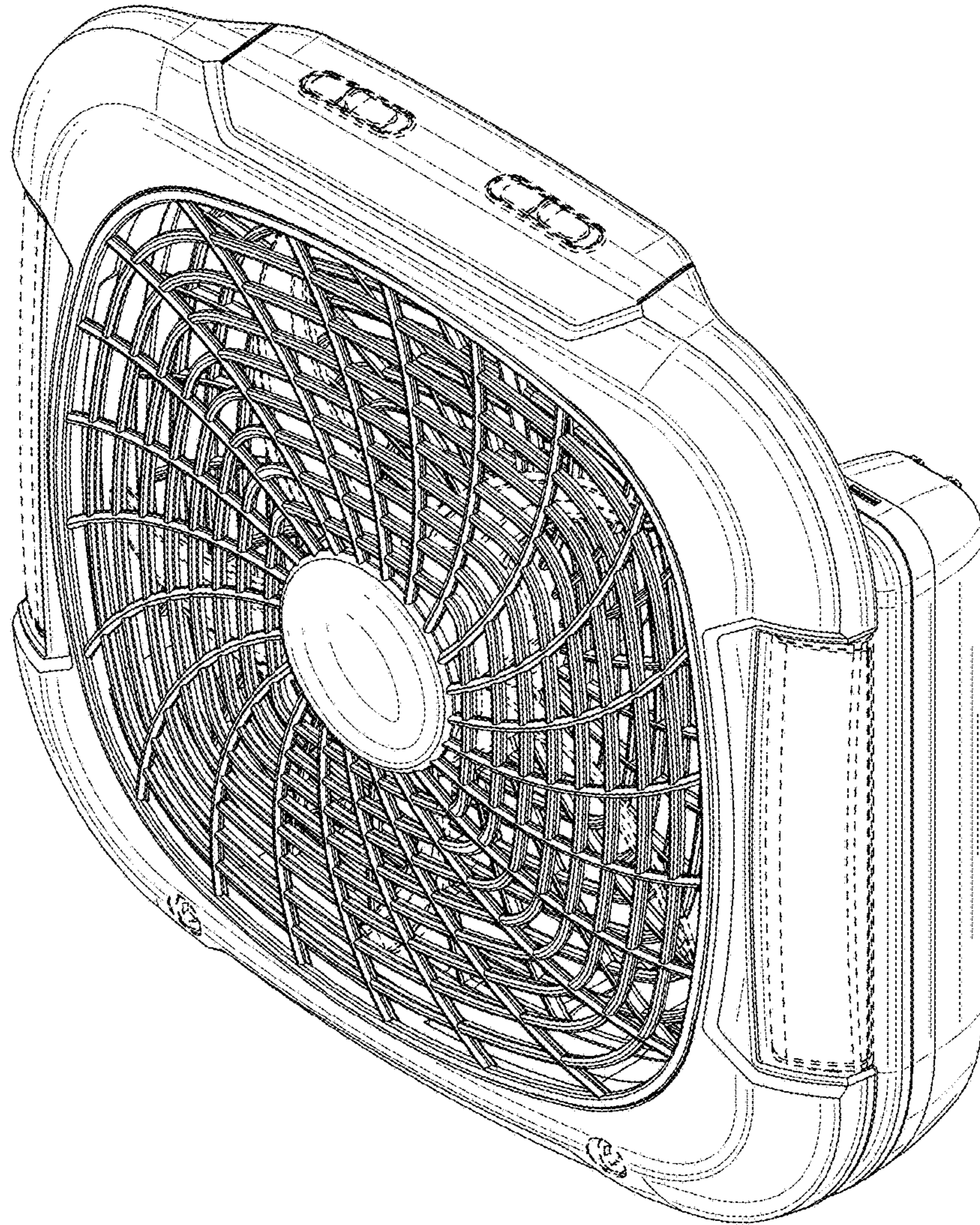


FIG. 9

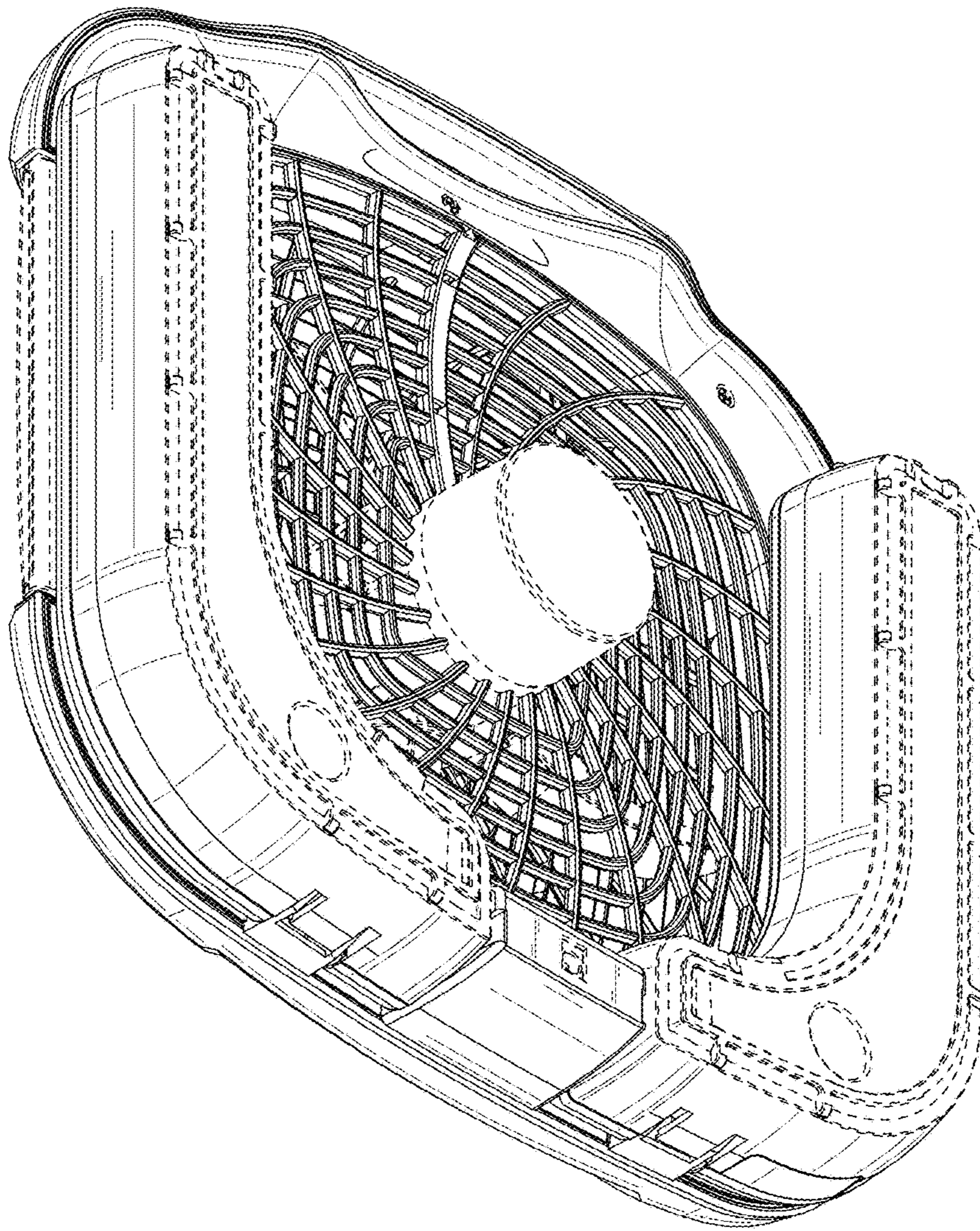


FIG. 10

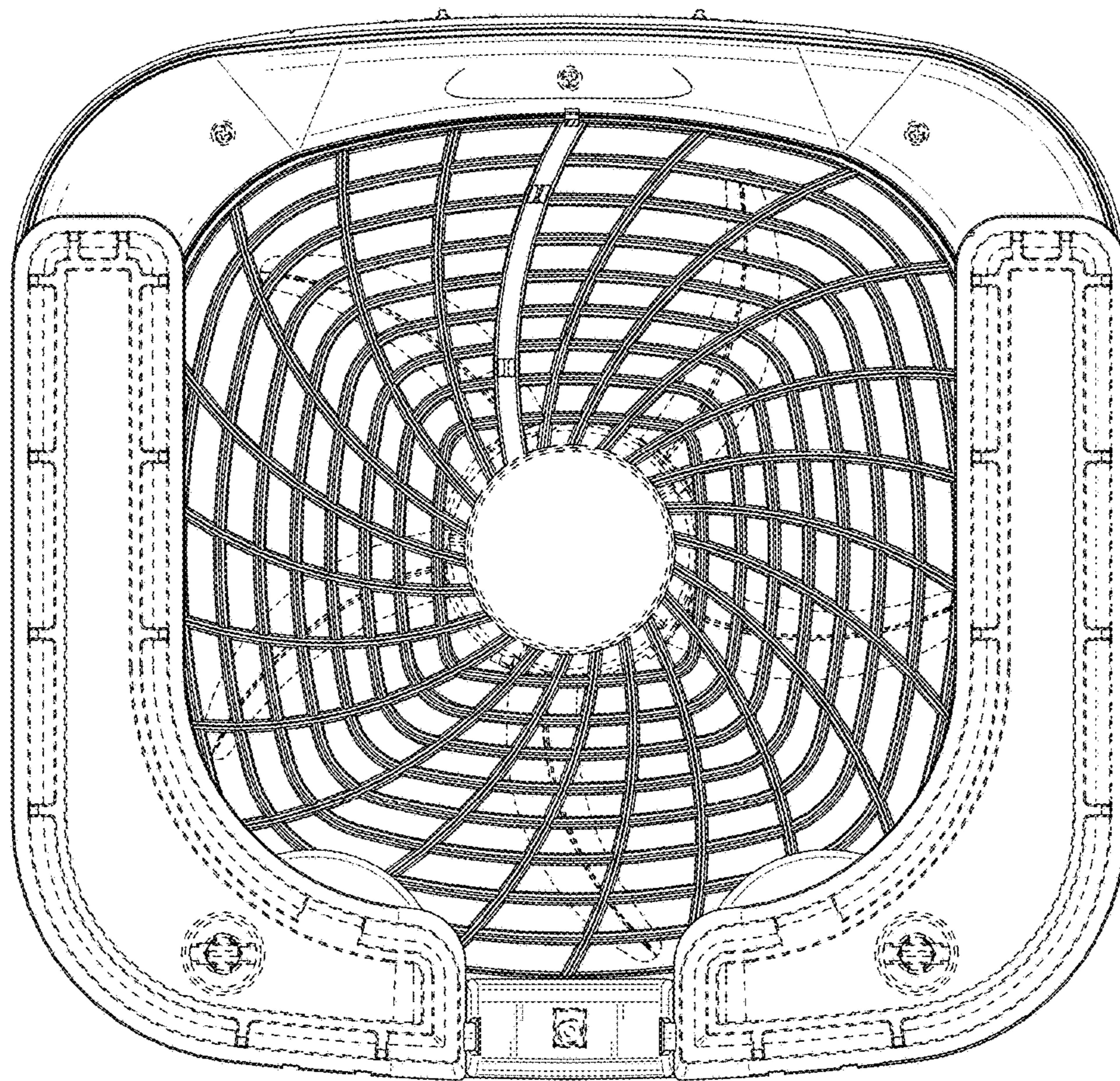


FIG. 11