



US00D818104S

(12) **United States Design Patent** (10) **Patent No.:** **US D818,104 S**  
**Holmes et al.** (45) **Date of Patent:** **\*\* May 15, 2018**

(54) **CEILING FAN**

OTHER PUBLICATIONS

- (71) Applicant: **HUNTER FAN COMPANY**,  
Memphis, TN (US)
- (72) Inventors: **Christine Holmes**, Memphis, TN (US);  
**Dana Vajen Habig**, Cincinnati, OH  
(US)
- (73) Assignee: **Hunter Fan Company**, Memphis, TN  
(US)
- (\*\*) Term: **15 Years**
- (21) Appl. No.: **29/581,601**
- (22) Filed: **Oct. 20, 2016**
- (51) **LOC (11) Cl.** ..... **23-04**
- (52) **U.S. Cl.**  
USPC ..... **D23/377; D23/385**
- (58) **Field of Classification Search**  
USPC ..... **D23/370, 377, 379, 385, 411; D26/59**  
CPC ..... **F04D 25/088; F21V 33/0096**  
See application file for complete search history.

<http://www.craftmade.com/Craftmade-MOR54ESP3-Espresso-Ceiling-Fan.HTM>, Craftmade—MOR54ESP3—Moorestad 54" Ceiling Fan Blades Included in Espresso with Matte Opal Glass, MOR54ESP3, accessed Mar. 8, 2016.  
[http://www.fanimation.com/products/index\\_php/fans/kaya.html](http://www.fanimation.com/products/index_php/fans/kaya.html), Kaya, FP7963, accessed Mar. 8, 2016.  
<http://www.minkagroup.net/products/f582-orb>, Rainamn, F582-ORB, accessed Mar. 8, 2016.  
[http://www.amazon.com/gp/product/B008HF6OM8?keywords=possini%20euro%20edge&qid=1444139700&ref\\_=sr\\_1\\_1&sr=8-1](http://www.amazon.com/gp/product/B008HF6OM8?keywords=possini%20euro%20edge&qid=1444139700&ref_=sr_1_1&sr=8-1), 60" Possini Euro Edge II Oil-Rubbed Bronze Ceiling Fan, accessed Mar. 8, 2016.

(Continued)

*Primary Examiner* — Janice Hallmark  
 (74) *Attorney, Agent, or Firm* — McGarry Bair PC

(57) **CLAIM**

The ornamental design for a ceiling fan, as shown and described.

(56) **References Cited**

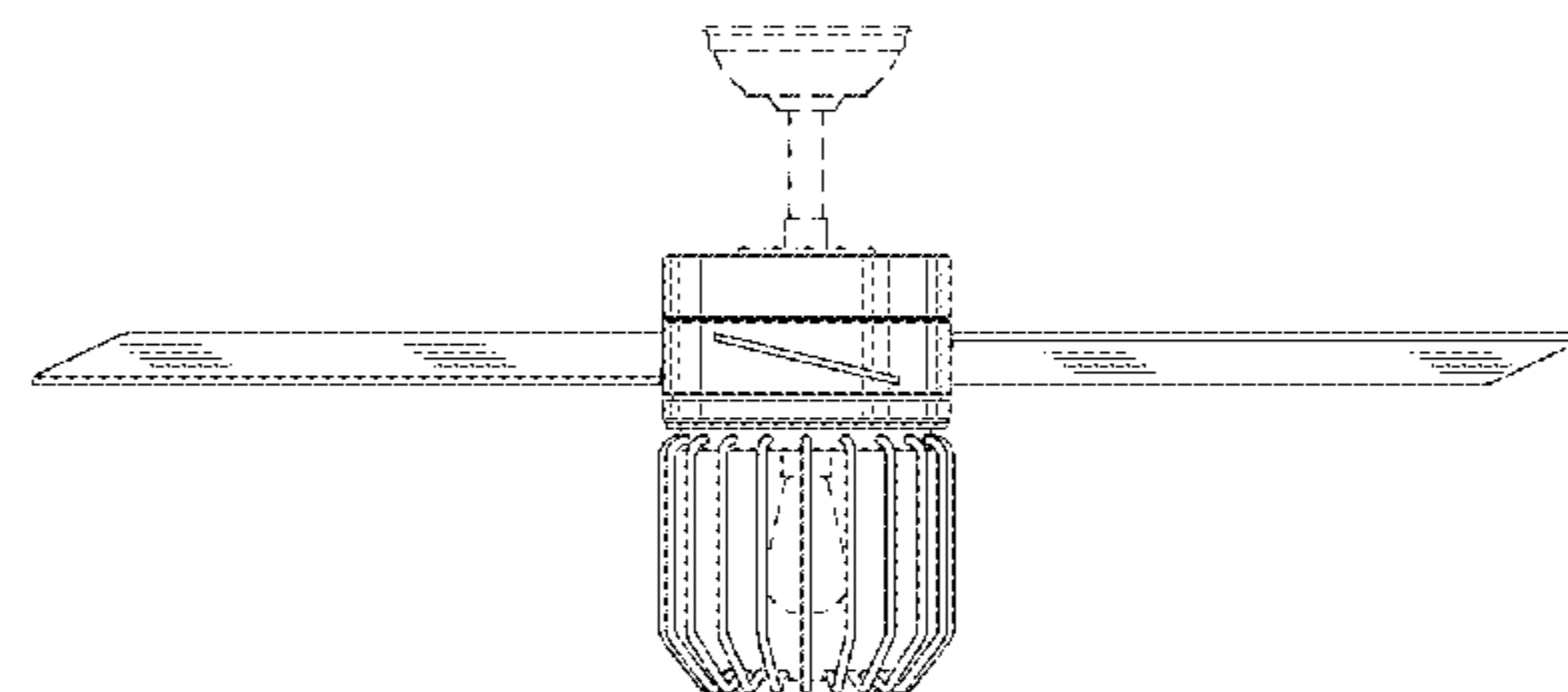
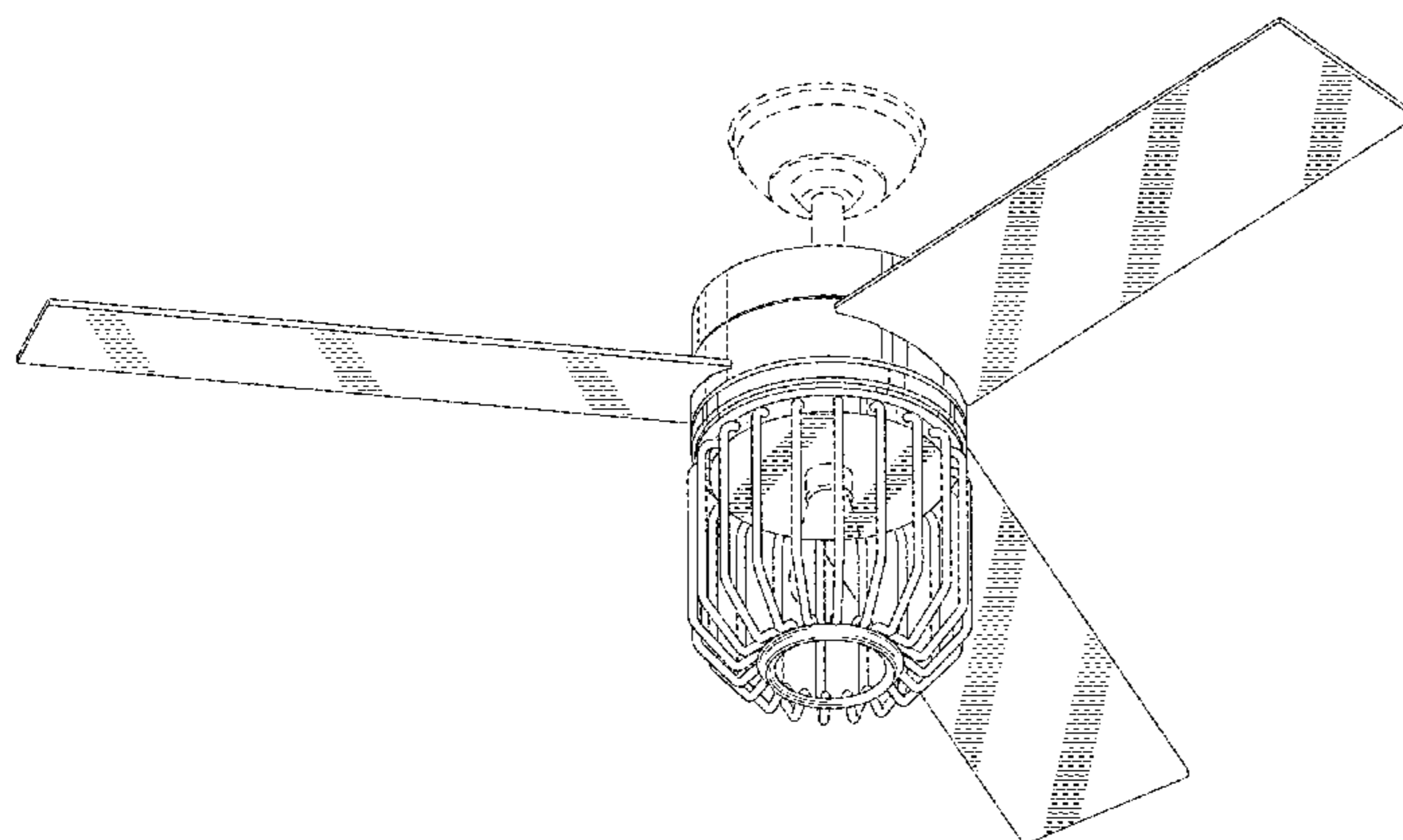
**DESCRIPTION**

U.S. PATENT DOCUMENTS

D345,790 S	4/1994	Caldwell	
D430,930 S *	9/2000	Zuege	D23/377
D449,396 S *	10/2001	Campbell	D26/59
D465,277 S	11/2002	Sonneman	
D476,411 S	6/2003	Friedes	
D517,675 S *	3/2006	Young	D23/377
D521,625 S *	5/2006	Young	D23/377
D522,643 S *	6/2006	Hidalgo	D23/377
D539,894 S *	4/2007	Bucher	D23/377
D555,779 S *	11/2007	Bucher	D23/377
D556,940 S	12/2007	Gajewski	
D710,489 S *	8/2014	Shurtleff	D23/377
D732,157 S *	6/2015	Lin	D23/377
2005/0207140 A1 *	9/2005	Srass	F04D 25/088 362/96

FIG. 1 is a top perspective view of a ceiling fan showing my new design;  
 FIG. 2 is a bottom perspective view of the ceiling fan of FIG. 1;  
 FIG. 3 is a top view of the ceiling fan of FIG. 1;  
 FIG. 4 is a bottom view of the ceiling fan of FIG. 1;  
 FIG. 5 is a front side view of the ceiling fan of FIG. 1;  
 FIG. 6 is a rear side view of the ceiling fan of FIG. 1;  
 FIG. 7 is a right side view of the ceiling fan of FIG. 1; and,  
 FIG. 8 is a left side view of the ceiling fan of FIG. 1.  
 Portions of the ceiling fan shown in broken lines form no part of the claimed design.

**1 Claim, 6 Drawing Sheets**



(56)

**References Cited**

OTHER PUBLICATIONS

<http://www.kichler.com/products/product/maor-patio-65-ceiling-fan-olde-bronze-oz-310136oz.aspx>, Maor Patio Collection Maor Patio 65" Ceiling Fan—Olde Bronze OZ, 310136OZ, accessed Mar. 8, 2016.

<http://www.hunterfan.com/ceiling-fans/ronan>, Ronan 52" Ceiling Fan 59239 Matte Black Finish 3 Black Oak/Rusite Grain Reversible Composite blades included, accessed on Jan. 30, 2017.

<http://www.hunterfan.com/Ceiling-Fans/Ocala?ModelNumber=59214>, Ocala 52" Ceiling Fan 59214 Noble Bronze Finish 4 Roasted Maple/Washed Walnut Reversible blades included, accessed on Jan. 30, 2017.

<http://www.wayfair.com/Minka-Aire-56-Uchiwa-3-Blade-Ceiling-Fan-with-Remote-F824-ORB-TB-MKA2070.html>, Minka Aire 56" Uchiwa 3 Blade Ceiling Fan with Remote MKA2070, accessed on Jan. 30, 2017.

<http://www.casablancafanco.com/Ceiling-Fans/Glen-Arbor?ModelNumber=59163>, Casablanca Fan Co. Glen Arbor 56" Ceiling Fan Model 59163 Metallic Birch 3 Weathered Grey Ply-wood Exclusive blades included, accessed on Jan. 30, 2017.

<http://www.kichler.com/products/product/3-light-industrial-fan-kit-obb-obb-370041obb.aspx>, Kichler 3 Light Industrial Fan Kit—Obb Obb 370041OBB (Oil Brushed Bronze), accessed on Jan. 30, 2017.

<http://www.kingoffans.com/photos/manuals/185.pdf>, Hampton Bay North Shoreline 46" Ceiling Fan Model 51546, accessed on Jan. 30, 2017.

<http://www.montecarlofans.com/32467/52-Aviary-Dark-Bronze-4AIR52DBD.html>, Monte Carlo Aviary Ceiling Fan Model 4AIR52DBD Dark Bronze, accessed on Jan. 30, 2017.

\* cited by examiner

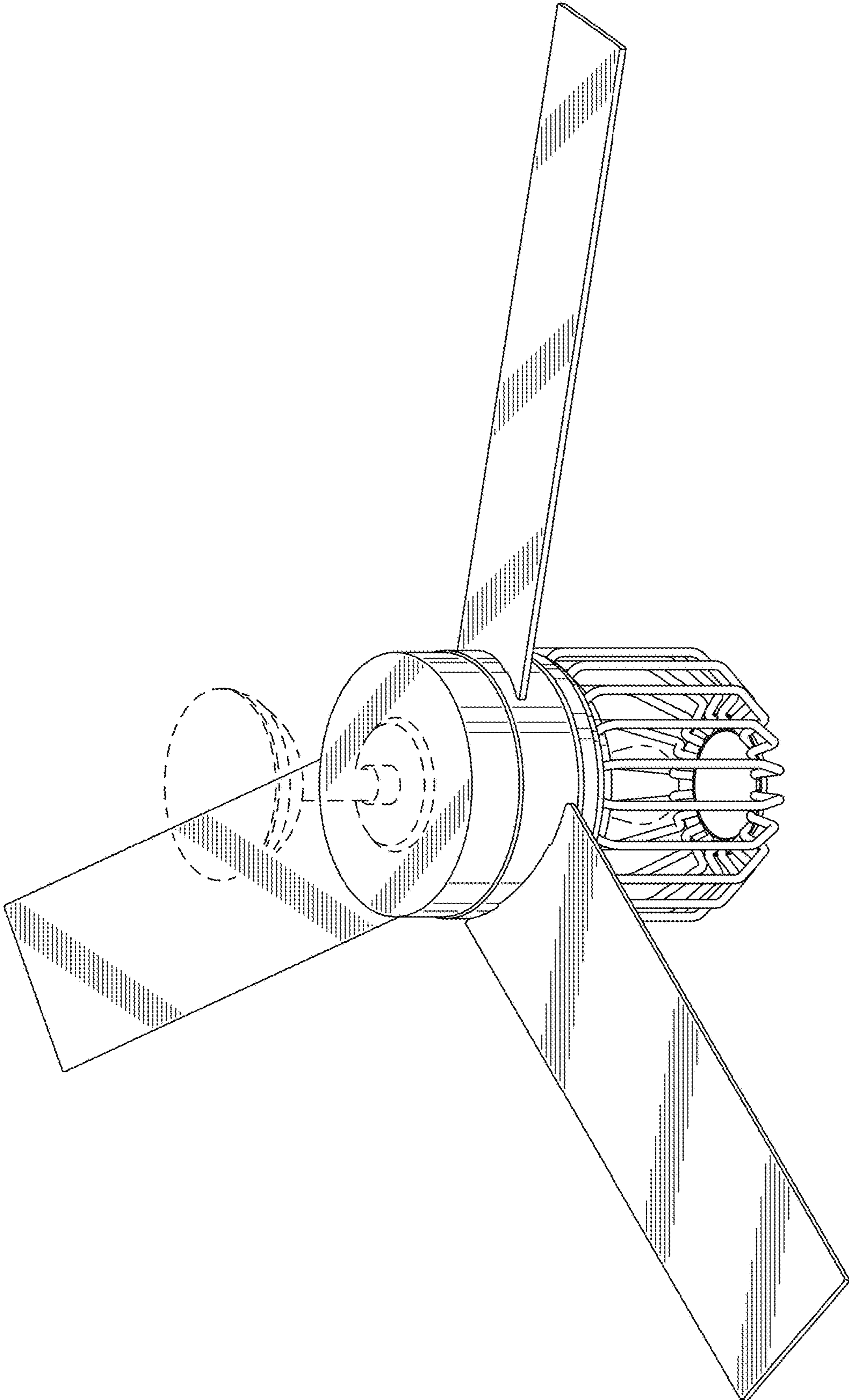


FIG.1

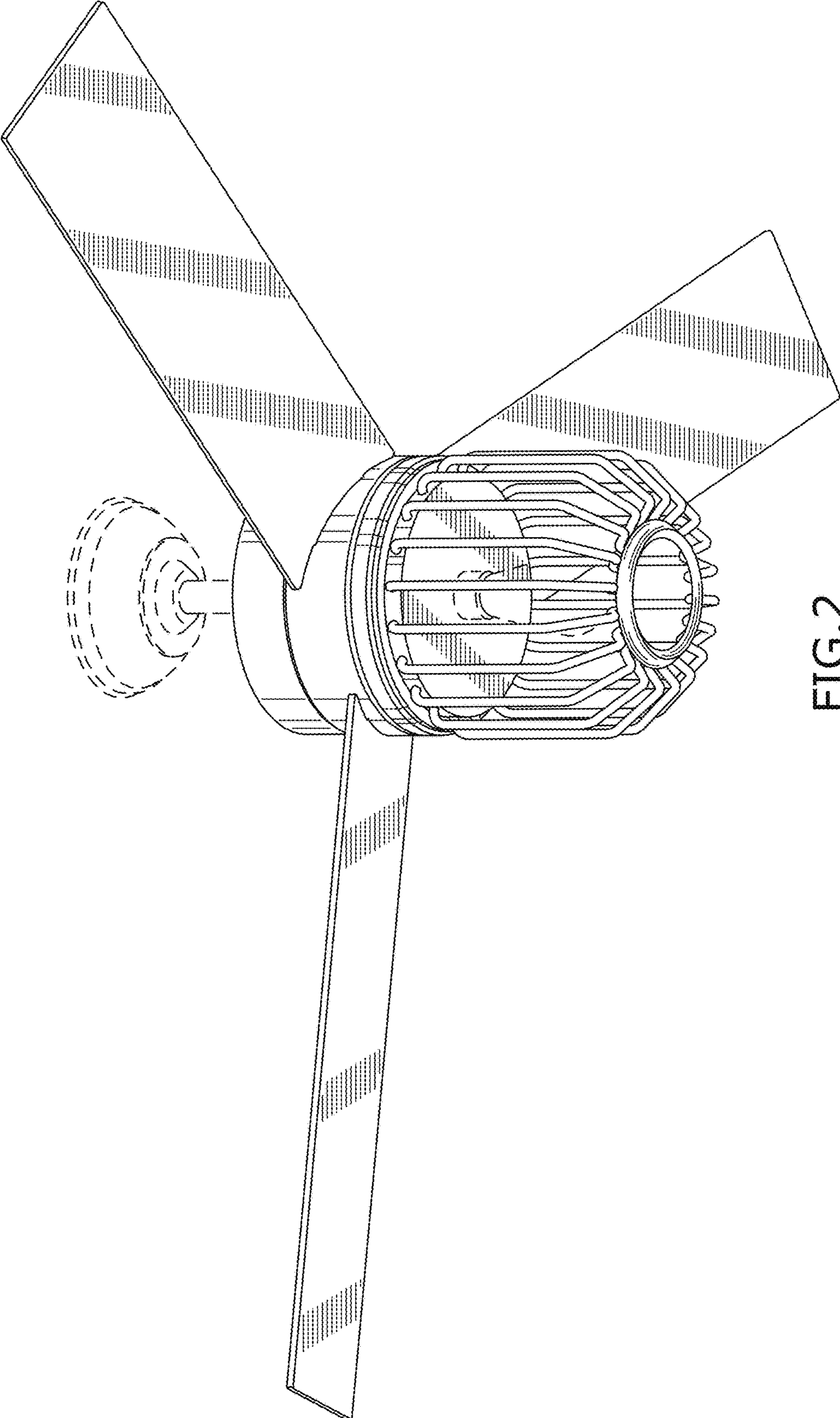


FIG.2

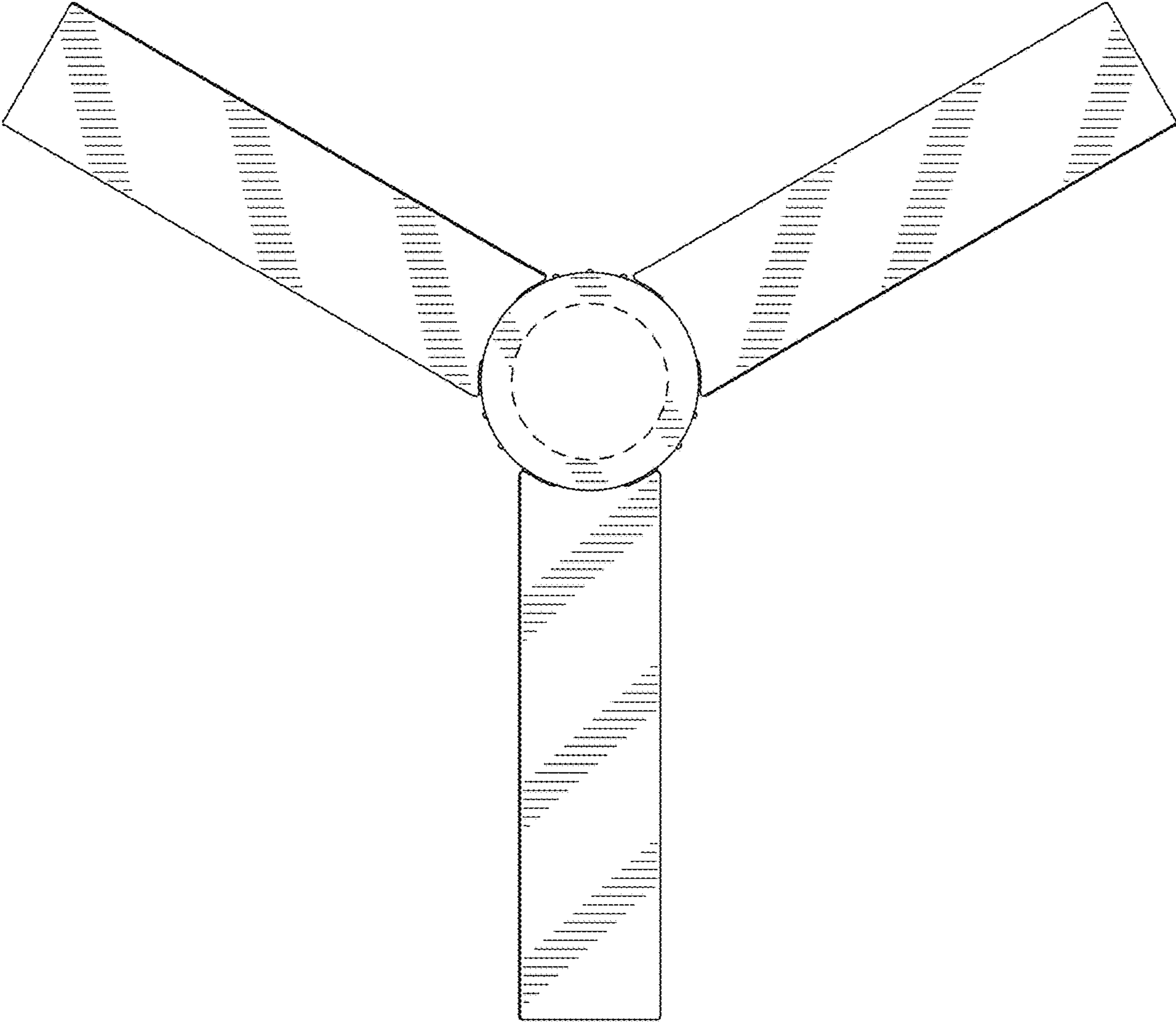


FIG.3

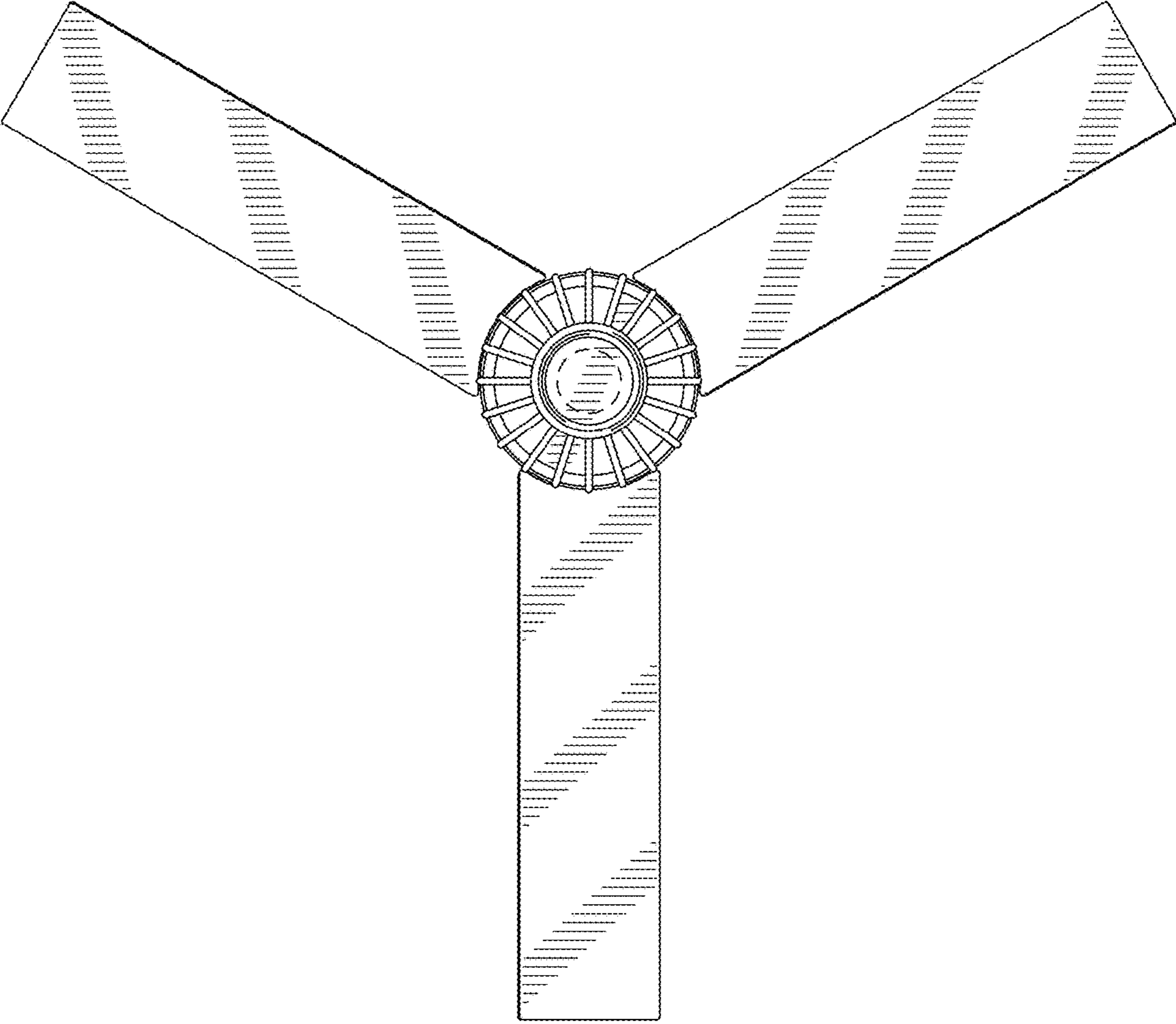


FIG. 4

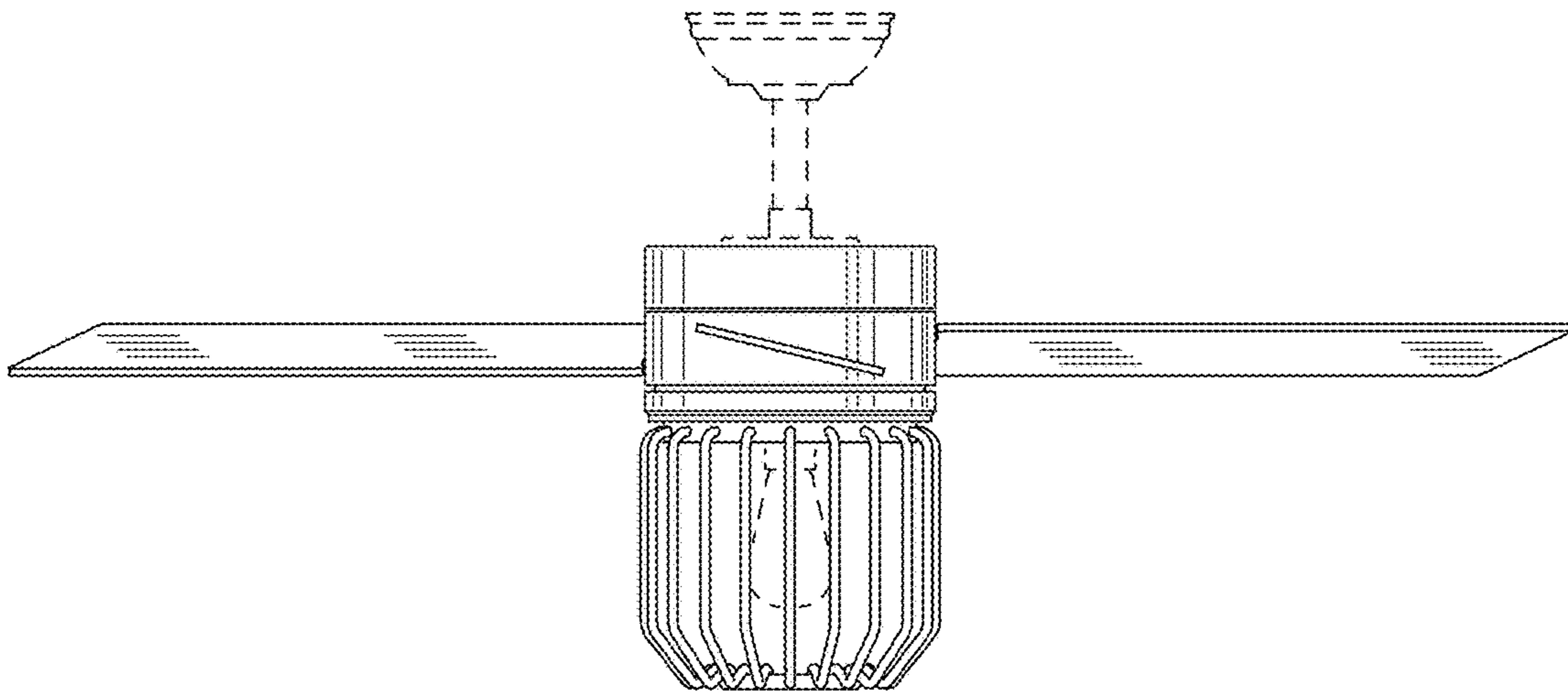


FIG. 5

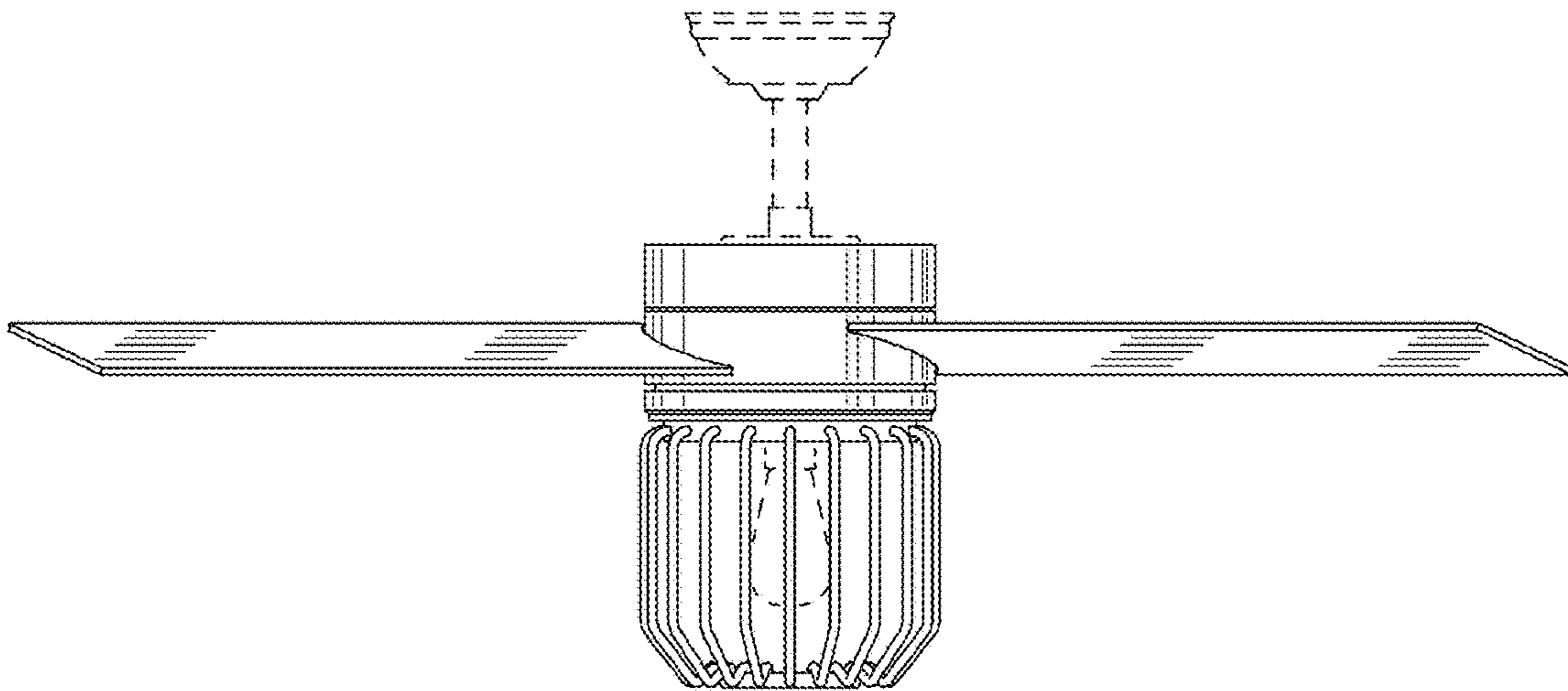


FIG. 6

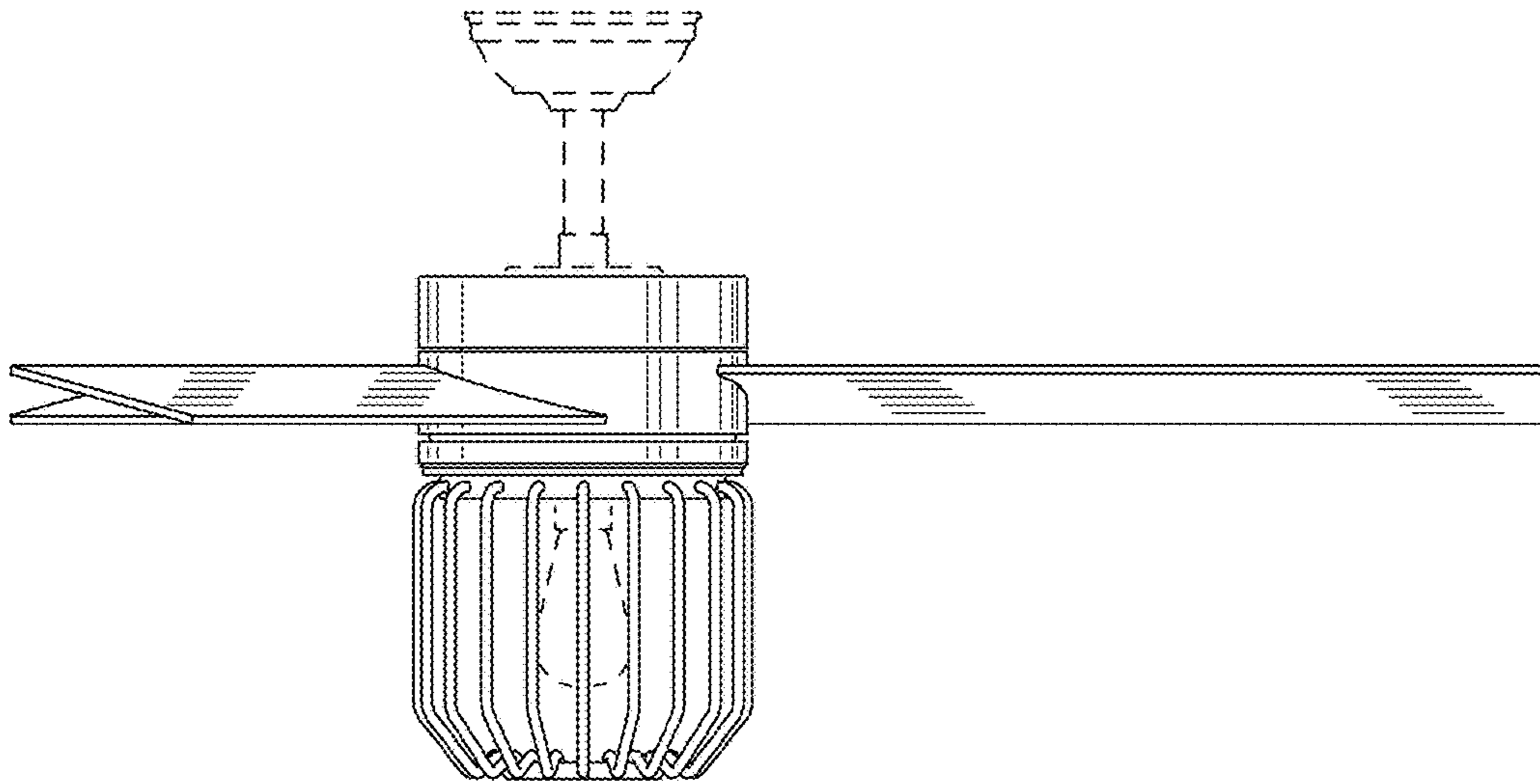


FIG. 7

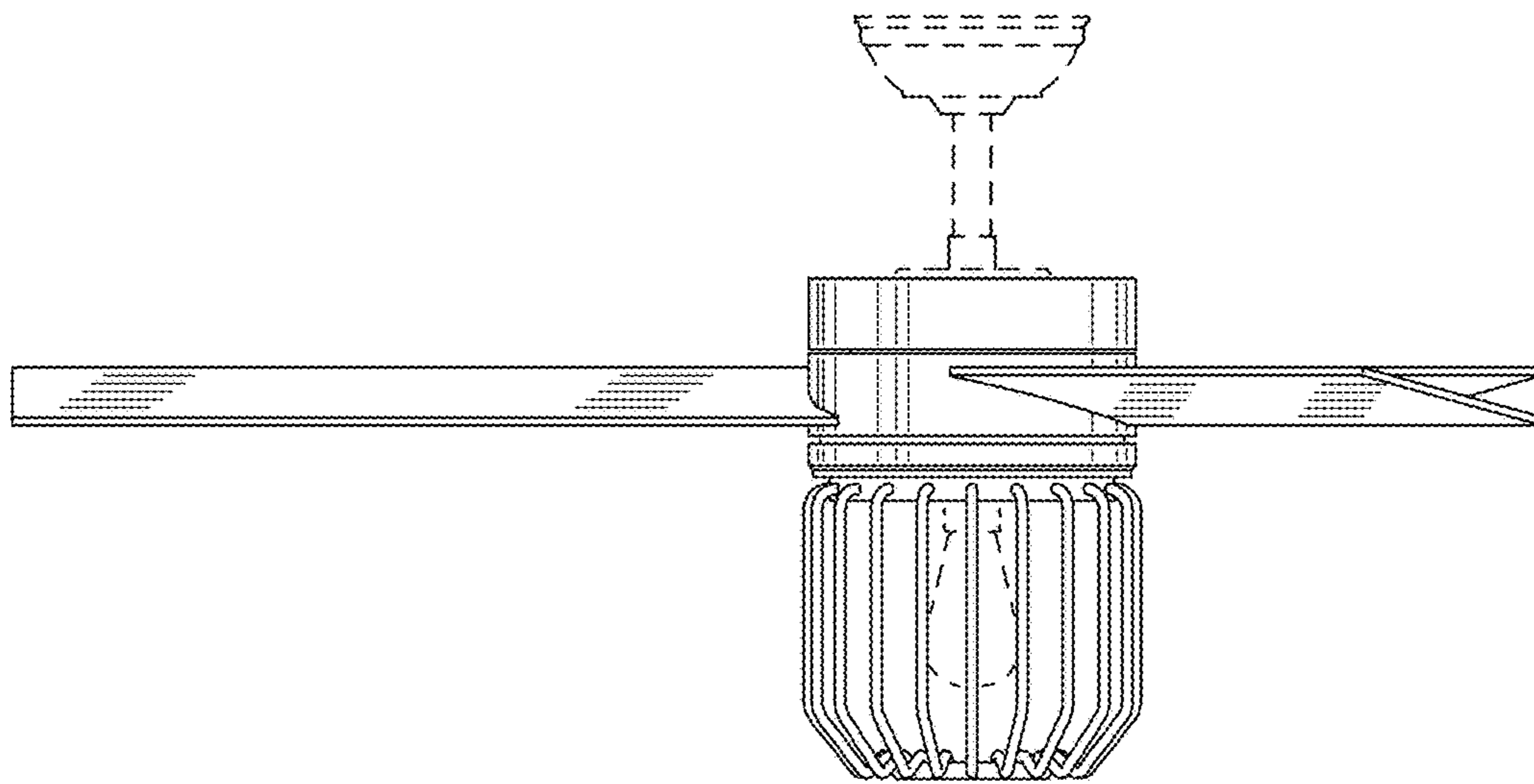


FIG. 8