



US00D818103S

(12) **United States Design Patent**  
**Hoss et al.**

(10) **Patent No.:** **US D818,103 S**

(45) **Date of Patent:** **\*\* May 15, 2018**

(54) **VENTILATOR**

(71) Applicants: **Sebastian Hoss**, Bad Mergentheim (DE); **Matthias Maschke**, Kupferzell (DE); **Alexander Lust**, Obersulm (DE)

(72) Inventors: **Sebastian Hoss**, Bad Mergentheim (DE); **Matthias Maschke**, Kupferzell (DE); **Alexander Lust**, Obersulm (DE)

(73) Assignee: **EBM-PAPST MULFINGEN GMBH & CO. KG** (DE)

(\*\*) Term: **15 Years**

(21) Appl. No.: **29/528,594**

(22) Filed: **May 29, 2015**

(30) **Foreign Application Priority Data**

Dec. 2, 2014 (DE) ..... 40 2014 101 160

(51) **LOC (11) Cl.** ..... **23-04**

(52) **U.S. Cl.**  
USPC ..... **D23/370**

(58) **Field of Classification Search**  
USPC ..... D23/370, 377, 379, 381, 382, 385, 411,  
D23/413, 414, 332, 328; D26/59;  
D15/5, 7; D13/179

CPC ..... F04D 25/08; F04D 29/388; F04D 29/34;  
F04D 25/088; H02K 1/187

See application file for complete search history.

(56) **References Cited**

**U.S. PATENT DOCUMENTS**

D492,986 S \* 7/2004 Chiu ..... D23/370  
D506,540 S \* 6/2005 Chiu ..... D23/370  
D507,637 S \* 7/2005 Chiu ..... D23/370  
D507,639 S \* 7/2005 Chiu ..... D23/370  
D531,716 S \* 11/2006 Watanabe ..... D23/370  
D602,142 S \* 10/2009 Nishizawa ..... D13/179

D602,577 S \* 10/2009 Miyazawa ..... D13/179  
D619,697 S \* 7/2010 Uchikawa ..... D23/370  
7,828,519 B2 \* 11/2010 Ishihara ..... F04D 29/542  
415/191  
D637,706 S \* 5/2011 Kawai ..... D23/370  
D689,182 S \* 9/2013 Kuehn ..... D23/370  
D696,764 S \* 12/2013 Sato ..... D13/179  
D732,655 S \* 6/2015 Ueno ..... D13/179  
D779,048 S \* 2/2017 Hoss ..... D23/370  
2007/0122271 A1 \* 5/2007 Ishihara ..... F04D 25/0613  
415/191

(Continued)

*Primary Examiner* — Janice Hallmark

(74) *Attorney, Agent, or Firm* — Tarolli, Sundheim,  
Covell & Tummino LLP

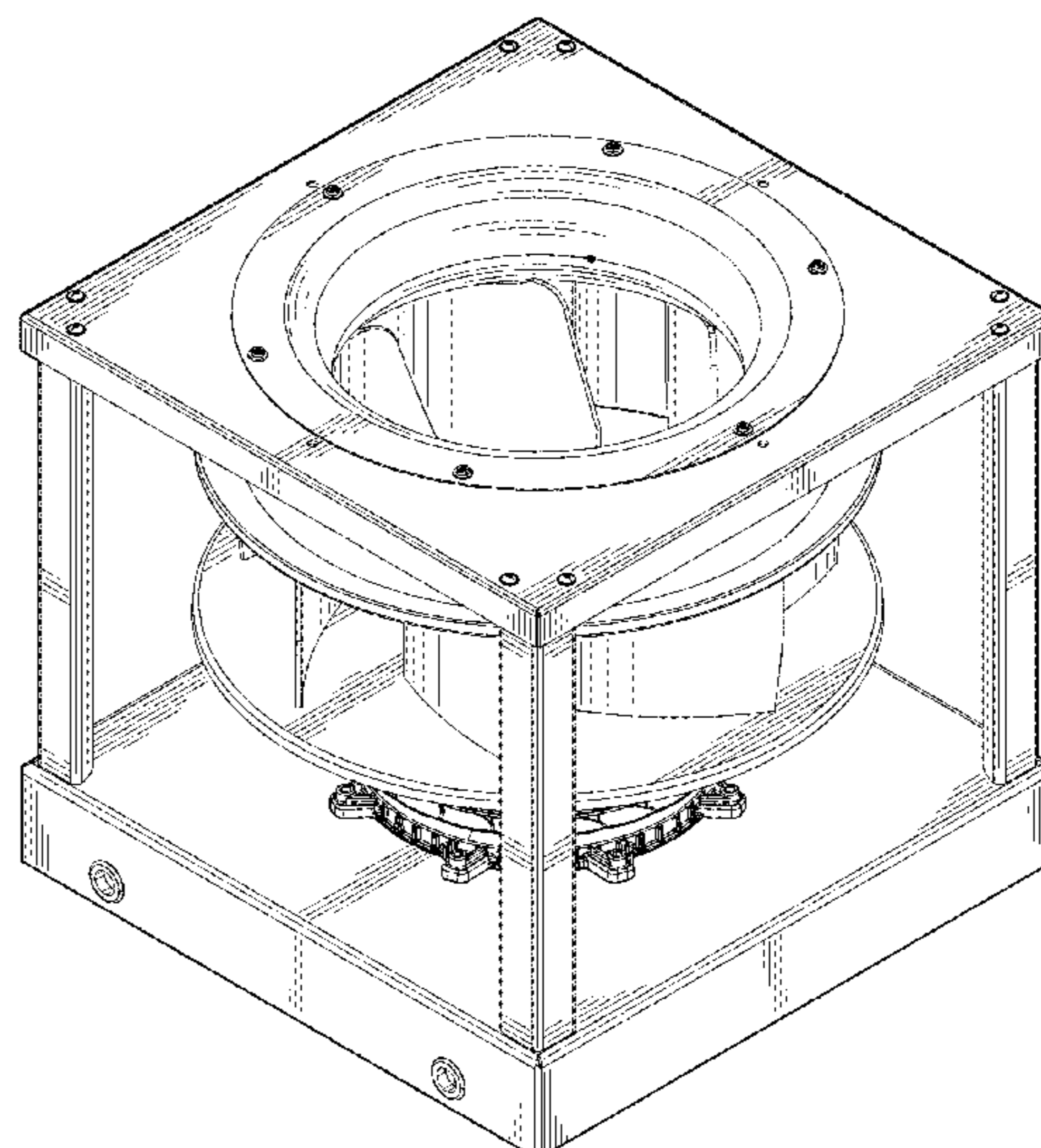
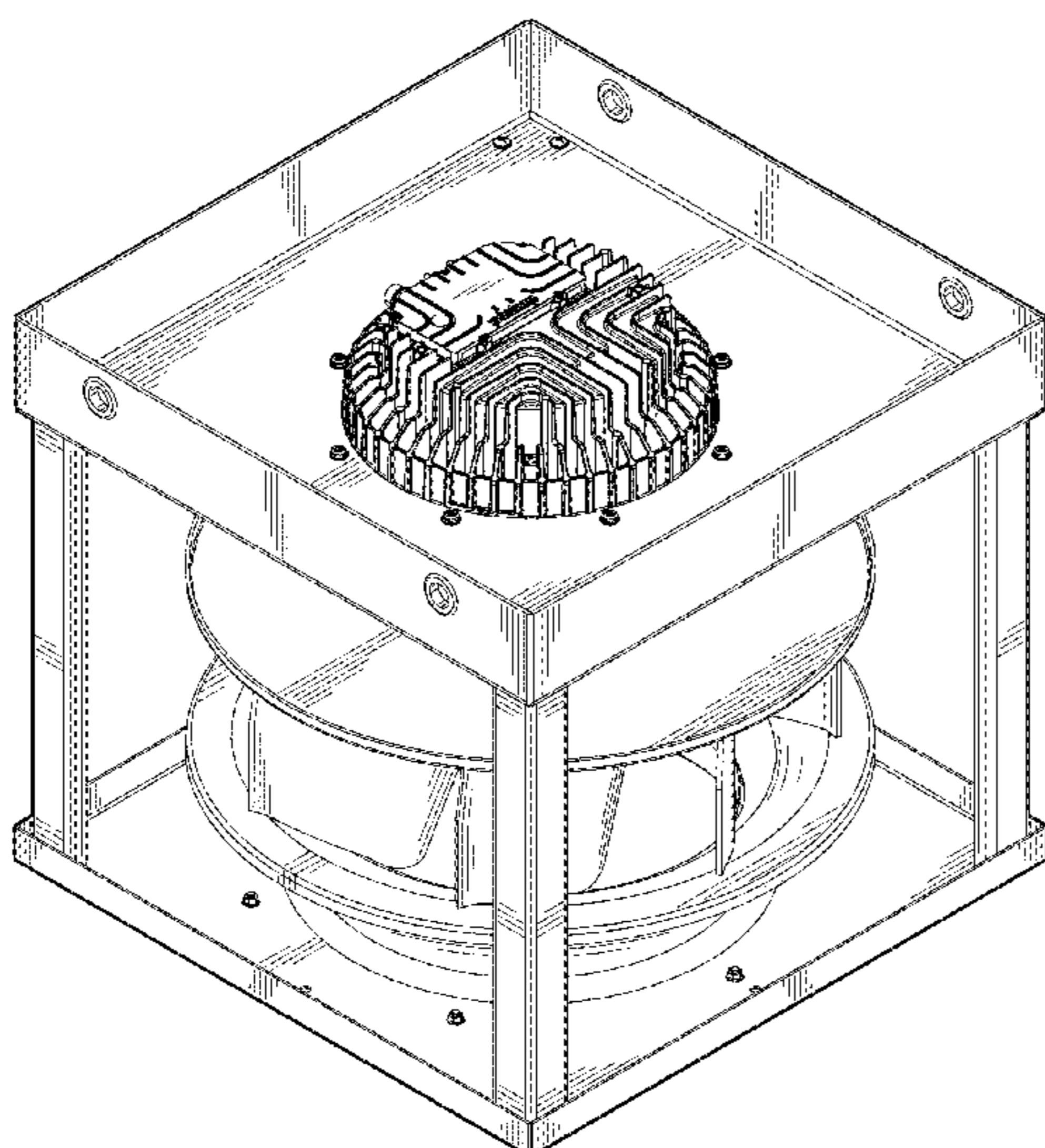
(57) **CLAIM**

We claim the ornamental design for a ventilator, as shown and described.

**DESCRIPTION**

FIG. 1 is a top plan view of a ventilator comprising a new, original and ornamental design;  
FIG. 2 is a left side elevational view of the ventilator shown in FIG. 1;  
FIG. 3 is a right side elevational view of the ventilator shown in FIG. 1;  
FIG. 4 is a front side elevational view of the ventilator shown in FIG. 1;  
FIG. 5 is a rear side elevational view of the ventilator shown in FIG. 1;  
FIG. 6 is a bottom plan view of the ventilator shown in FIG. 1;  
FIG. 7 is a bottom perspective view of the ventilator shown in FIG. 1;  
FIG. 8 is another bottom perspective view of the ventilator shown in FIG. 1; and,  
FIG. 9 is a top perspective view of the ventilator shown in FIG. 1.

**1 Claim, 9 Drawing Sheets**



(56)

**References Cited**

U.S. PATENT DOCUMENTS

2008/0260526 A1\* 10/2008 Nishizawa ..... F04D 19/007  
415/199.4  
2011/0076152 A1\* 3/2011 Streng ..... C09D 1/02  
416/241 R  
2012/0093635 A1\* 4/2012 Yoshida ..... F04D 25/0613  
415/191  
2015/0252812 A1\* 9/2015 Sauer ..... F04D 25/08  
417/423.14  
2015/0267716 A1\* 9/2015 Haaf ..... F24F 13/20  
415/196

\* cited by examiner

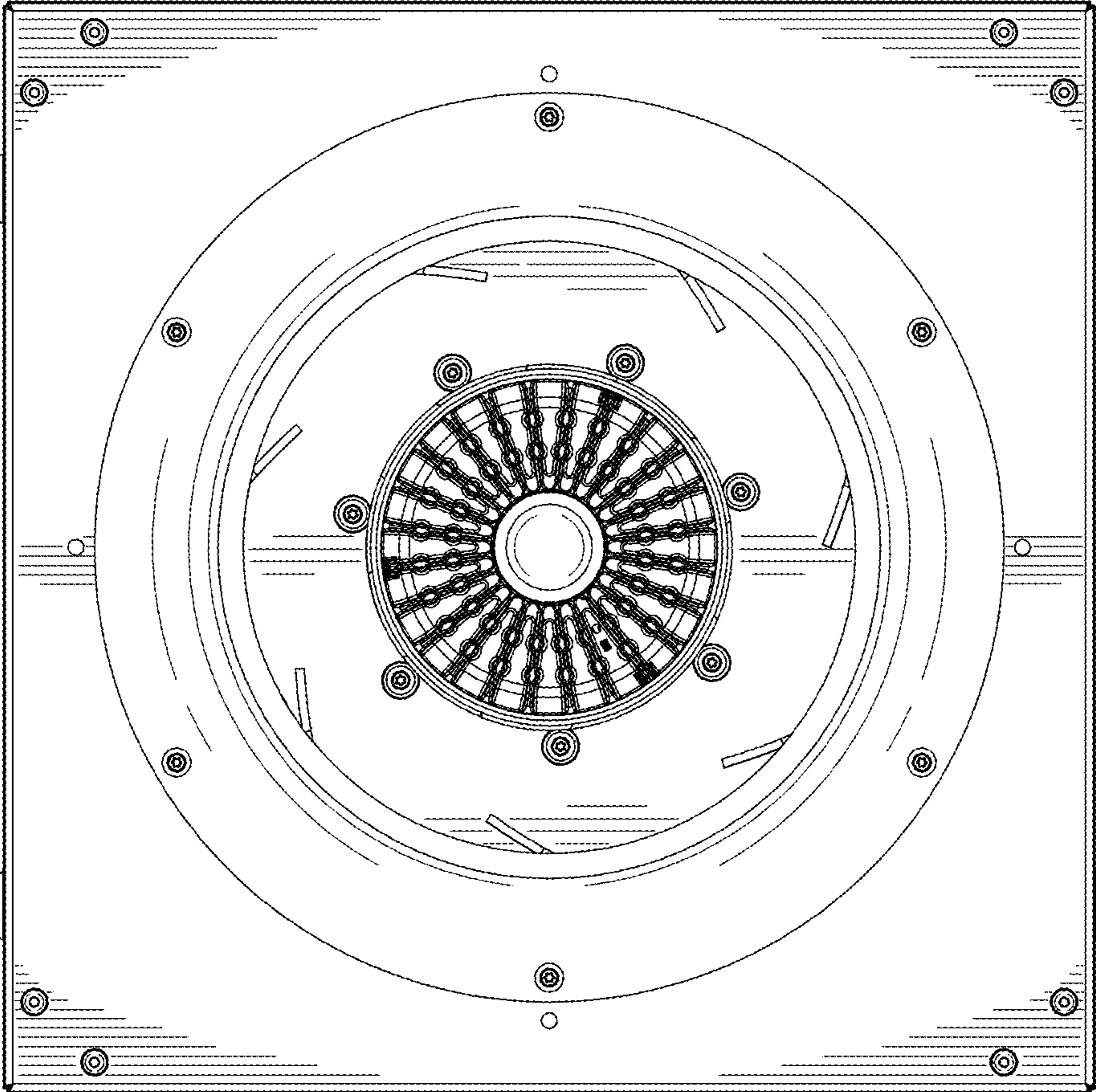


FIG. 1

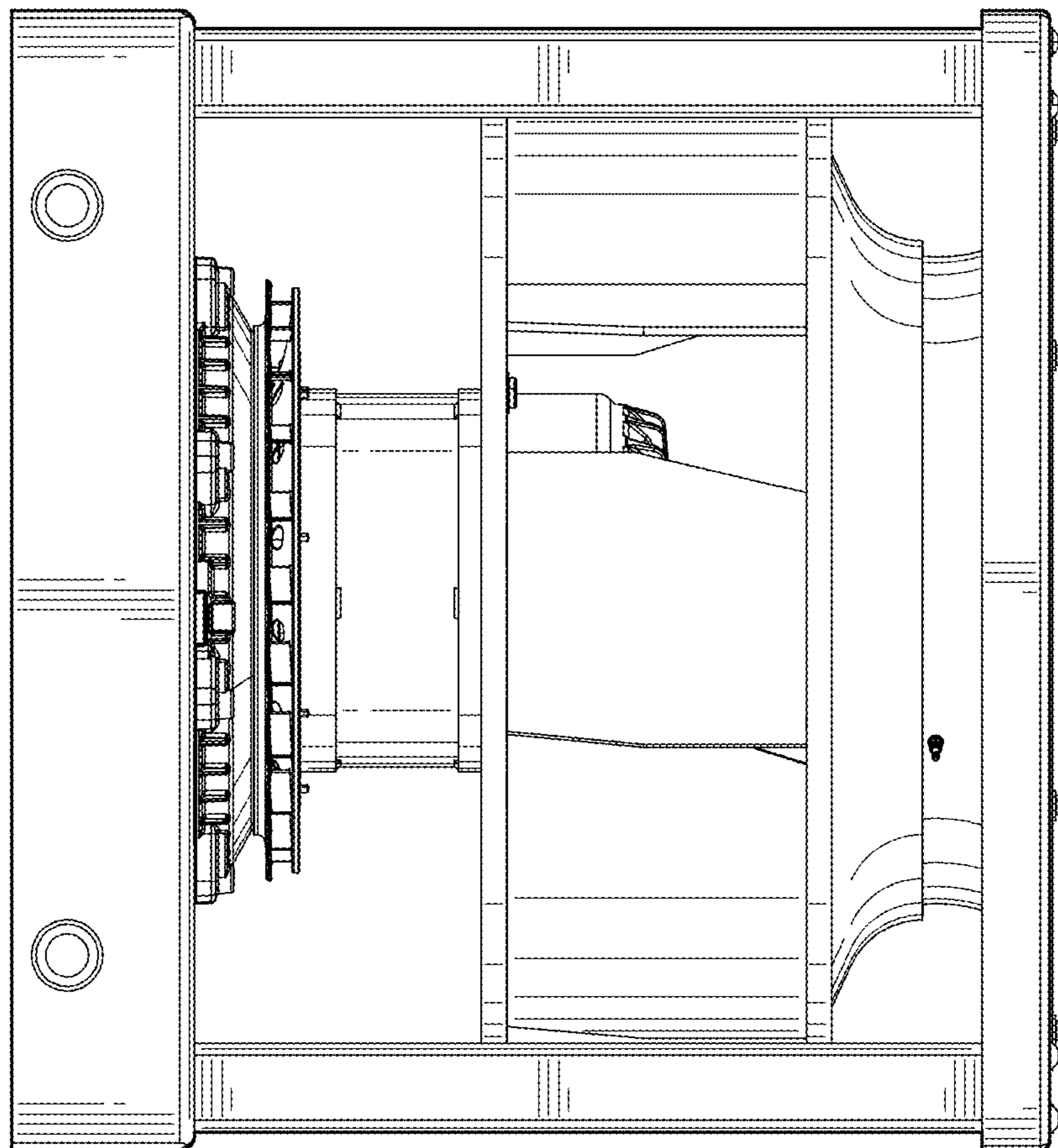


FIG. 2

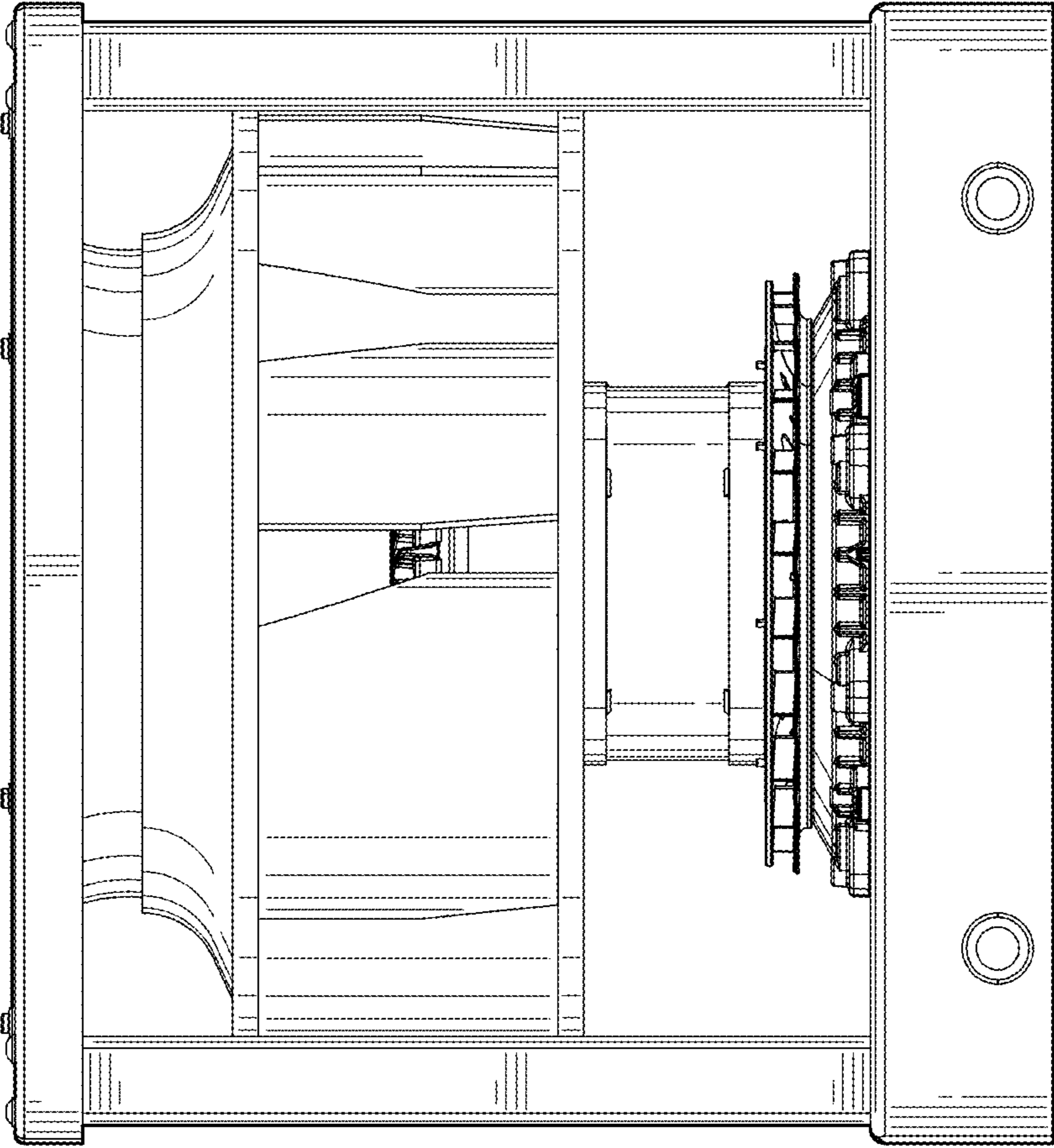


FIG. 3

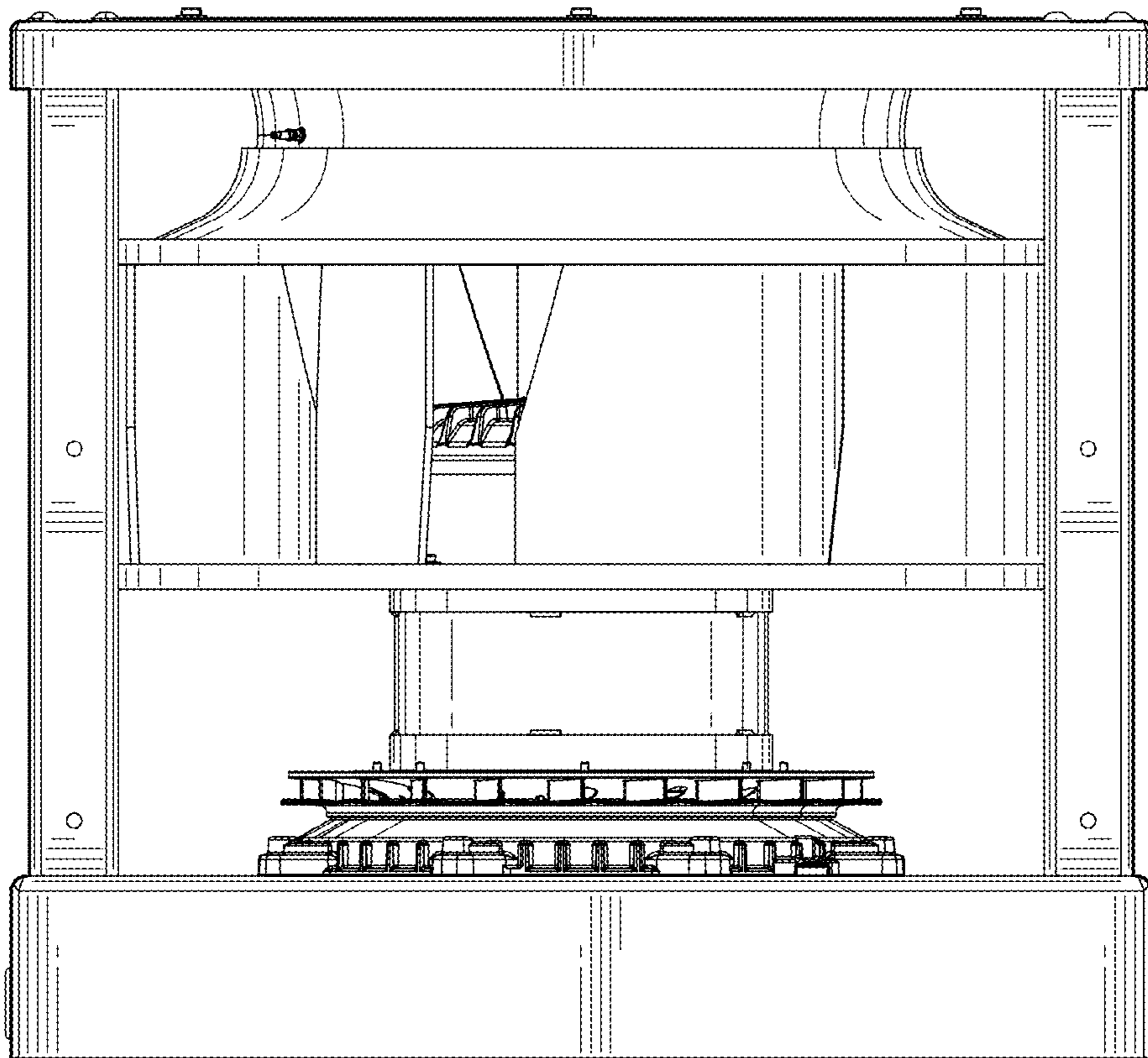


FIG. 4

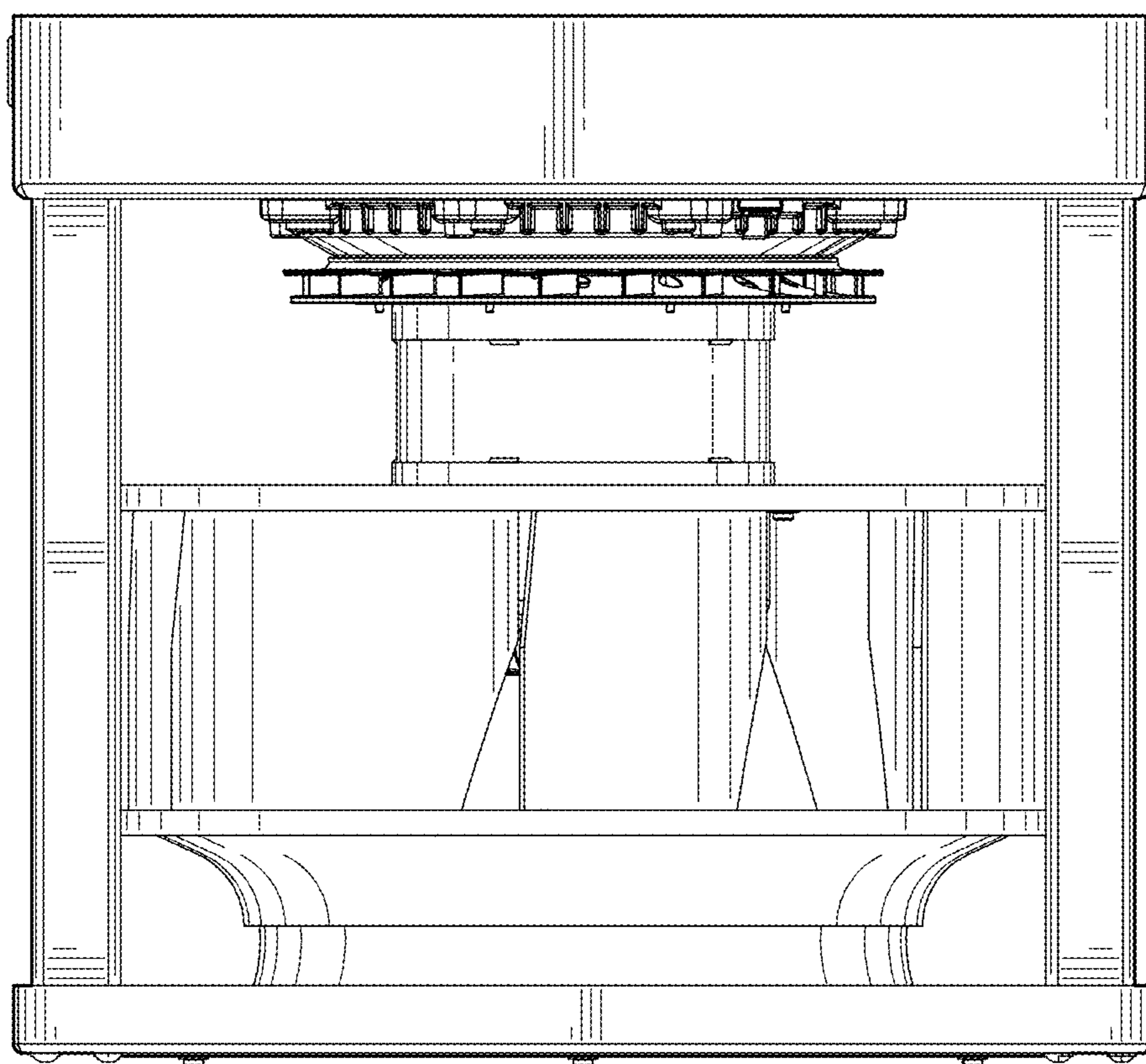


FIG. 5

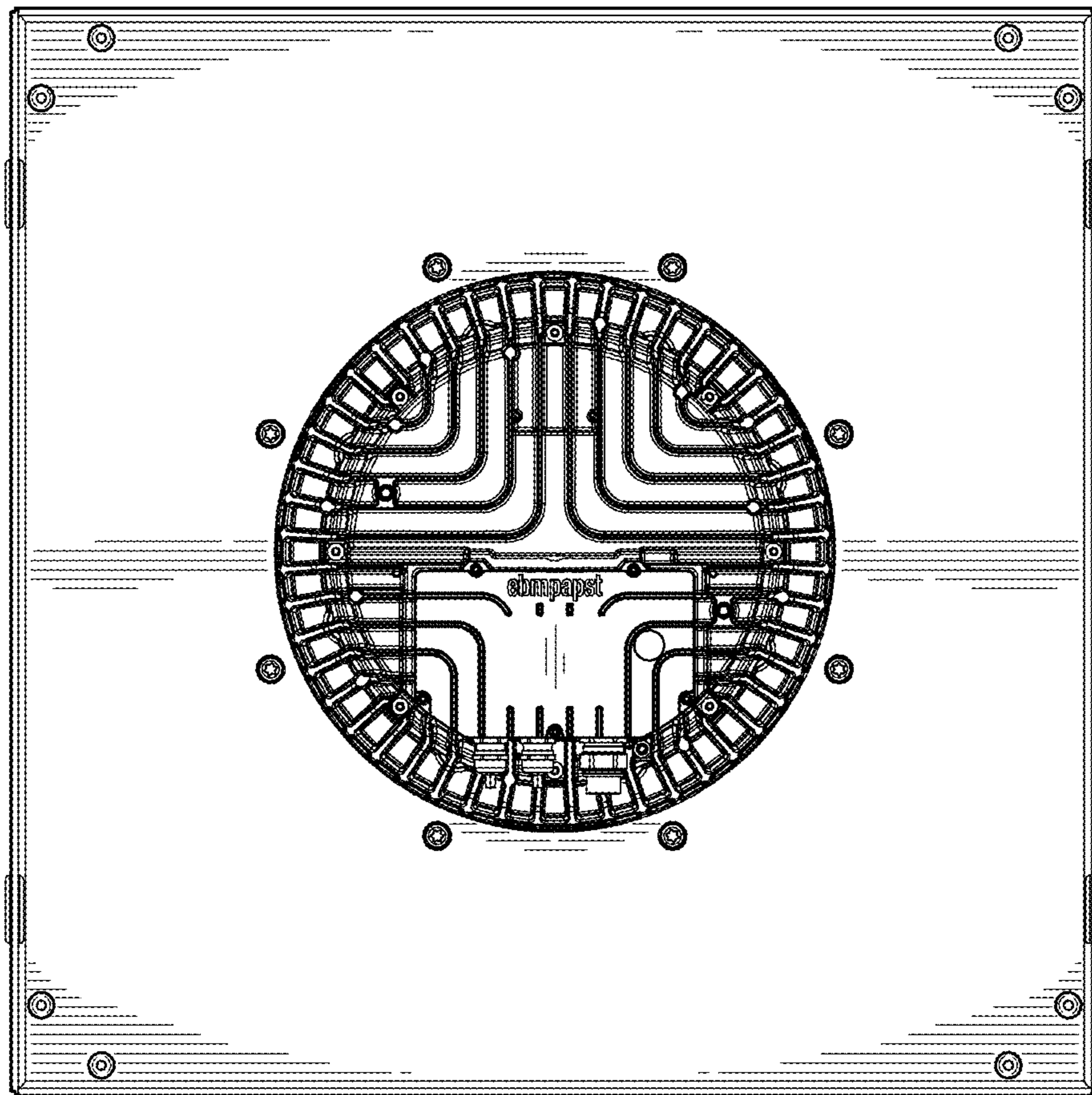


FIG. 6



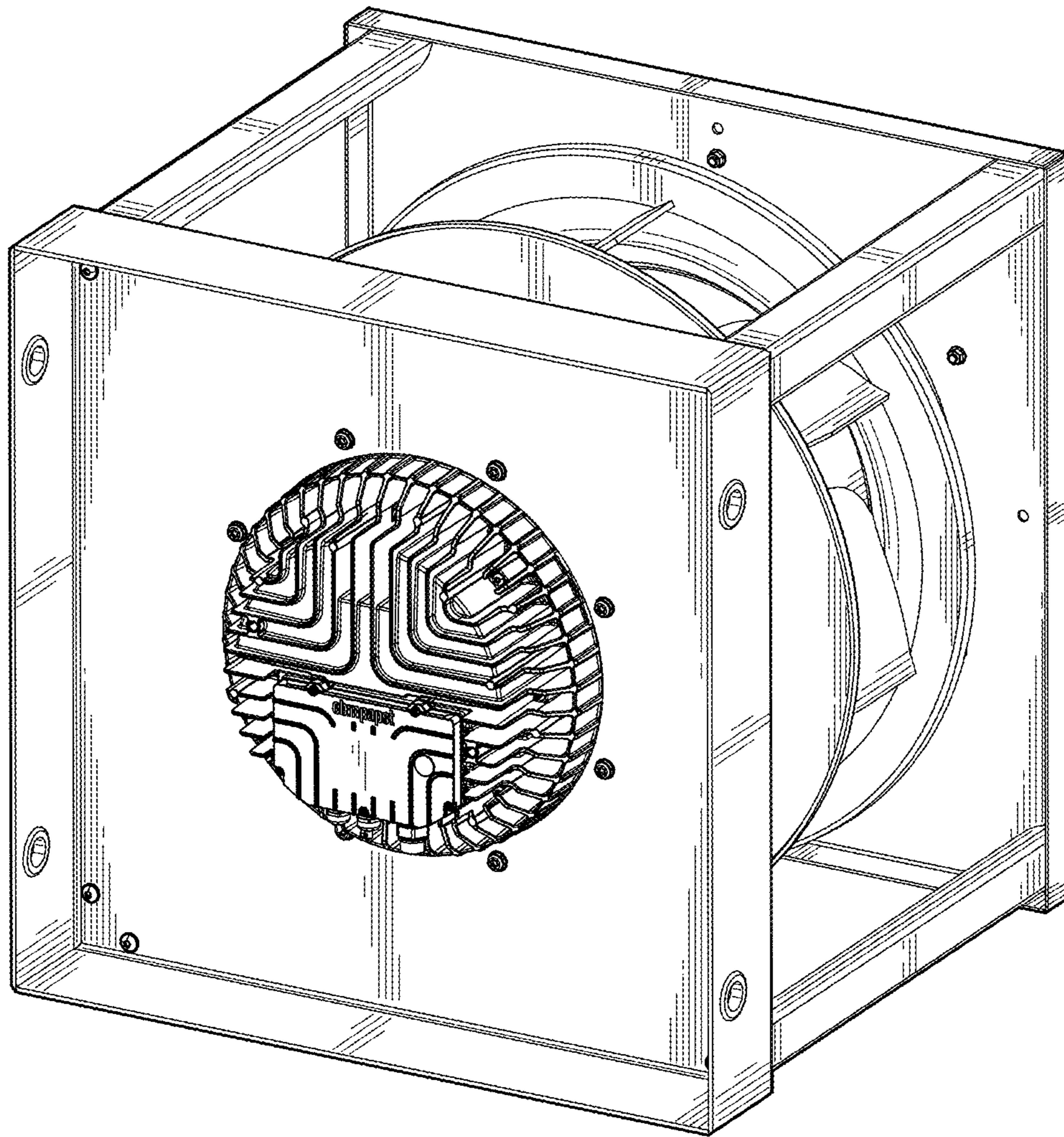


FIG. 7

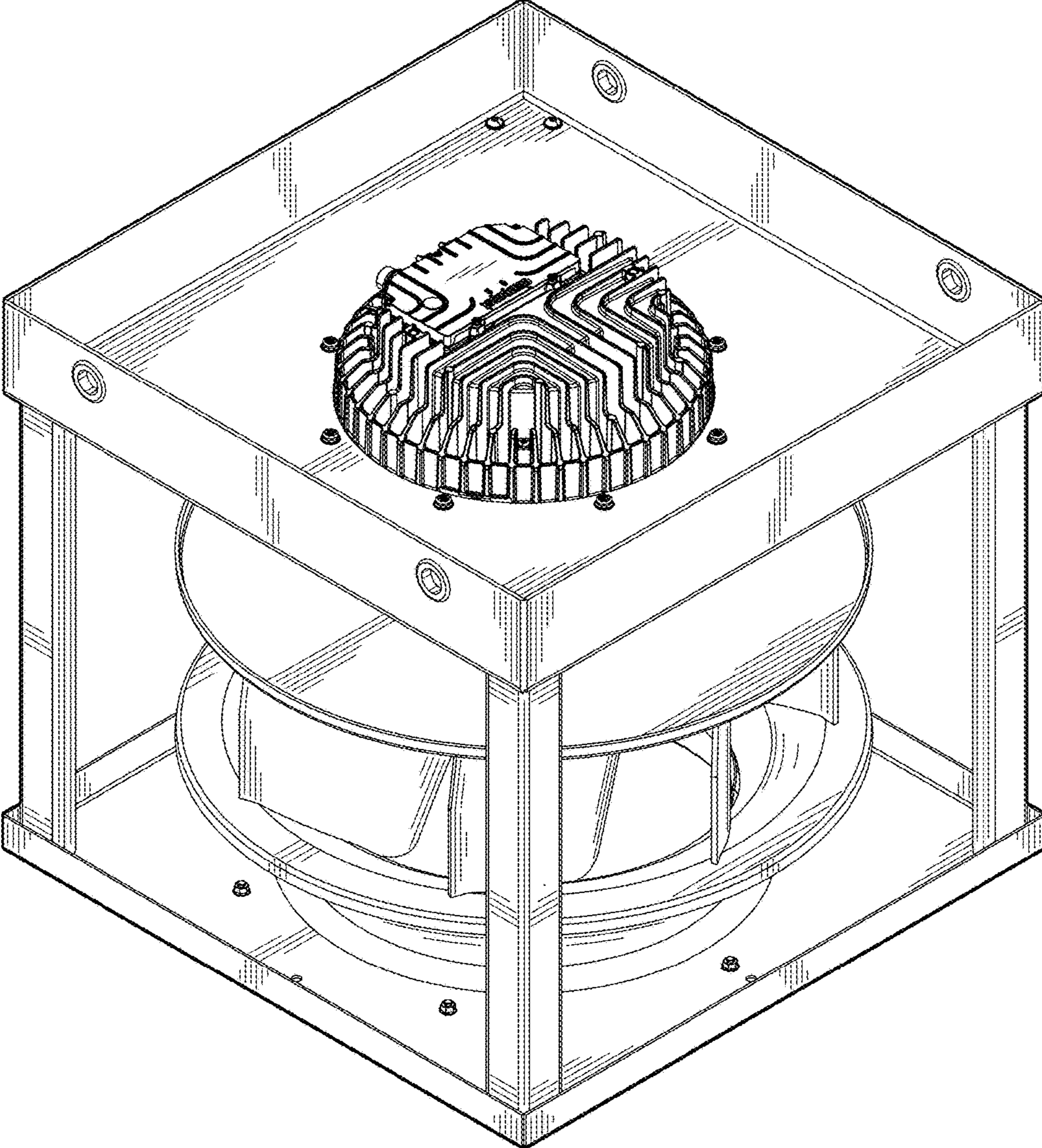


FIG. 8

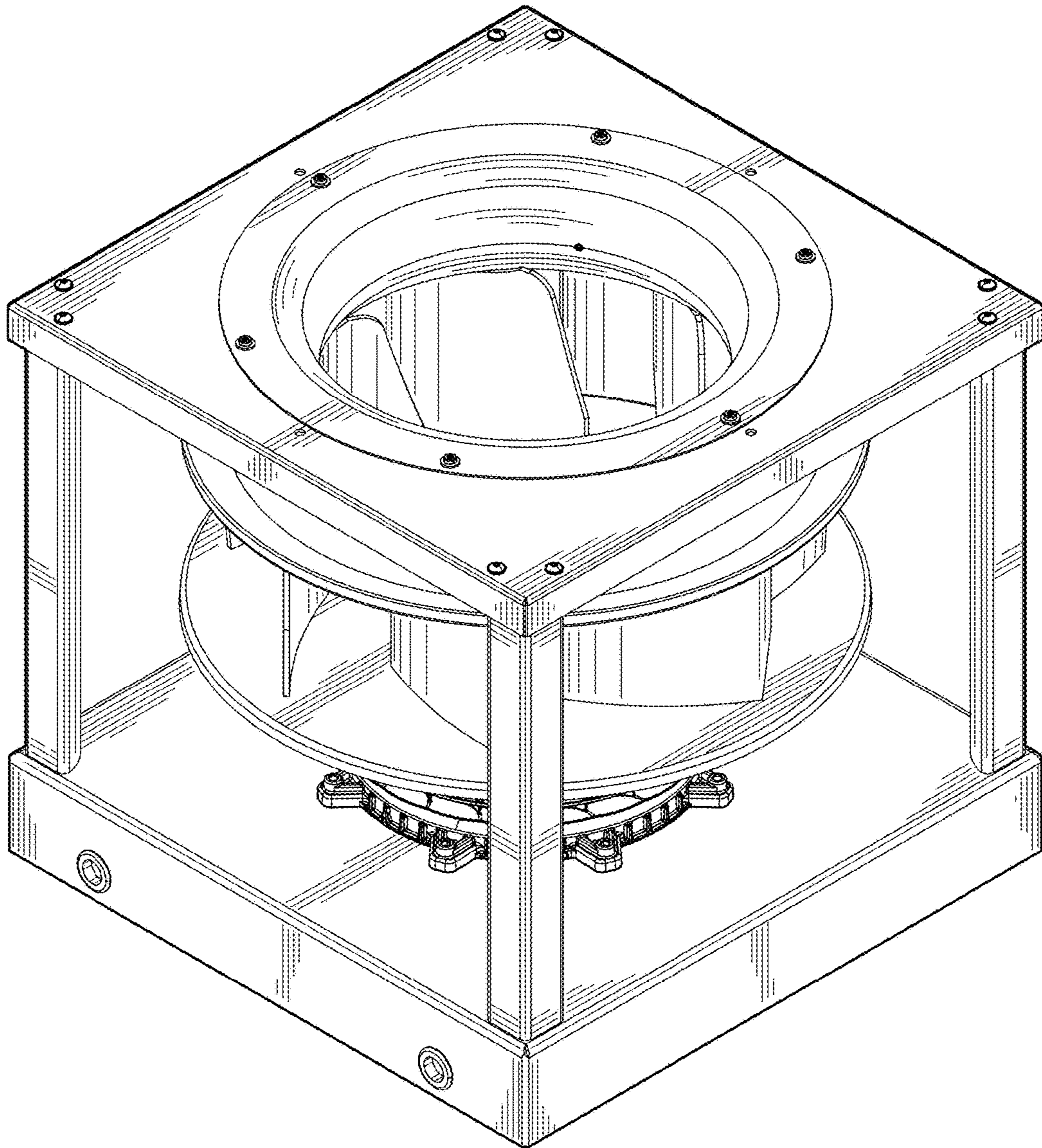


FIG. 9