



US00D818092S

(12) **United States Design Patent** (10) **Patent No.:** **US D818,092 S**  
**Richter** (45) **Date of Patent:** **\*\* May 15, 2018**

(54) **TOILET SEAT COVER**

(71) Applicant: **DURAVIT**  
**AKTIENGESELLSCHAFT, Hornberg**  
**(DE)**

(72) Inventor: **Frank Richter, Hornberg (DE)**

(\*\*) Term: **15 Years**

(21) Appl. No.: **35/500,057**

(22) Filed: **Jun. 24, 2015**

(80) **Hague Agreement Data**

Int. Filing Date: **Jun. 24, 2015**

Int. Reg. No.: **DM/086881**

Int. Reg. Date: **Jun. 24, 2015**

Int. Reg. Pub. Date: **Jul. 17, 2015**

(30) **Foreign Application Priority Data**

Feb. 3, 2015 (WO) ..... DM/086379

(51) **LOC (11) Cl.** ..... **23-02**

(52) **U.S. Cl.**  
USPC ..... **D23/311**

(58) **Field of Classification Search**  
USPC ..... D23/295, 296, 299, 303, 309-311;  
D6/611  
CPC ..... A47K 13/00; A47K 13/06; A47K 13/24;  
A47K 13/28; A47K 13/005  
See application file for complete search history.

(56) **References Cited**

**U.S. PATENT DOCUMENTS**

D288,592 S \* 3/1987 Stairs, Jr. .... D23/311  
D292,432 S \* 10/1987 Rasmussen ..... D23/311

D332,830 S \* 1/1993 Gerlach ..... D23/311  
D485,337 S \* 1/2004 Tani ..... D23/311  
D508,733 S \* 8/2005 Peng ..... D23/311  
D508,986 S \* 8/2005 Peng ..... D23/311  
D532,496 S \* 11/2006 Bates ..... D23/311  
D561,316 S \* 2/2008 Ollgaard ..... D23/311  
D571,443 S \* 6/2008 Peng ..... D23/311  
D593,655 S \* 6/2009 De Lay ..... D23/311  
D617,884 S \* 6/2010 Choi ..... D23/311  
D618,325 S \* 6/2010 Deng ..... D23/311  
D622,367 S \* 8/2010 Takahashi ..... D23/311  
D622,368 S \* 8/2010 Takahashi ..... D23/311  
D622,369 S \* 8/2010 Takahashi ..... D23/311  
D675,301 S \* 1/2013 Collignon ..... D23/311  
D704,317 S \* 5/2014 Shinozaki ..... D23/311  
D747,449 S \* 1/2016 Inomoto ..... D23/311

\* cited by examiner

*Primary Examiner* — Keli L Hill

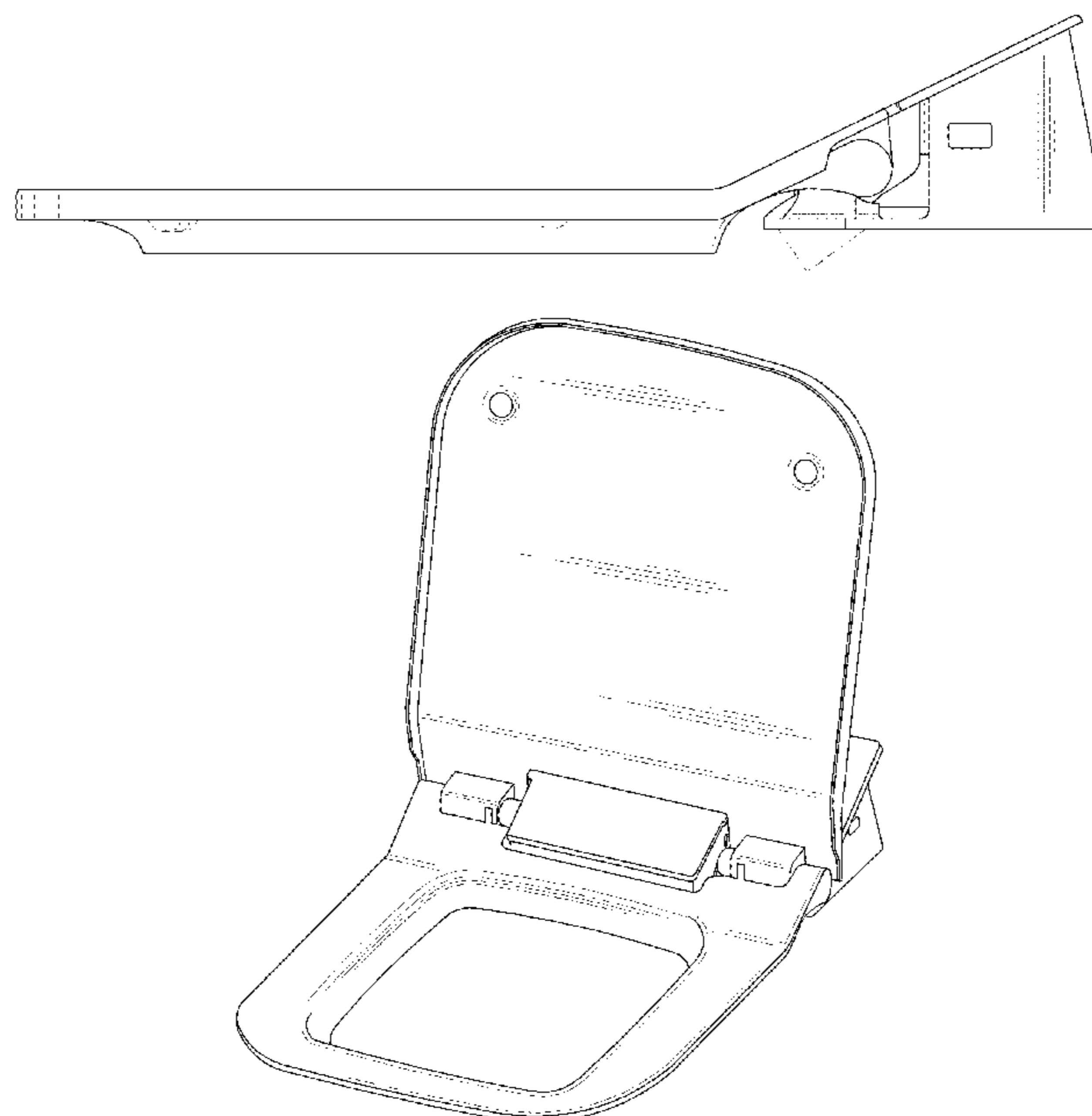
(57) **CLAIM**

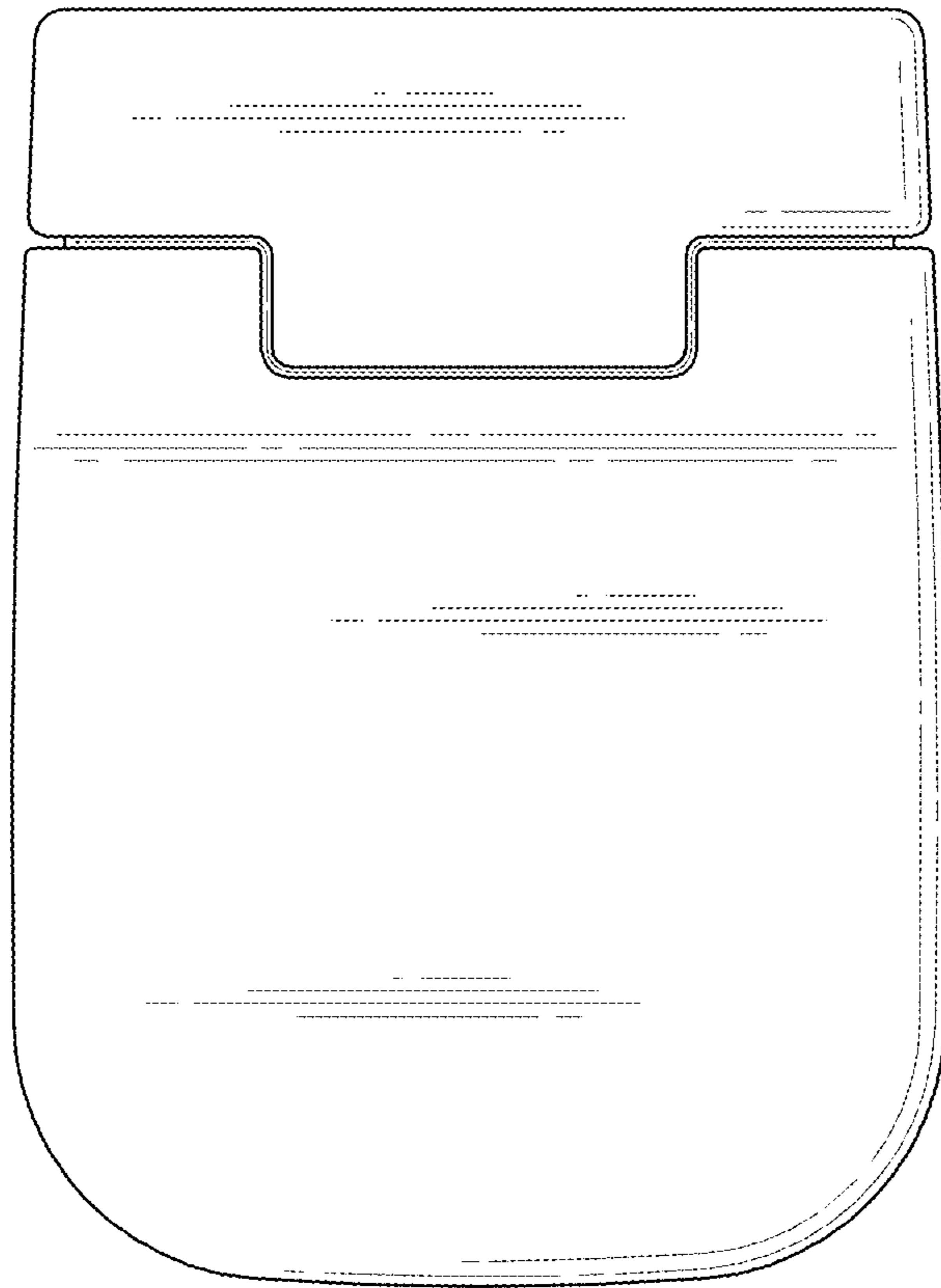
The ornamental design for a toilet seat cover, as shown and described.

**DESCRIPTION**

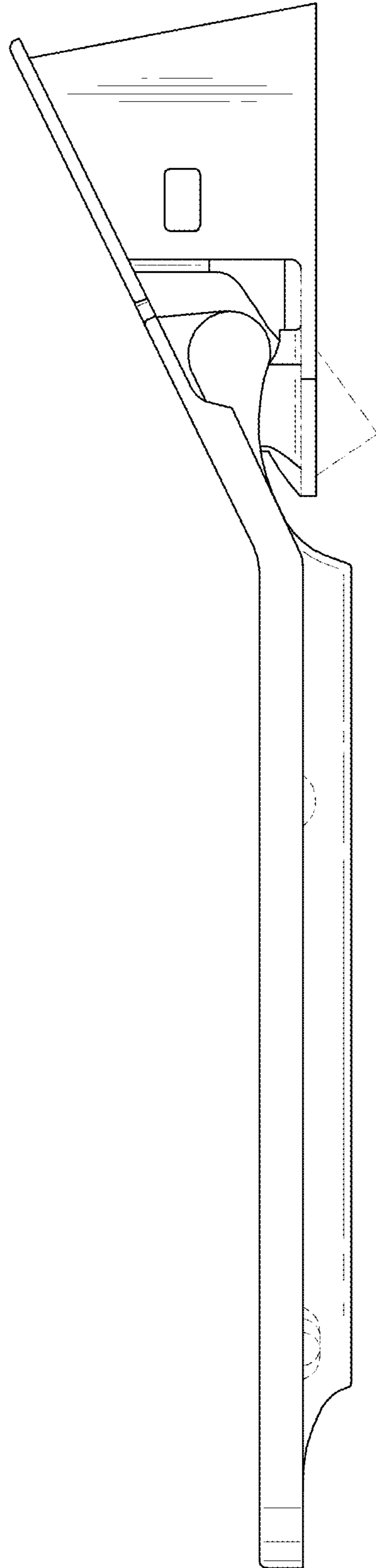
1. Toilet seat cover  
1.1 is a top plan view.  
1.2 is a left side elevation view.  
1.3 is a top and side perspective view, shown in an open position.  
1.4 is a rear elevation view.  
1.5 is right side elevation view.  
1.6 is a bottom plan view.  
1.7 is a top and side perspective view, shown in a closed position.  
The broken lines in the drawings represent unclaimed features.

**1 Claim, 7 Drawing Sheets**

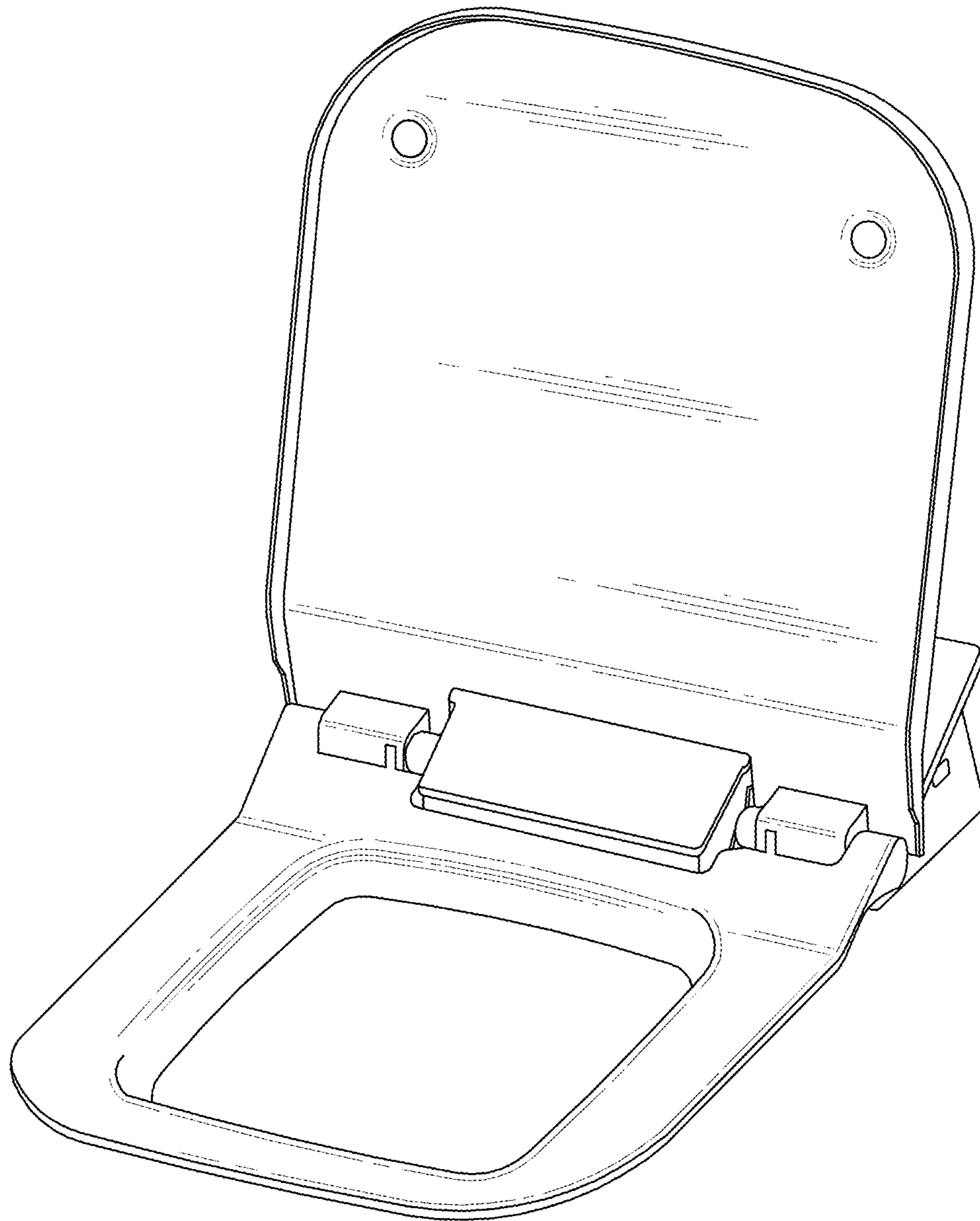




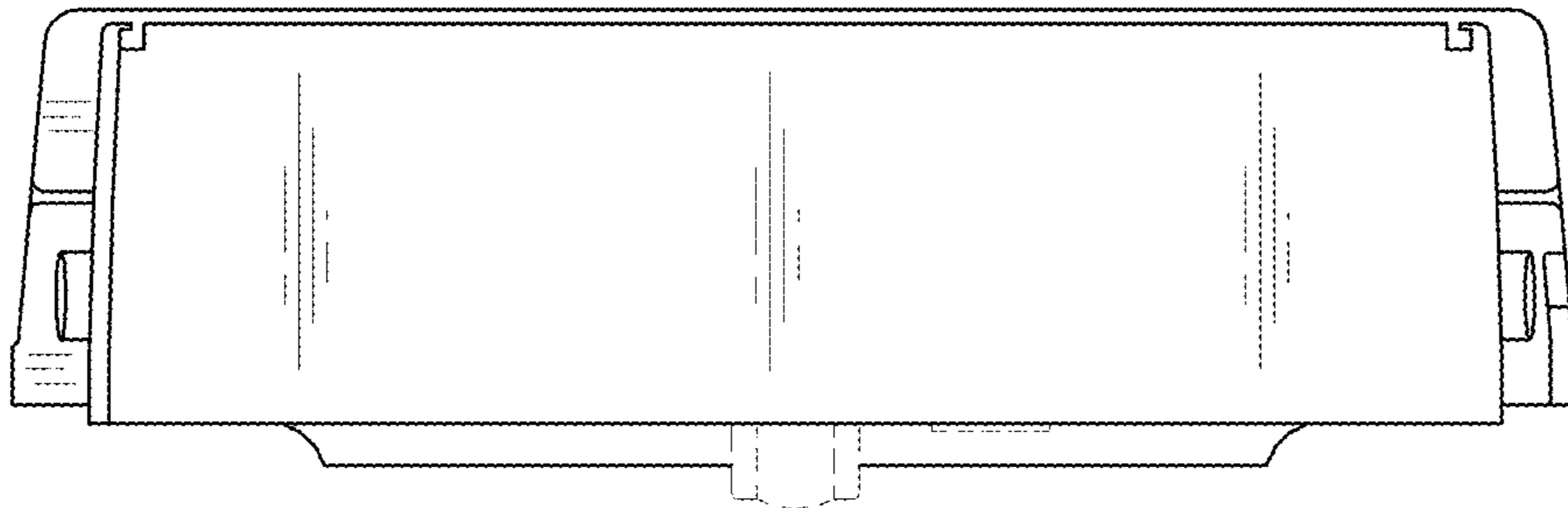
*1.1*



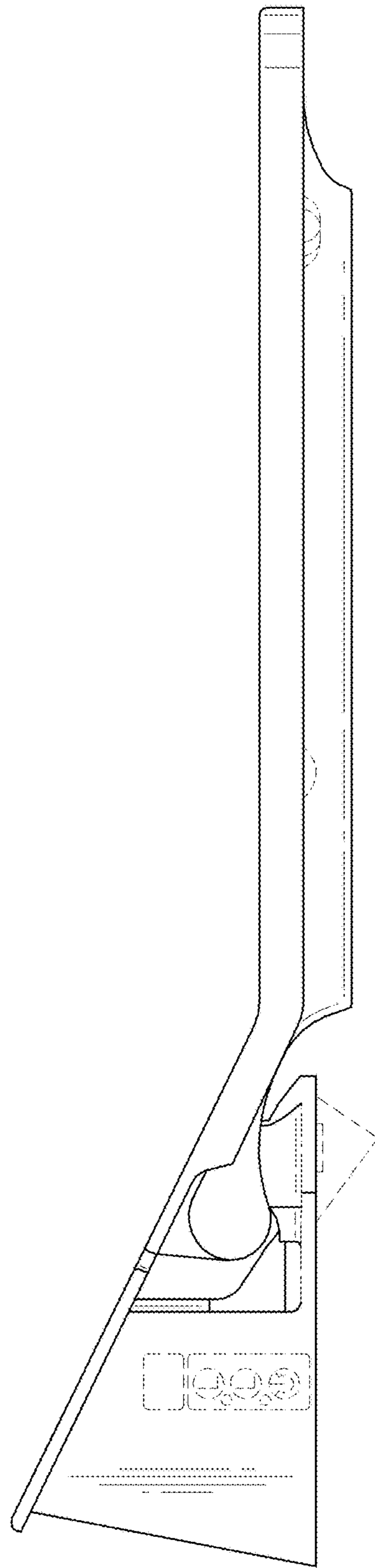
1.2



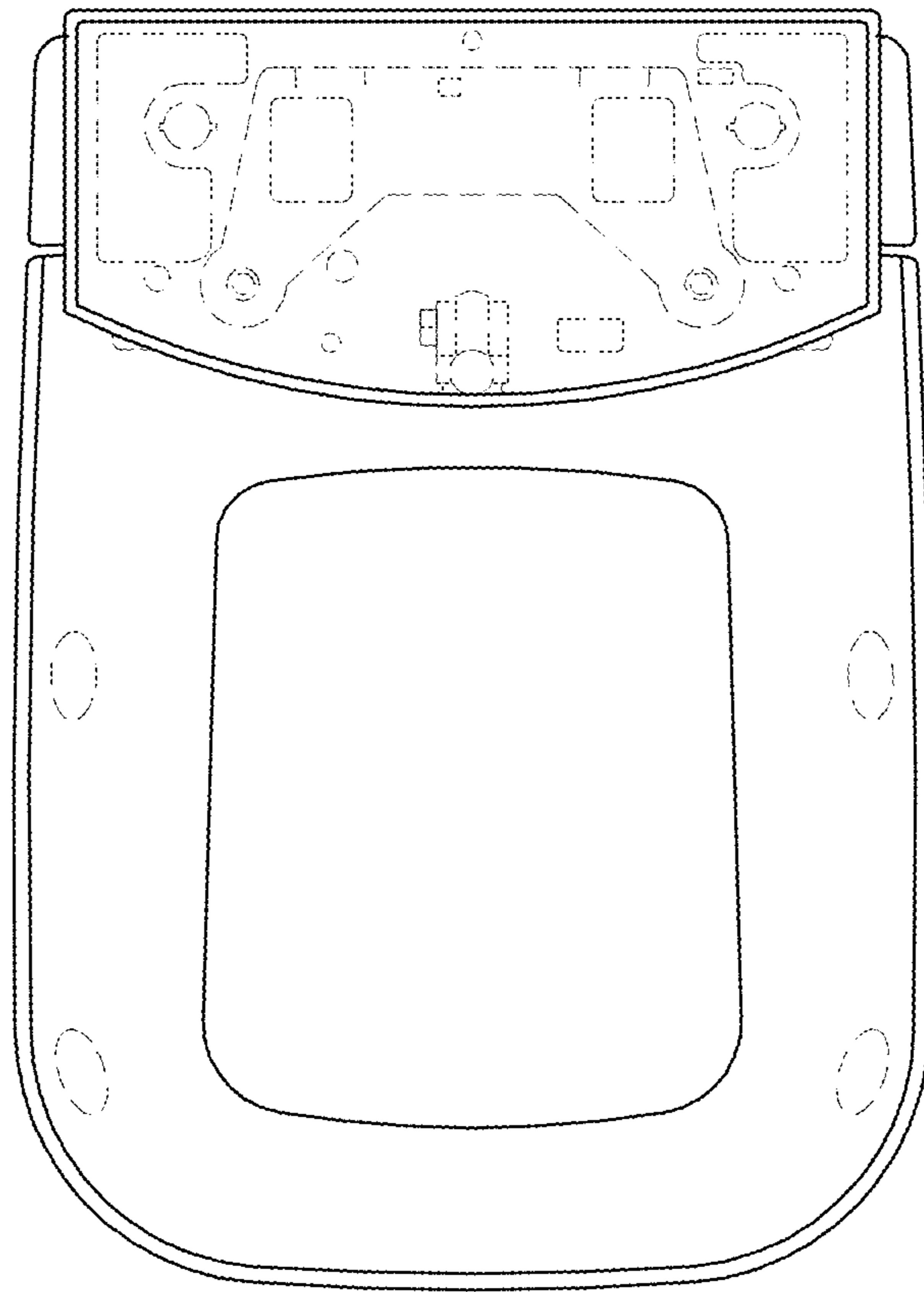
1.3



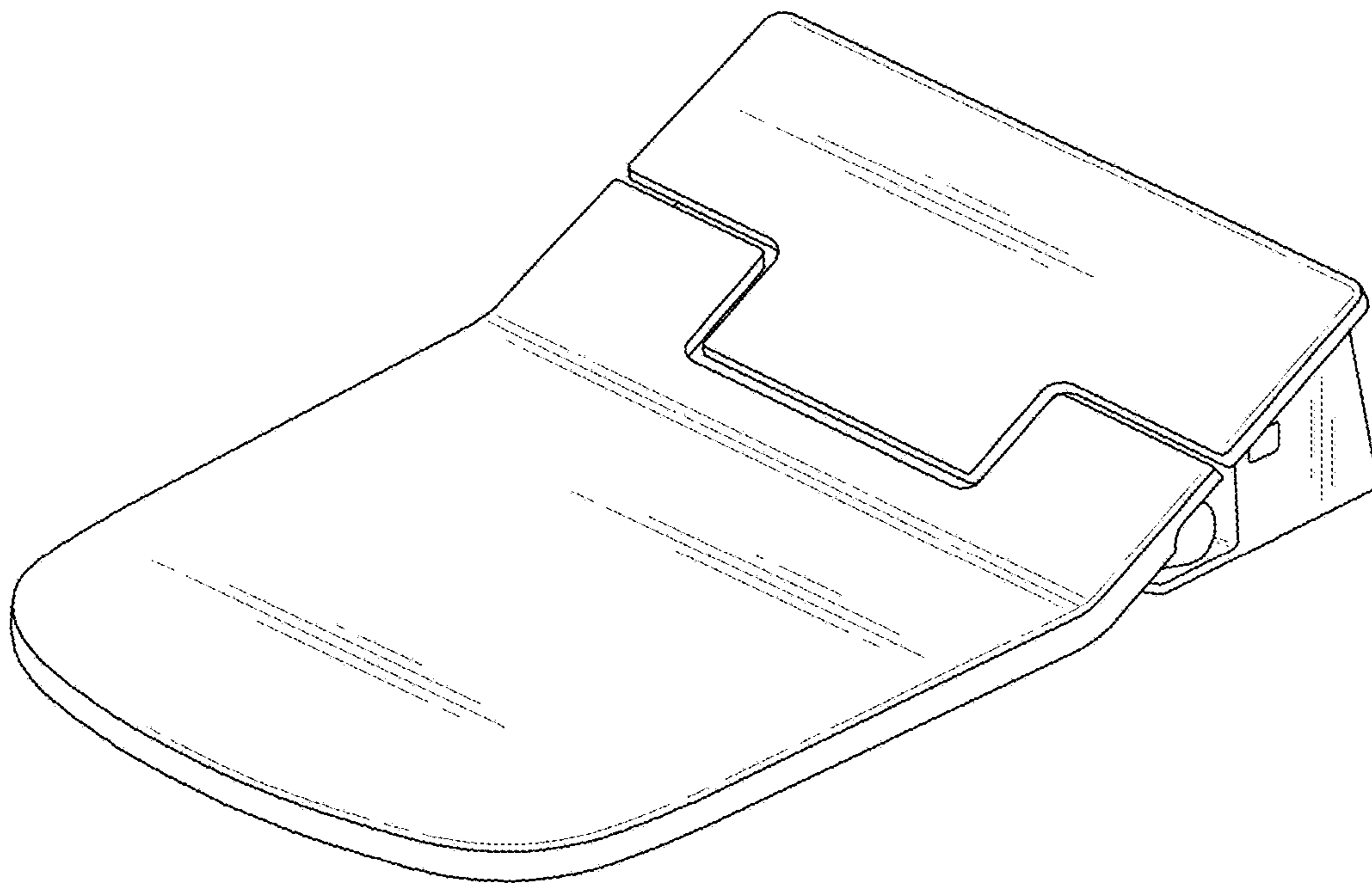
1.4



1.5



1.6



1.7