



US00D818087S

(12) **United States Design Patent** (10) **Patent No.:** **US D818,087 S**
Seum et al. (45) **Date of Patent:** **** May 15, 2018**

(54) **SHOWER MIXER**

Primary Examiner — Robert A Delehanty

(71) Applicant: **Grohe AG**, Hemer (DE)

(74) *Attorney, Agent, or Firm* — Muncy, Geissler, Olds & Lowe, P.C.

(72) Inventors: **Michael Seum**, Duesseldorf (DE);
Mirko Goetzen, Duesseldorf (DE)

(73) Assignee: **Grohe AG**, Hemer (DE)

(57) **CLAIM**

(**) Term: **15 Years**

The ornamental design for a shower mixer, as shown and described.

(21) Appl. No.: **29/603,716**

(22) Filed: **May 11, 2017**

(30) **Foreign Application Priority Data**

DESCRIPTION

Nov. 11, 2016 (EM) 003459254-0017

(51) **LOC (11) Cl.** **23-01**

(52) **U.S. Cl.**
USPC **D23/254**

(58) **Field of Classification Search**
USPC D23/250, 254, 238–24, 249; D8/300,
D8/308, 352–353, 312

CPC Y10T 137/9464
See application file for complete search history.

FIG. 1 is a front perspective view of a shower mixer according to the present invention.

FIG. 2 is a front view of the shower mixer of FIG. 1.

FIG. 3 is a rear view of the shower mixer of FIG. 1.

FIG. 4 is a left side view of the shower mixer of FIG. 1.

FIG. 5 is a right side view of the shower mixer of FIG. 1.

FIG. 6 is a top view of the shower mixer of FIG. 1; and,

FIG. 7 is a bottom view of the shower mixer of FIG. 1.

The dashed lines illustrate environment that does not form a part of the present invention, and no claim is made to the material illustrated with dashed lines.

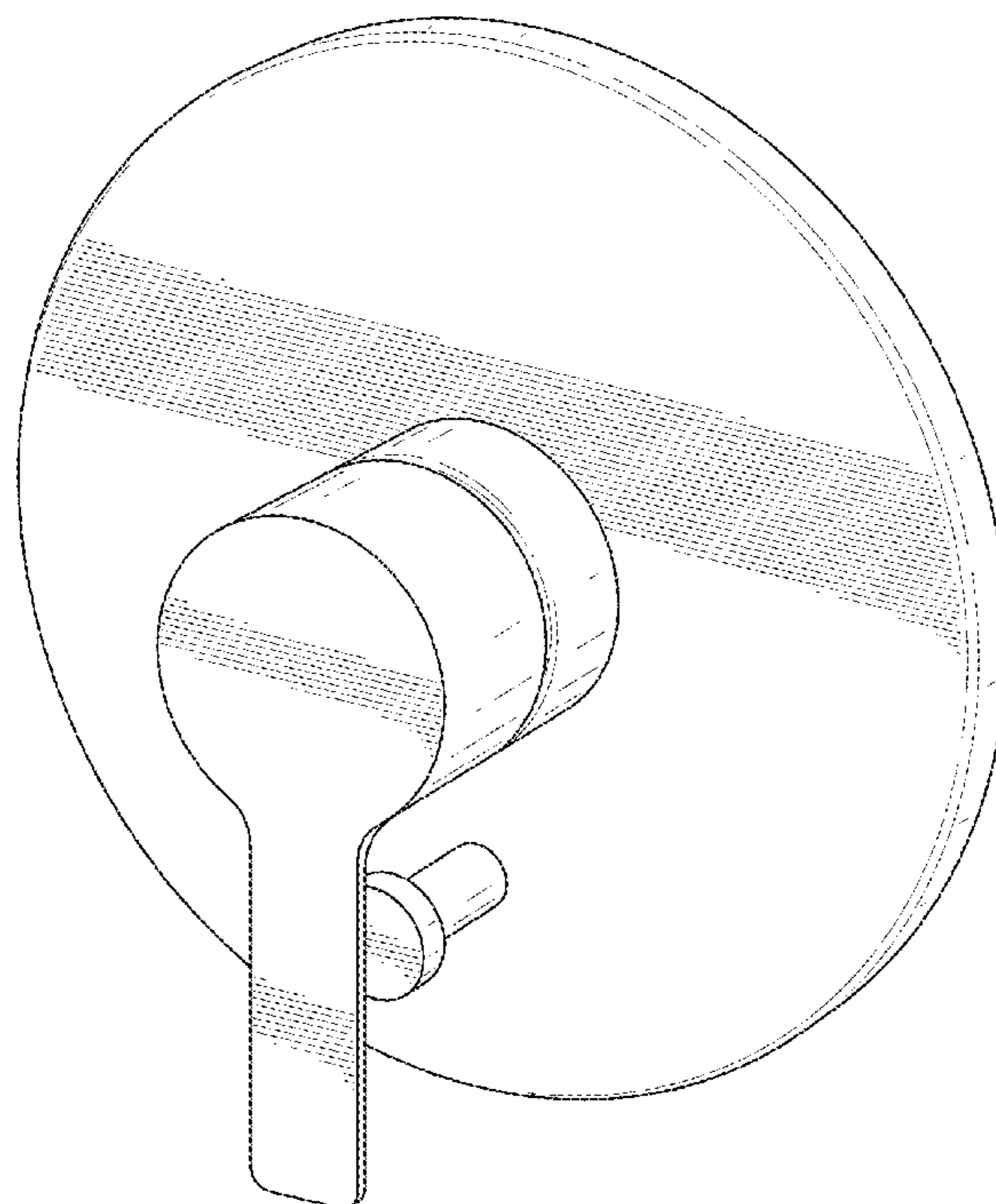
(56) **References Cited**

U.S. PATENT DOCUMENTS

D592,284 S * 5/2009 Lammel D23/254
D657,020 S * 4/2012 Flowers D23/249
D674,057 S * 1/2013 Lord D23/252
D740,395 S * 10/2015 Flowers D23/252

1 Claim, 7 Drawing Sheets

* cited by examiner



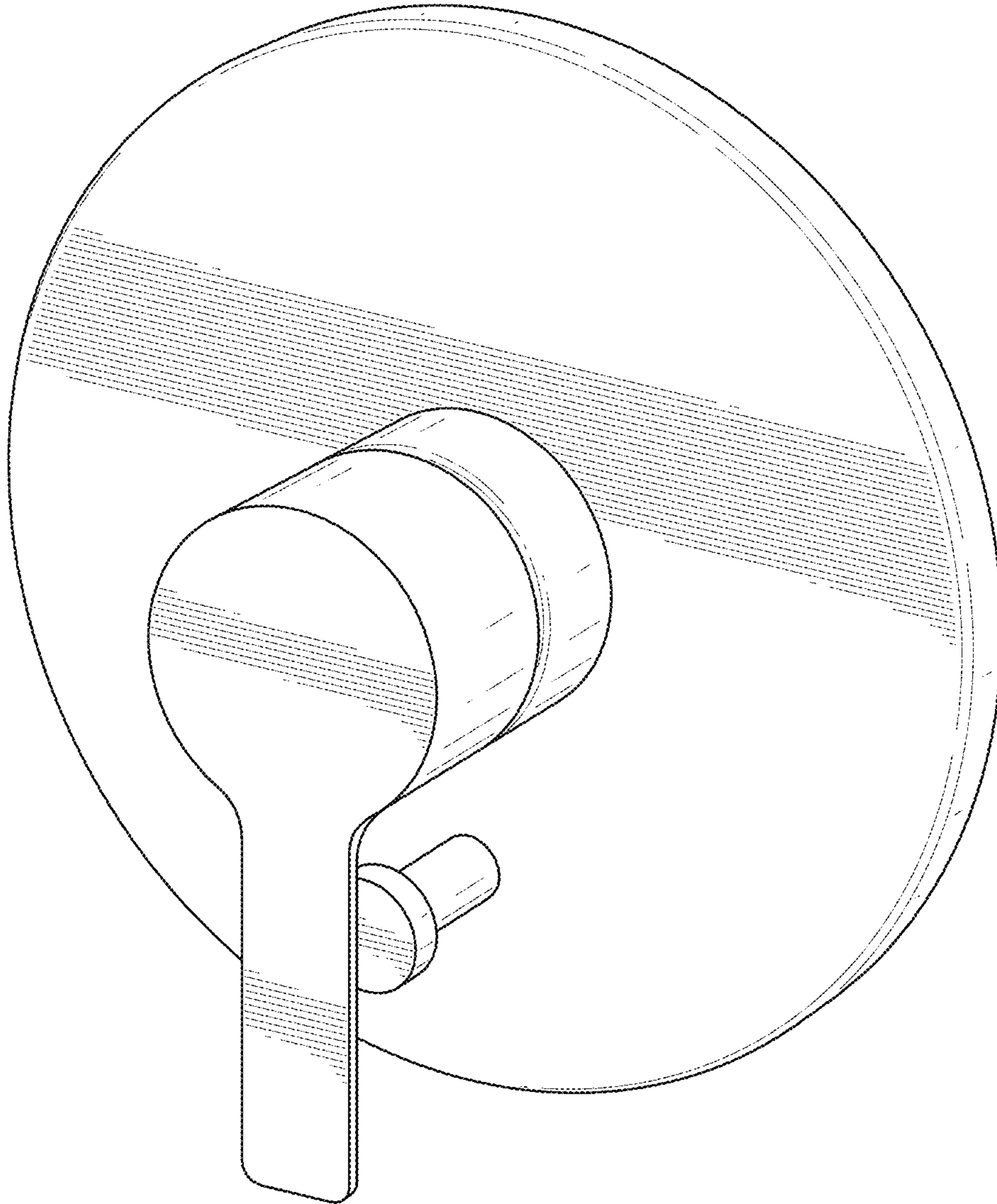


FIG. 1

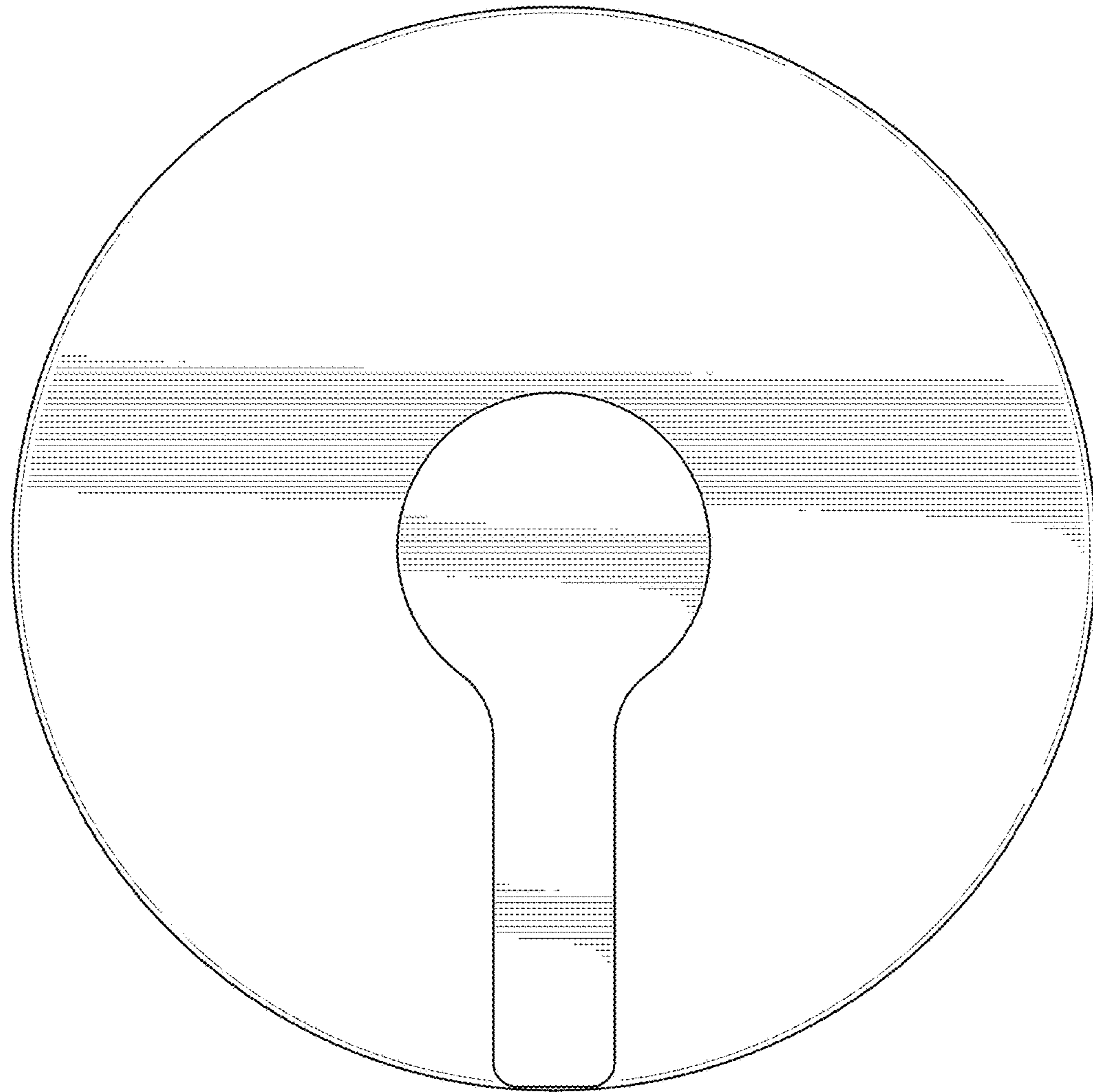


FIG. 2

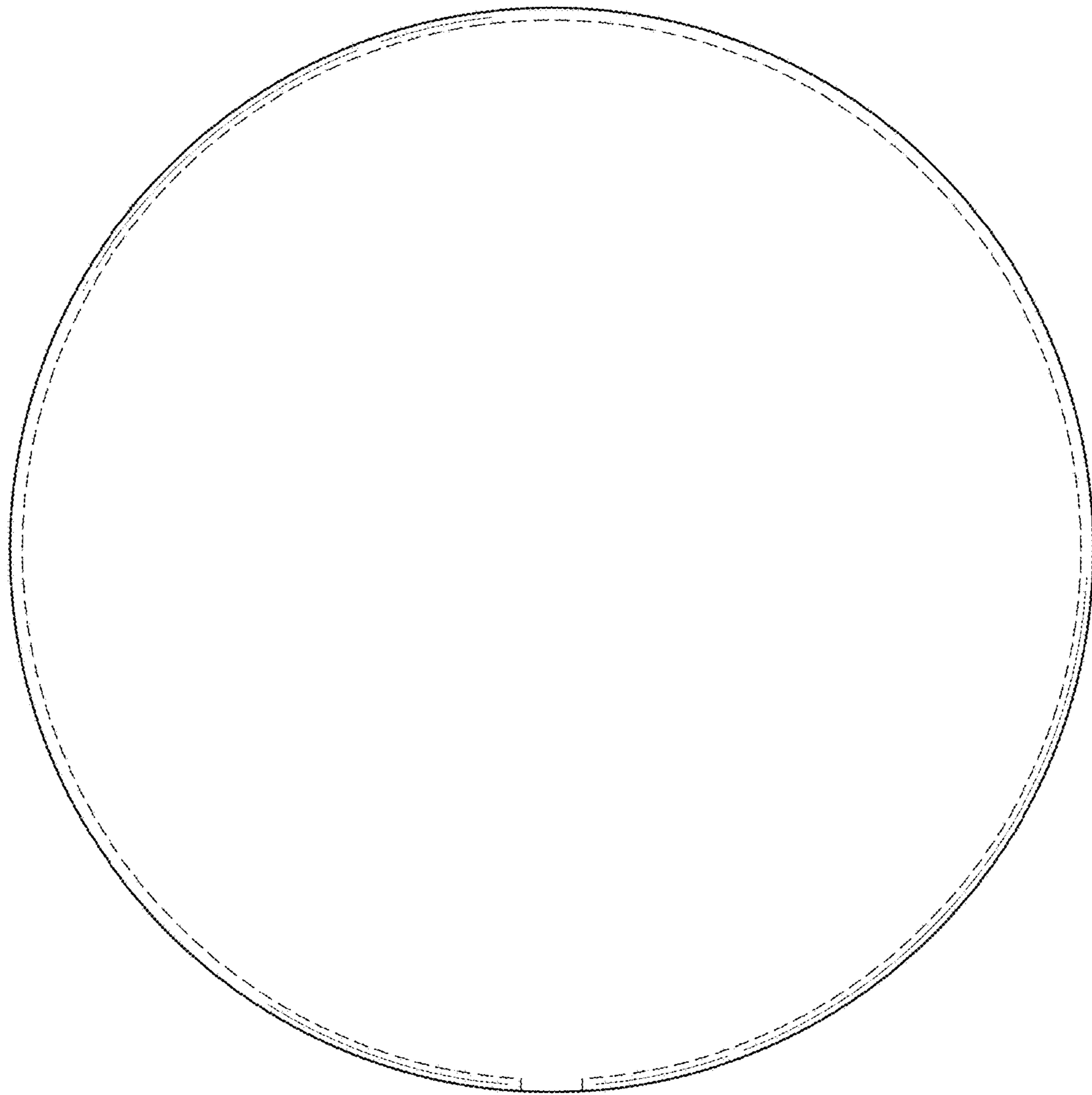


FIG.3

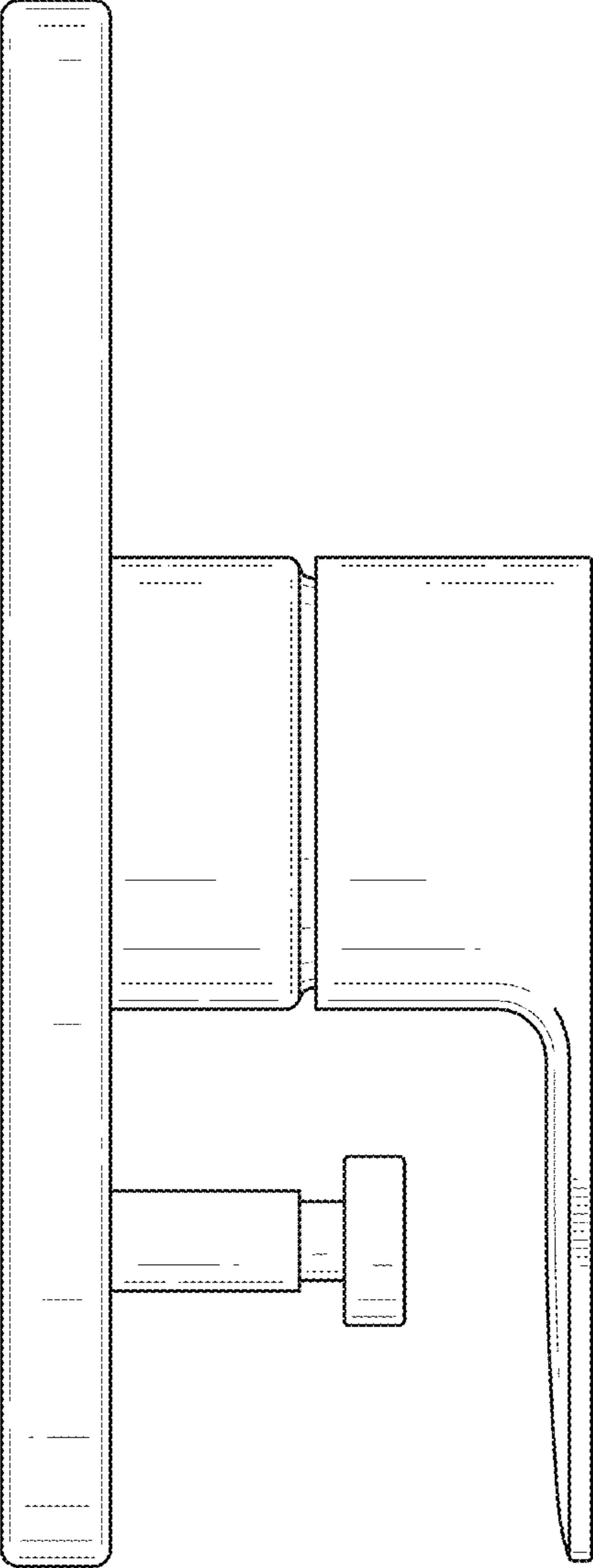


FIG.4

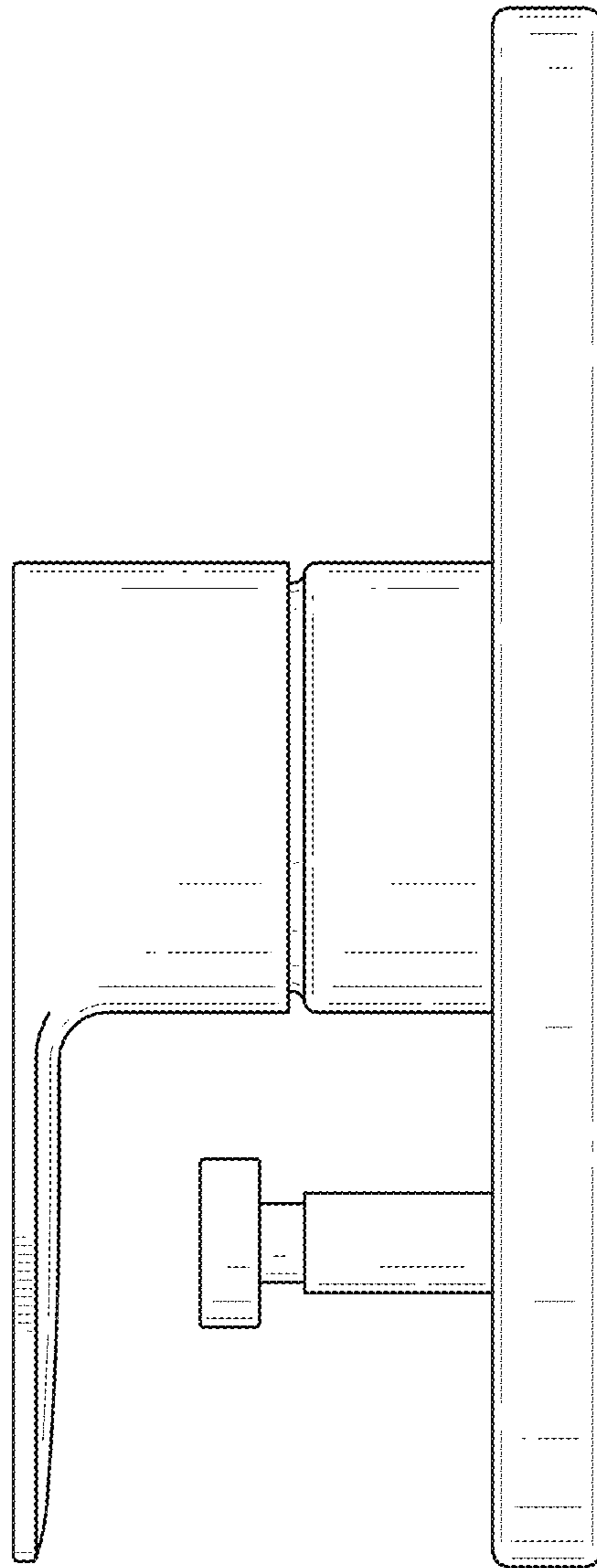


FIG. 5

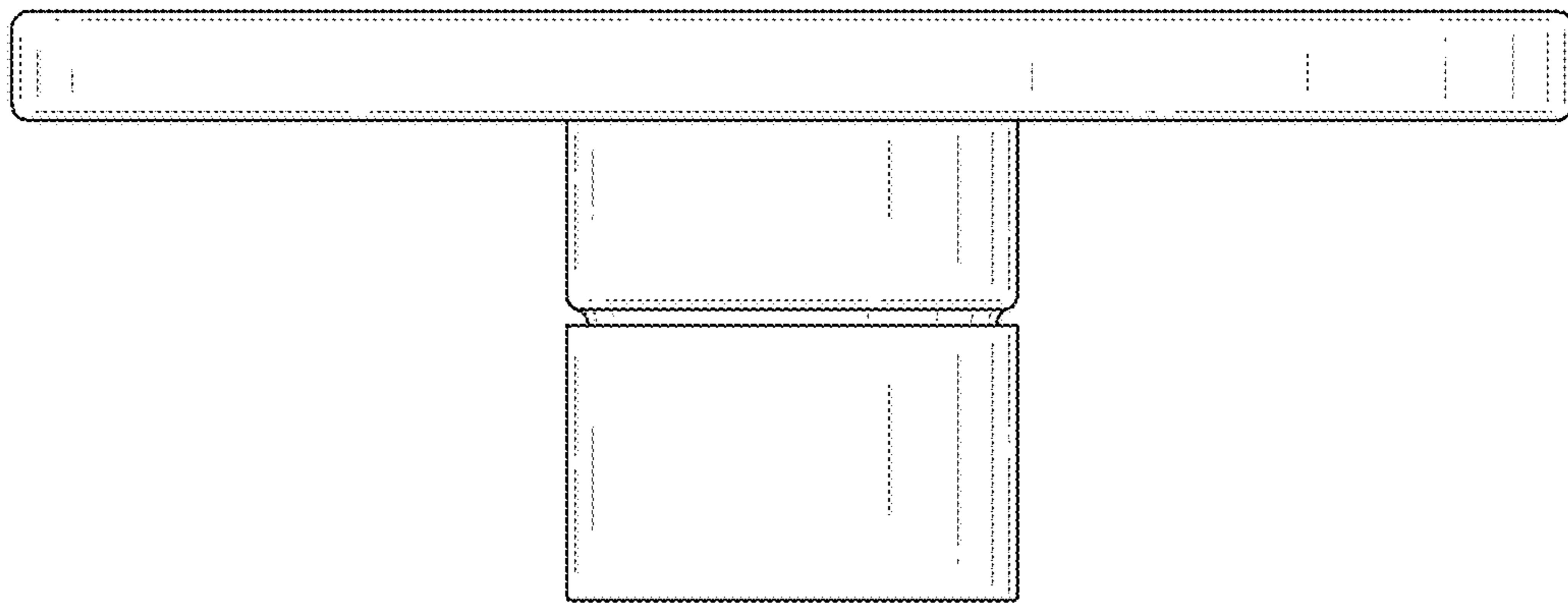


FIG.6

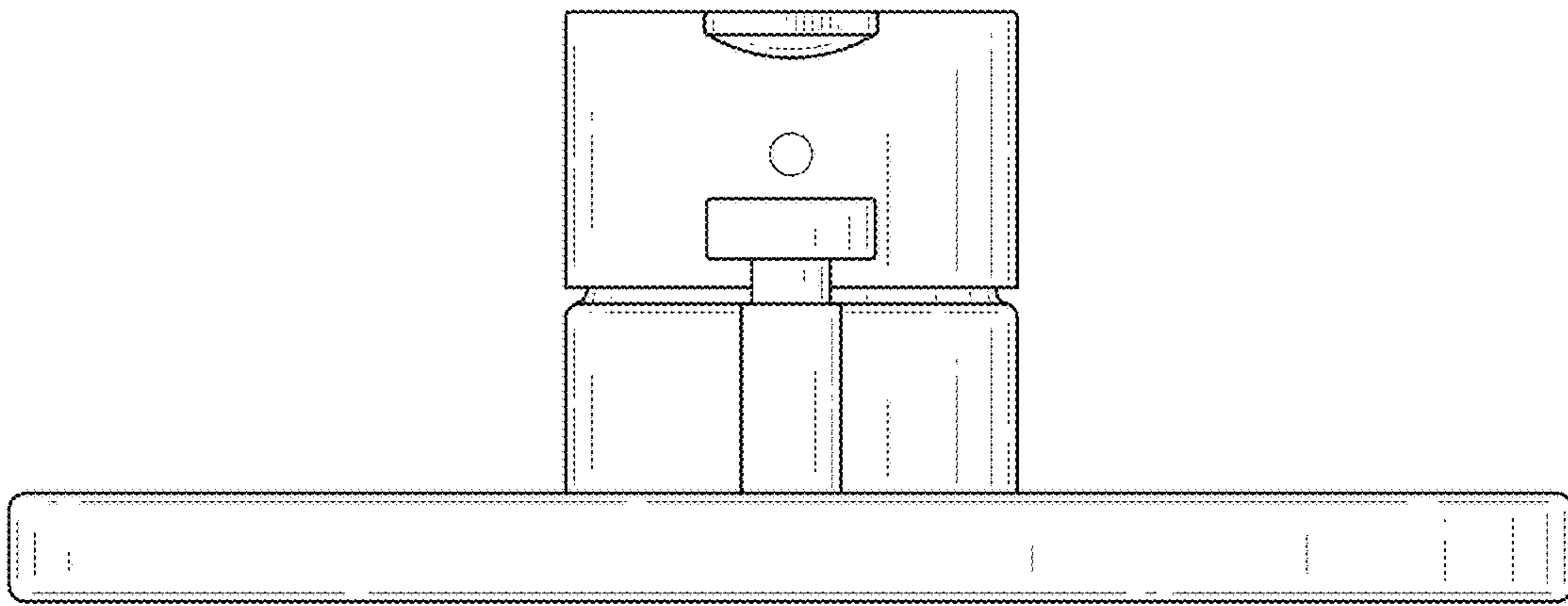


FIG.7