



US00D818086S

(12) **United States Design Patent**
Schaubach

(10) **Patent No.:** **US D818,086 S**
(45) **Date of Patent:** **** May 15, 2018**

- (54) **SPOUT**
- (71) Applicant: **Spectrum Brands, Inc.**, Middleton, WI (US)
- (72) Inventor: **Lauren Schaubach**, Costa Mesa, CA (US)
- (73) Assignee: **Spectrum Brands, Inc.**, Middleton, WI (US)
- (**) Term: **15 Years**
- (21) Appl. No.: **29/599,036**
- (22) Filed: **Mar. 30, 2017**
- (51) **LOC (11) Cl.** **23-01**
- (52) **U.S. Cl.**
USPC **D23/249**; D6/524
- (58) **Field of Classification Search**
USPC D23/237, 238, 240–243, 249, 255, 257;
D6/524
CPC E03C 1/0401; E03C 1/04; E03C 1/0402;
E03C 1/0404; B25B 23/16; C02F 1/50;
A47K 5/14; Y10T 137/9464
See application file for complete search history.

D747,210 S * 1/2016 Shalhaf D9/452
D756,970 S * 5/2016 Ferber D14/223
D790,777 S * 6/2017 Nifong D30/124

FOREIGN PATENT DOCUMENTS

CA 169422 2/2017

OTHER PUBLICATIONS

Lampe Berger Glass Petticoat reference found online [Nov. 22, 2017]—<https://www.ebay.com/itm/Pink-Frosted-Glass-Petticoat-Lampe-Berger-France-Fragrance-Lamp-Jupon-Gold-Lid/253225083784?hash=item3af5642388:g:fhwAAOSw-xVZ7ejp>*

* cited by examiner

Primary Examiner — Robert M. Spear
Assistant Examiner — John A Voytek
(74) *Attorney, Agent, or Firm* — Banner & Witcoff, Ltd.

(57) **CLAIM**

The ornamental design for a spout, as shown and described.

DESCRIPTION

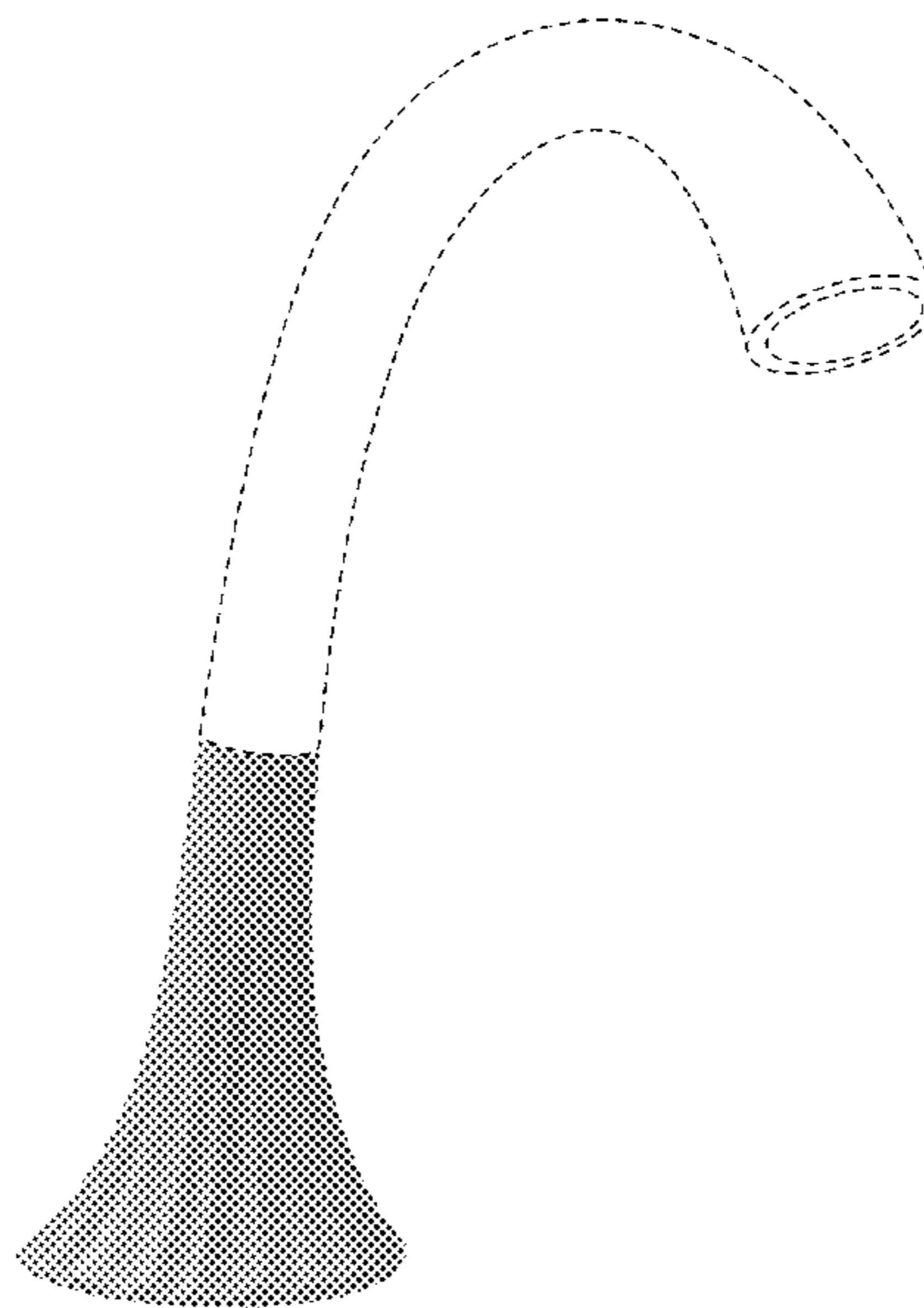
FIG. 1 is a front perspective view of a spout showing my new design;
FIG. 2 is a front view thereof;
FIG. 3 is a rear view thereof;
FIG. 4 is a left side view thereof;
FIG. 5 is a right side view thereof;
FIG. 6 is a top view thereof; and,
FIG. 7 is a bottom view thereof.
The broken line showing of the various unshaded elements of the spout represents unclaimed subject matter and forms no part of the claimed design.

1 Claim, 7 Drawing Sheets

(56) **References Cited**

U.S. PATENT DOCUMENTS

D186,085 S * 9/1959 Dallas D9/552
D212,276 S * 9/1968 Lodding D9/538
D283,449 S * 4/1986 Greenspan 26/103
D378,231 S * 2/1997 Dubin D23/252
D380,356 S * 7/1997 Husted D7/679
D477,750 S * 7/2003 Chuang D7/518
D516,357 S * 3/2006 Gilbert D6/550
D533,642 S * 12/2006 Gilbert D23/249
D569,145 S * 5/2008 Gilbert D6/524
D571,220 S * 6/2008 Pagliacci D9/551



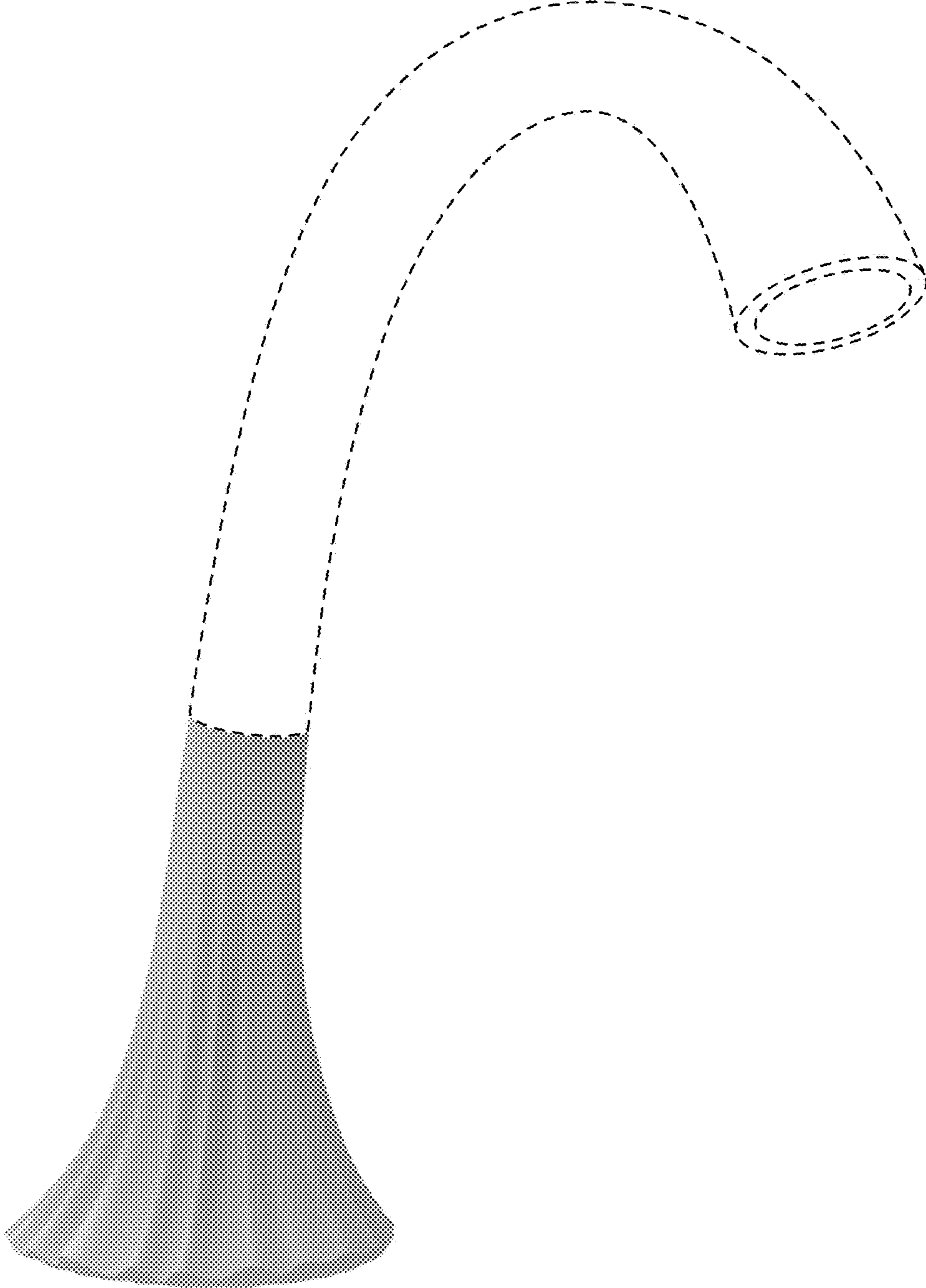


FIG. 1

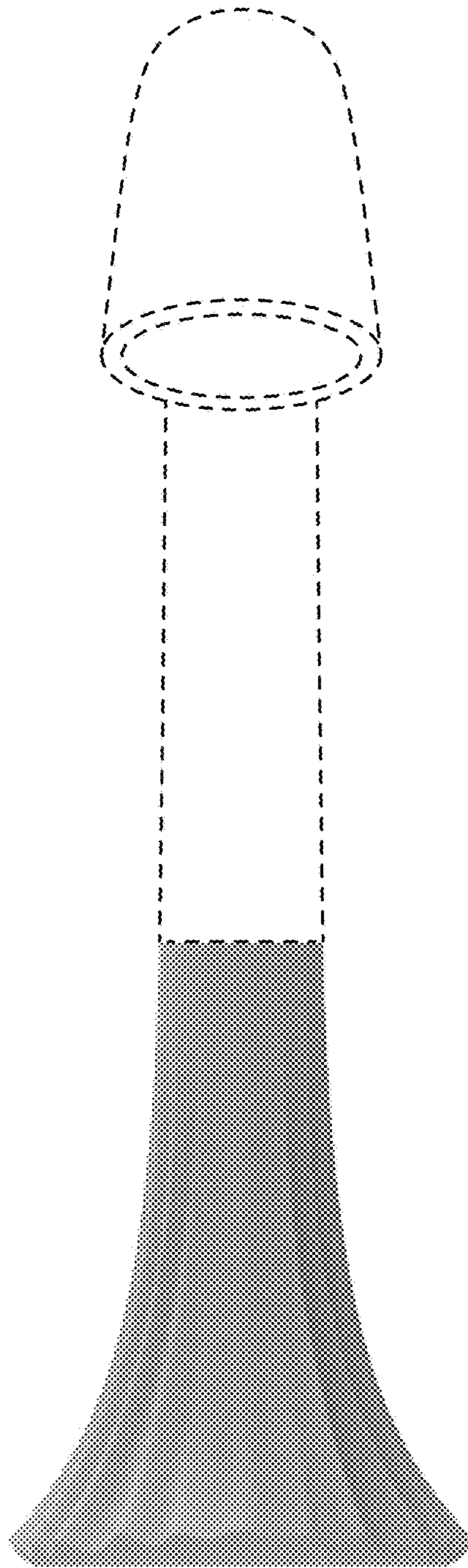


FIG. 2

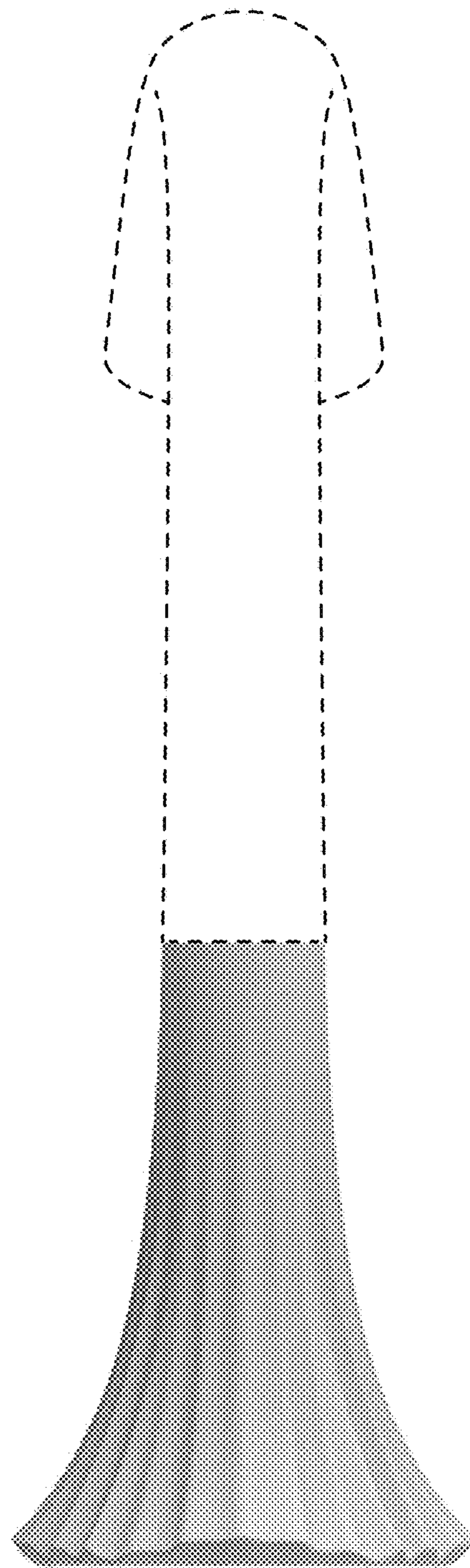


FIG. 3

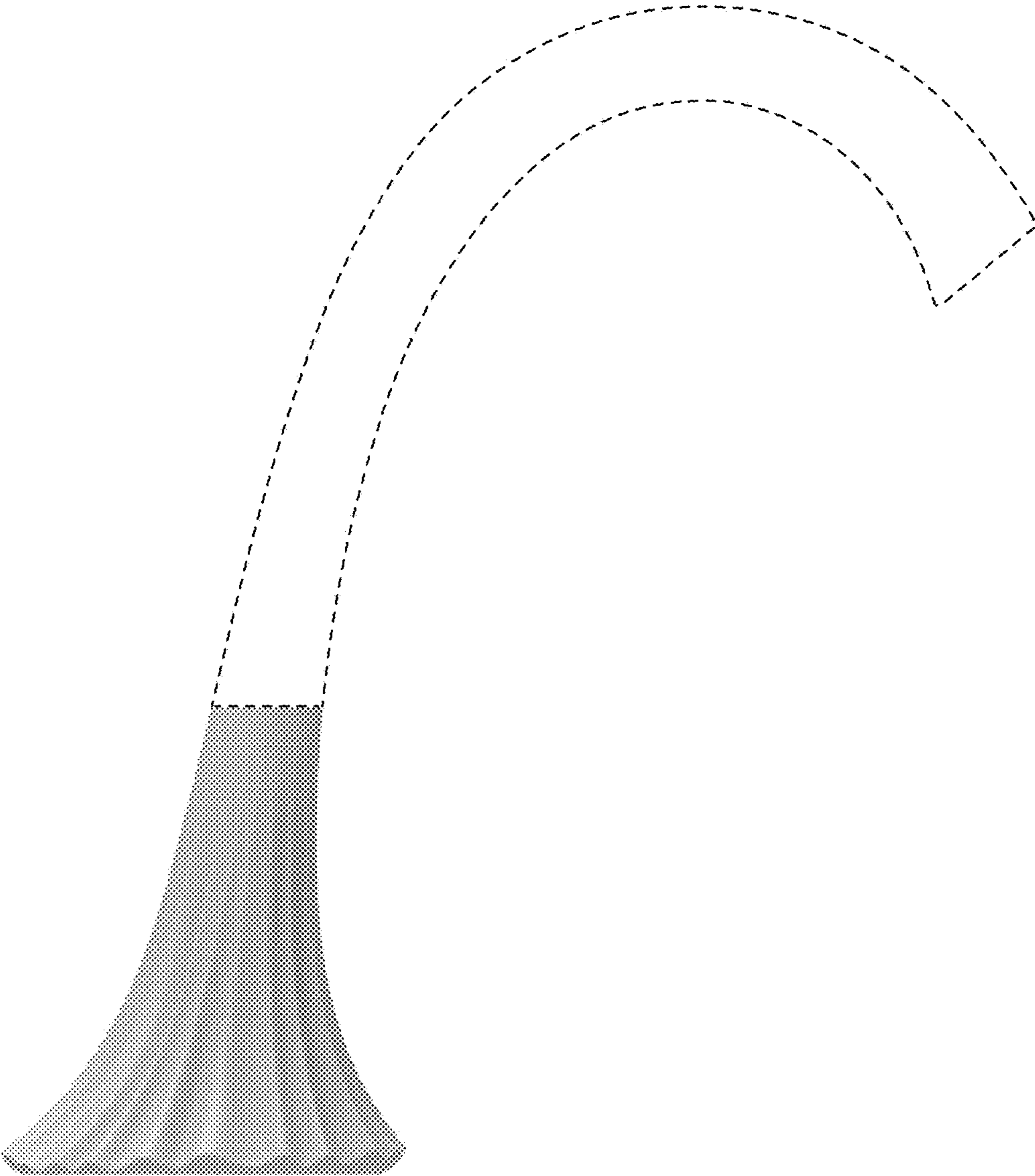


FIG. 4

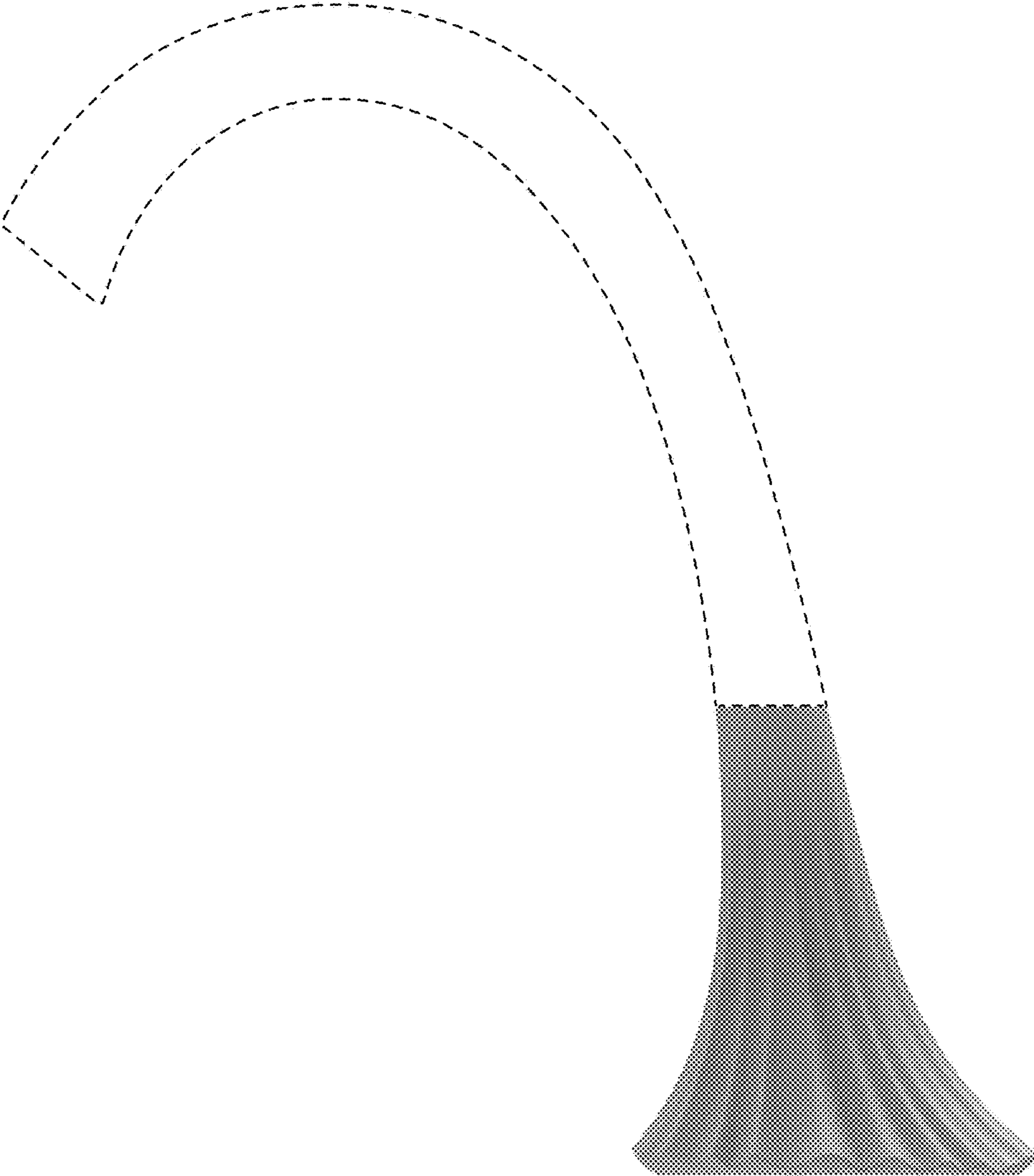


FIG. 5

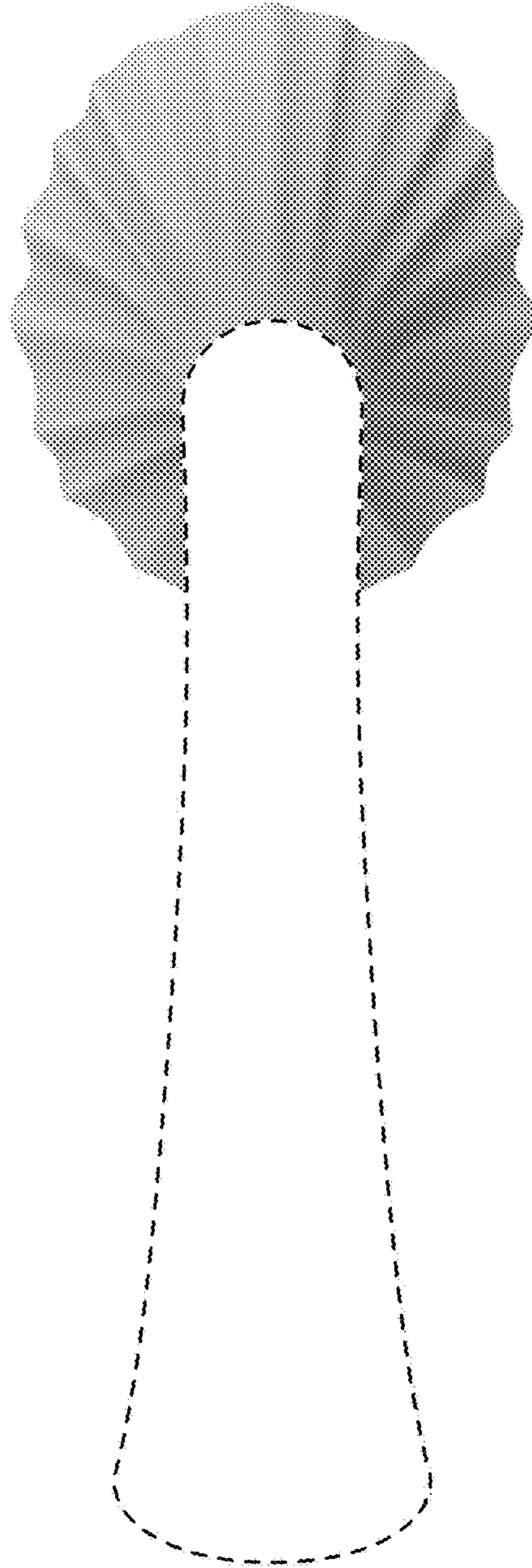


FIG. 6

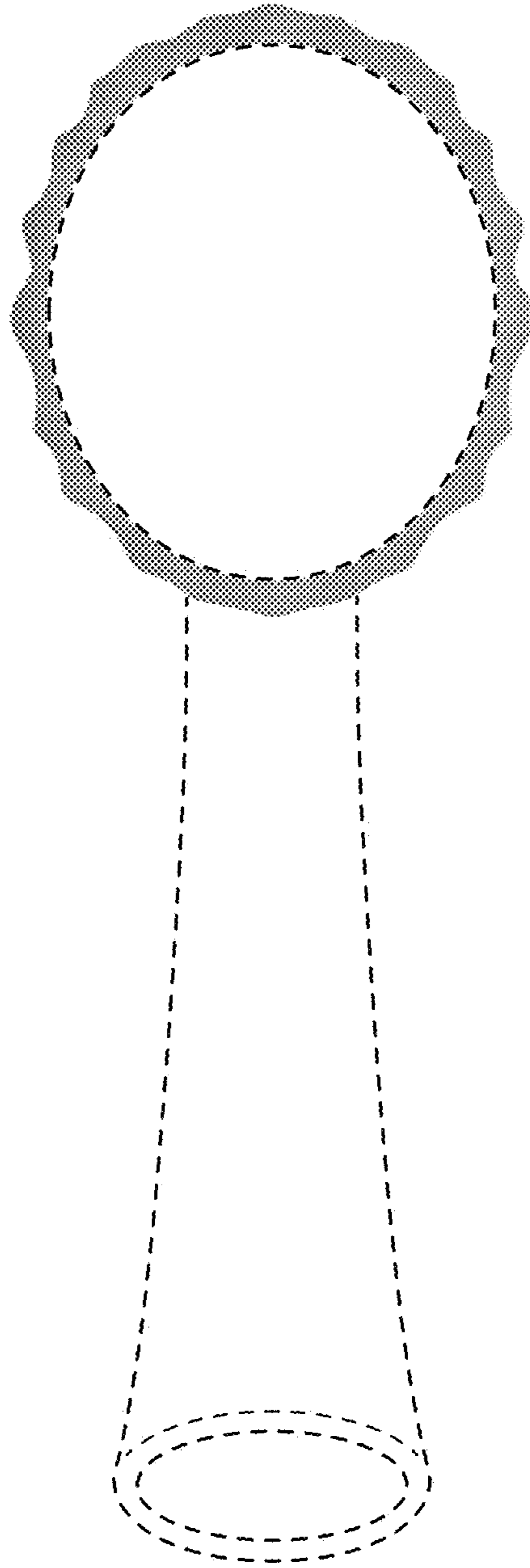


FIG. 7