



US00D818085S

(12) **United States Design Patent** (10) **Patent No.:** **US D818,085 S**
Finamore (45) **Date of Patent:** **** May 15, 2018**

- (54) **AIRBRUSH**
- (71) Applicant: **CC International, LLC**, Santa Ana, CA (US)
- (72) Inventor: **Gia Finamore**, Miami Beach, FL (US)
- (73) Assignee: **CC International, LLC**, Santa Ana, CA (US)
- (**) Term: **15 Years**
- (21) Appl. No.: **29/601,561**
- (22) Filed: **Apr. 24, 2017**

6,685,107	B1 *	2/2004	Salzman	B05B 7/24
					222/383.1
D523,924	S *	6/2006	Byron	D23/213
D538,884	S *	3/2007	Fontaine	D23/223
D613,820	S *	4/2010	Chou	D23/223
D642,239	S *	7/2011	Liao	D23/213
D725,740	S *	3/2015	Sanwald	D23/223
D764,024	S *	8/2016	Cleroux	D23/225
D779,037	S *	2/2017	Rasmussen	D23/223
D780,891	S *	3/2017	Endo	D23/226
D785,136	S *	4/2017	Finamore	D23/223
D802,053	S *	11/2017	Gupta	D19/108
2008/0257988	A1 *	10/2008	Hahn	B05B 9/0426
					239/525
2009/0266916	A1 *	10/2009	Fedorov	B05B 1/3013
					239/308
2012/0006431	A1 *	1/2012	Gilpatrick	A01G 25/145
					137/565.01
2012/0032004	A1 *	2/2012	Dejong	B05B 11/3011
					239/526

Related U.S. Application Data

- (63) Continuation of application No. 29/552,162, filed on Jan. 20, 2016, now Pat. No. Des. 785,136.
- (51) **LOC (11) Cl.** **23-01**
- (52) **U.S. Cl.** **D23/223**
USPC
- (58) **Field of Classification Search**
USPC D23/223, 226, 213, 225; D19/108;
239/290, 291, 526
CPC B05B 1/005
See application file for complete search history.

References Cited

U.S. PATENT DOCUMENTS

D199,651	S *	11/1964	Sundberg	D23/213
4,651,929	A *	3/1987	Kranzle	B05B 9/01
					222/473
6,170,758	B1 *	1/2001	Lee	A47L 5/18
					239/124
D450,371	S *	11/2001	Liao	D19/108
D465,547	S *	11/2002	Tse	D23/213
6,663,023	B1 *	12/2003	Jou	B05B 1/005
					239/526

(Continued)

Primary Examiner — Robin V Webster

Assistant Examiner — Rachel Voorhies

(74) *Attorney, Agent, or Firm* — Economou Silfin LLP

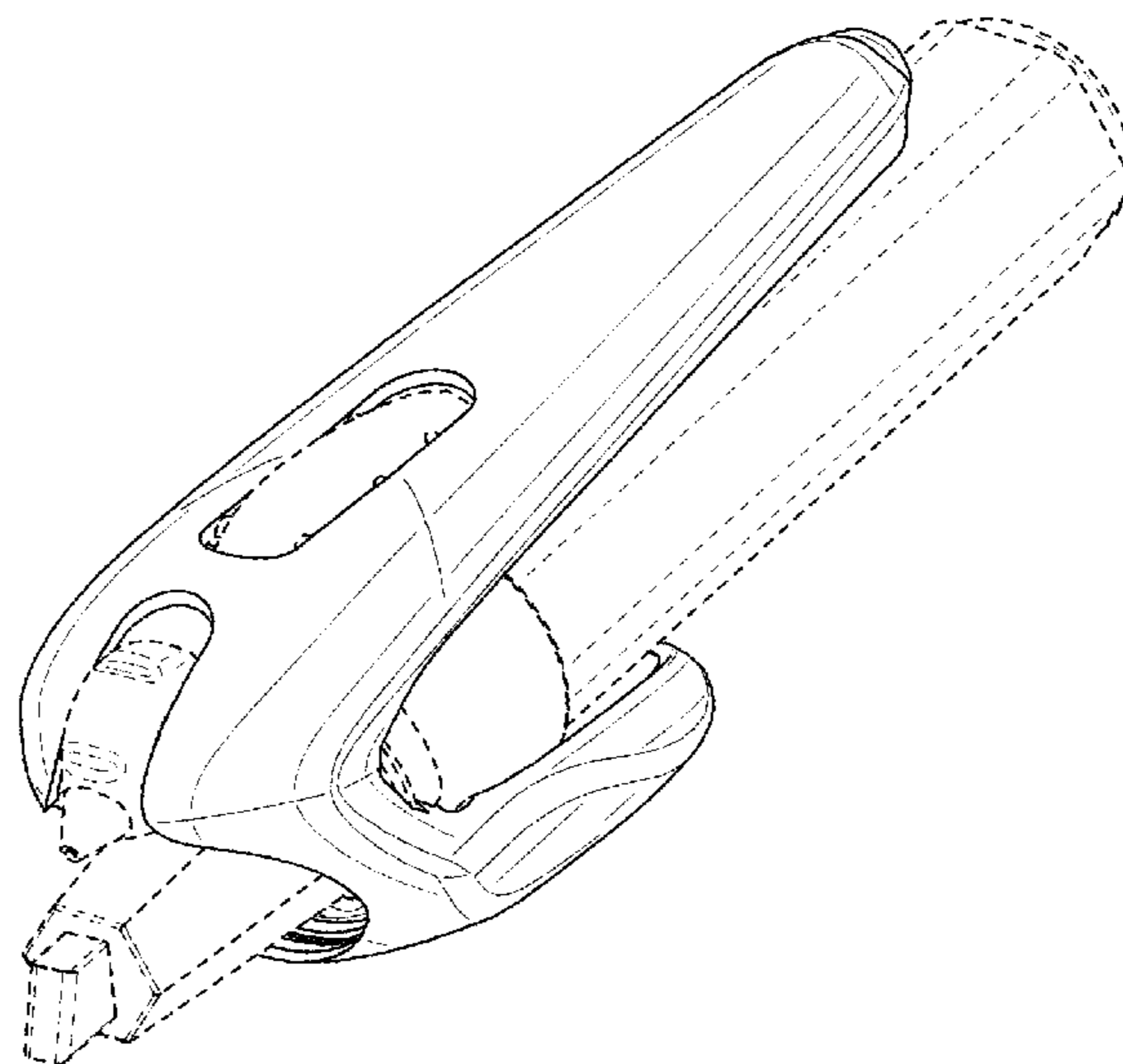
(57) **CLAIM**

The ornamental design for an airbrush, as shown and described.

DESCRIPTION

FIG. 1 is a perspective view of an airbrush showing my new design;
 FIG. 2 is a front view of the airbrush of FIG. 1;
 FIG. 3 is a rear view of the airbrush of FIG. 1;
 FIG. 4 is a left side view of the airbrush of FIG. 1;
 FIG. 5 is a right side view of the airbrush of FIG. 1;
 FIG. 6 is a top plan view of the airbrush of FIG. 1; and,
 FIG. 7 is a bottom plan view of the airbrush of FIG. 1.
 The broken lines in the drawings illustrate portions of the airbrush which form no part of the claimed design.

1 Claim, 7 Drawing Sheets



(56)

References Cited

U.S. PATENT DOCUMENTS

2016/0058262 A1* 3/2016 Charlton B05B 9/01
401/138

* cited by examiner

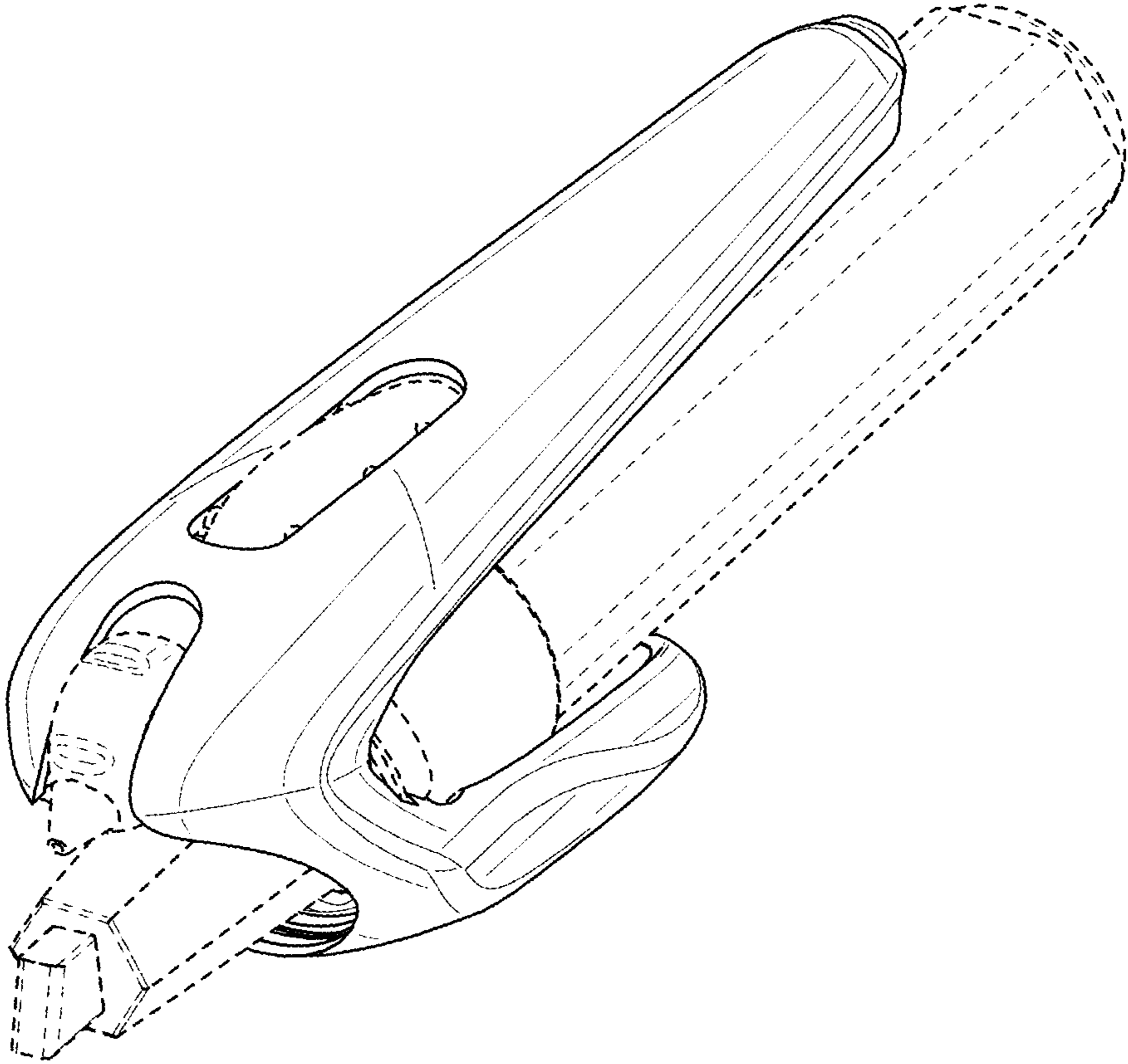


FIG. 1

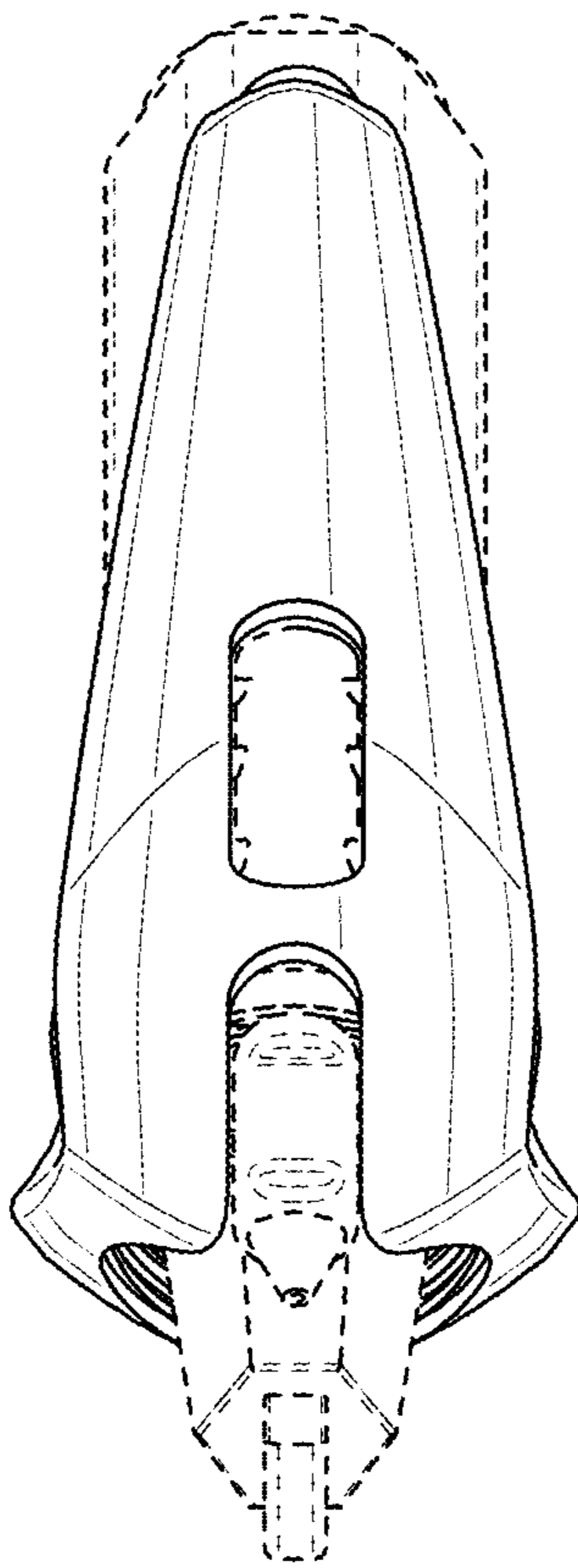


FIG. 2

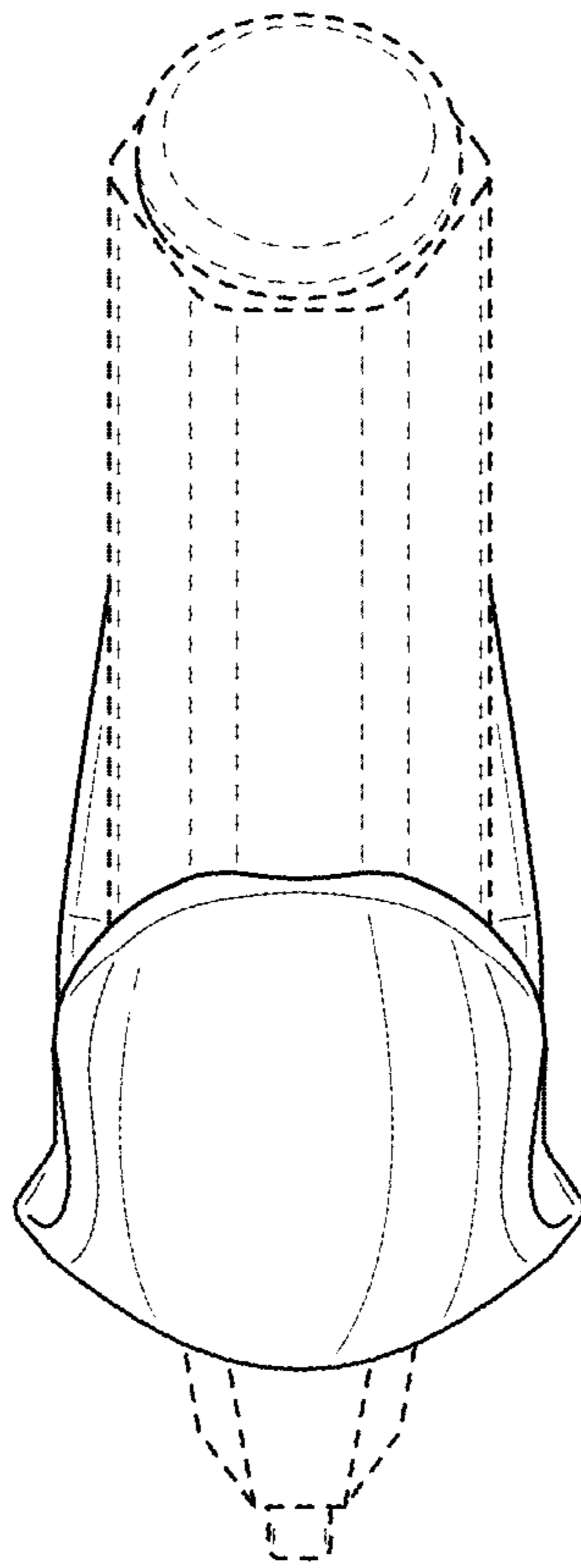


FIG. 3

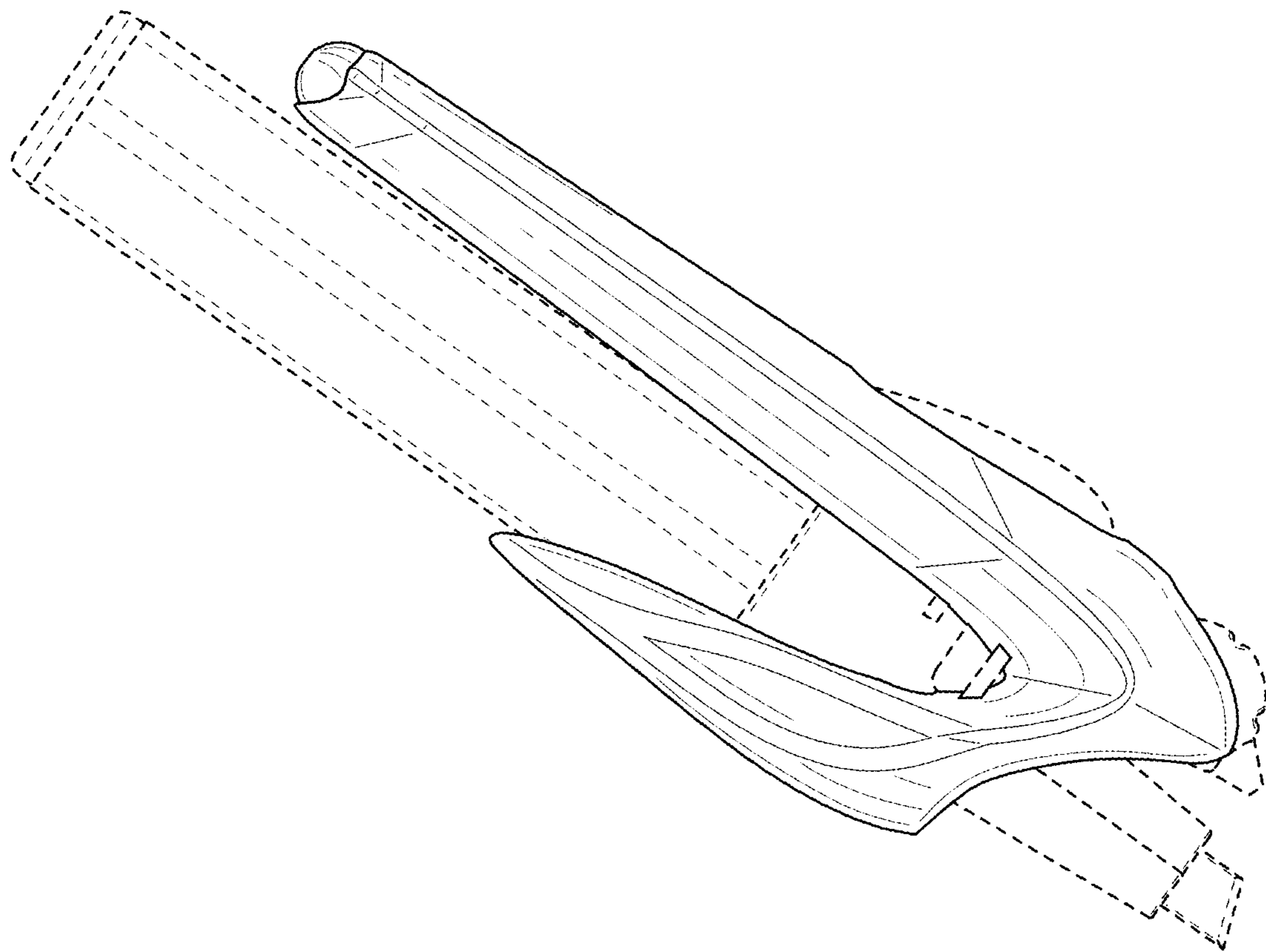


FIG. 4

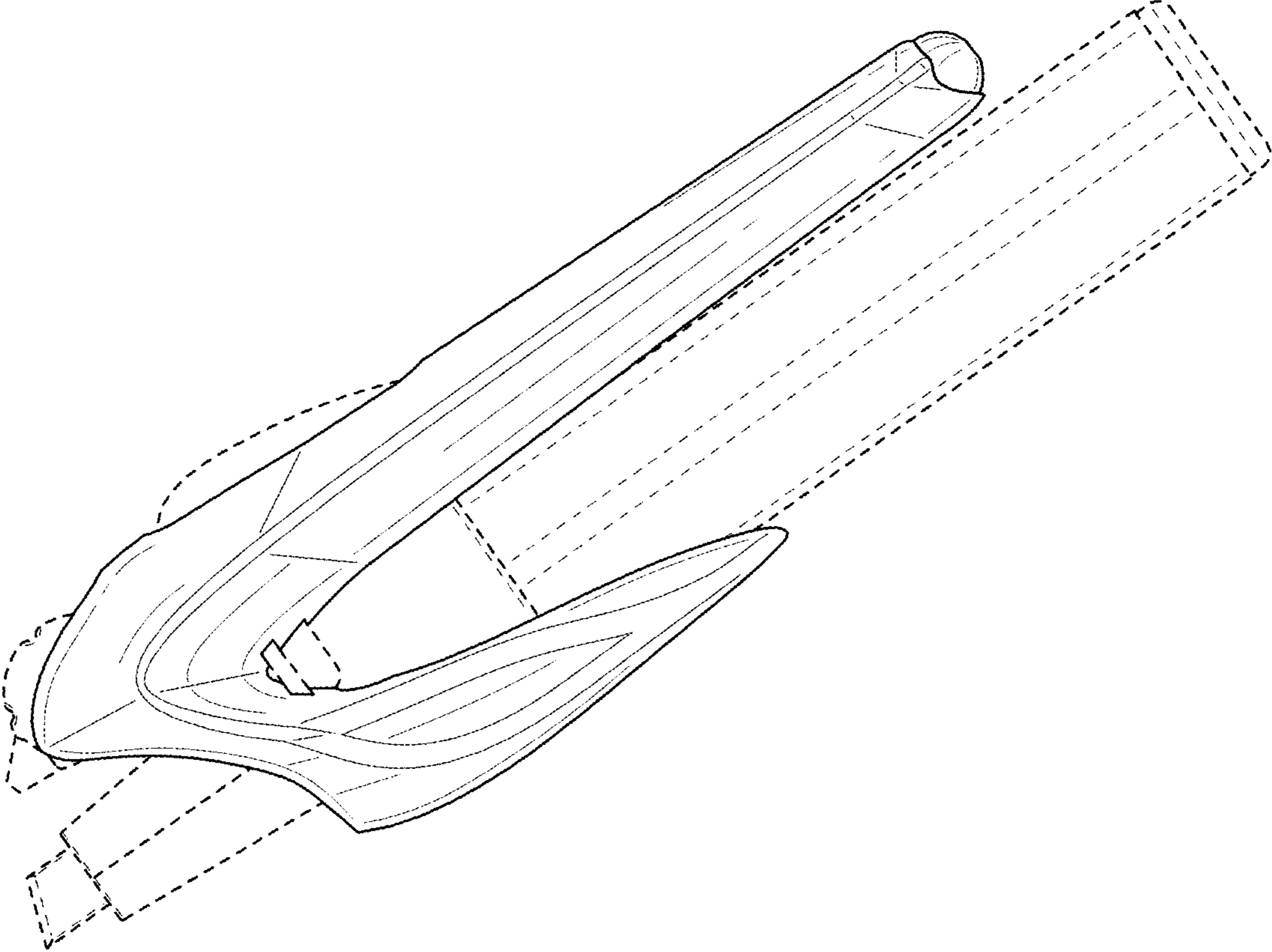


FIG. 5

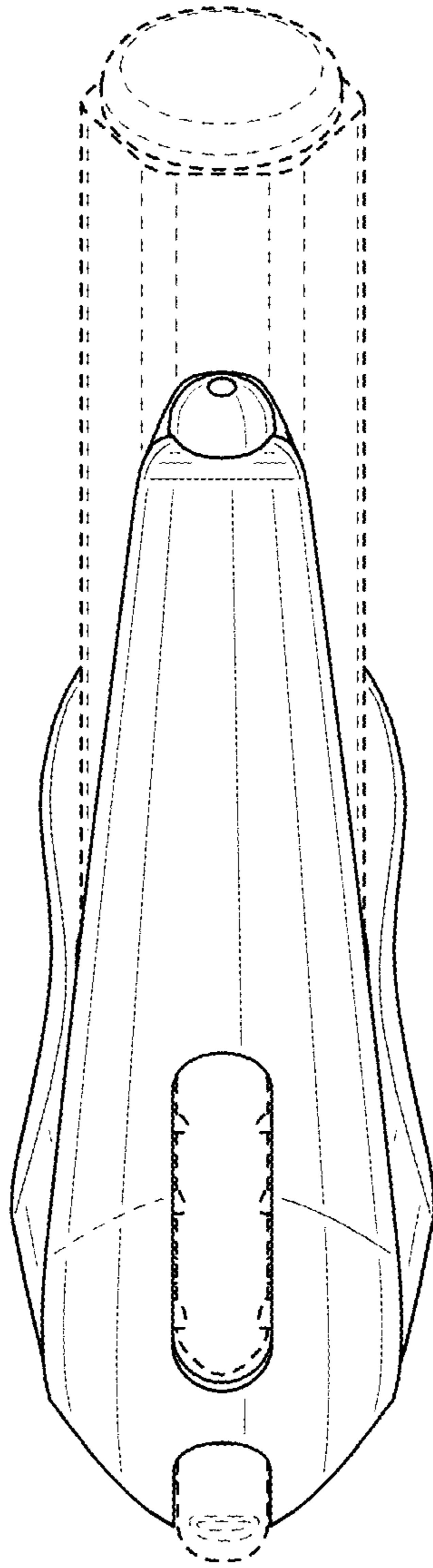


FIG. 6

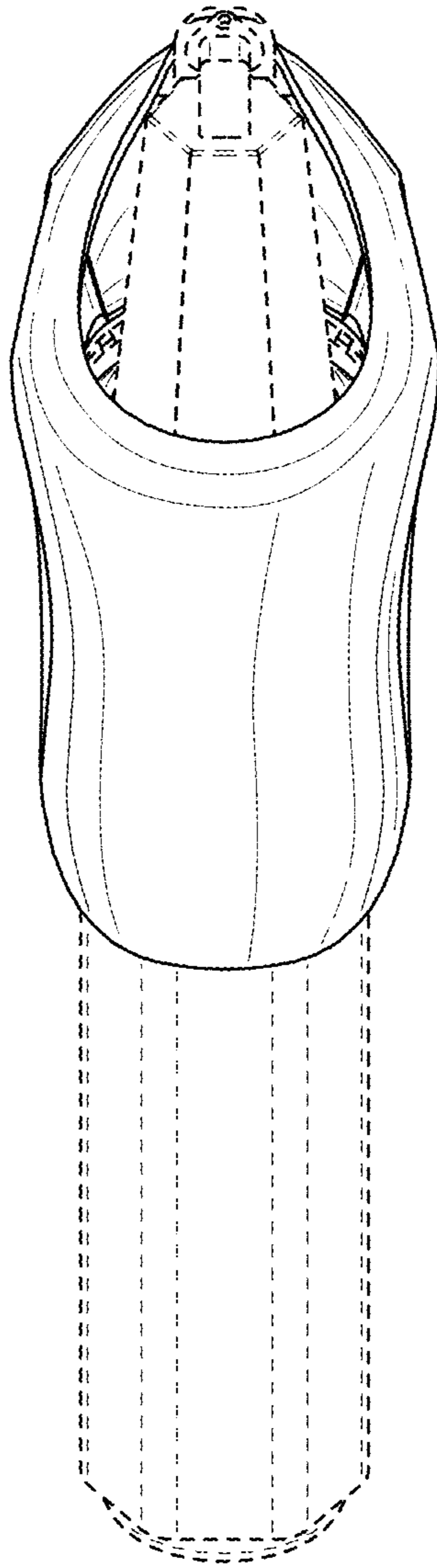


FIG. 7