



US00D818084S

(12) **United States Design Patent** (10) **Patent No.:** **US D818,084 S**
Finamore (45) **Date of Patent:** **** May 15, 2018**

(54) **AIRBRUSH SYSTEM**

(71) Applicant: **CC International, LLC**, Santa Ana, CA (US)
(72) Inventor: **Gia Finamore**, Miami Beach, FL (US)
(73) Assignee: **CC International, LLC**, Santa Ana, CA (US)
(**) Term: **15 Years**
(21) Appl. No.: **29/601,559**
(22) Filed: **Apr. 24, 2017**

D505,393 S * 5/2005 Mullet D13/168
D540,038 S * 4/2007 Hussaini D3/201
D545,467 S * 6/2007 Chun D26/37
D548,196 S * 8/2007 Bonnaud D13/168
D577,417 S * 9/2008 Olsson D23/223
D619,546 S * 7/2010 Chiu D13/168
D632,761 S * 2/2011 Cane D23/213
D652,891 S * 1/2012 Choi D23/207
D656,478 S * 3/2012 Barley D14/159
D720,103 S * 12/2014 Haug D32/21
D736,544 S * 8/2015 Lampman D6/663
D778,264 S * 2/2017 Stapelbroek D14/218
D778,265 S * 2/2017 Parfitt D14/218
D781,250 S * 3/2017 Cartwright D13/168
9,603,425 B2 * 3/2017 Diebel A45C 11/00

(Continued)

Related U.S. Application Data

(63) Continuation of application No. 29/552,157, filed on Jan. 20, 2016, now Pat. No. Des. 785,135.
(51) **LOC (11) Cl.** **23-01**
(52) **U.S. Cl.**
USPC **D23/223**
(58) **Field of Classification Search**
USPC D23/202, 207, 210, 221, 223, 214, 209, D23/213; D14/191, 218; D13/171, 168; D21/556
CPC A62C 37/12; A62C 35/68; B65G 64/04; B65G 1/00; B65D 85/00; B65D 1/00; B65D 88/54; B05B 7/2416; B05B 7/2483; C02F 1/003; C02F 1/283; C02F 9/005; A01K 63/045
See application file for complete search history.

Primary Examiner — Robin V Webster
Assistant Examiner — Rachel Voorhies

(74) *Attorney, Agent, or Firm* — Economou Silfin LLP

(57) **CLAIM**

The ornamental design for an airbrush system, as shown and described.

DESCRIPTION

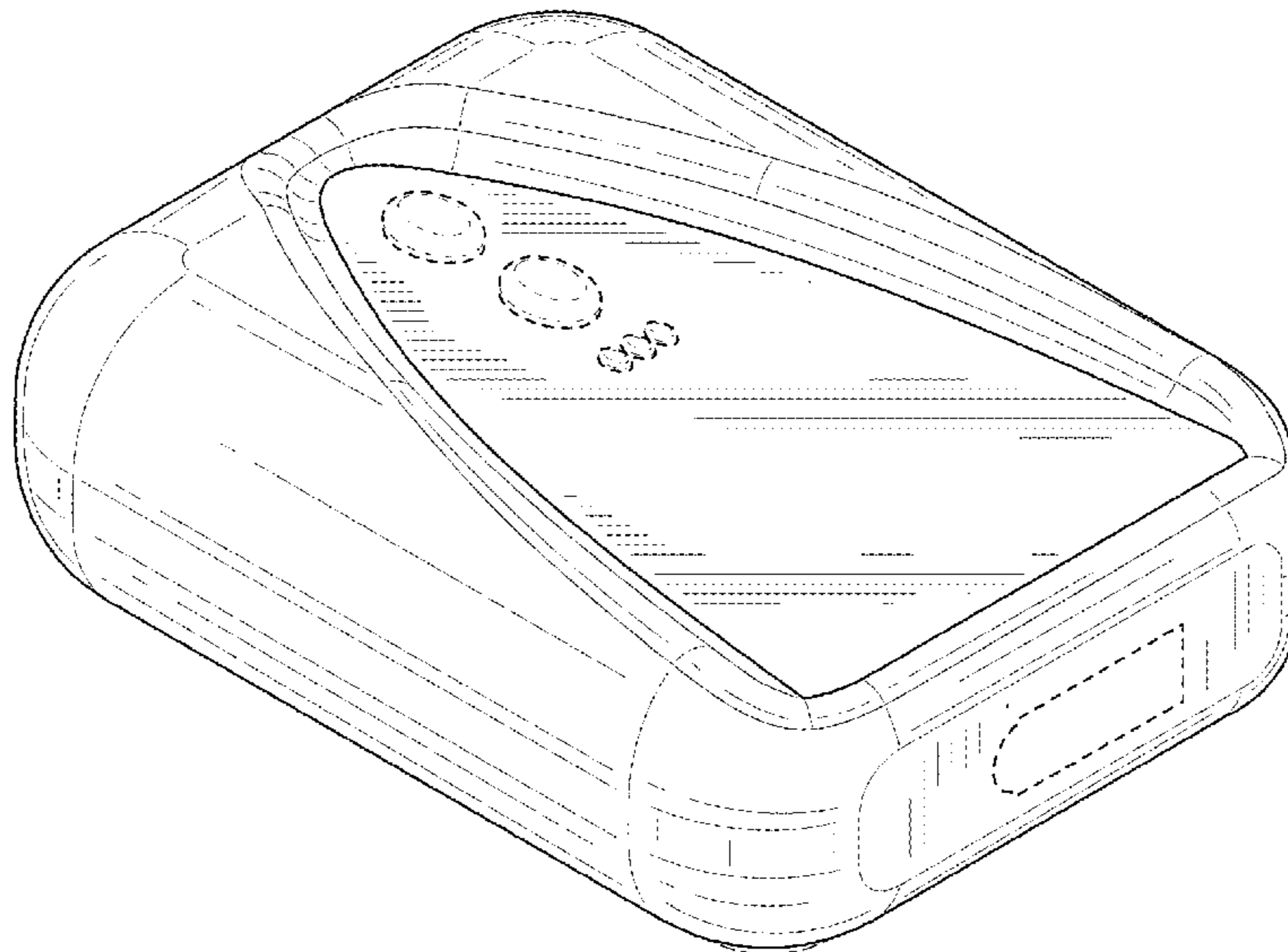
FIG. 1 is a perspective view of an embodiment of an airbrush system showing my new design;
FIG. 2 is another perspective view of an embodiment of an airbrush system showing my new design;
FIG. 3 is a front view of the airbrush system of FIG. 2;
FIG. 4 is a rear view of the airbrush system of FIG. 2;
FIG. 5 is a left side view of the airbrush system of FIG. 2;
FIG. 6 is a right side view of the airbrush system of FIG. 2;
FIG. 7 is a top plan view of the airbrush system of FIG. 2;
and,
FIG. 8 is a bottom plan view of the airbrush system of FIG. 2.
The broken lines in the drawings illustrate portions of the airbrush system which form no part of the claimed design.

(56) **References Cited**

U.S. PATENT DOCUMENTS

D346,805 S * 5/1994 Kim D14/225
D365,771 S * 1/1996 Clivio D10/40
D471,535 S * 3/2003 Bey D14/218
D478,605 S * 8/2003 Guzman D13/168

1 Claim, 8 Drawing Sheets



(56)

References Cited

U.S. PATENT DOCUMENTS

D785,135 S * 4/2017 Finamore D23/223
D788,719 S * 6/2017 Li D13/171
D794,745 S * 8/2017 Tahkio D23/202
9,731,862 B2 * 8/2017 Mays B65D 21/0233
D800,586 S * 10/2017 Parham D10/70
D804,452 S * 12/2017 Parfitt D14/218
D804,610 S * 12/2017 Rubio D23/207
9,833,803 B2 * 12/2017 Hart B05B 7/2416
2009/0045086 A1 * 2/2009 Agresta A01K 63/045
206/301
2011/0192790 A1 * 8/2011 Underwood B01L 3/0293
210/541
2012/0067977 A1 * 3/2012 Spiegel B05B 7/068
239/337
2015/0147473 A1 * 5/2015 Tse B05B 7/2429
427/256
2015/0189972 A1 * 7/2015 Mehta A45D 34/04
132/200
2016/0361673 A1 * 12/2016 Cai C02F 1/44

* cited by examiner

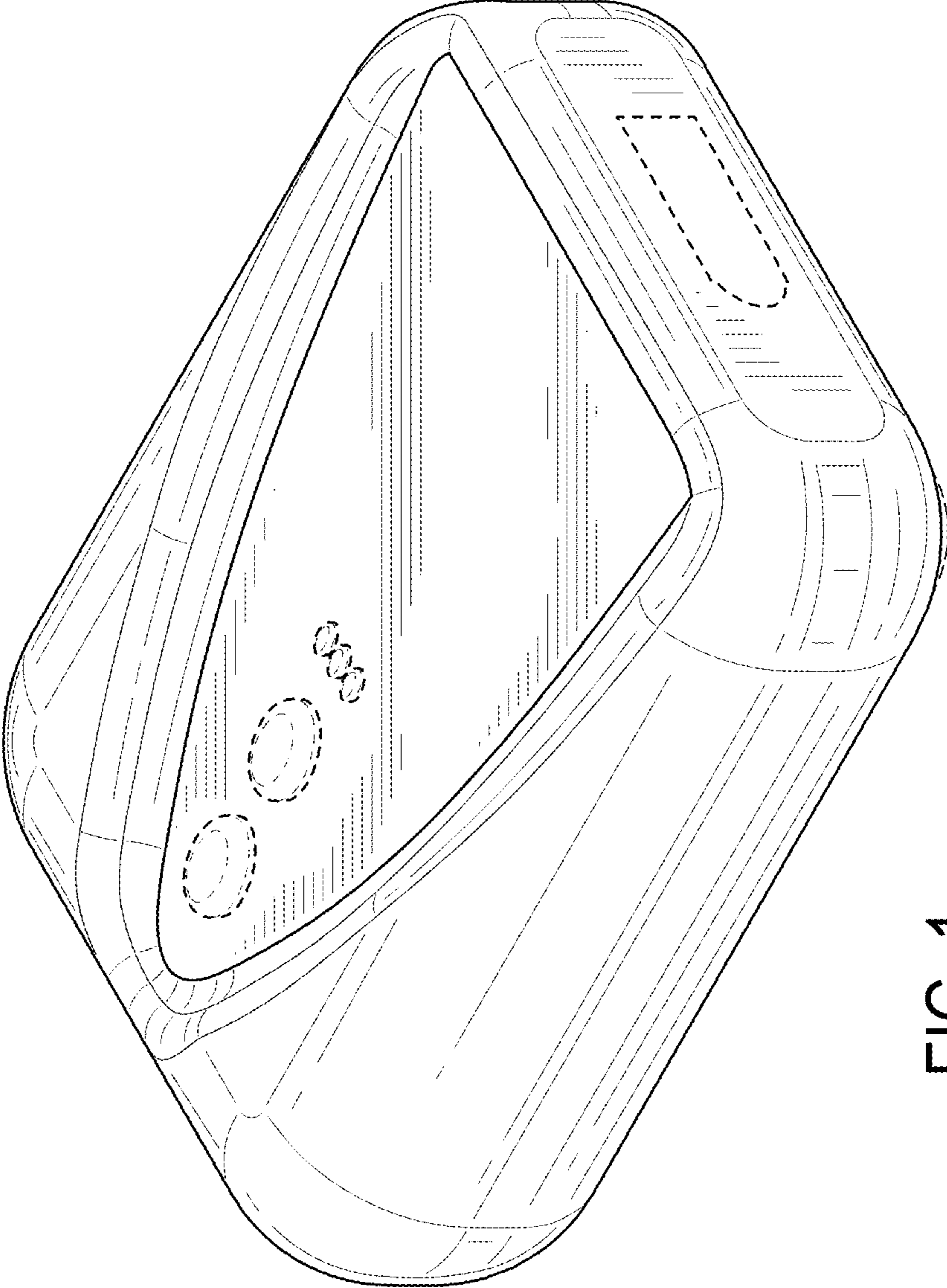


FIG. 1

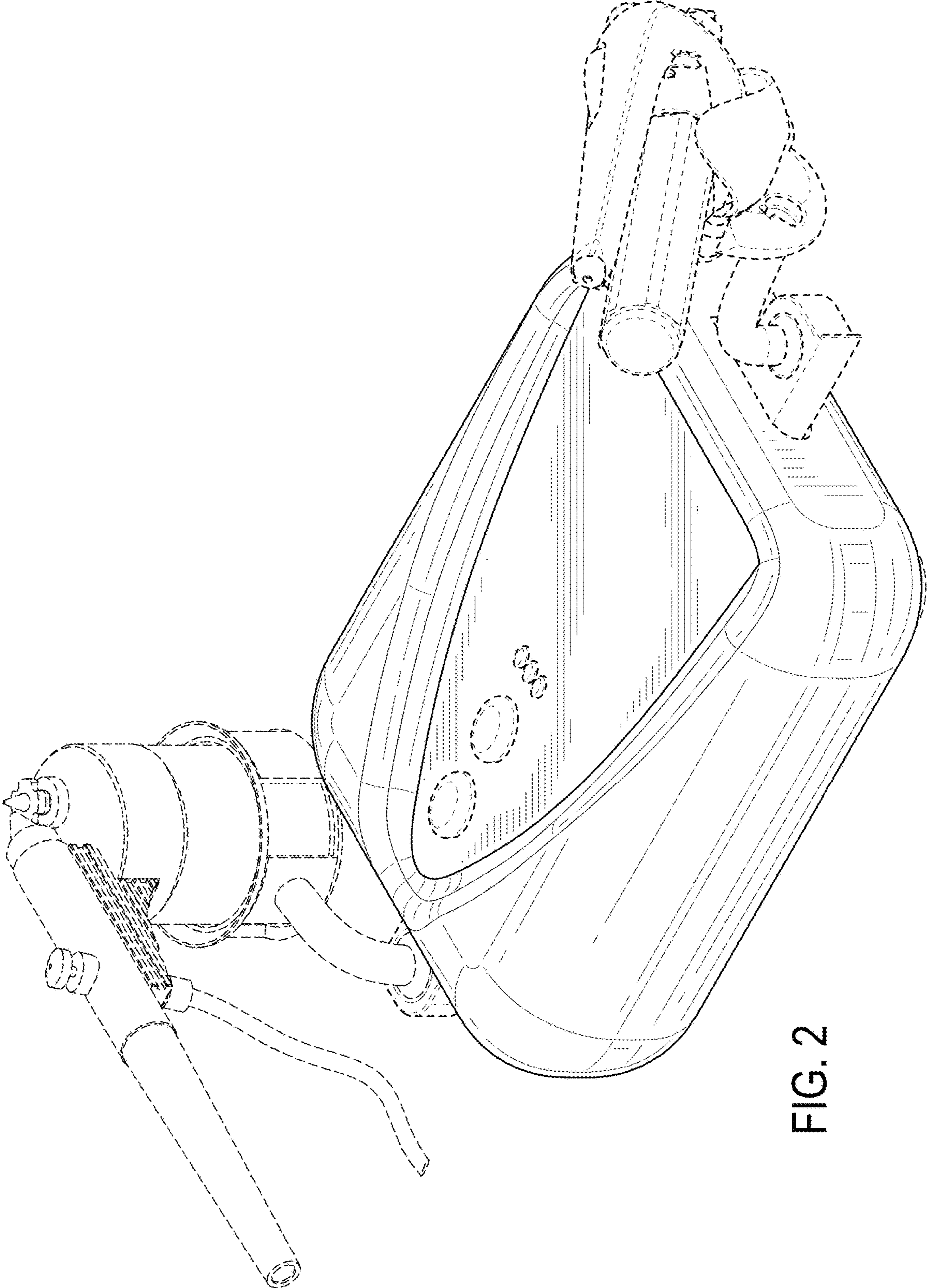


FIG. 2

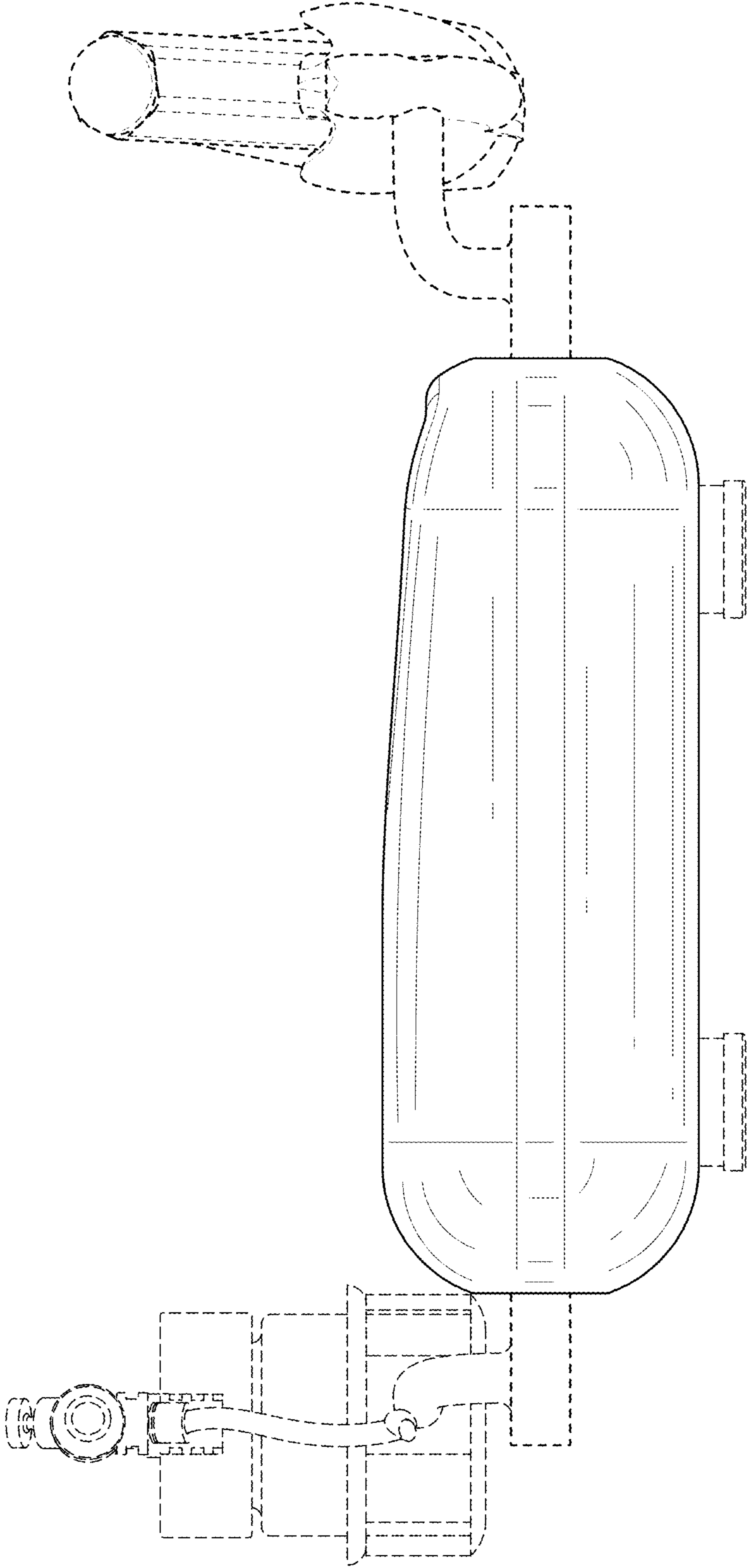


FIG. 3

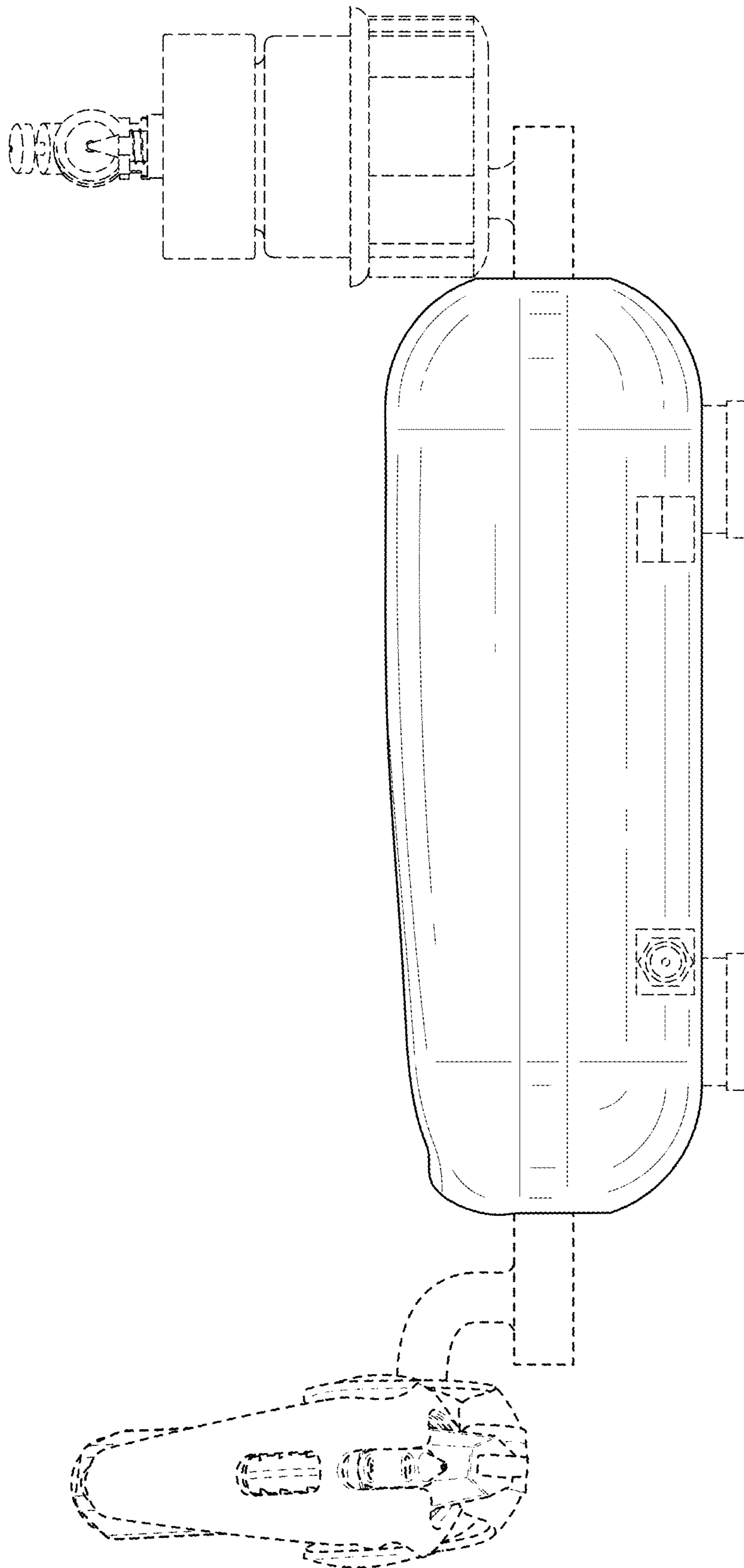


FIG. 4

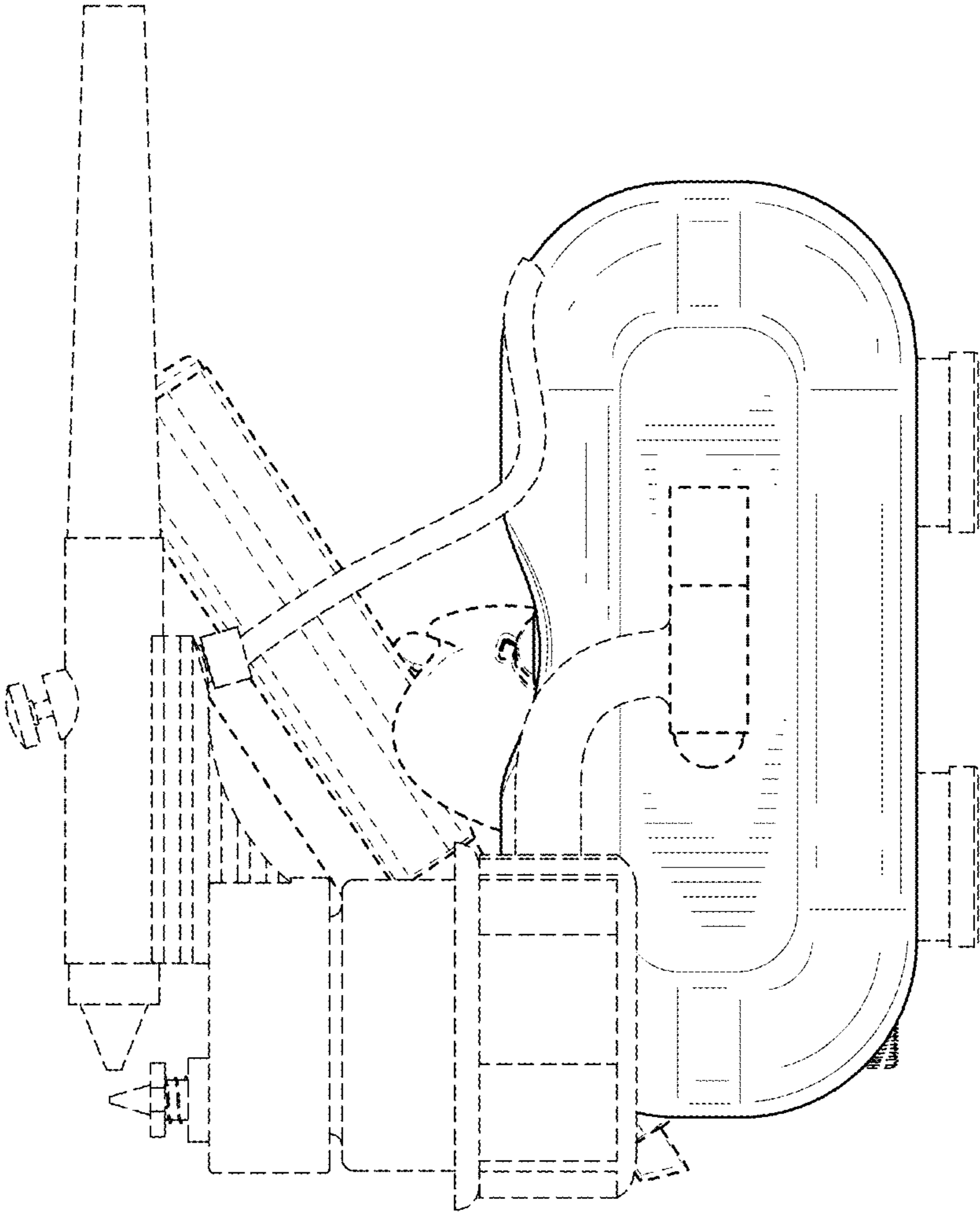


FIG. 5

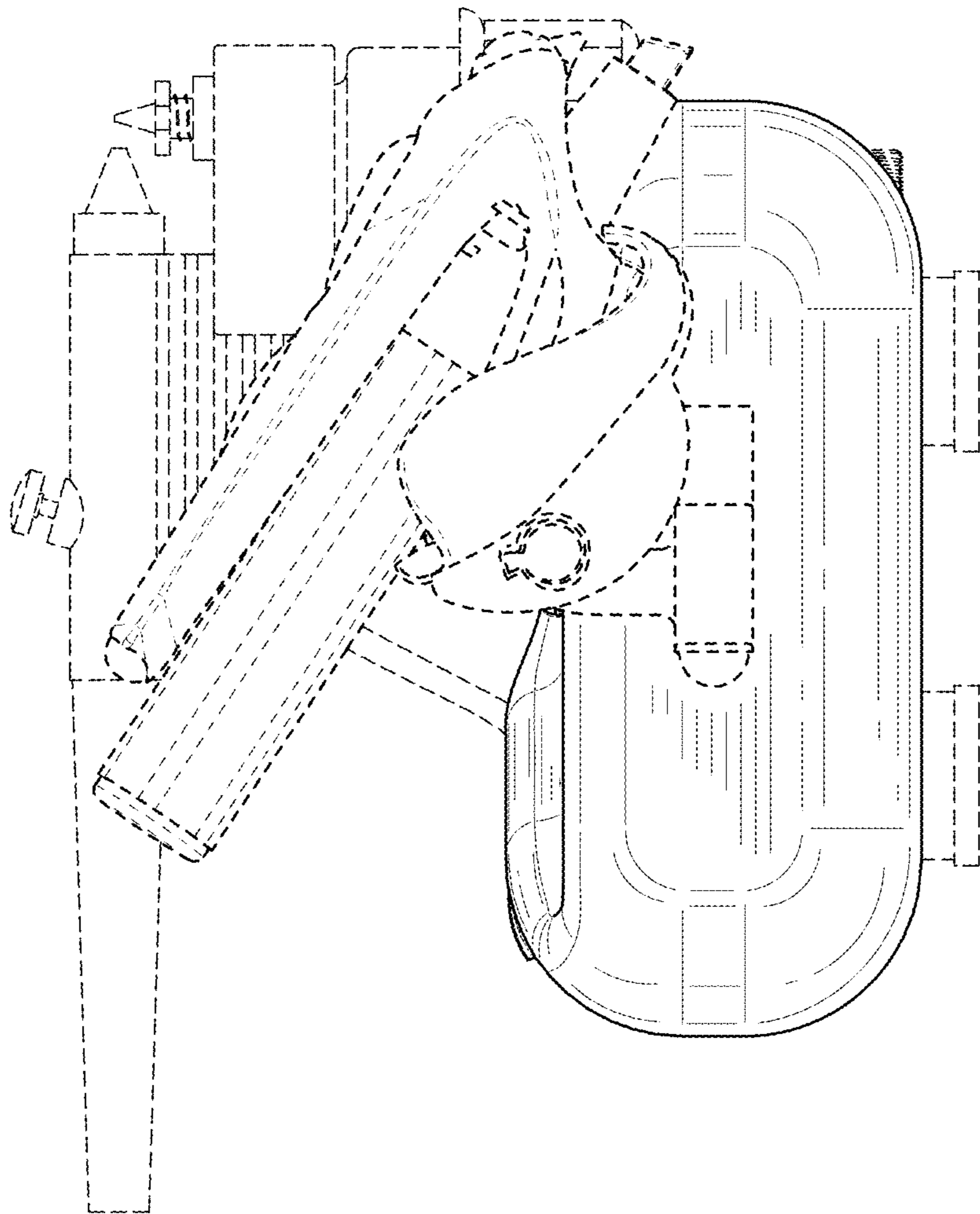


FIG. 6

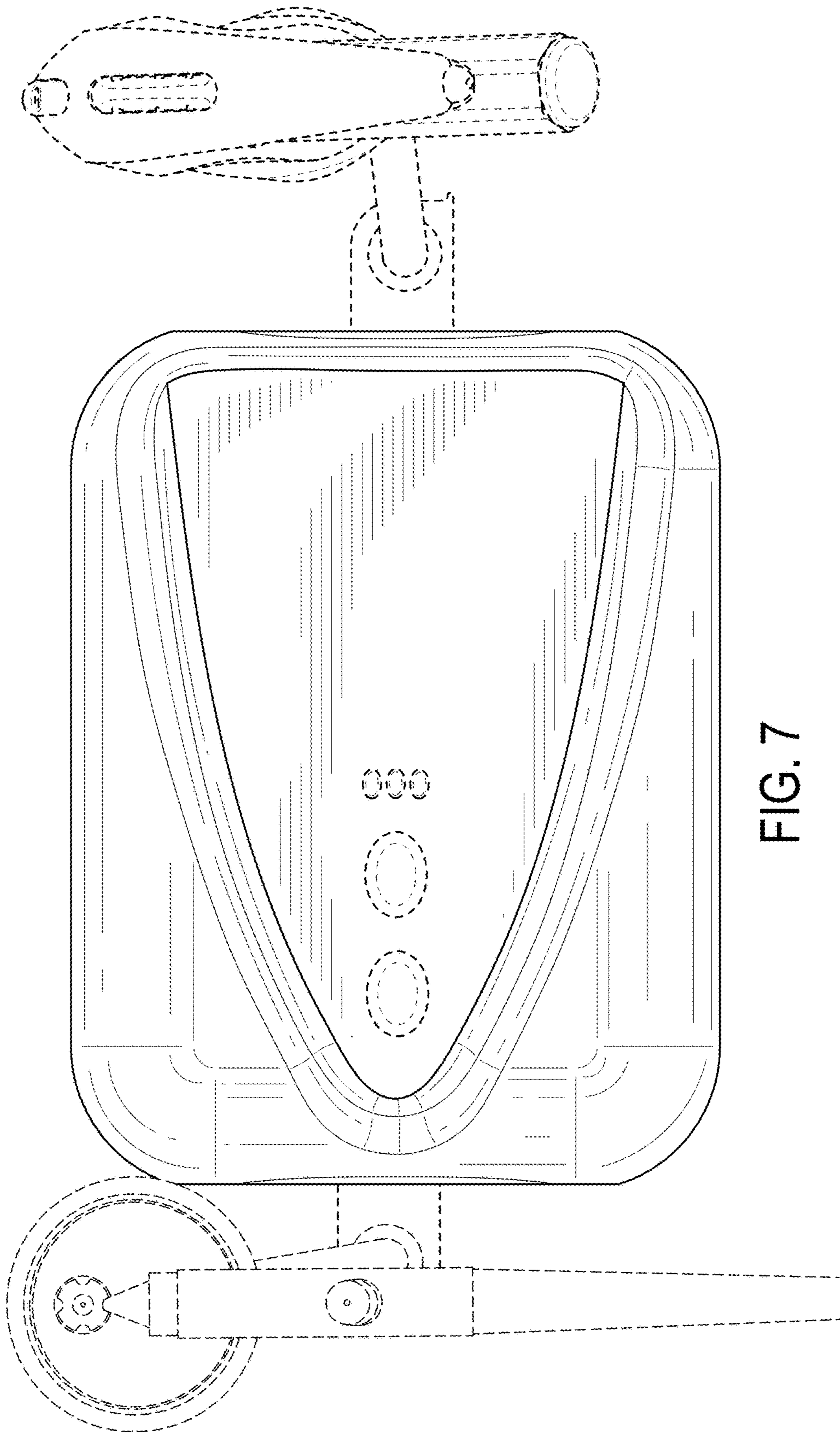


FIG. 7

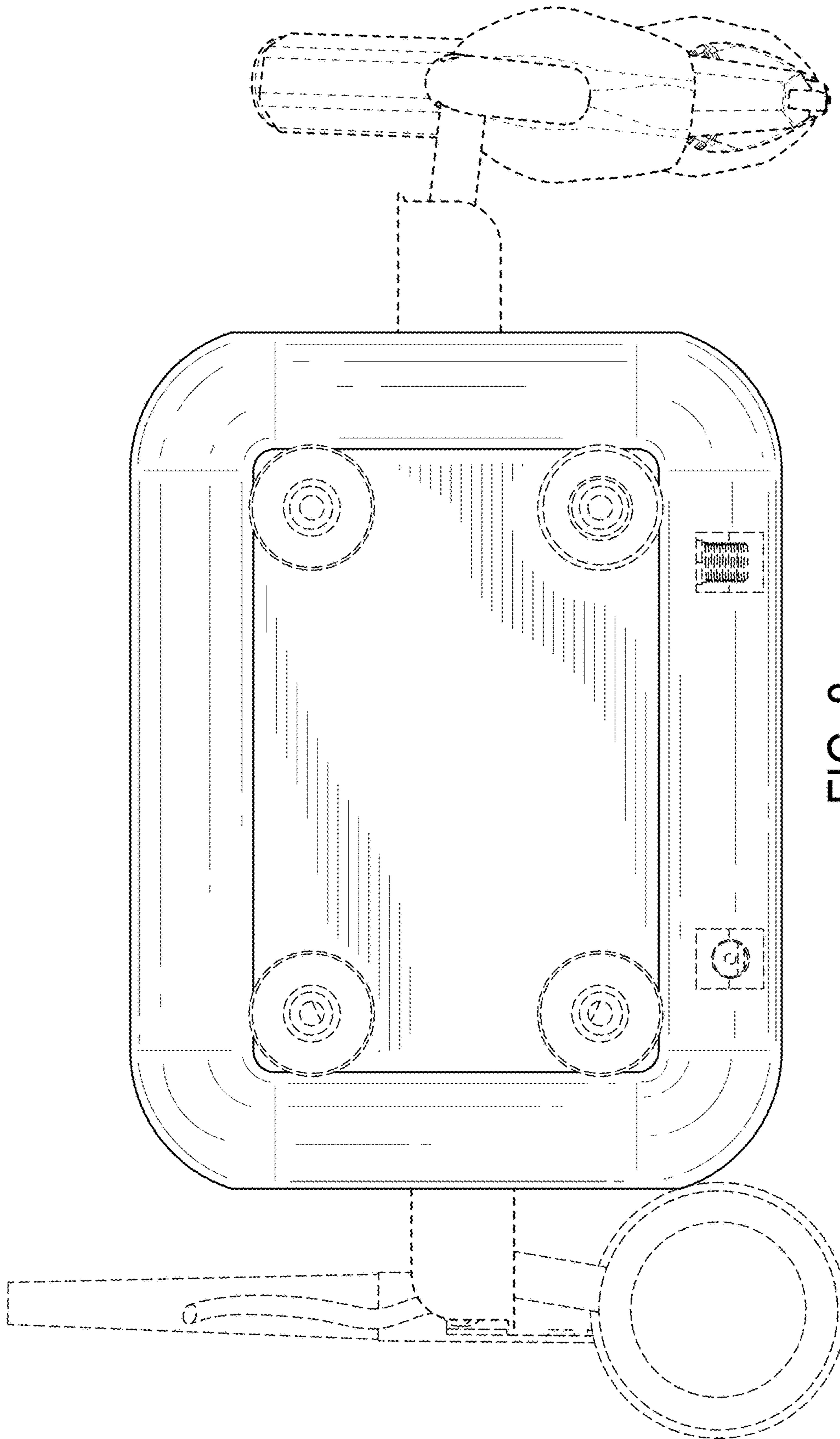


FIG. 8