



US00D818083S

(12) **United States Design Patent**
Dishman

(10) **Patent No.:** **US D818,083 S**
(45) **Date of Patent:** **** May 15, 2018**

(54) **WATER FILTER HEAD**

DESCRIPTION

(71) Applicant: **National Trade Supply, LLC**,
Greenwood, IN (US)
(72) Inventor: **Tyler Dishman**, Greenwood, IN (US)
(73) Assignee: **National Trade Supply, LLC**,
Greenwood, IN (US)
(**) Term: **15 Years**
(21) Appl. No.: **29/586,702**
(22) Filed: **Dec. 6, 2016**
(51) **LOC (11) Cl.** **23-01**
(52) **U.S. Cl.**
USPC **D23/209**
(58) **Field of Classification Search**
USPC D23/207, 209, 262, 259, 210, 234
CPC B01D 2201/291; B01D 2201/293; B01D
2201/296; B01D 2201/298; B01D
2201/301; B01D 2201/306
See application file for complete search history.

FIG. 1 is a front perspective view of a water filter head.
FIG. 2 is a front view of the water filter head shown in FIG. 1;
FIG. 3 is a back view of the water filter head shown in FIG. 1;
FIG. 4 is a right side view of the water filter head shown in FIG. 1;
FIG. 5 is a left side view of the water filter head shown in FIG. 1;
FIG. 6 is a top view of the water filter head shown in FIG. 1;
FIG. 7 is a bottom view of the water filter head shown in FIG. 1;
FIG. 8 is a front perspective view of the water filter head shown in FIG. 1 implemented on a water filter housing;
FIG. 9 is a front view of the water filter head shown in FIG. 1 implemented on the water filter housing shown in FIG. 8;
FIG. 10 is a back view of the water filter head shown in FIG. 1 implemented on the water filter housing shown in FIG. 8;
FIG. 11 is a right side view of the water filter head shown in FIG. 1 implemented on the water filter housing shown in FIG. 8;
FIG. 12 is a left side view of the water filter head shown in FIG. 1 implemented on the water filter housing shown in FIG. 8;
FIG. 13 is a top view of the water filter head shown in FIG. 1 implemented on the water filter housing shown in FIG. 8; and,
FIG. 14 is a bottom view of the water filter head shown in FIG. 1 implemented on the water filter housing shown in FIG. 8.
The broken lines shown in the drawings are included for purposes of illustrating environment or portions of the water filter head and form no part of the claimed design. The surface shading lines show contour and/or distinguish between open and solid areas. The surface shading lines are not surface ornamentation.

(56) **References Cited**

U.S. PATENT DOCUMENTS

D250,415 S	*	11/1978	Rosaen	D23/209
D399,008 S	*	9/1998	Thomas	D23/262
D511,558 S	*	11/2005	Lindtveit	D23/209
D656,580 S	*	3/2012	Sherman	D23/209
8,137,551 B1		3/2012	Huda et al.		

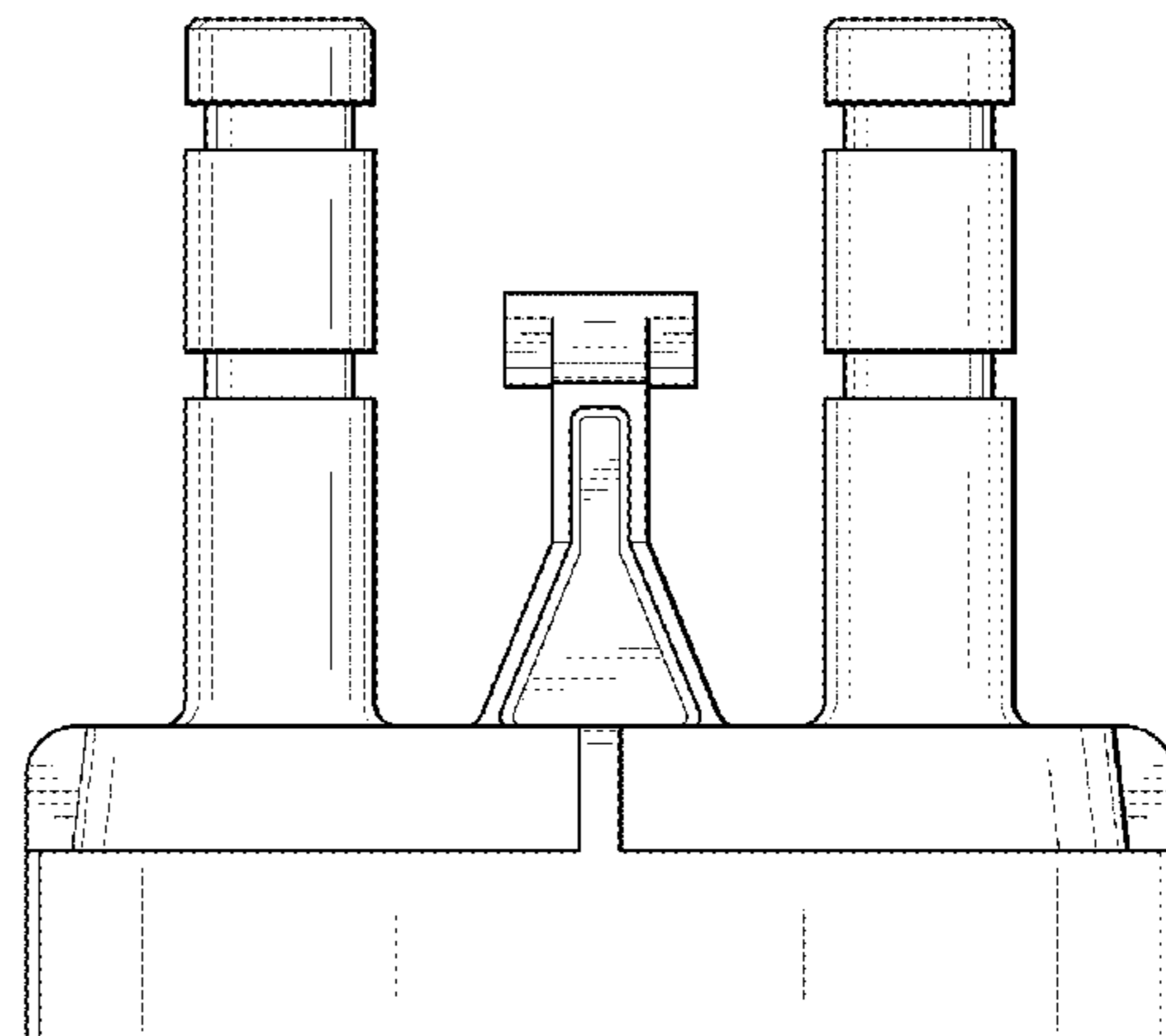
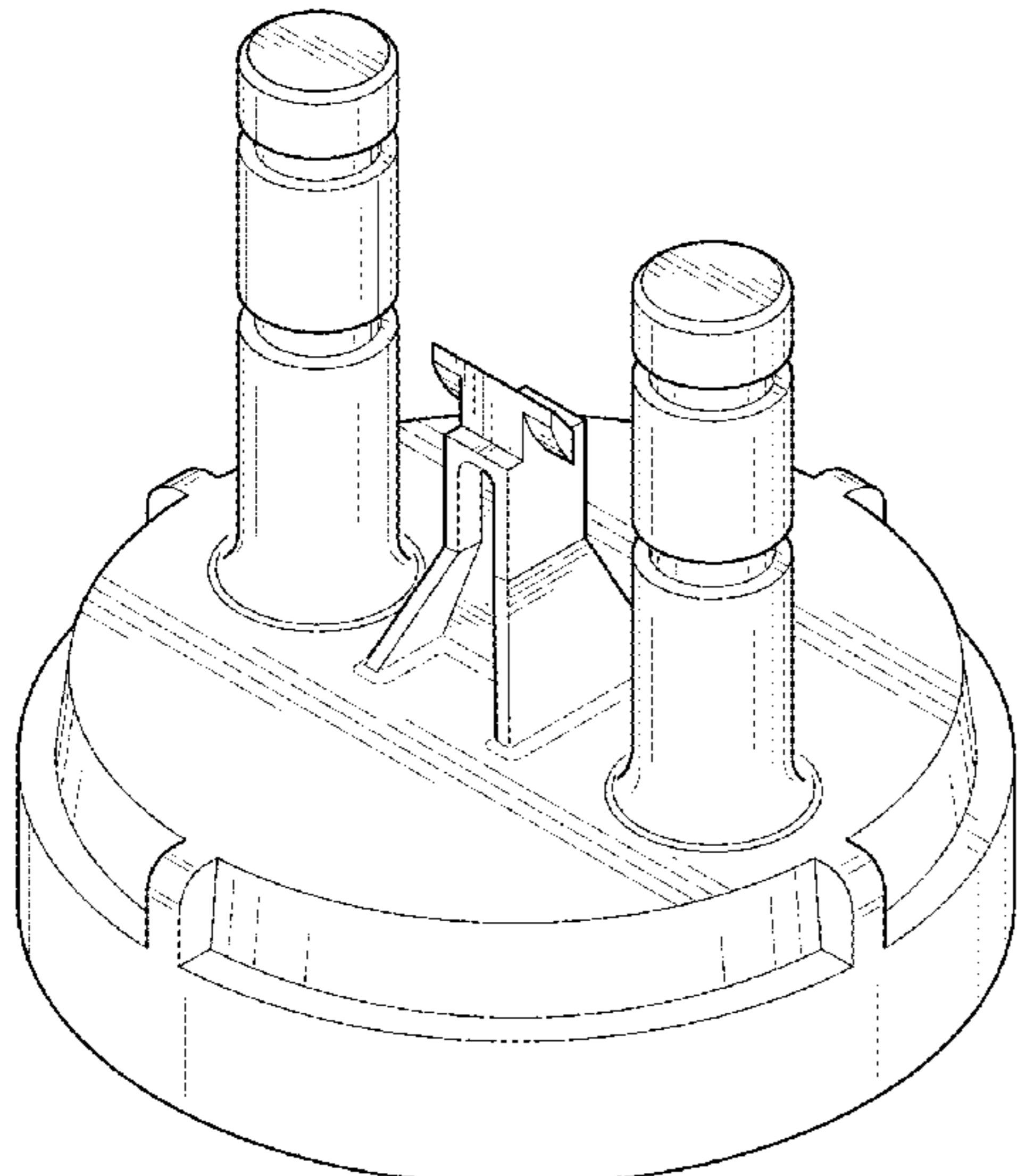
(Continued)

Primary Examiner — Robin V Webster
Assistant Examiner — James C Thorn, Sr.
(74) *Attorney, Agent, or Firm* — Traverse Legal PLC

(57) **CLAIM**

The ornamental design for a water filter head, as shown and described.

1 Claim, 8 Drawing Sheets



(56)

References Cited

U.S. PATENT DOCUMENTS

8,366,930	B2	2/2013	Huda et al.	
8,673,146	B2	3/2014	Huda et al.	
9,233,322	B1	1/2016	Huda et al.	
D755,922	S *	5/2016	Sherman	B01D 35/30 D23/209
D762,826	S *	8/2016	Plackner	D23/262
D764,021	S *	8/2016	Lu	D23/209
D774,623	S *	12/2016	Lu	D23/209
D777,878	S *	1/2017	Morris	D23/209
D784,492	S *	4/2017	Lu	D23/209
D785,752	S *	5/2017	Baird	D23/209
D788,263	S *	5/2017	Brixius	D23/209
D792,940	S *	7/2017	Reckin	D23/209
2010/0170841	A1 *	7/2010	An	B01D 35/147 210/234
2014/0202944	A1 *	7/2014	Wes	B01D 35/1573 210/234
2016/0001204	A1 *	1/2016	Honermann	B01D 35/147 210/232
2016/0214040	A1 *	7/2016	Morris	B01D 35/005

* cited by examiner

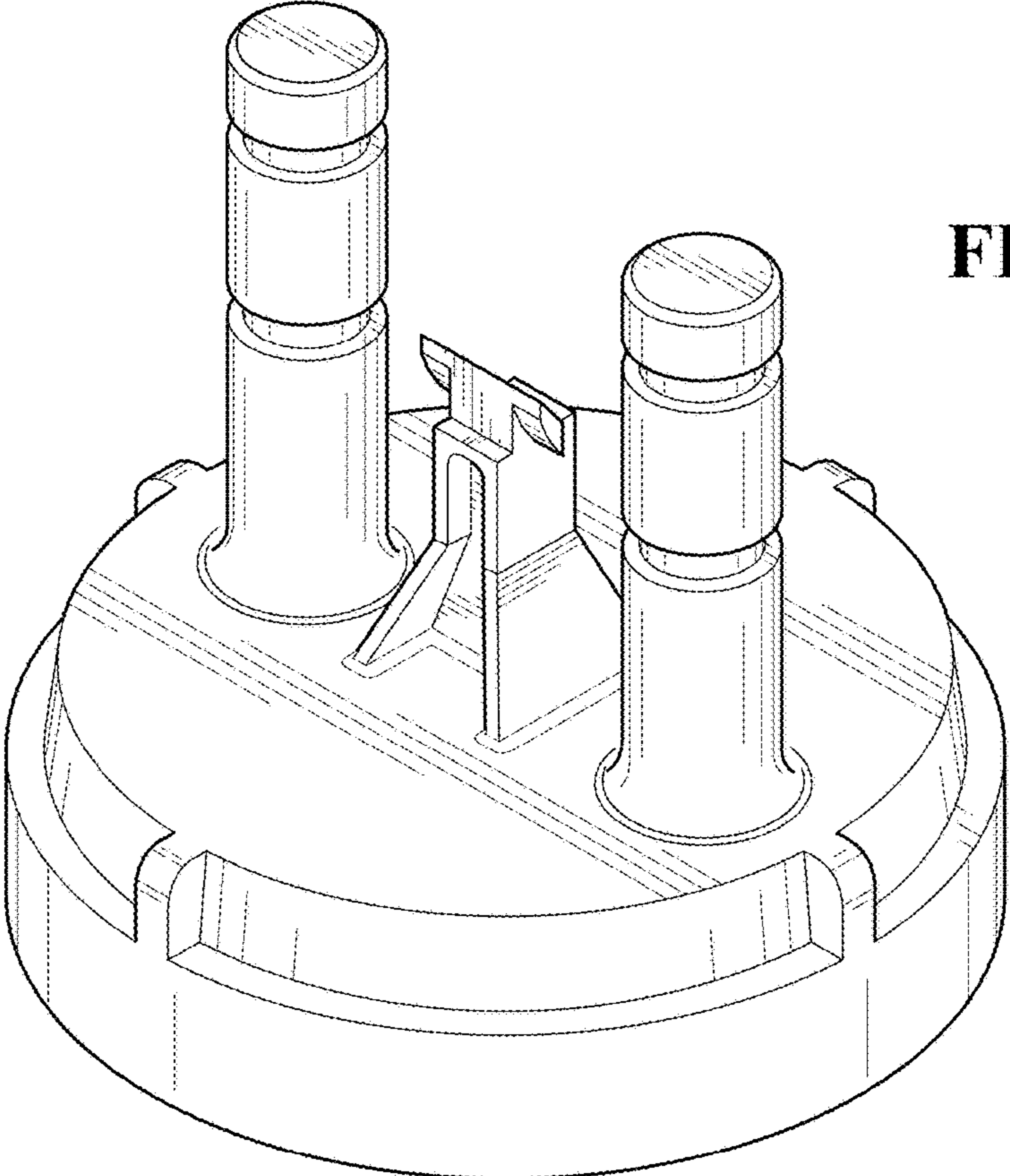


FIG. 1

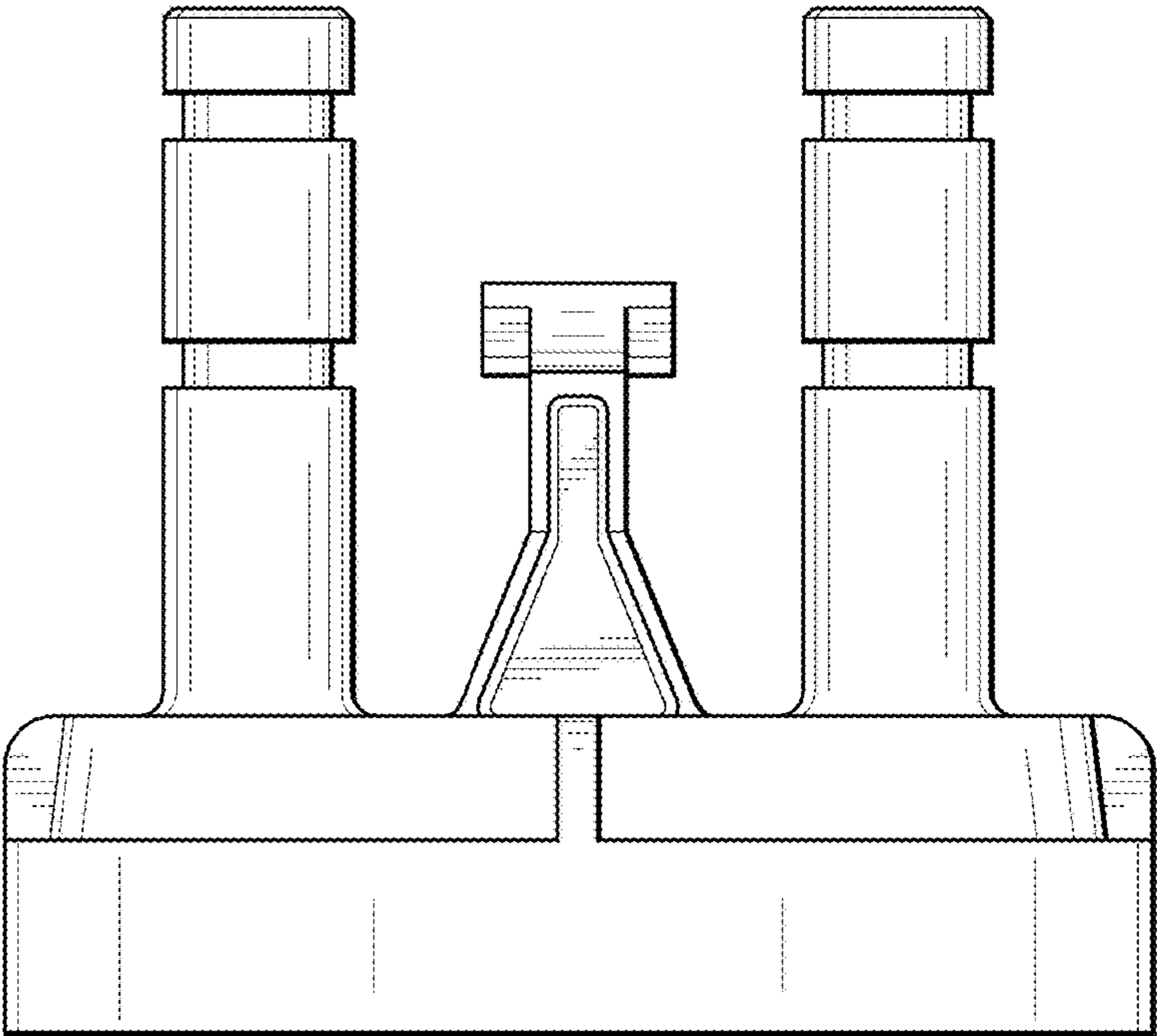


FIG. 2

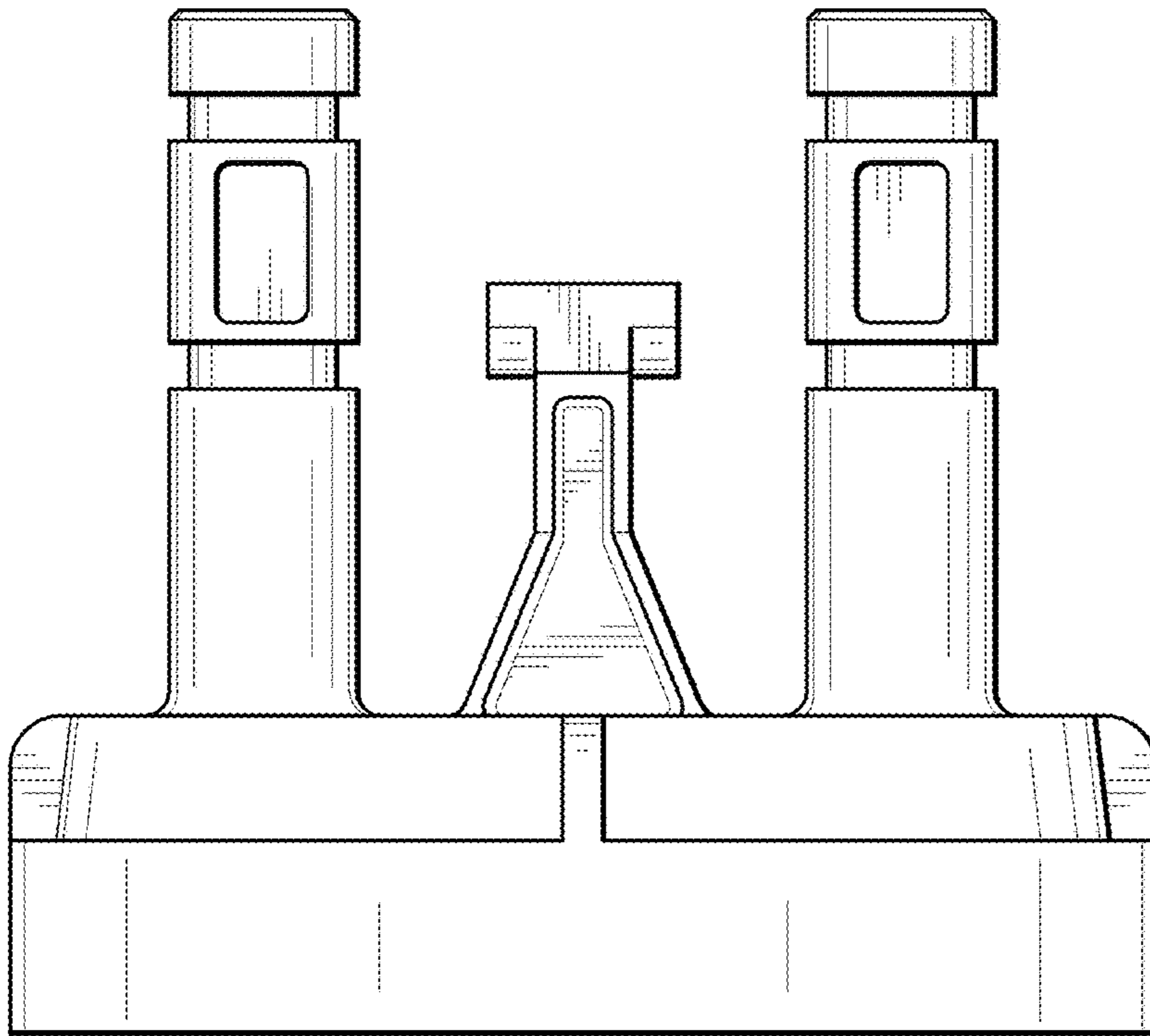


FIG. 3

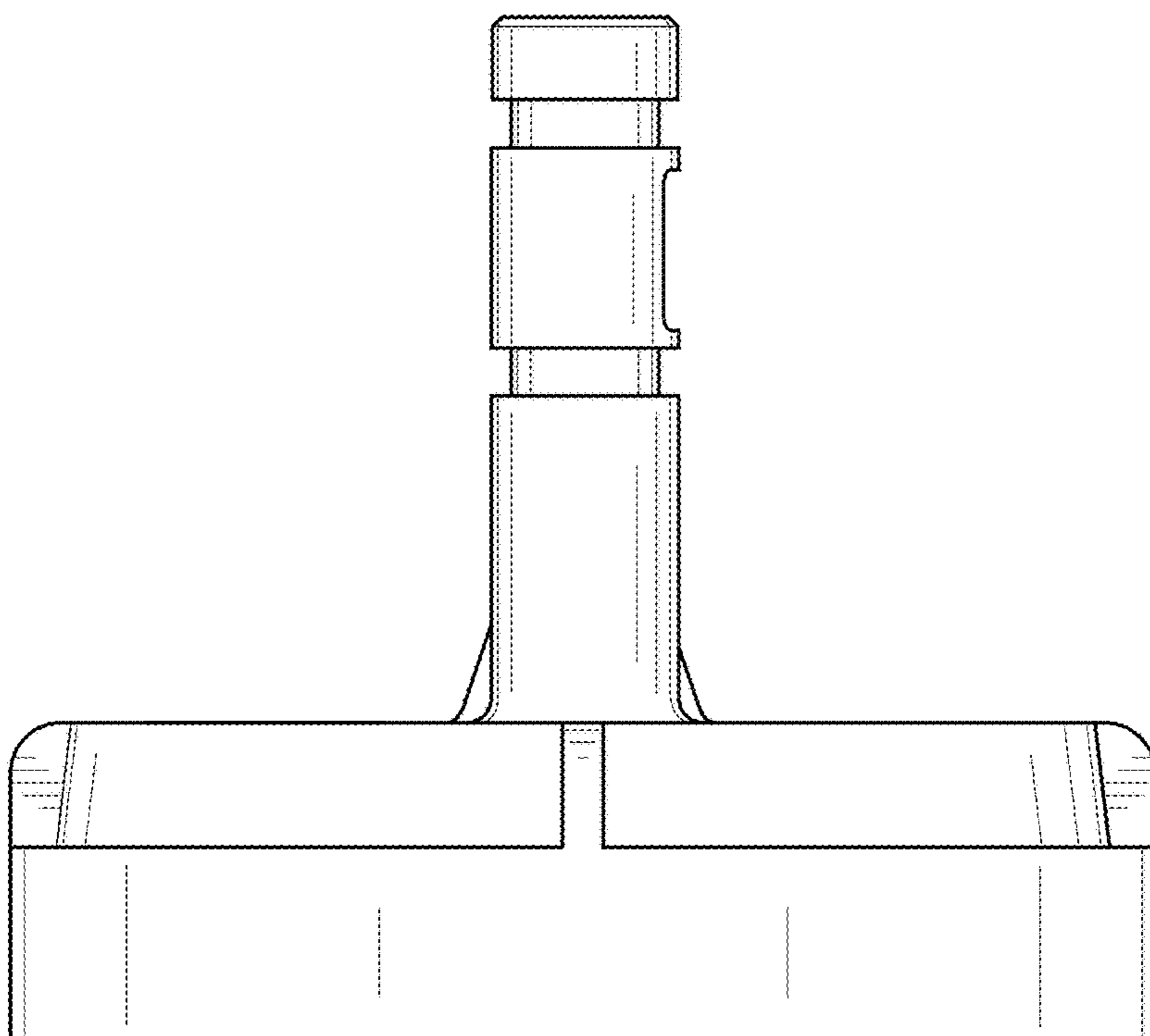


FIG. 4

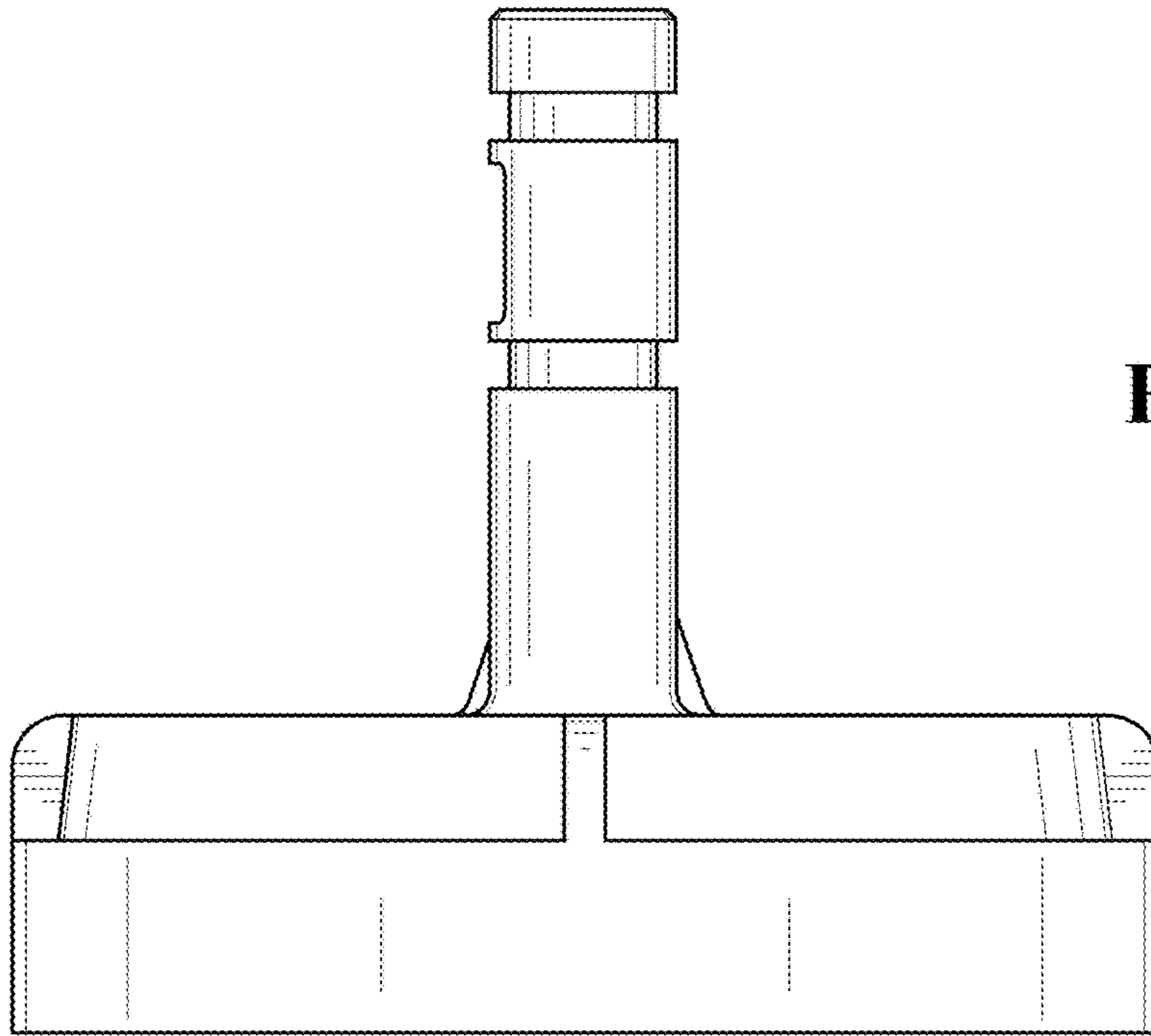


FIG. 5

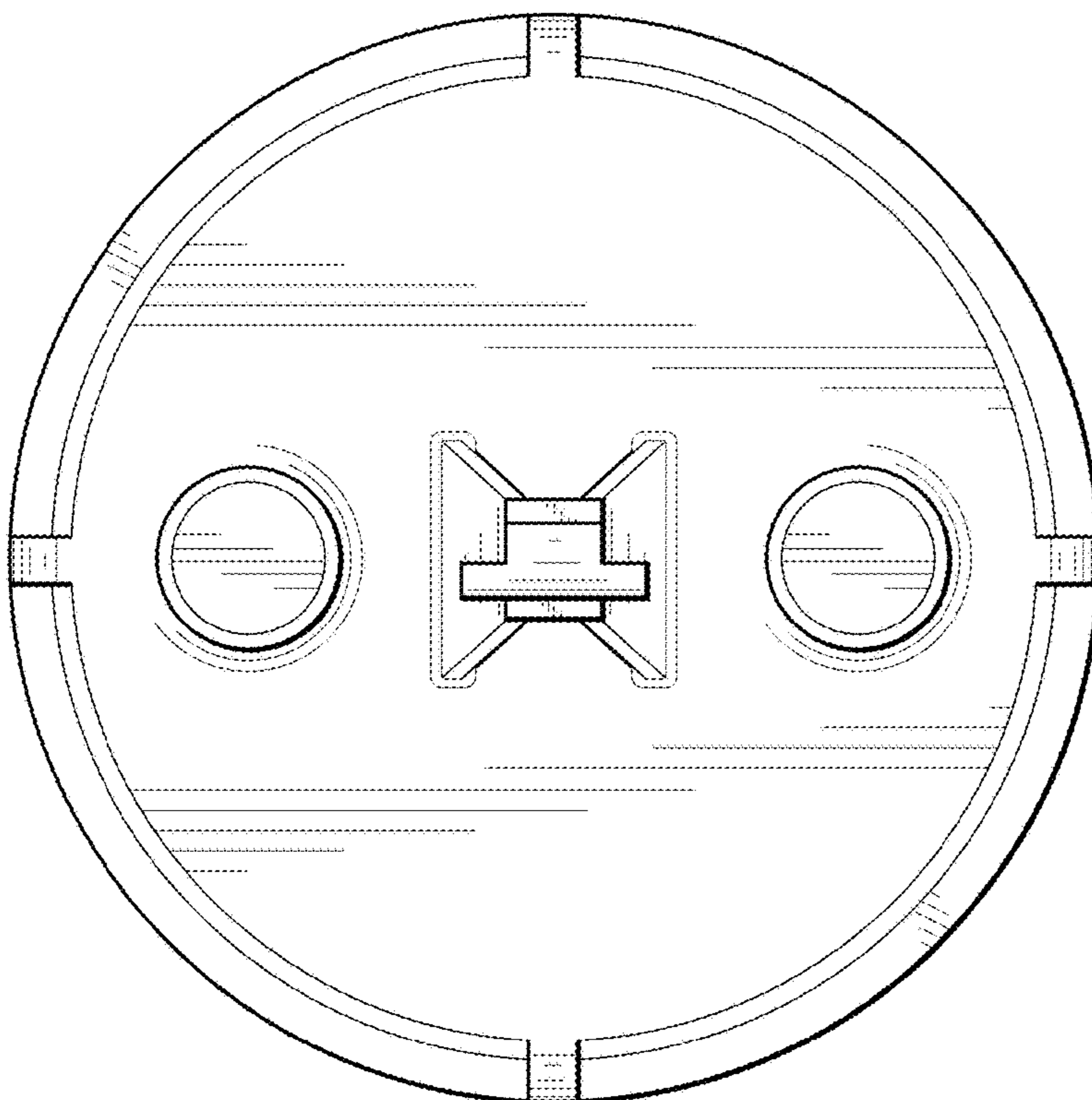


FIG. 6

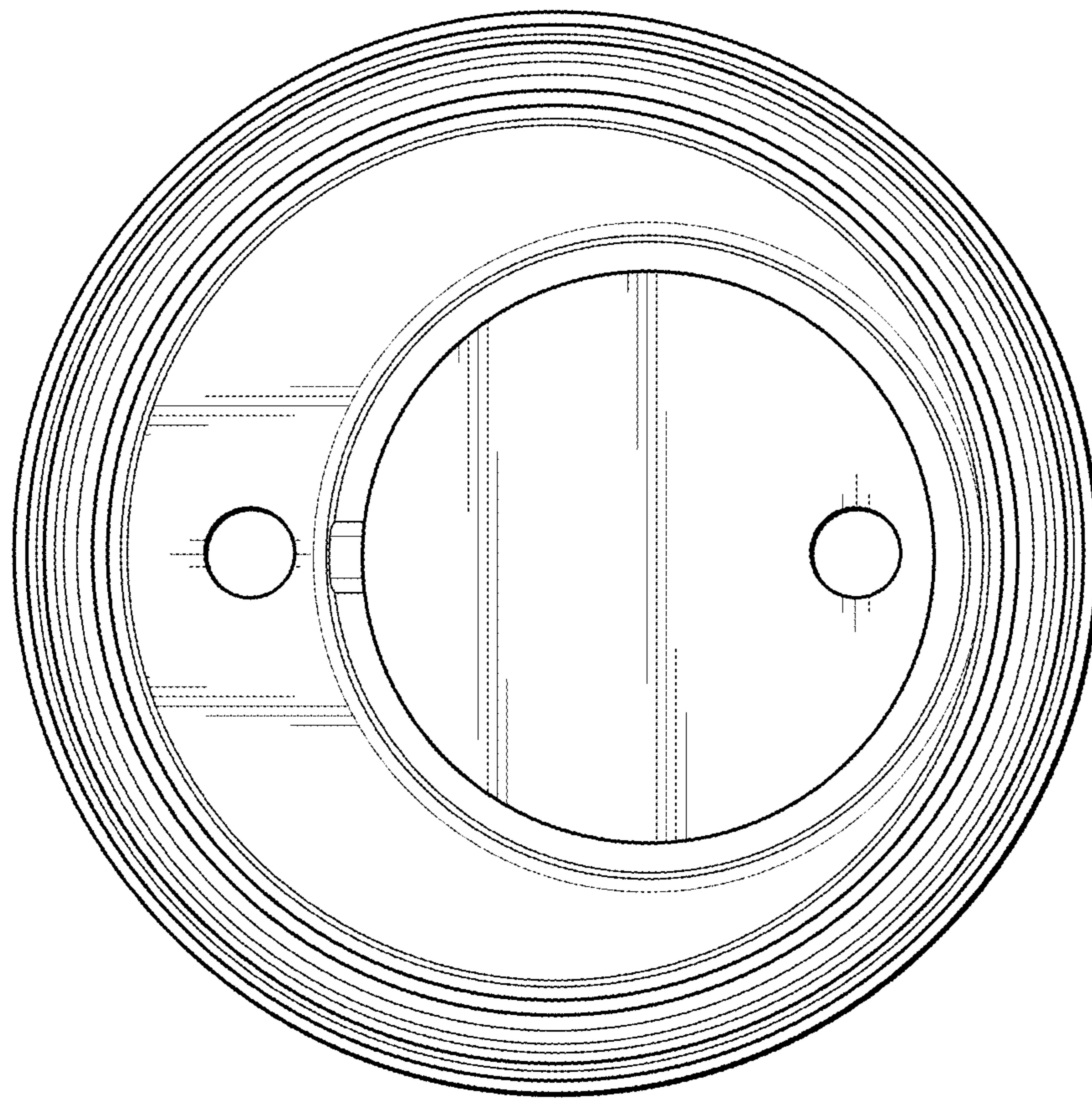


FIG. 7

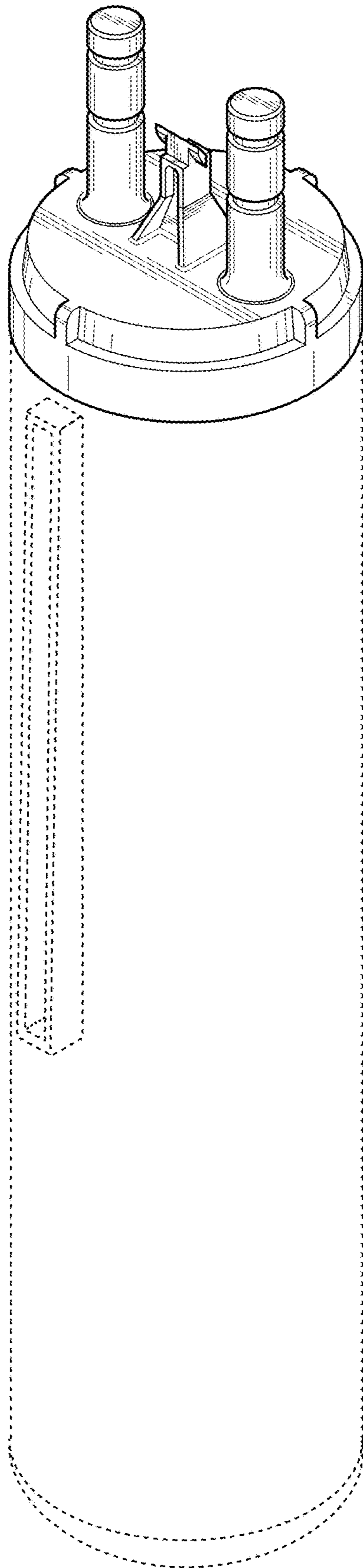


FIG. 8

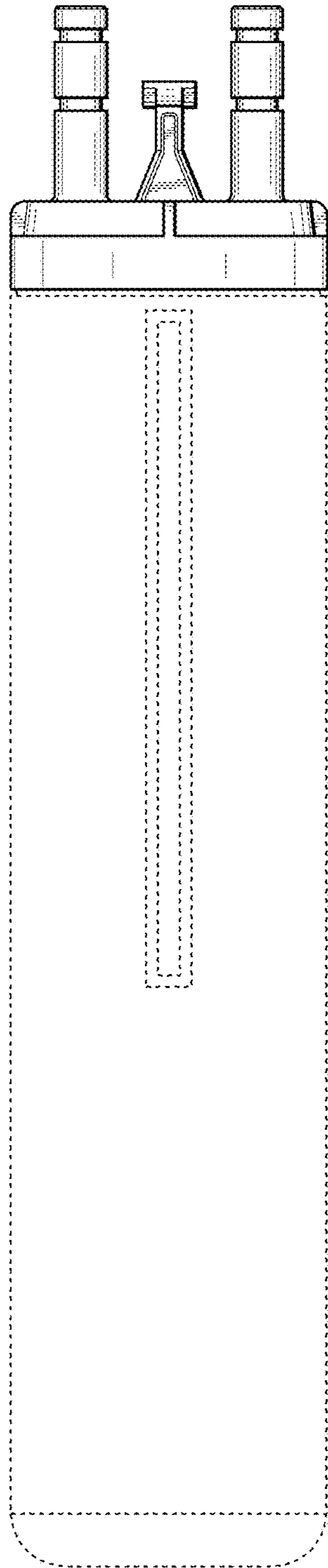


FIG. 9

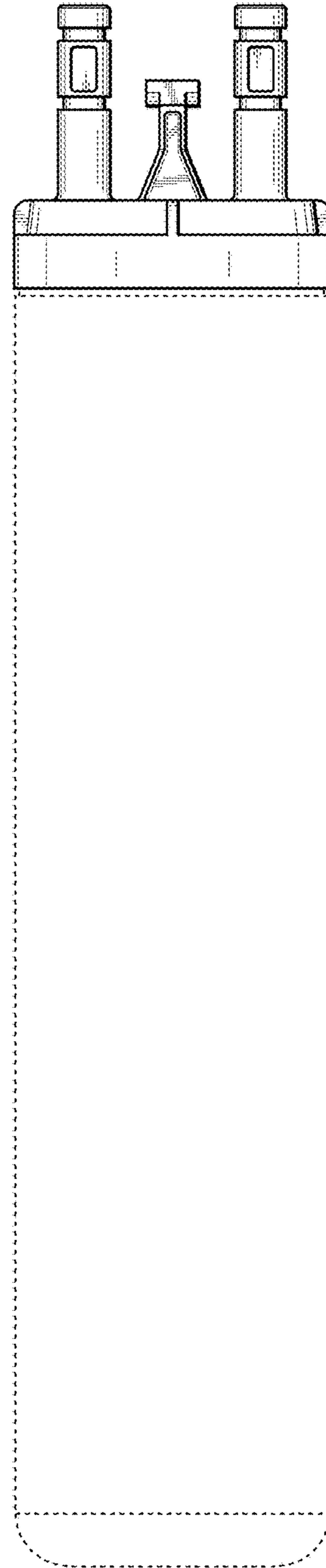


FIG. 10

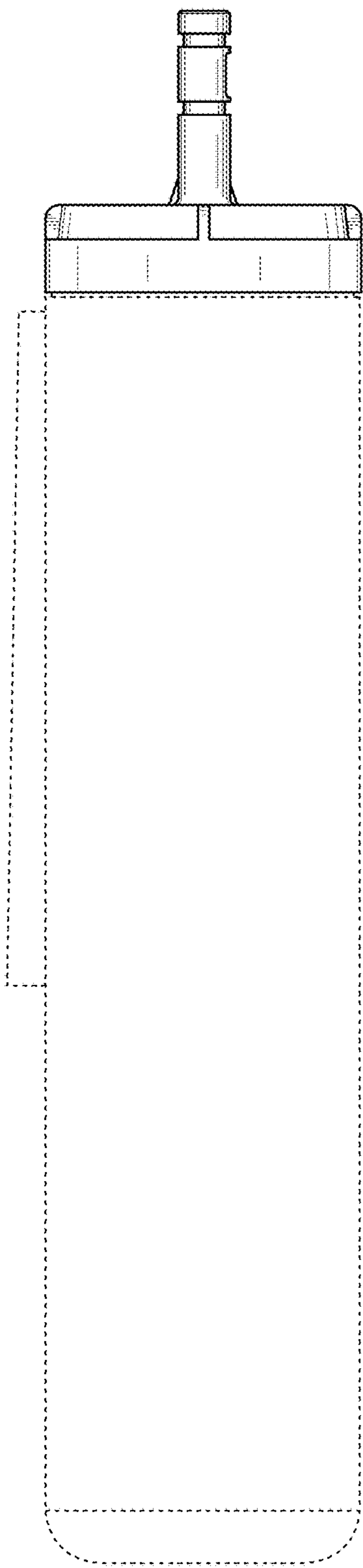


FIG. 11

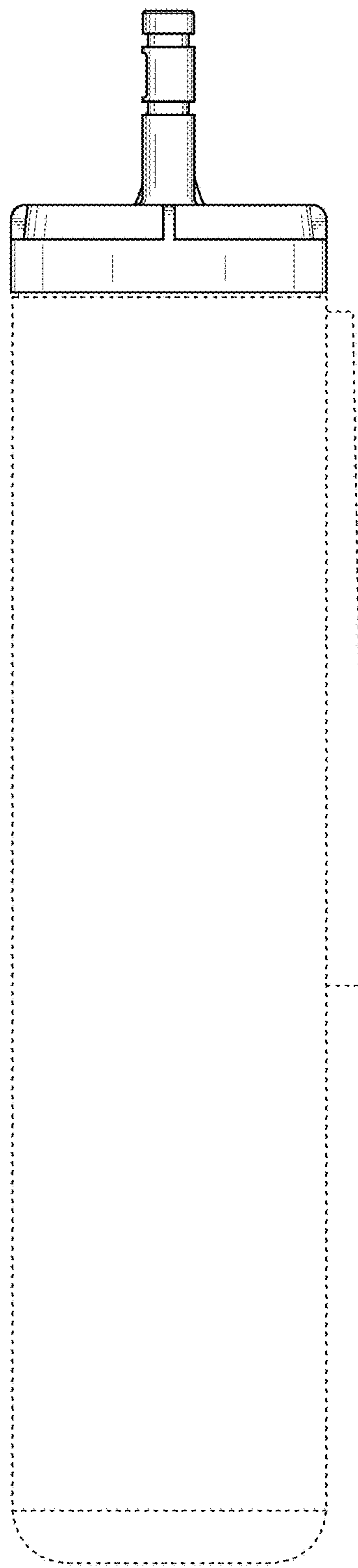


FIG. 12

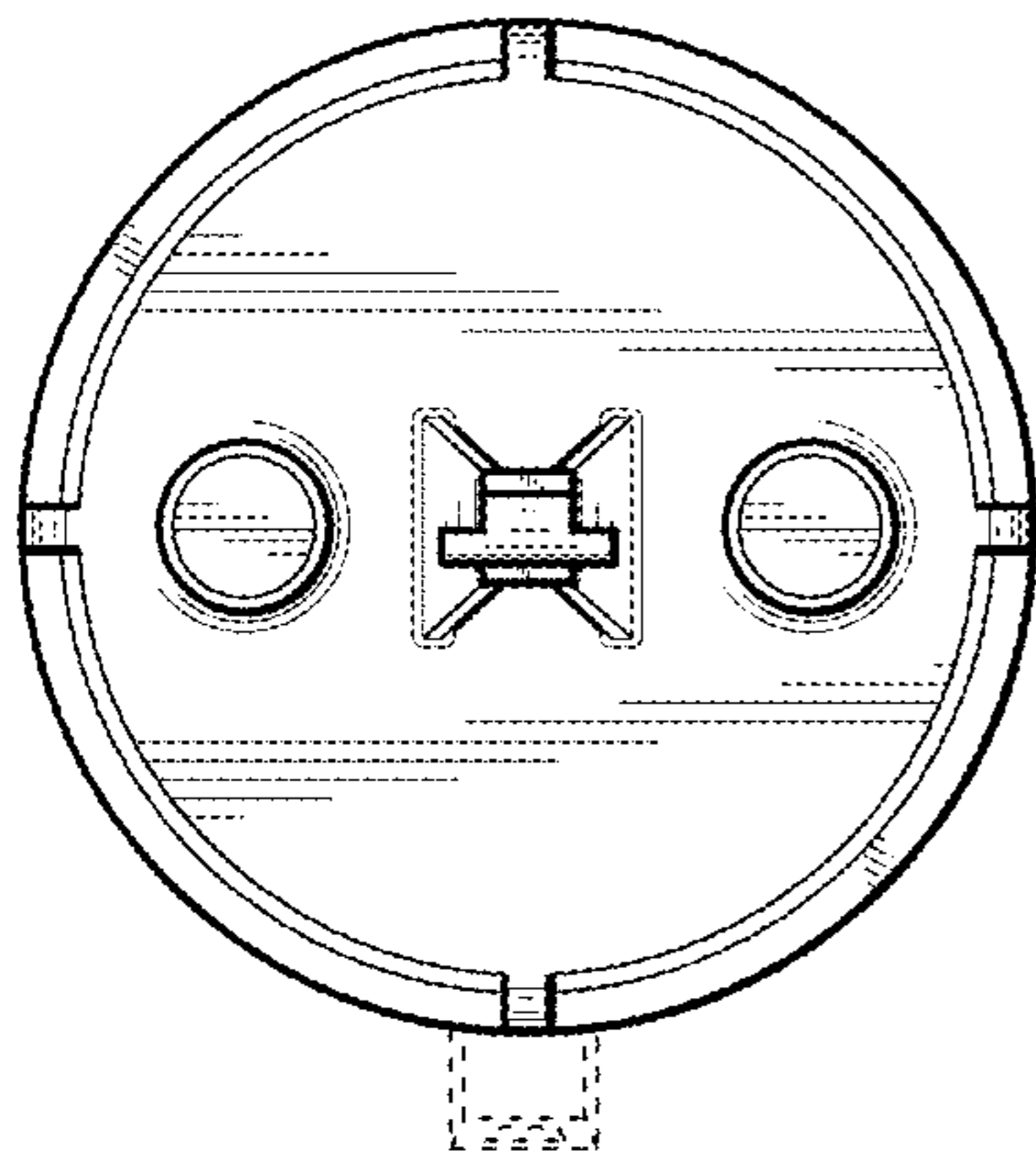


FIG. 13

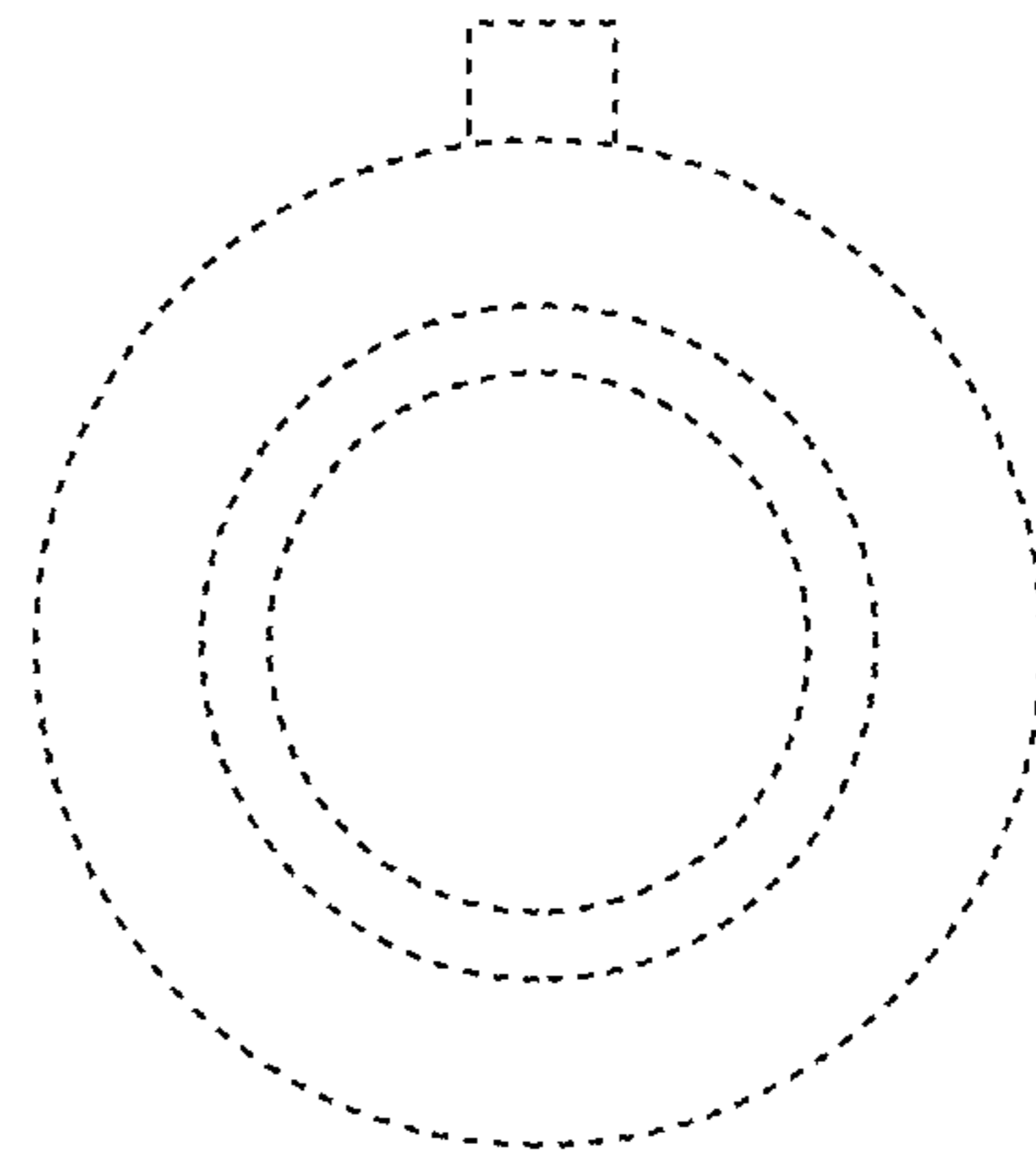


FIG. 14