



US00D818077S

(12) **United States Design Patent**
Lin

(10) **Patent No.:** **US D818,077 S**

(45) **Date of Patent:** **** May 15, 2018**

(54) **MOSQUITO TRAP**

(71) Applicant: **WELL ELECTRONICS CO., LTD.,**
New Taipei (TW)

(72) Inventor: **Hen-Yuan Lin,** New Taipei (TW)

(73) Assignee: **WELL ELECTRONICS CO., LTD.,**
New Taipei (TW)

(**) Term: **15 Years**

(21) Appl. No.: **29/595,901**

(22) Filed: **Mar. 2, 2017**

(51) **LOC (11) Cl.** **22-06**

(52) **U.S. Cl.**
USPC **D22/122**

(58) **Field of Classification Search**
USPC D22/119–124; 43/85, 88, 90–92, 107,
43/112–114, 121–122, 124, 131, 132.1,
43/139
CPC A01M 1/06; A01M 1/2055; A01M 23/12
See application file for complete search history.

(56) **References Cited**

U.S. PATENT DOCUMENTS

2,086,046 A * 7/1937 Preston A01M 1/2055
43/107
D482,099 S * 11/2003 Chen D22/122

D514,656 S * 2/2006 Jean D22/122
D597,166 S * 7/2009 Hong D22/122
D612,445 S * 3/2010 Galili D22/122
D623,259 S * 9/2010 Tsai D22/122
D715,890 S * 10/2014 Rubel D22/122
D776,228 S * 1/2017 Caruso D22/122
D787,011 S * 5/2017 Zhang D22/123

* cited by examiner

Primary Examiner — Catherine R Oliver-Garcia

(74) *Attorney, Agent, or Firm* — Leong C. Lei

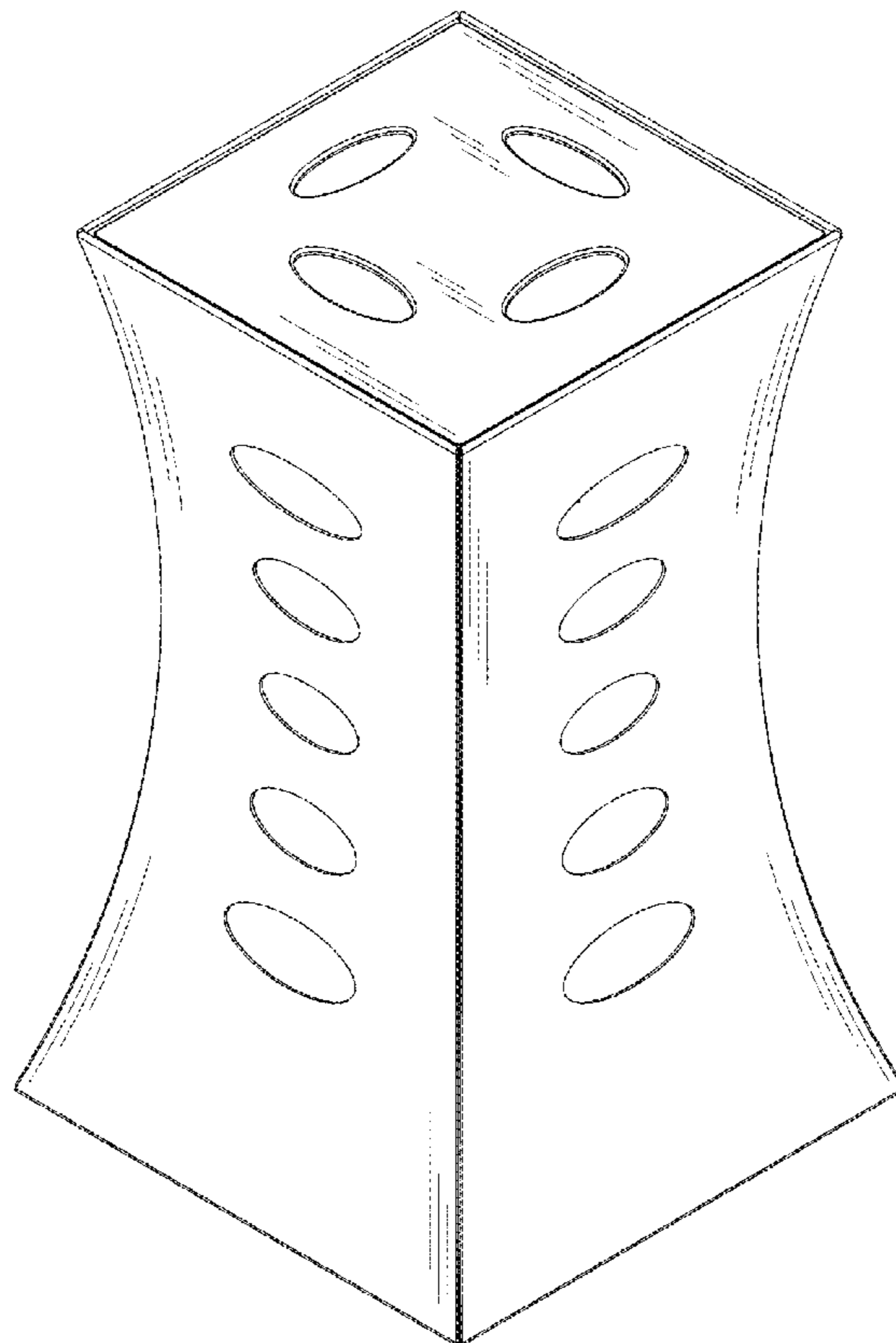
(57) **CLAIM**

The ornamental design for a mosquito trap, as shown and described.

DESCRIPTION

FIG. 1 is a top, front and side perspective view of a mosquito trap showing my new design, with the mount bracket engaged;
FIG. 2 is a front elevational view thereof;
FIG. 3 is a rear elevational view thereof;
FIG. 4 is a left side elevational view thereof;
FIG. 5 is a right side elevational view thereof;
FIG. 6 is a top plan view thereof;
FIG. 7 is a bottom plan view thereof; and,
FIG. 8 bottom, rear and side perspective view thereof.

1 Claim, 8 Drawing Sheets



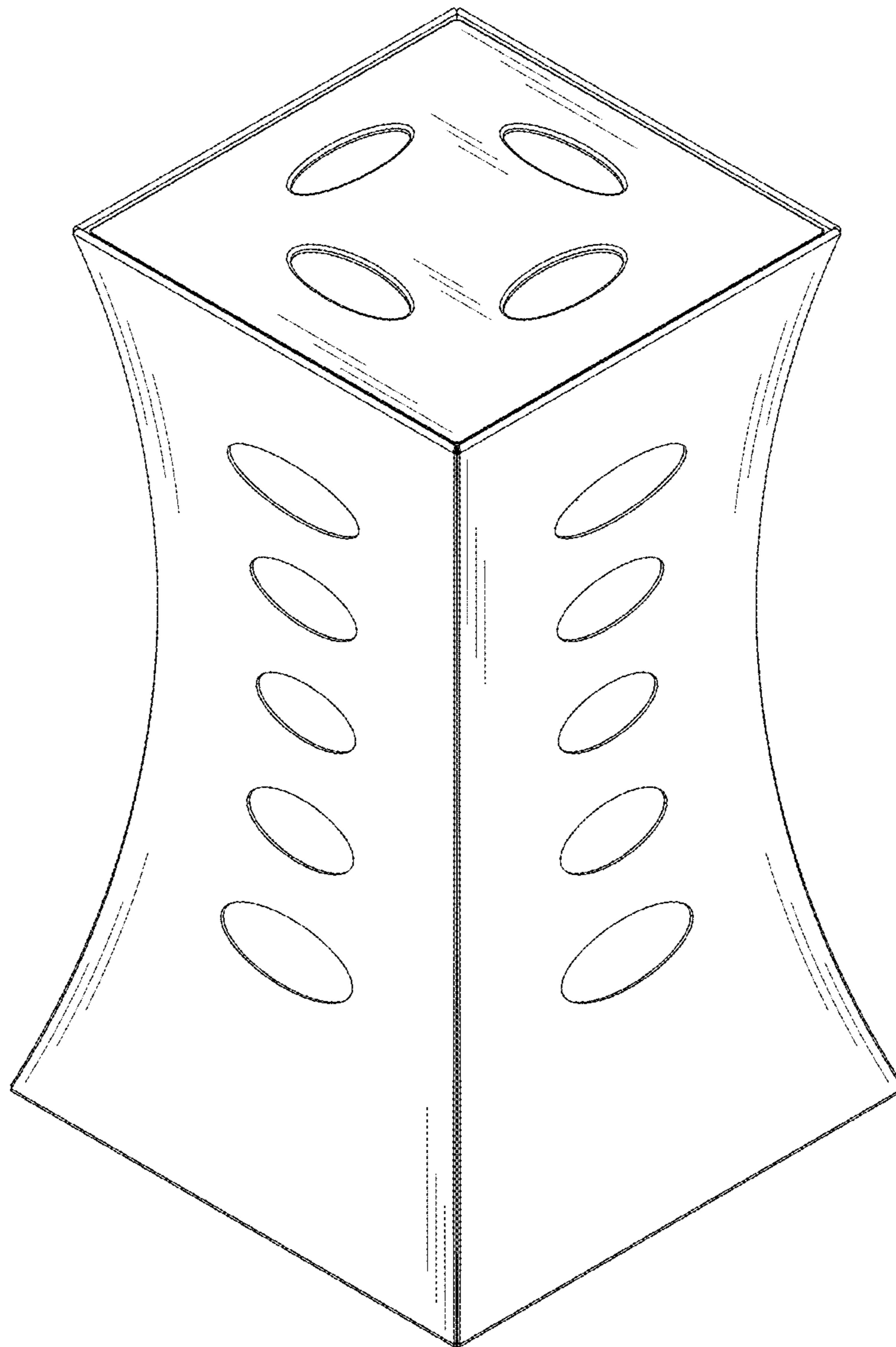


FIG. 1

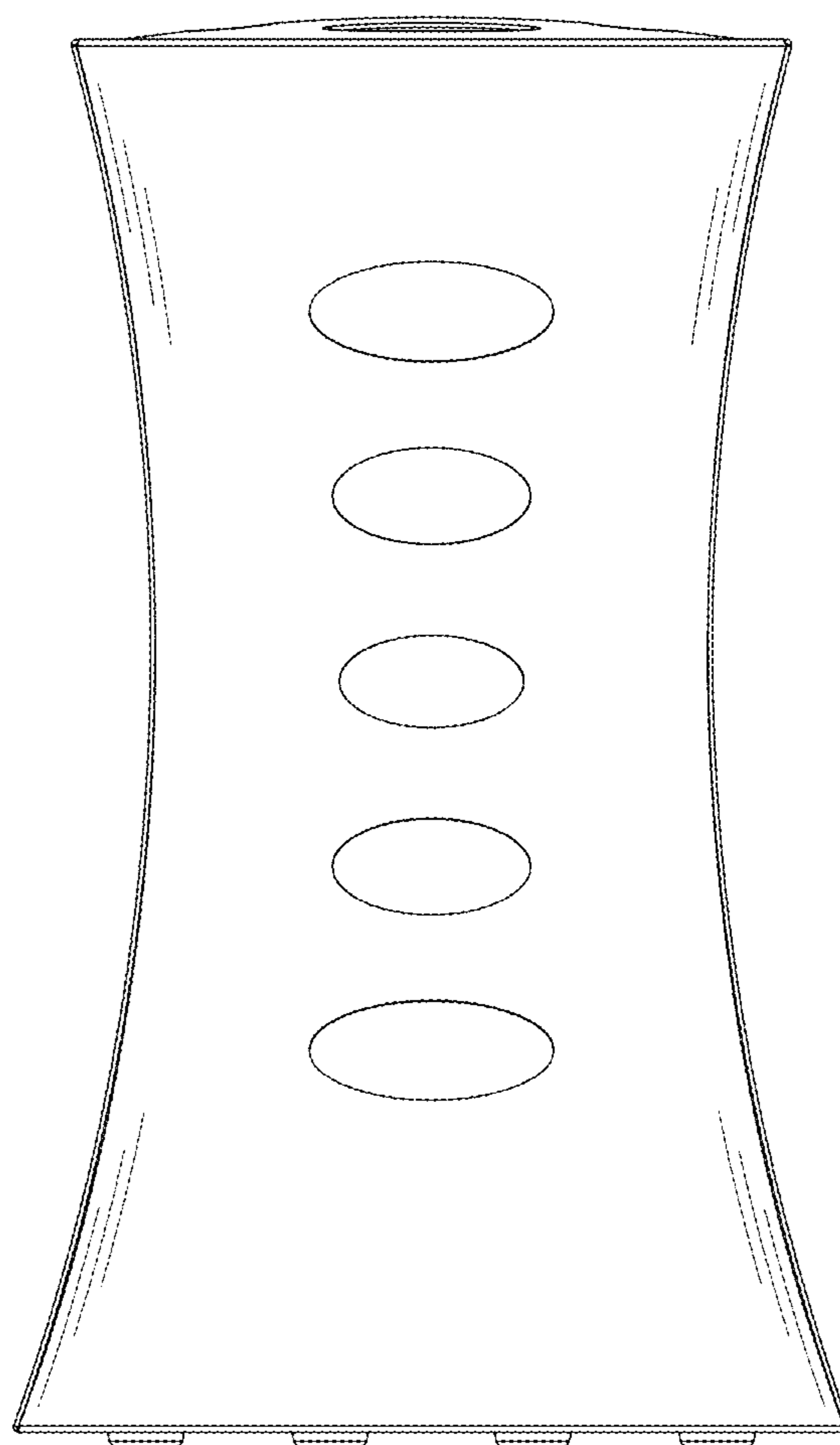


FIG. 2

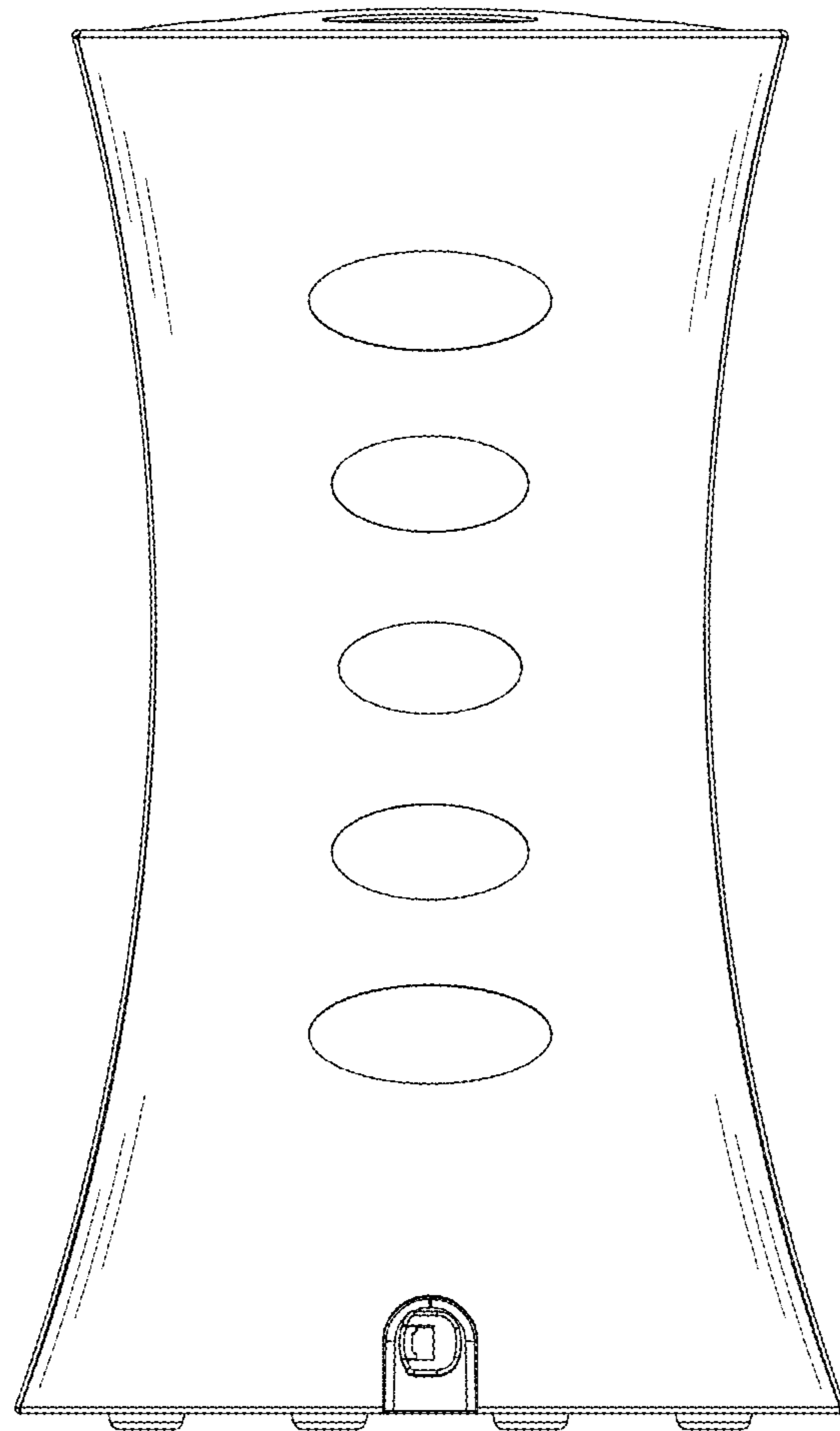


FIG. 3

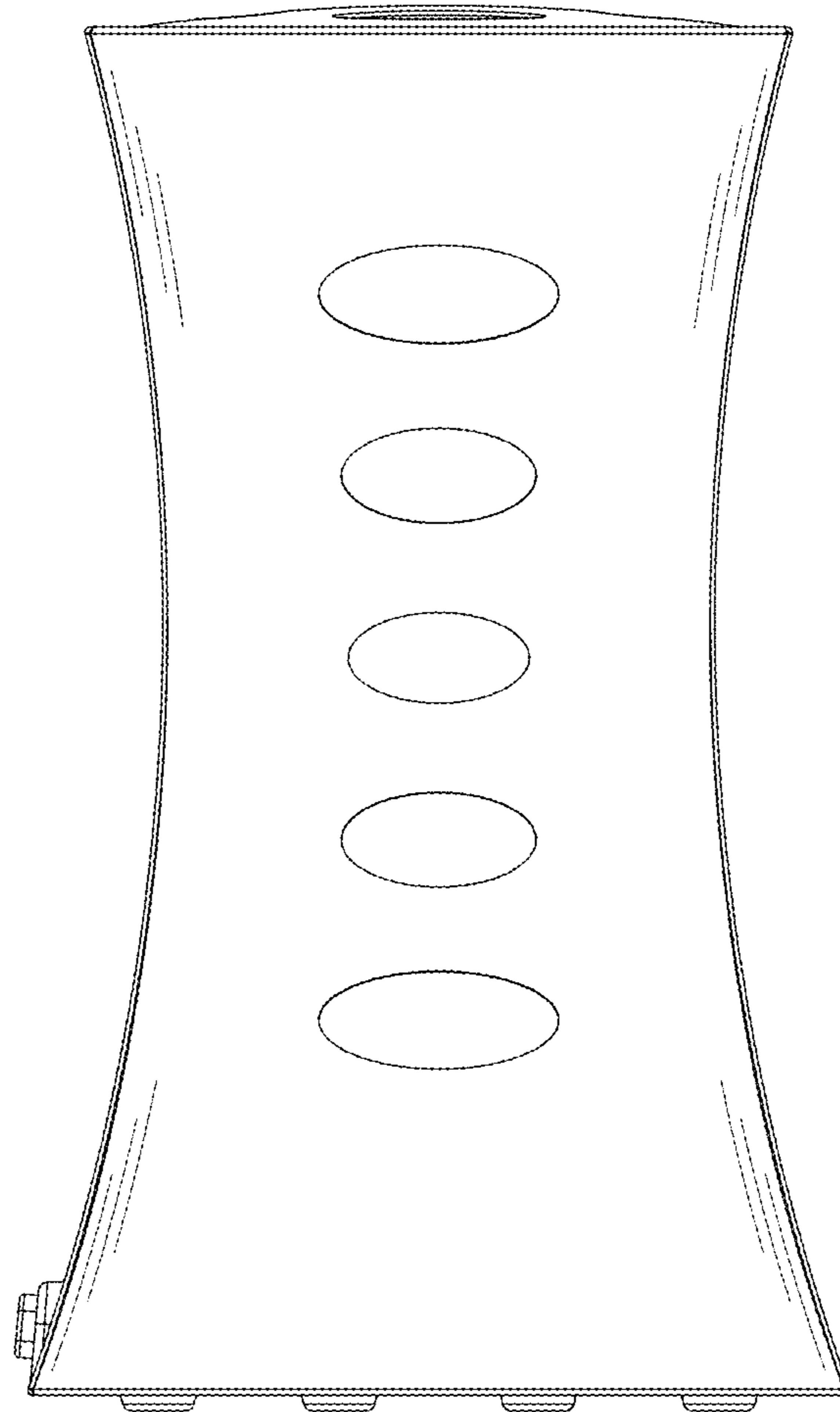


FIG. 4

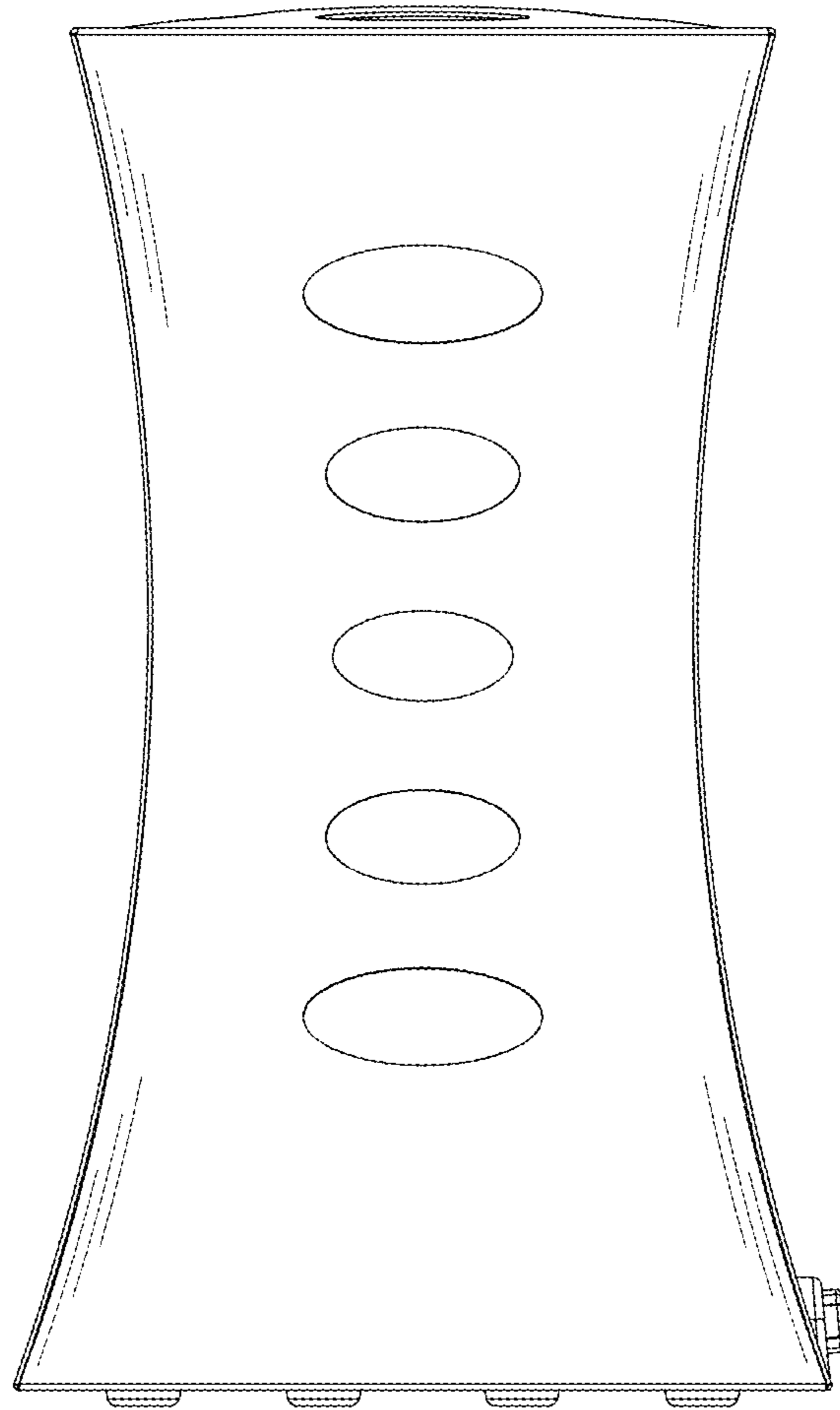


FIG. 5

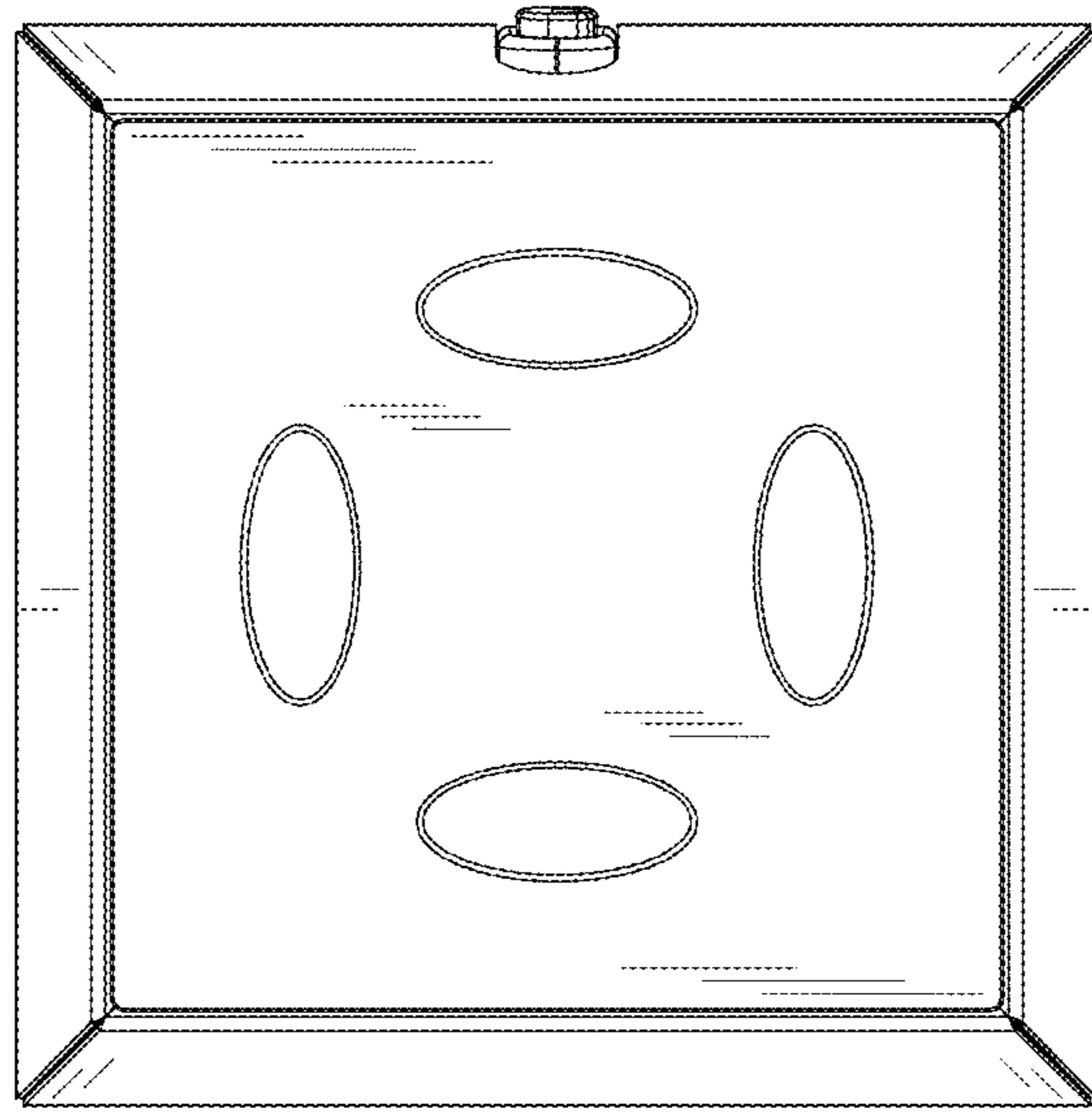


FIG. 6

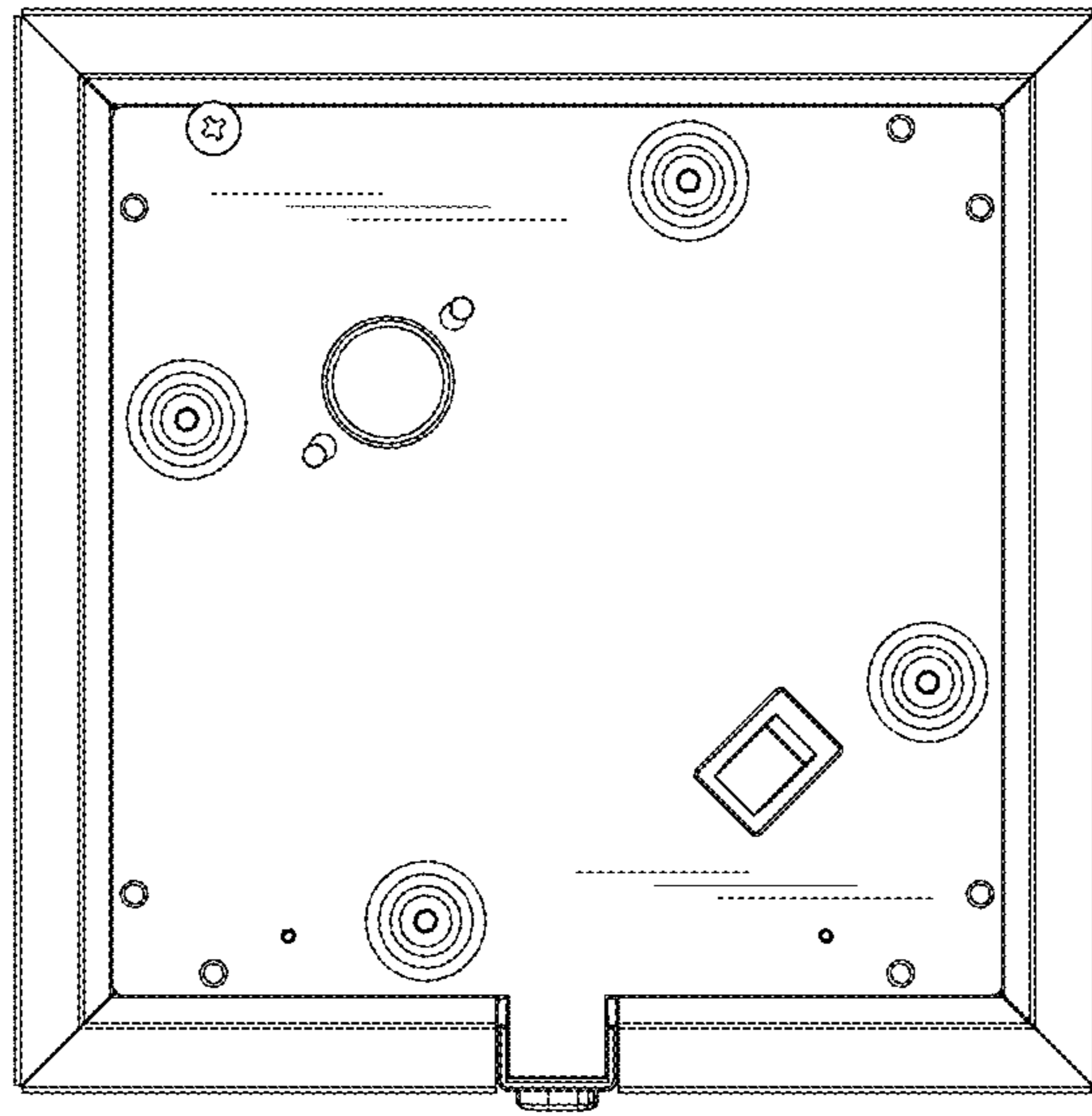


FIG. 7

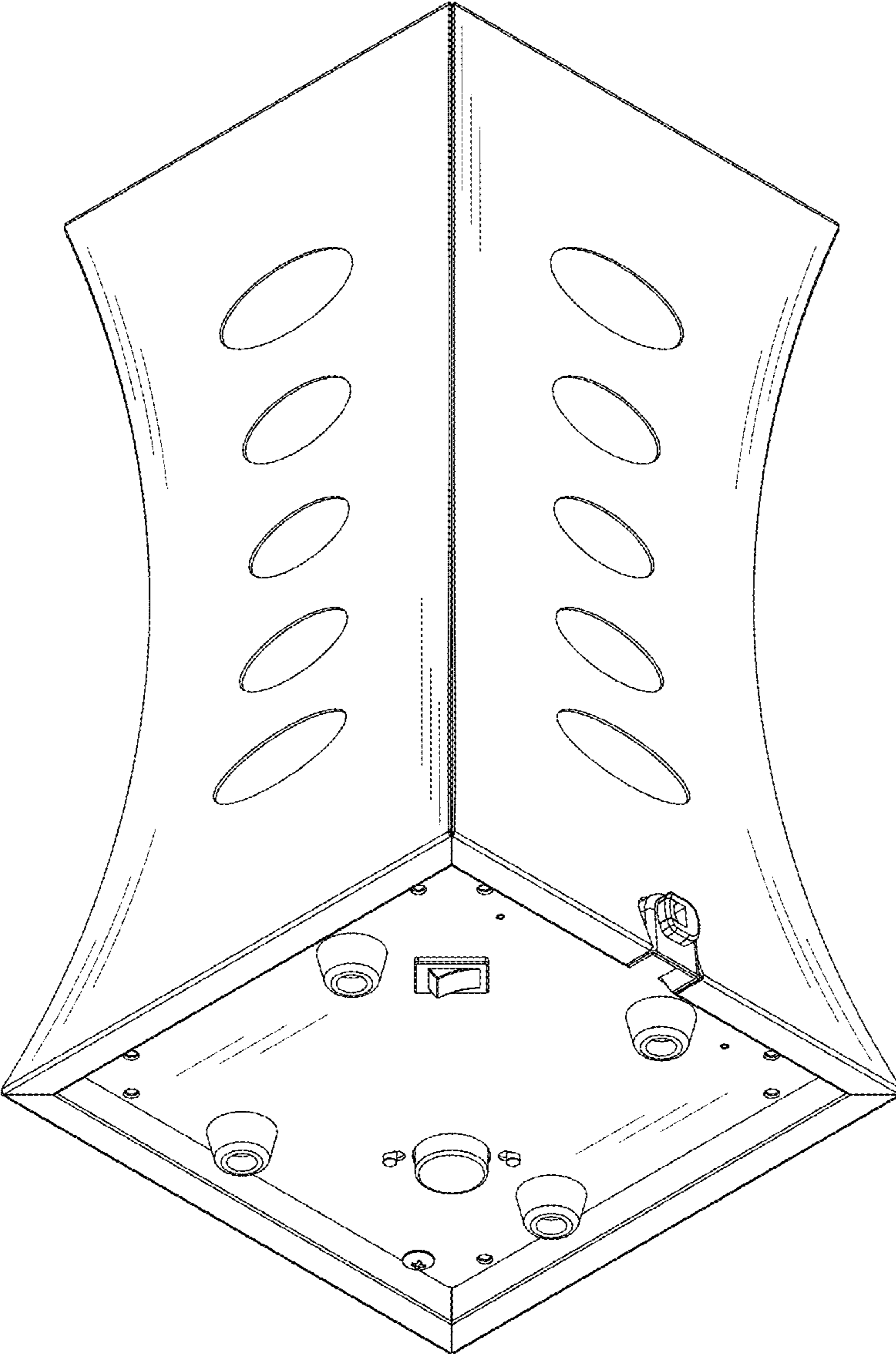


FIG. 8