



US00D818070S

(12) **United States Design Patent**  
**Pang**

(10) **Patent No.:** **US D818,070 S**

(45) **Date of Patent:** **\*\* May 15, 2018**

(54) **ELECTRICAL TRANSPORTATION TOOL**

(71) Applicant: **Walnut Technology Limited**, Kowloon (CN)

(72) Inventor: **Yik Hang Pang**, Hong Kong (CN)

(73) Assignee: **Walnut Technology Limited**, Kowloon (CN)

(\*\*) Term: **15 Years**

(21) Appl. No.: **29/602,886**

(22) Filed: **May 4, 2017**

(30) **Foreign Application Priority Data**

Feb. 27, 2017 (CN) ..... 2017 3 0051787

(51) **LOC (11) Cl.** ..... **21-02**

(52) **U.S. Cl.**  
USPC ..... **D21/765**

(58) **Field of Classification Search**

USPC ..... D21/419, 421, 423, 426, 662, 760, 765, D21/766, 769, 771, 776, 803; D12/1; 280/7.14, 11.115, 11.19, 11.27, 11.28, 280/14.21, 79.11, 79.2, 87.01, 87.021, 280/87.03, 87.041, 87.042, 607, 608, 609, 280/809; 180/180, 181; 434/247, 253, 434/258; D34/23, 28  
CPC ..... A63C 17/01; A63C 17/011; A63C 17/012; A63C 17/014; A63C 17/015; A63C 17/02; A63C 17/26; A63C 5/003; B60Q 1/326; B62K 3/001

See application file for complete search history.

(56) **References Cited**

**U.S. PATENT DOCUMENTS**

D298,448 S \* 11/1988 Seehaver ..... D21/765  
5,004,256 A \* 4/1991 Won ..... A63C 17/26  
280/87.042  
5,330,026 A \* 7/1994 Hsu ..... A63C 17/01  
180/181

D413,954 S \* 9/1999 Gerlach ..... D21/765  
D608,851 S \* 1/2010 Hillman ..... D21/765  
D723,123 S \* 2/2015 Norman ..... D21/765  
D724,166 S \* 3/2015 Hamborg ..... D21/765  
D798,407 S \* 9/2017 Pang ..... D21/765

\* cited by examiner

*Primary Examiner* — Cynthia M Chin

(74) *Attorney, Agent, or Firm* — Finnegan, Henderson, Farabow, Garrett & Dunner, LLP

(57) **CLAIM**

The ornamental design for an electrical transportation tool, as shown and described.

**DESCRIPTION**

FIG. 1 is a top, front, right perspective view of an electrical transportation tool, showing my new design;

FIG. 2 is a bottom, rear, left perspective view thereof;

FIG. 3 is a bottom, right perspective view thereof;

FIG. 4 is a top, front, left perspective view thereof;

FIG. 5 is a front elevation view thereof;

FIG. 6 is a rear elevation view thereof;

FIG. 7 is a right side elevation view thereof;

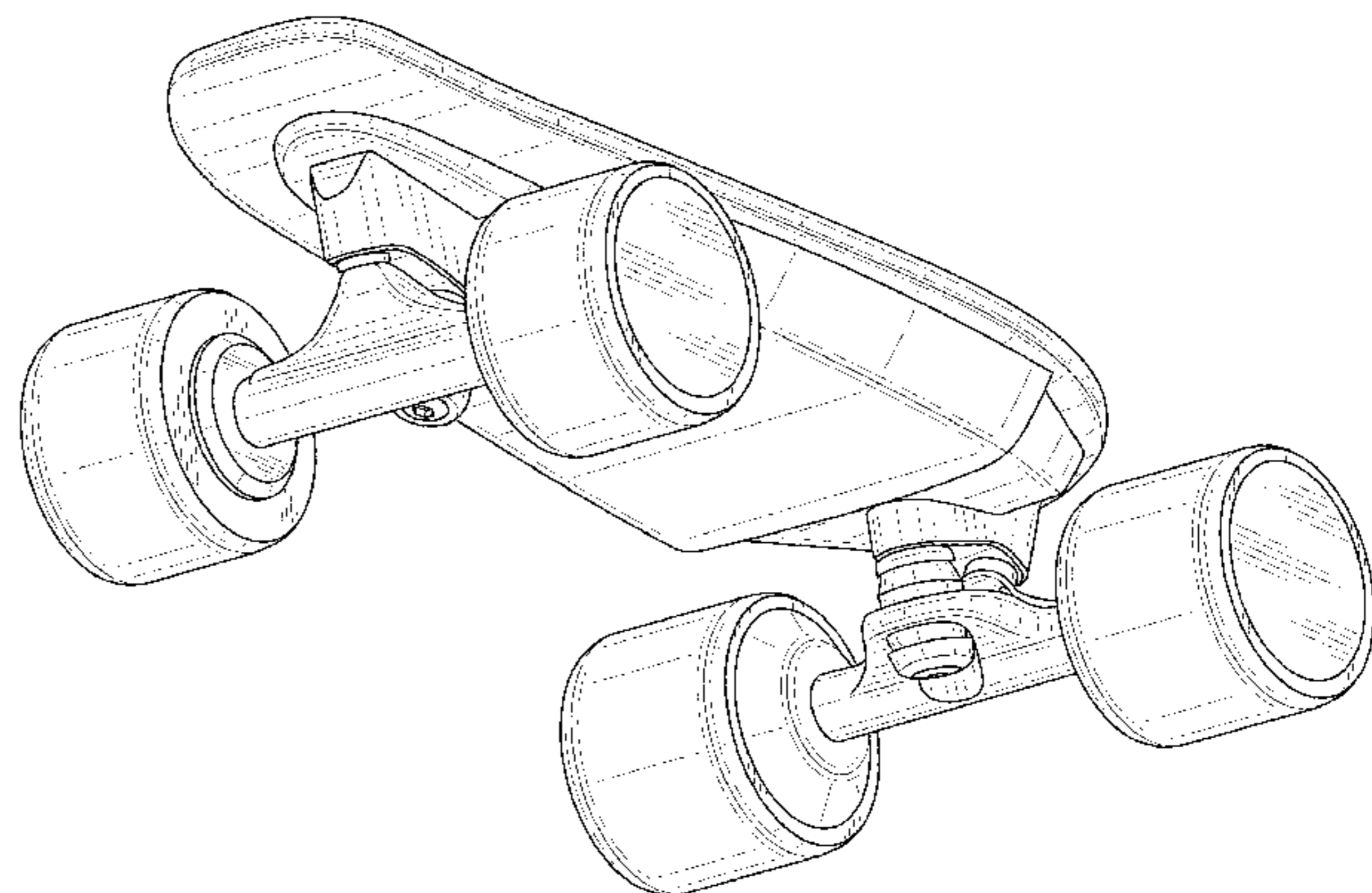
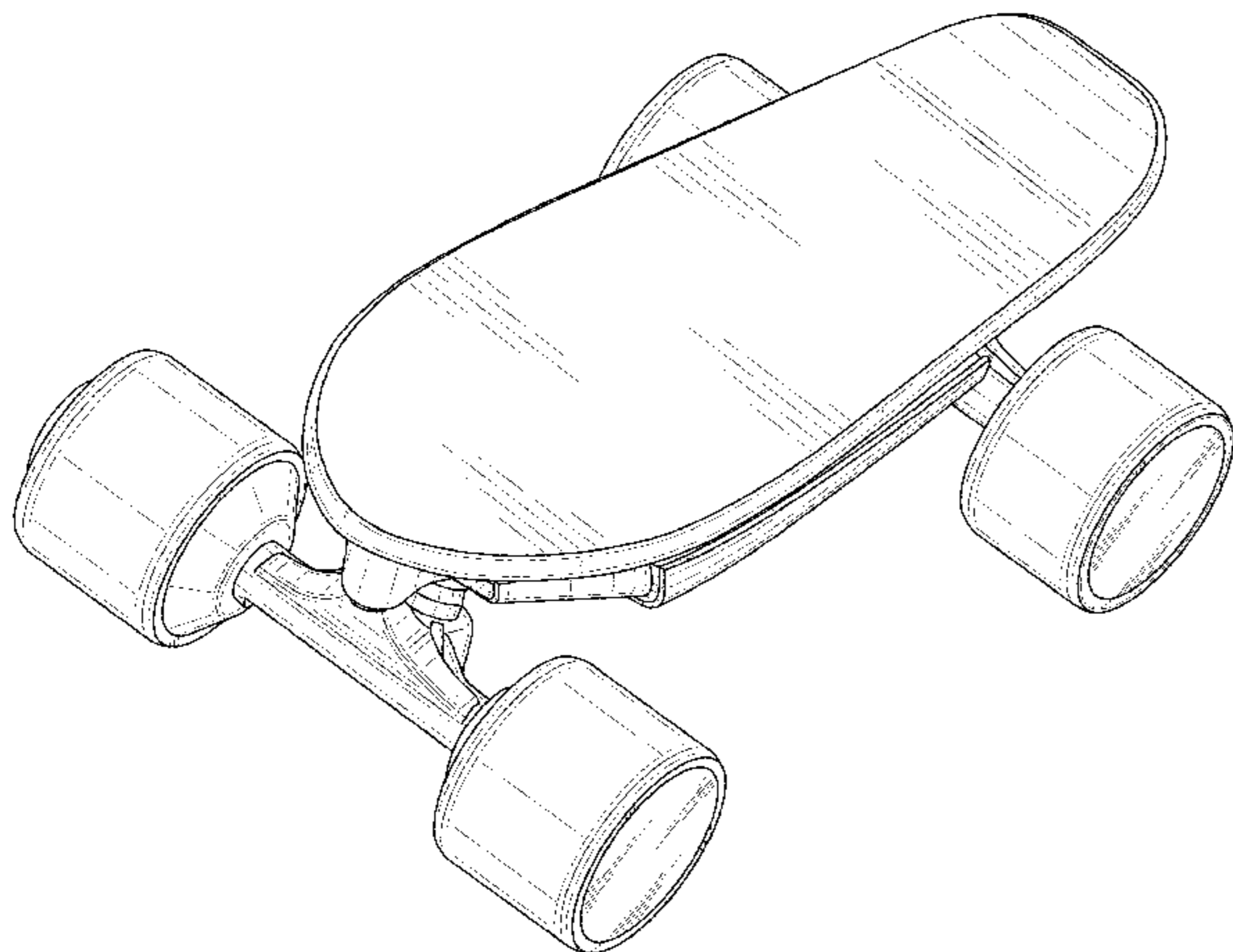
FIG. 8 is a left side elevation view thereof;

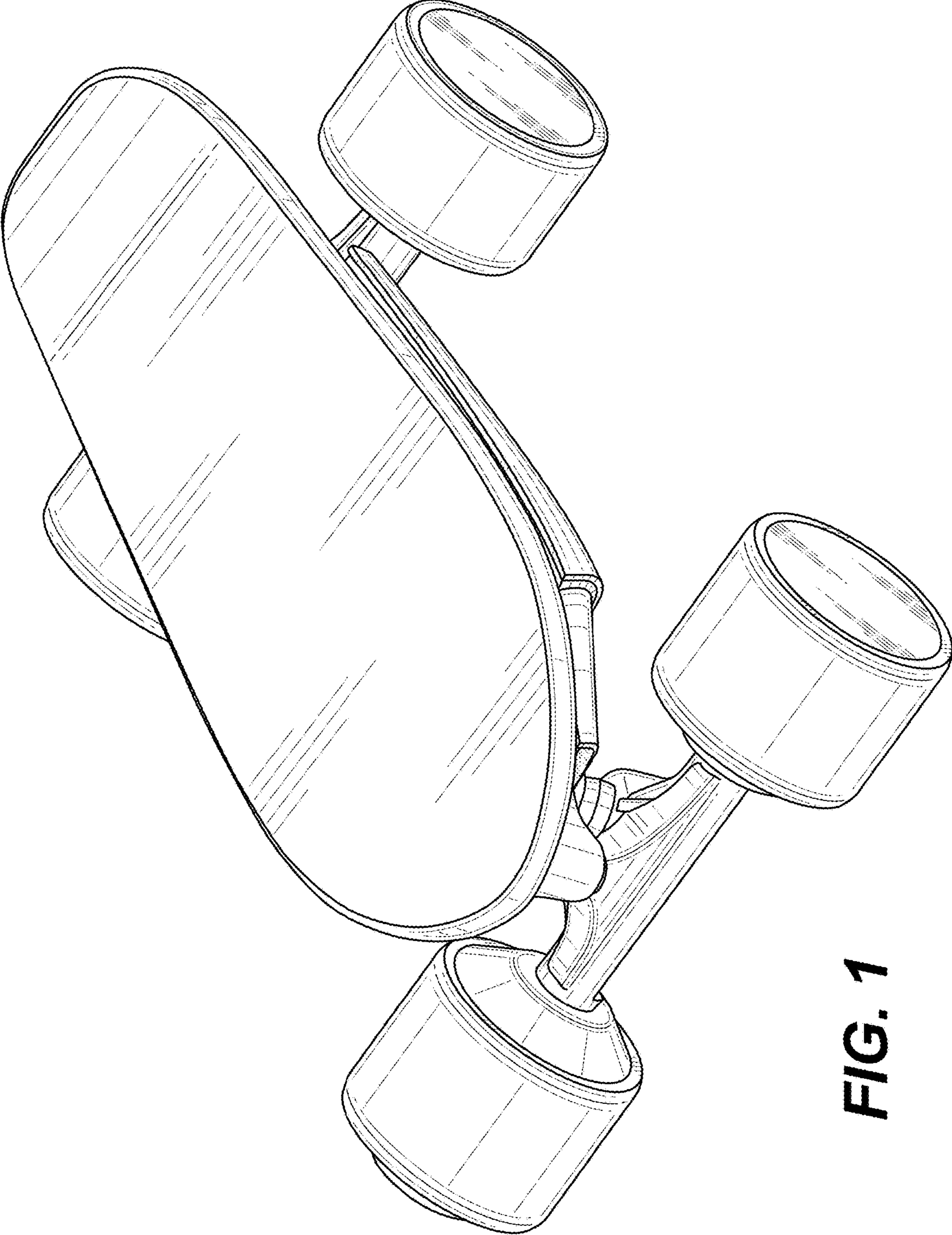
FIG. 9 is a top plan view thereof; and,

FIG. 10 is a bottom plan view thereof.

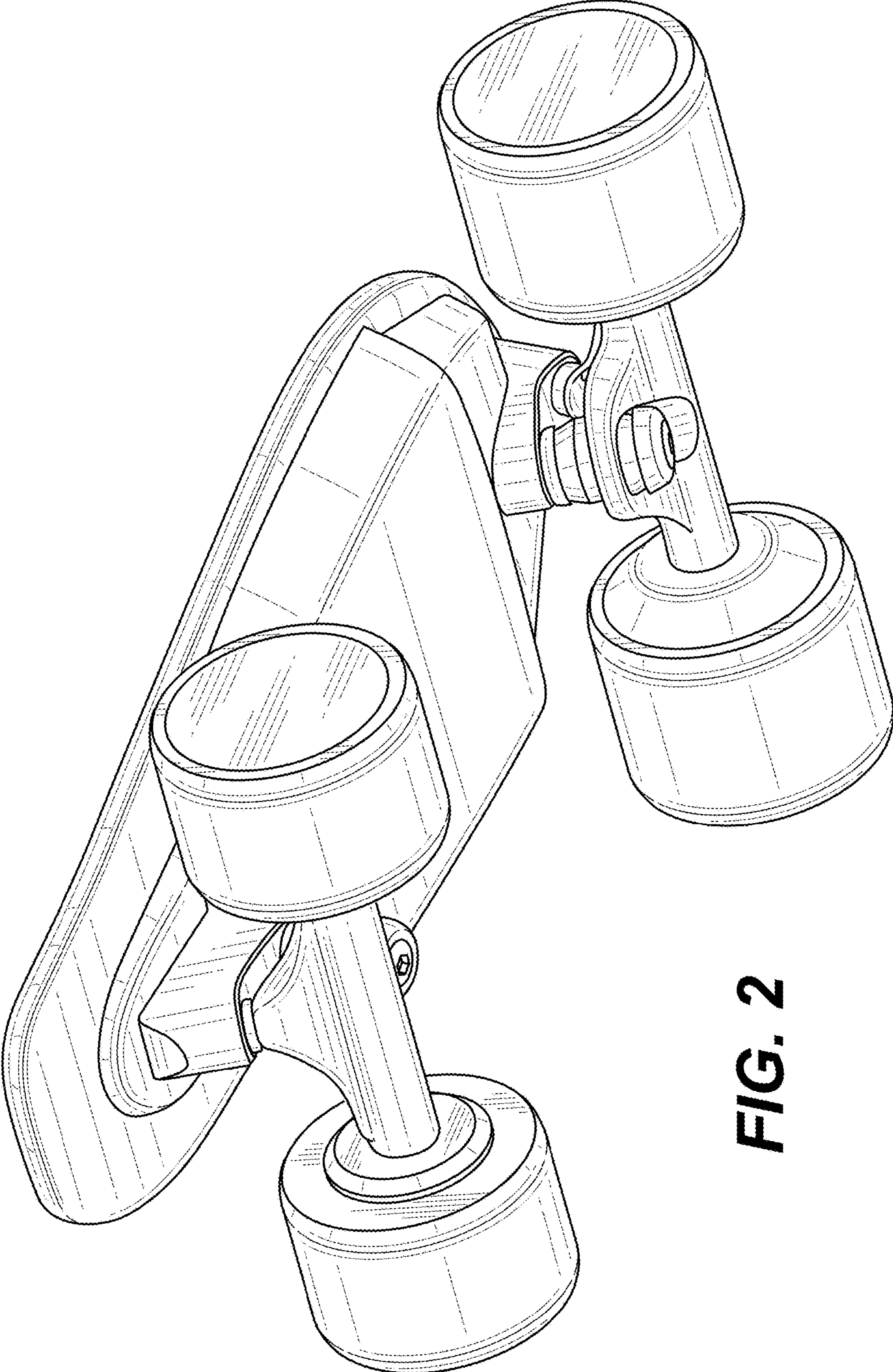
Contrast in materials is shown using line shading on some surfaces and stippling shading on others.

**1 Claim, 10 Drawing Sheets**

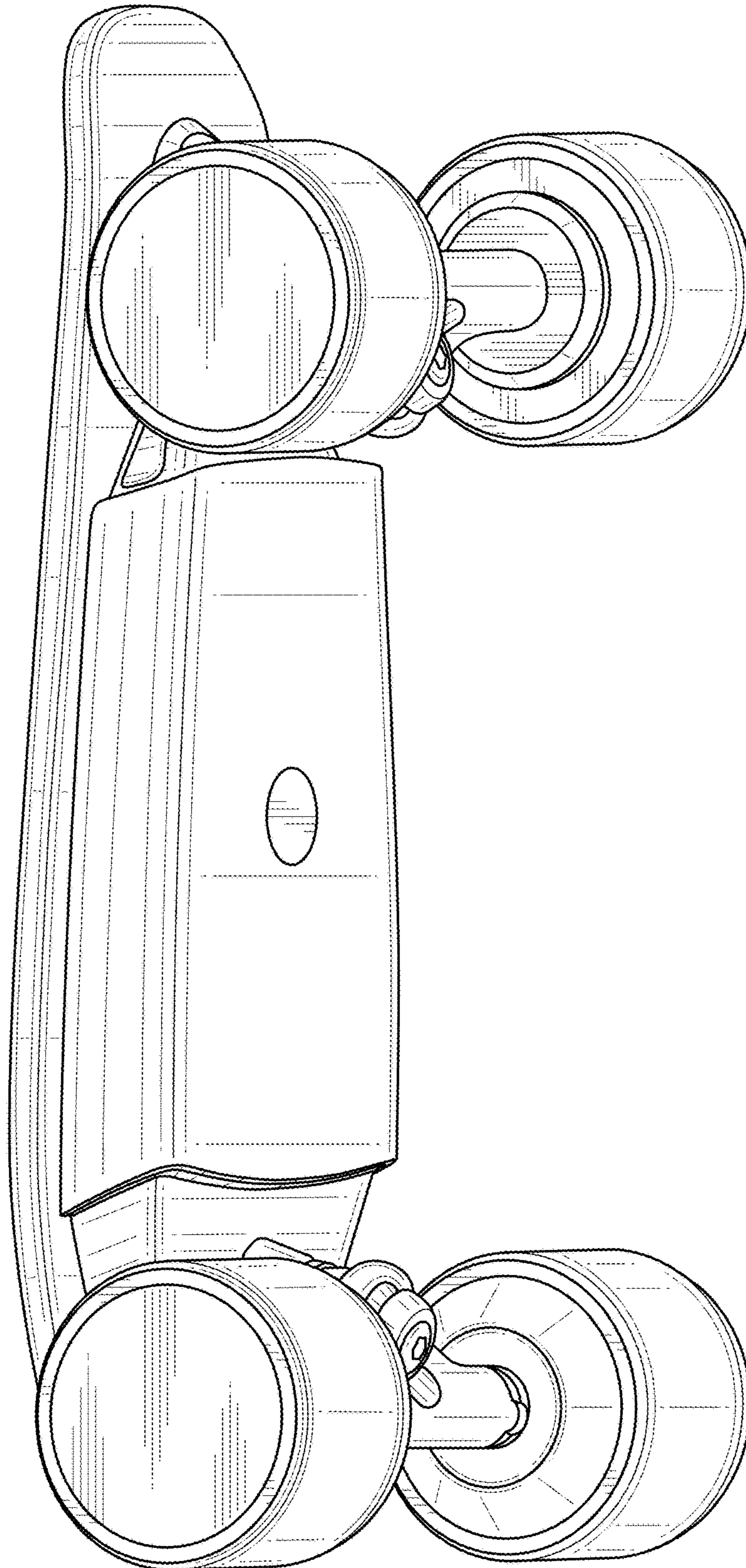




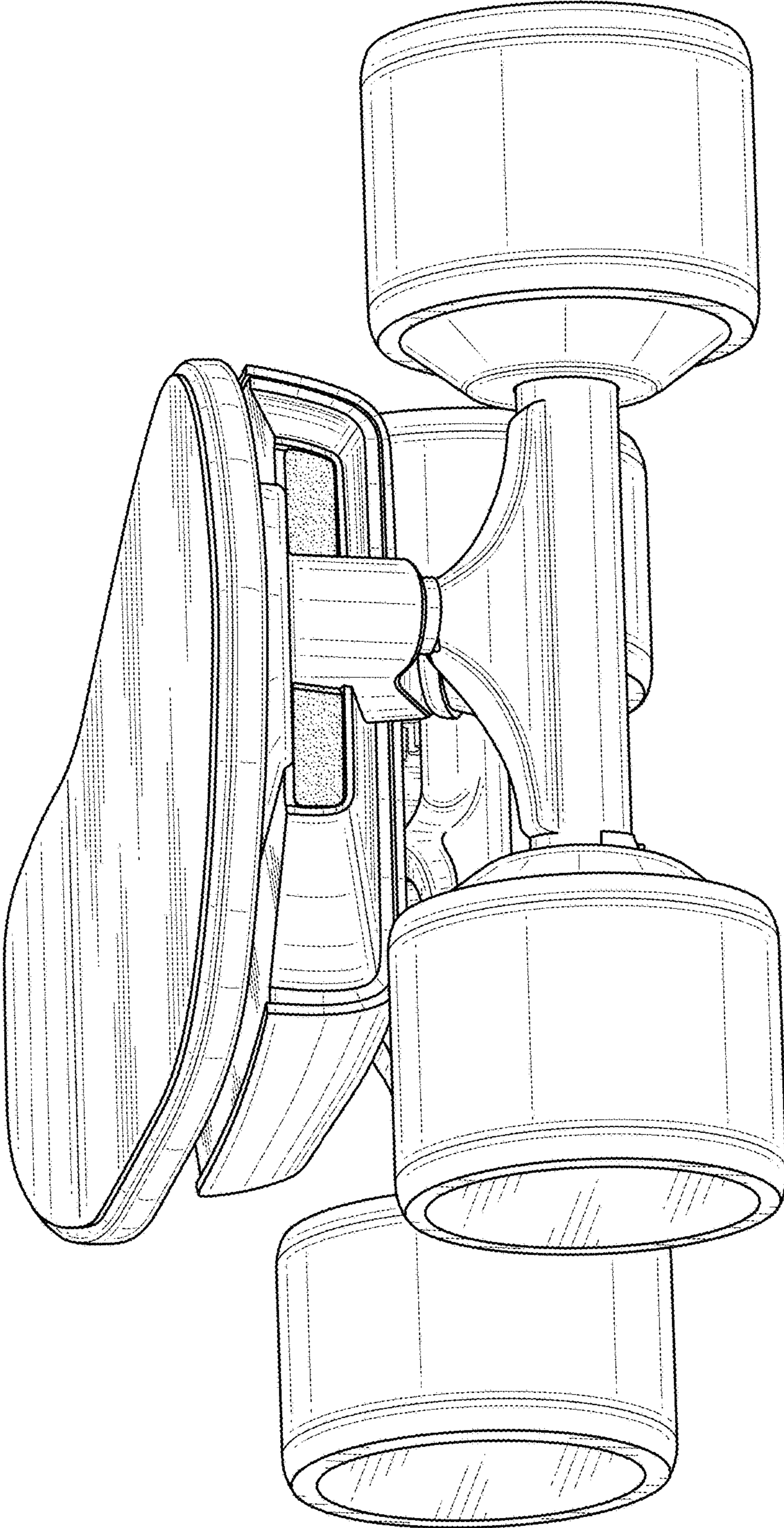
**FIG. 1**



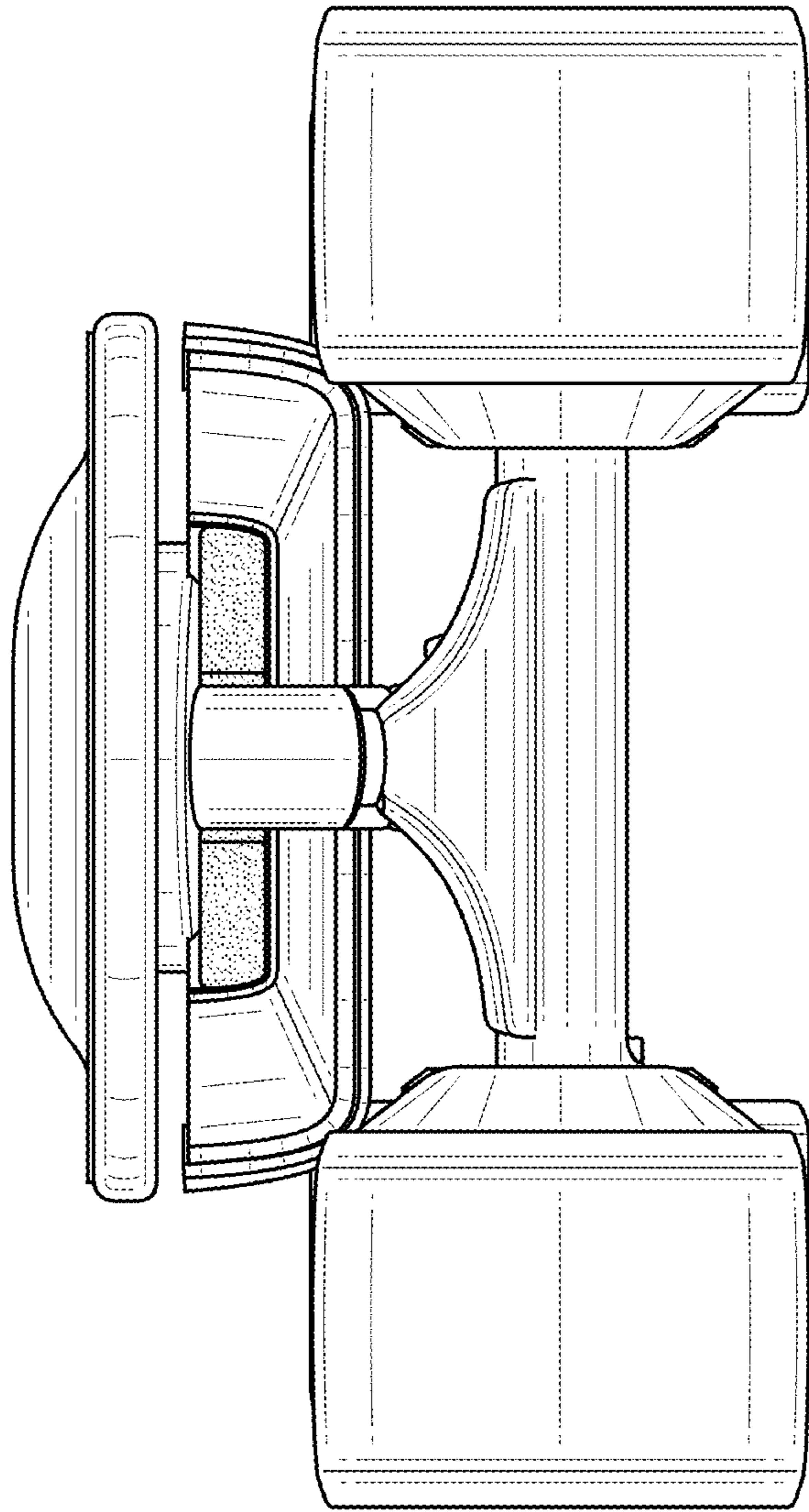
**FIG. 2**



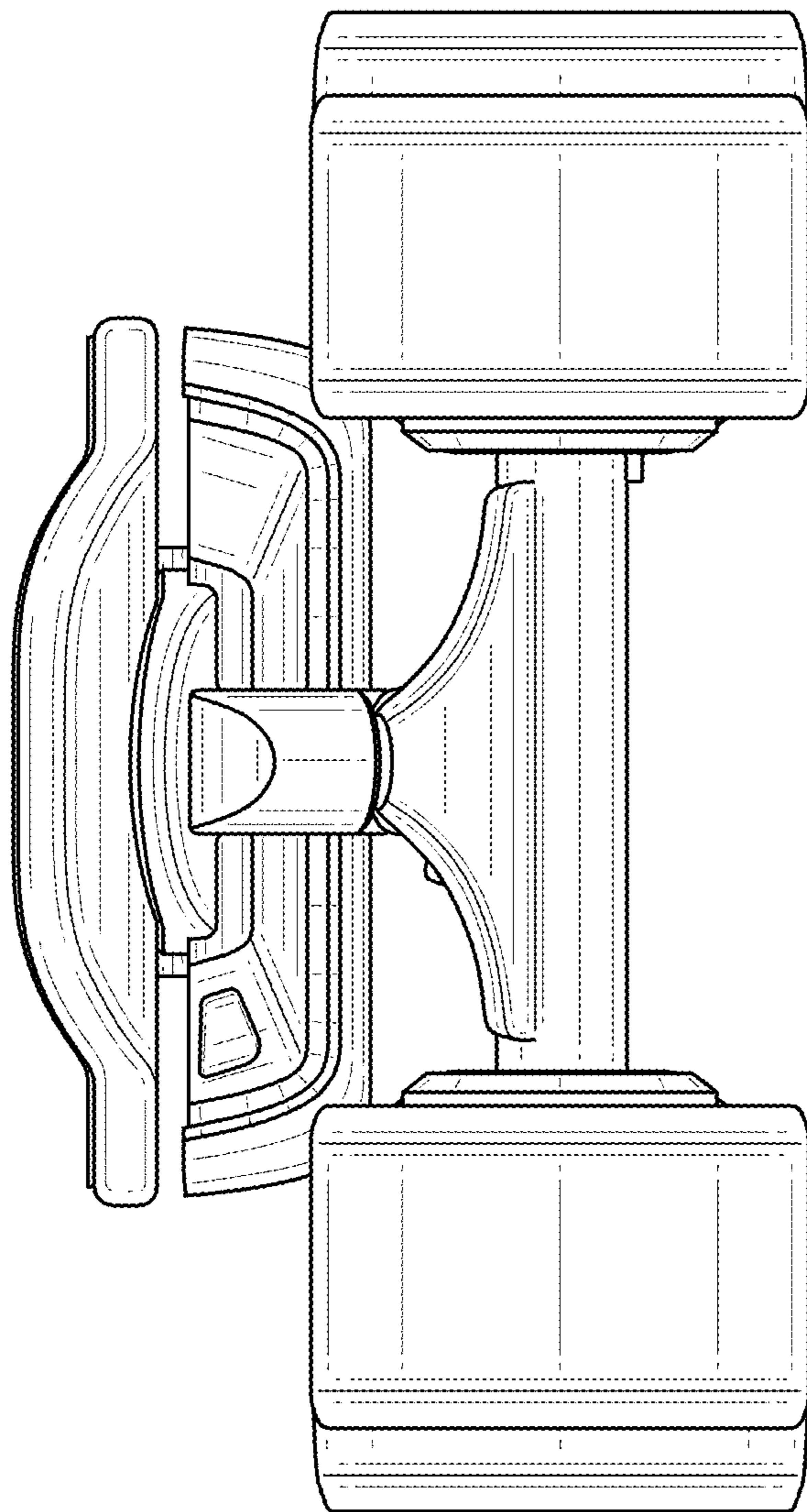
**FIG. 3**



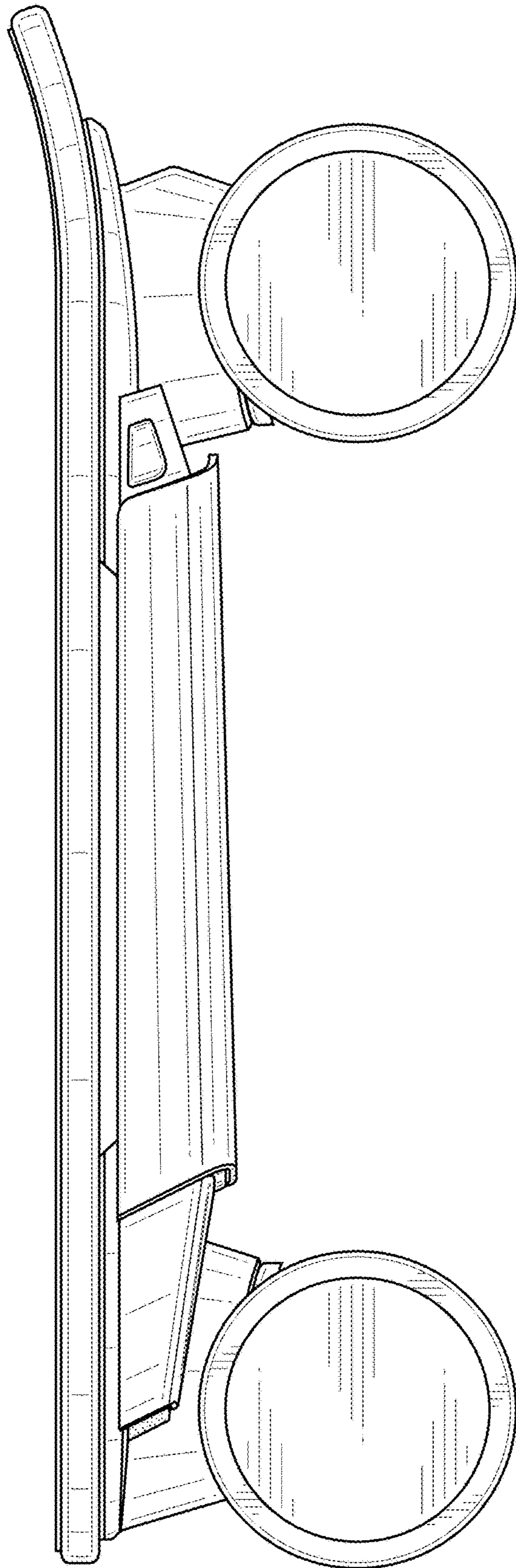
**FIG. 4**



**FIG. 5**

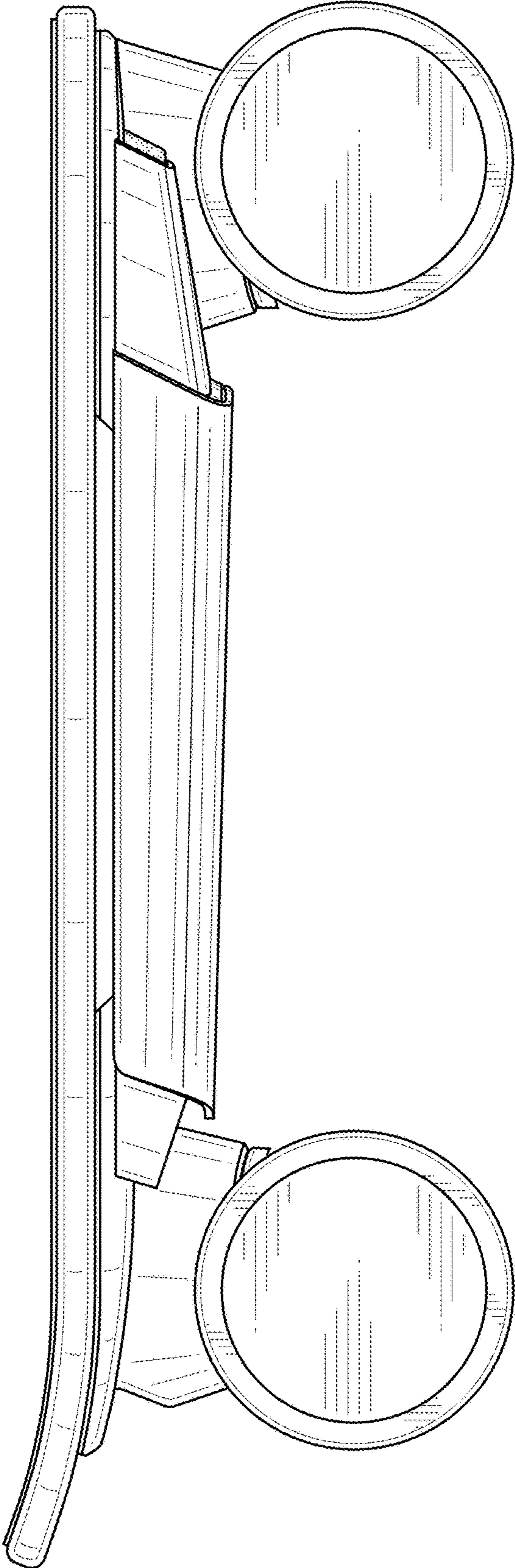


**FIG. 6**

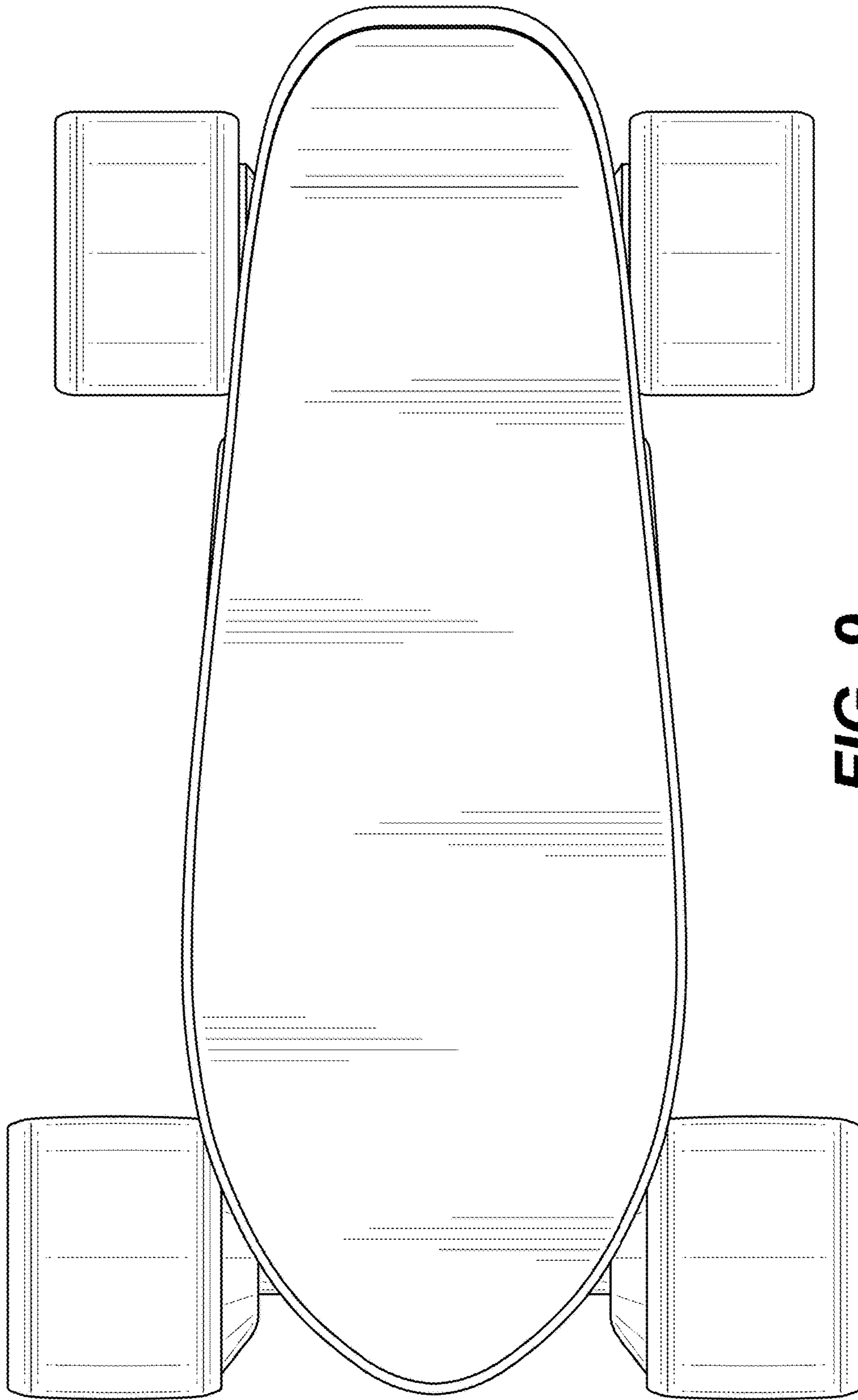


**FIG. 7**

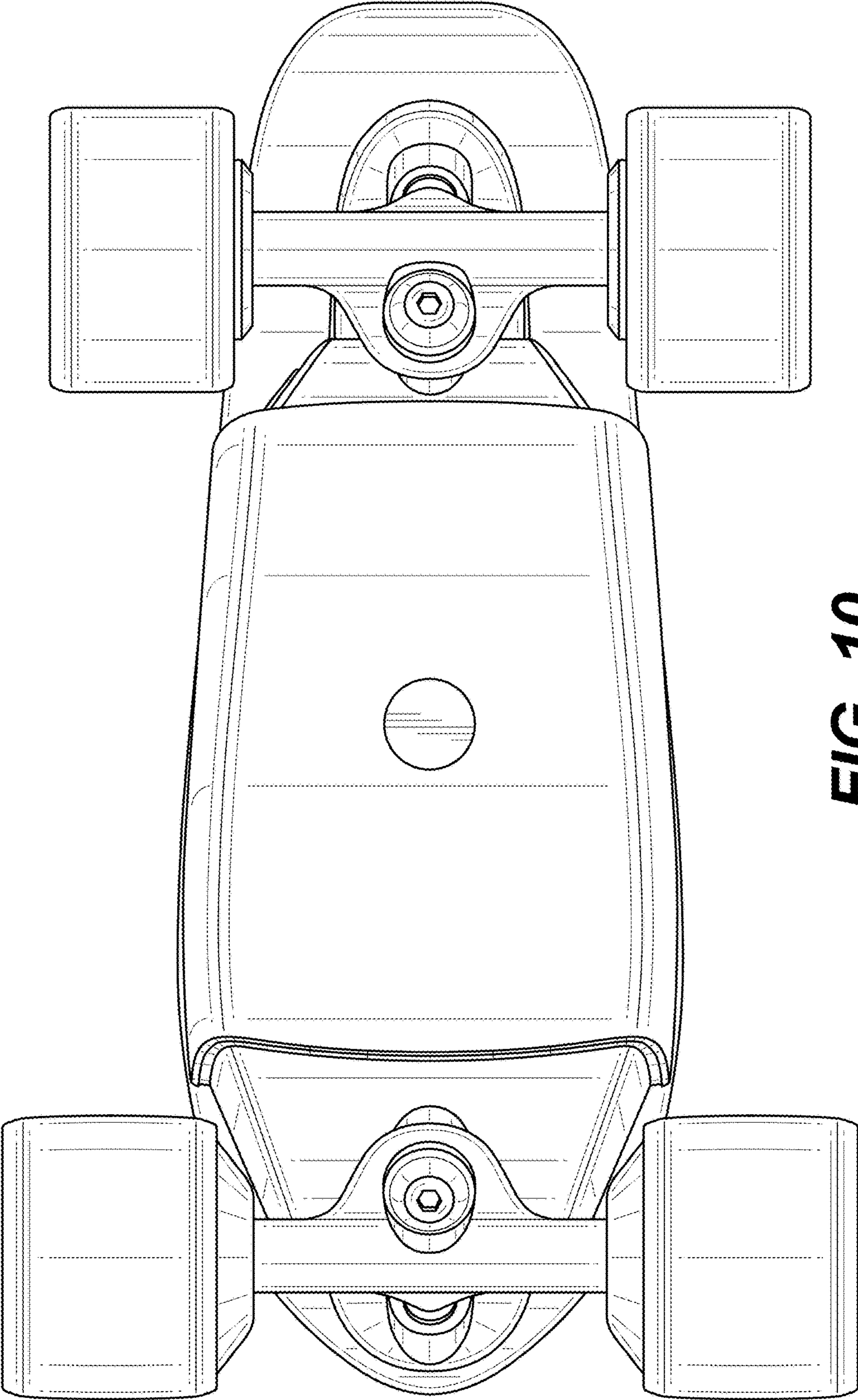




**FIG. 8**



**FIG. 9**



**FIG. 10**