



US00D818069S

(12) **United States Design Patent** (10) **Patent No.:** **US D818,069 S**  
**Torres** (45) **Date of Patent:** **\*\* May 15, 2018**

(54) **SKATEBOARD**

(71) Applicant: **Dan Anthony Torres**, Torrance, CA (US)

(72) Inventor: **Dan Anthony Torres**, Torrance, CA (US)

(\*\*) Term: **15 Years**

(21) Appl. No.: **29/586,820**

(22) Filed: **Dec. 7, 2016**

(51) **LOC (11) Cl.** ..... **21-02**

(52) **U.S. Cl.**  
 USPC ..... **D21/765**

(58) **Field of Classification Search**  
 USPC ..... D21/419, 421, 423, 426, 662, 760, 765, D21/766, 769, 771, 776; D12/1; 280/7.14, 11.115, 11.19, 11.27, 87.042, 280/610; 434/247, 253, 258; D34/23, D34/28; 180/181  
 CPC ..... A63C 17/01; A63C 17/011; A63C 17/012; A63C 17/014; A63C 17/015; A63C 17/02; A63C 17/26; A63C 5/003; B60C 1/326; B62K 3/001  
 See application file for complete search history.

D692,079 S \* 10/2013 Macay ..... D21/765  
 D705,372 S \* 5/2014 Harris ..... D21/765  
 8,936,263 B2 \* 1/2015 Rawlins ..... A63C 17/0093  
 280/87.042  
 D724,166 S \* 3/2015 Hamborg ..... D21/765  
 D731,016 S \* 6/2015 Scott ..... D21/769  
 D745,617 S \* 12/2015 Jensen ..... D21/765  
 D751,160 S \* 3/2016 Tian ..... D21/765  
 9,415,296 B1 \* 8/2016 Miller ..... A63C 17/26  
 D785,739 S \* 5/2017 Nay ..... D21/779  
 9,707,469 B2 \* 7/2017 Roland ..... A63C 17/012  
 D797,227 S \* 9/2017 Treadway ..... D21/765  
 D798,407 S \* 9/2017 Pang ..... D21/765  
 9,827,482 B2 \* 11/2017 Mackay ..... A63C 17/01  
 2014/0027192 A1 \* 1/2014 King ..... A63C 17/12  
 180/181

\* cited by examiner

*Primary Examiner* — Vy Koenig  
*Assistant Examiner* — Keith Wilson  
 (74) *Attorney, Agent, or Firm* — Dunlap Bennett & Ludwig PLLC

(57) **CLAIM**

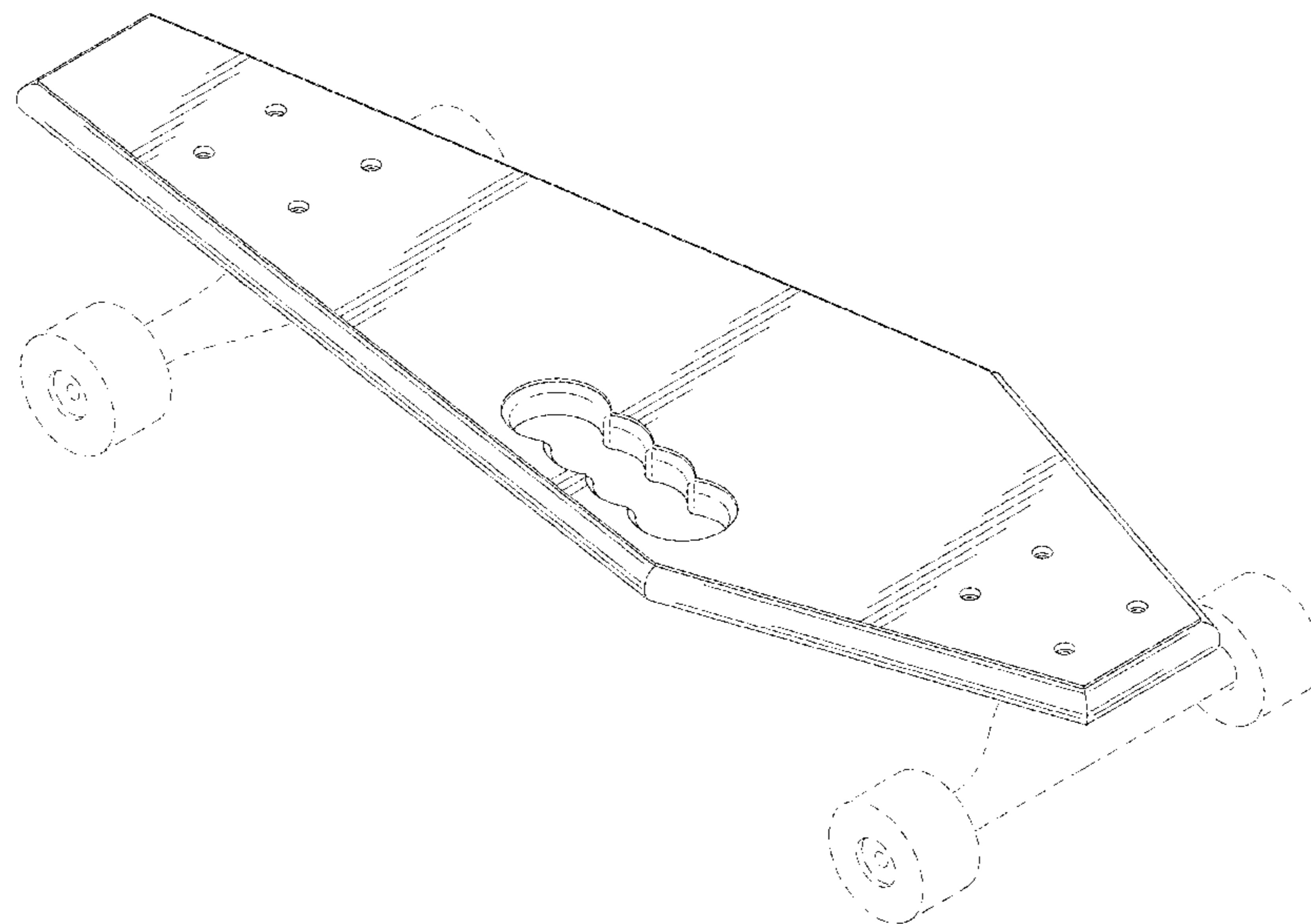
The ornamental design for a skateboard, as shown and described.

**DESCRIPTION**

FIG. 1 is a top front perspective view of a skateboard;  
 FIG. 2 is a top plan view thereof;  
 FIG. 3 is a bottom plan view thereof;  
 FIG. 4 is a front elevation view thereof, the rear elevation view being a mirror image thereof;  
 FIG. 5 is a right elevation view thereof; and,  
 FIG. 6 is a left elevation view thereof.  
 The broken lines shown in the drawings depict portions of the skateboard that form no part of the claimed design.

**1 Claim, 4 Drawing Sheets**

(56) **References Cited**  
 U.S. PATENT DOCUMENTS  
 D200,917 S \* 4/1965 Markham ..... 280/87.042  
 4,337,963 A \* 7/1982 Stevenson ..... A63C 17/017  
 280/610  
 D422,661 S \* 4/2000 Edwards ..... D21/765  
 D558,290 S \* 12/2007 Findling ..... D21/765  
 D629,859 S \* 12/2010 Buksa ..... D21/765  
 D649,615 S \* 11/2011 Scott ..... D21/769  
 D679,768 S \* 4/2013 Dye ..... D21/765



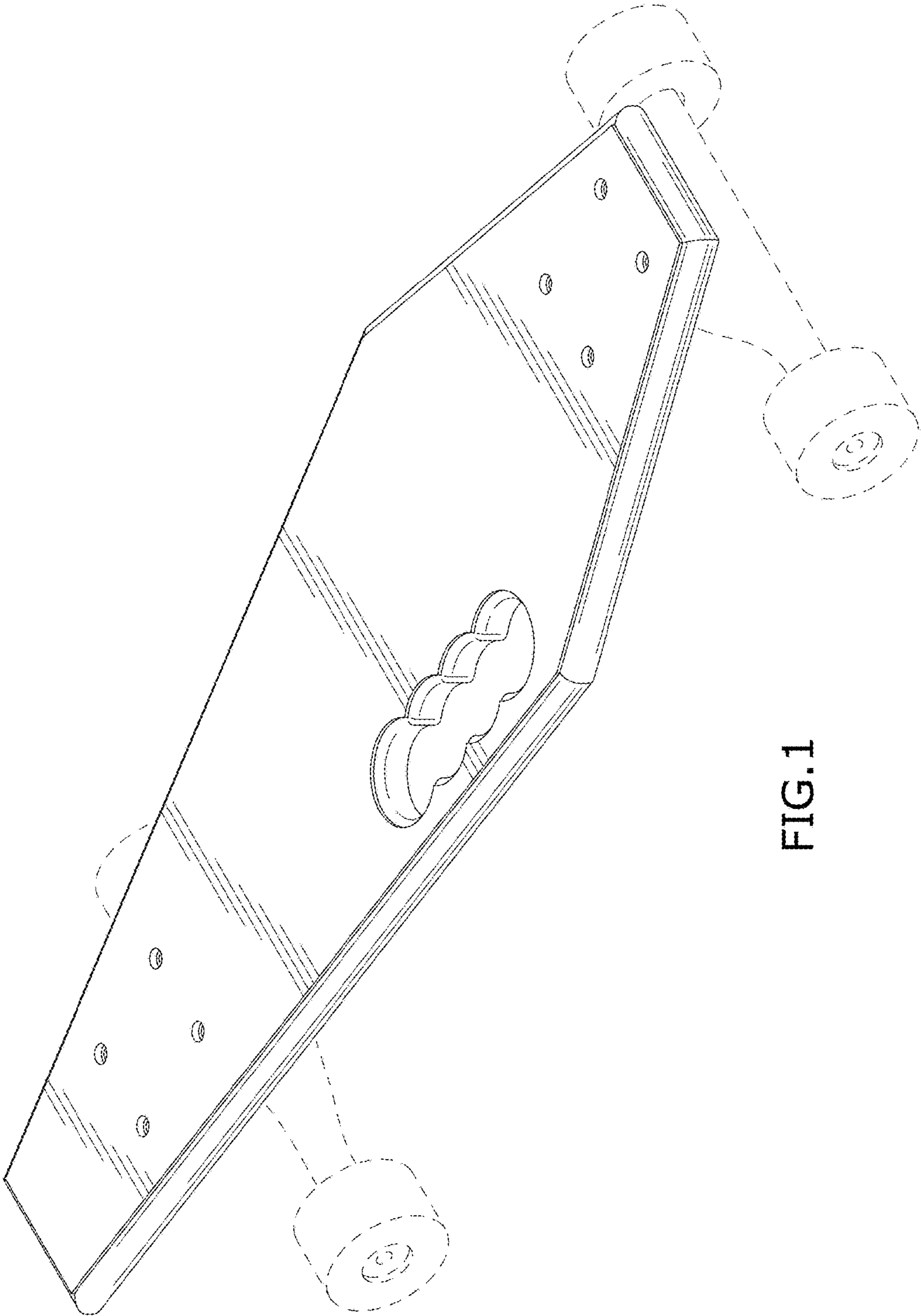


FIG. 1

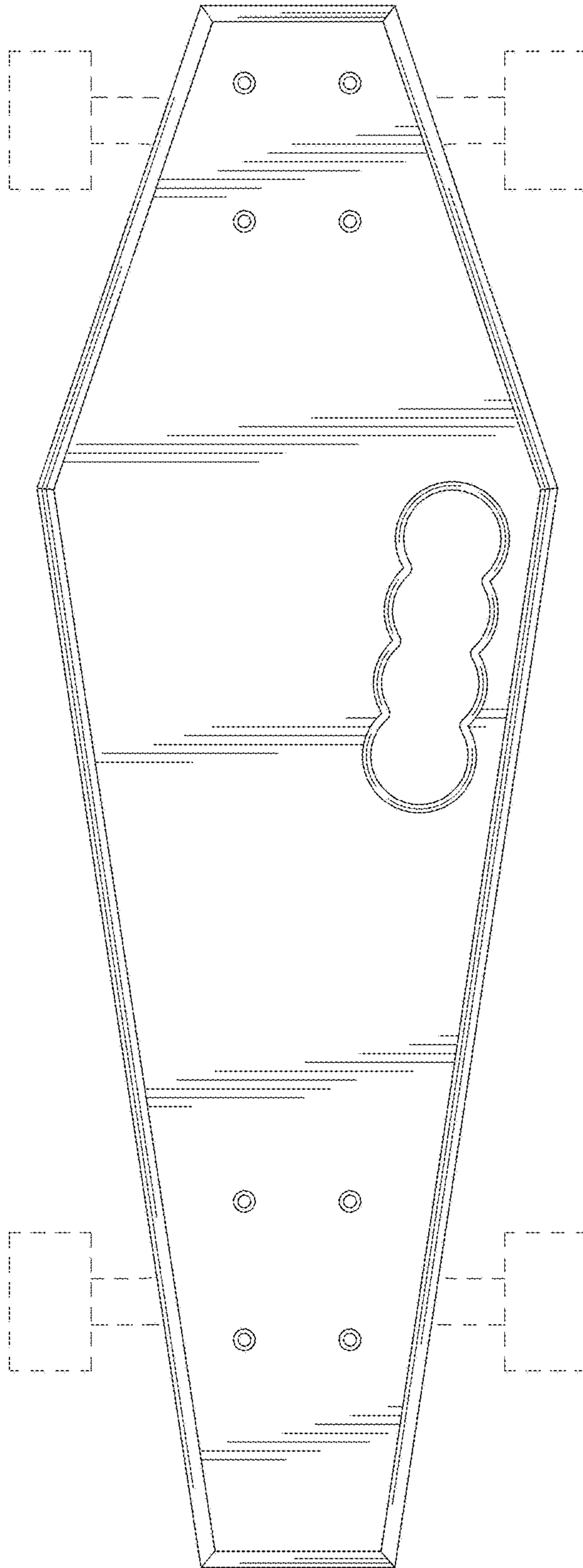


FIG.2

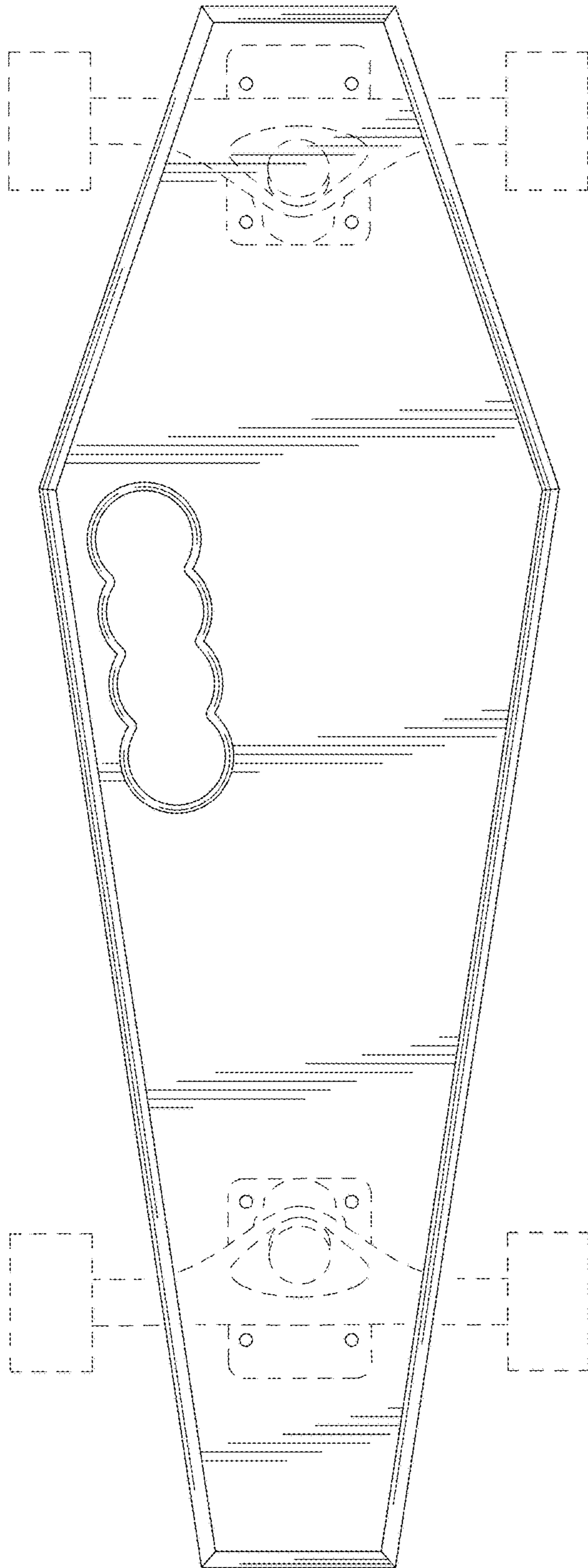


FIG. 3

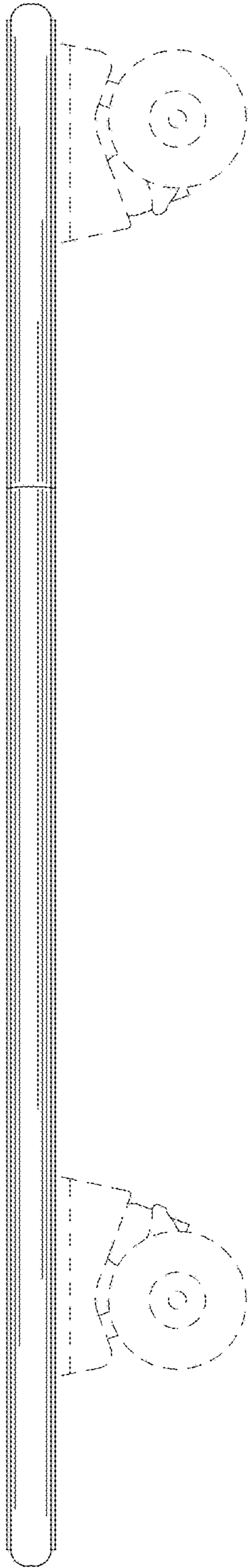


FIG. 4

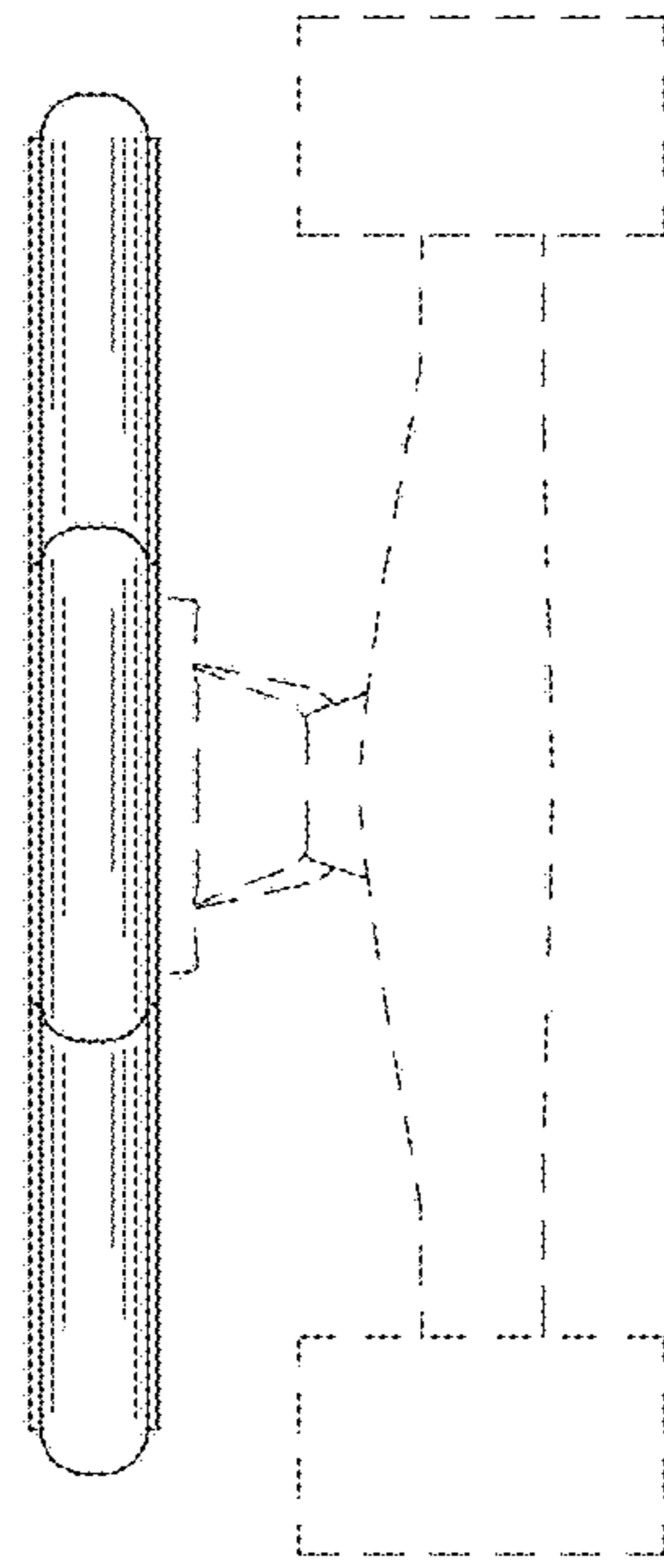


FIG. 6

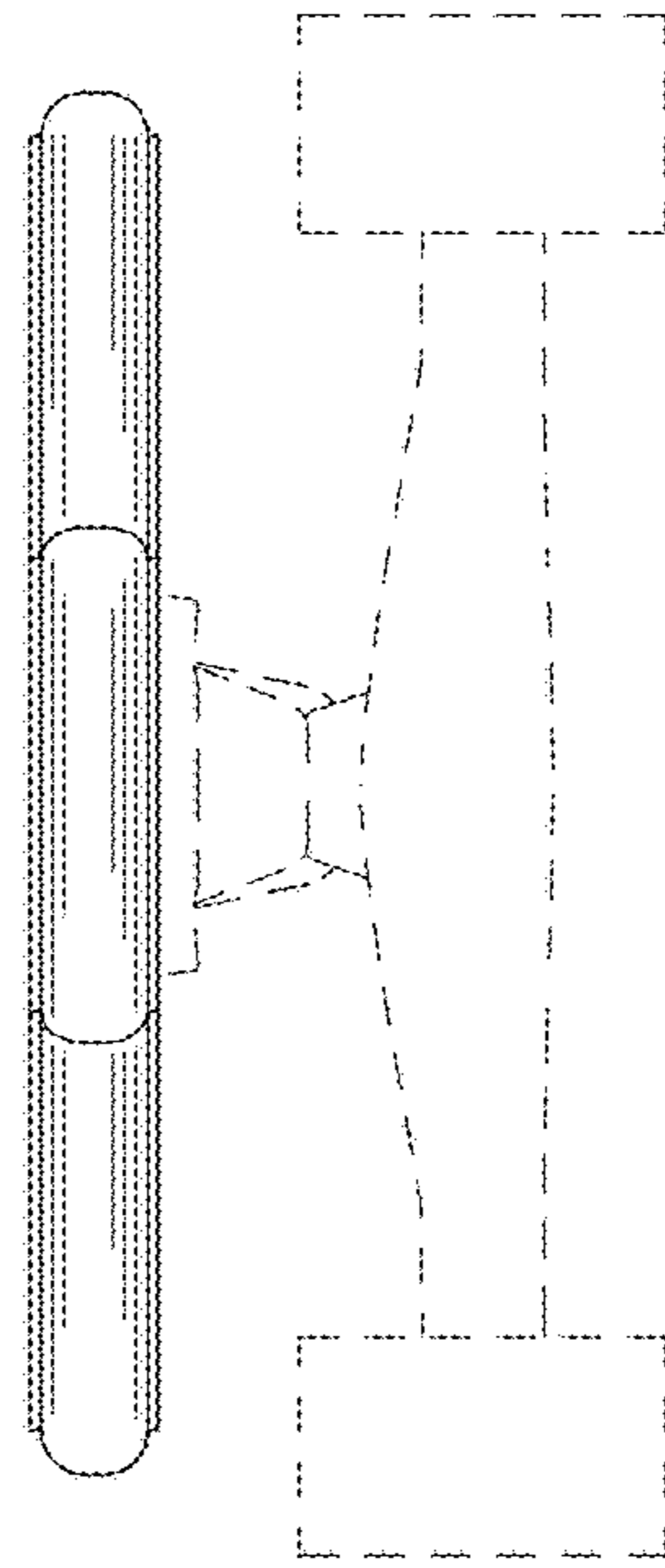


FIG. 5