

US00D818068S

(12) **United States Design Patent**
Southard et al.

(10) **Patent No.:** **US D818,068 S**

(45) **Date of Patent:** **** May 15, 2018**

(54) **ROLLER BOARD**

(71) Applicants: **Christopher Southard**, Palm Beach Gardens, FL (US); **Douglas Avdellas**, Palm Beach Gardens, FL (US)

(72) Inventors: **Christopher Southard**, Palm Beach Gardens, FL (US); **Douglas Avdellas**, Palm Beach Gardens, FL (US)

(**) Term: **15 Years**

(21) Appl. No.: **29/608,251**

(22) Filed: **Jun. 20, 2017**

(51) **LOC (11) Cl.** **21-02**

(52) **U.S. Cl.**
USPC **D21/760**

(58) **Field of Classification Search**
USPC D21/419, 421, 423, 426, 662, 760, 763, D21/765, 766, 769, 771, 776, 803; D12/1, 6, 130; 280/7.14, 11.115, 11.19, 280/11.27, 11.28, 14.21, 79.11, 79.2, 280/87.01, 87.021, 87.03, 87.041, 87.042, 280/607, 608, 609, 809; 180/180, 181; 434/247, 253, 258; D34/23, 28
CPC . A63C 17/00; A63C 17/0026; A63C 17/0033; A63C 17/01; A63C 17/04; A63C 17/265; A63C 17/26; A63C 17/28; B62K 3/002
See application file for complete search history.

(56) **References Cited**

U.S. PATENT DOCUMENTS

D257,536 S * 11/1980 Lukes D21/550
D258,169 S * 2/1981 Lukes D21/550

5,046,750 A * 9/1991 Heubl B62K 9/00 280/47.34
5,915,707 A * 6/1999 Steffen A63C 17/0026 280/87.01
D446,264 S * 8/2001 Fischer D21/662
D464,999 S * 10/2002 Gu D21/419
D466,560 S * 12/2002 Stolpmann D21/419
D569,572 S * 5/2008 Davison, III D34/23
D576,373 S * 9/2008 Whiteside D34/23
D645,925 S * 9/2011 Sramek D21/760

* cited by examiner

Primary Examiner — Cynthia M Chin

(74) *Attorney, Agent, or Firm* — McHale & Slavin, P.A.

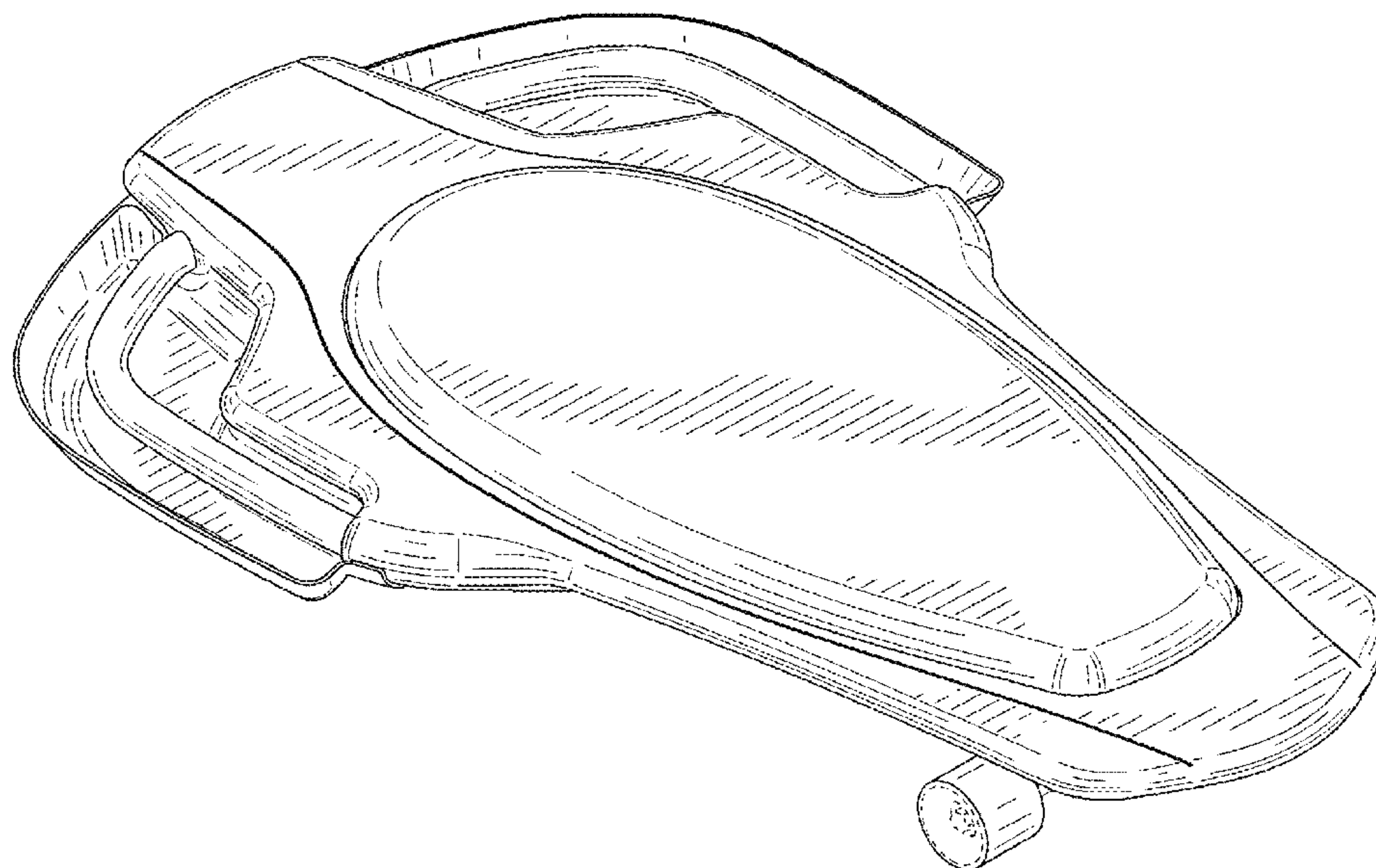
(57) **CLAIM**

The ornamental design for a roller board, as shown and described.

DESCRIPTION

FIG. 1 is a top perspective view of the roller board of the instant invention;
FIG. 2 is a top view thereof;
FIG. 3 is a bottom view thereof;
FIG. 4 is a right side view thereof;
FIG. 5 is a left side view thereof;
FIG. 6 is a front side view thereof; and,
FIG. 7 is a rear side view thereof.
The broken lines are for the purpose of illustrating portions of the article that form no part of the claim.

1 Claim, 5 Drawing Sheets



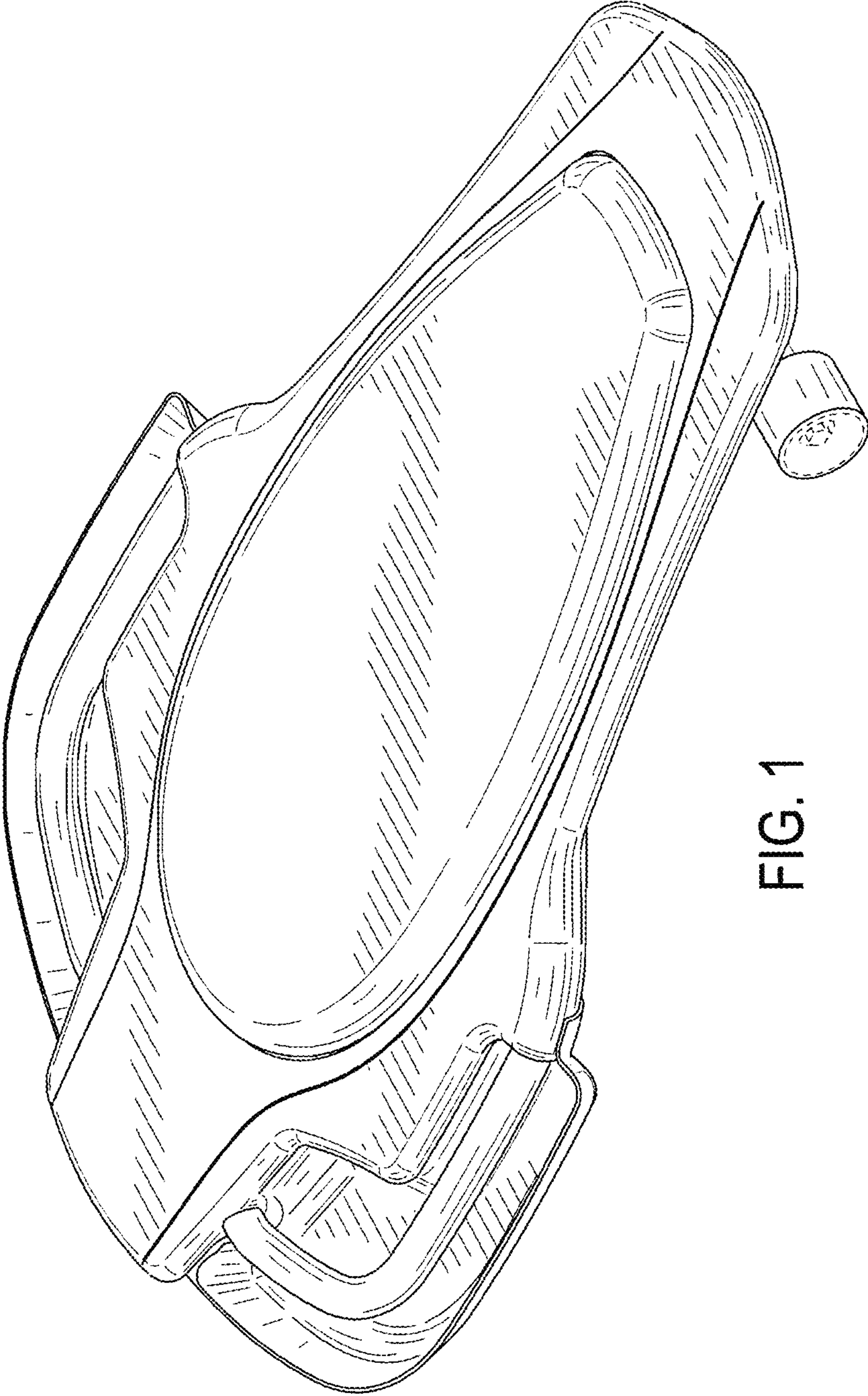


FIG. 1

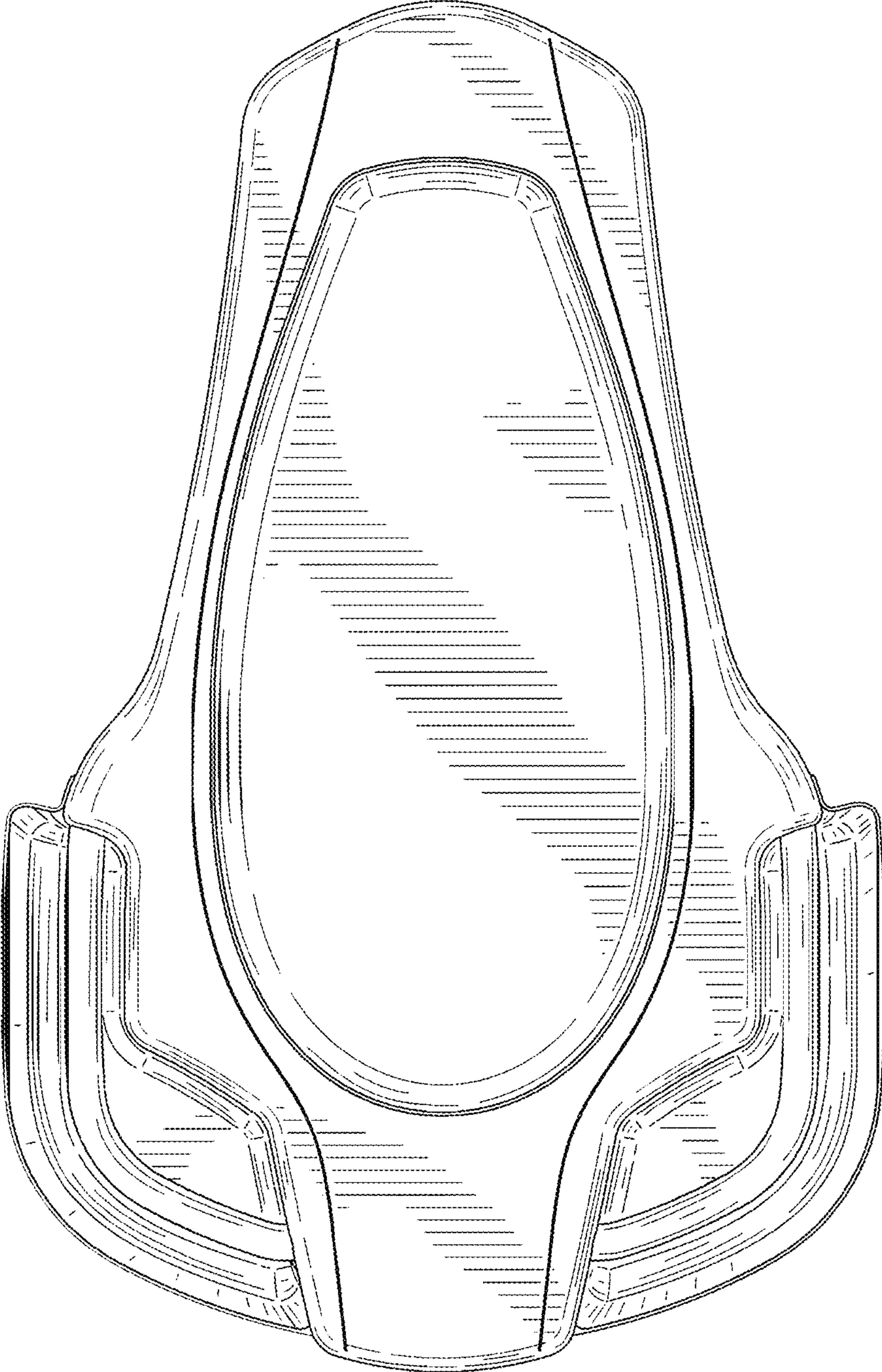


FIG. 2

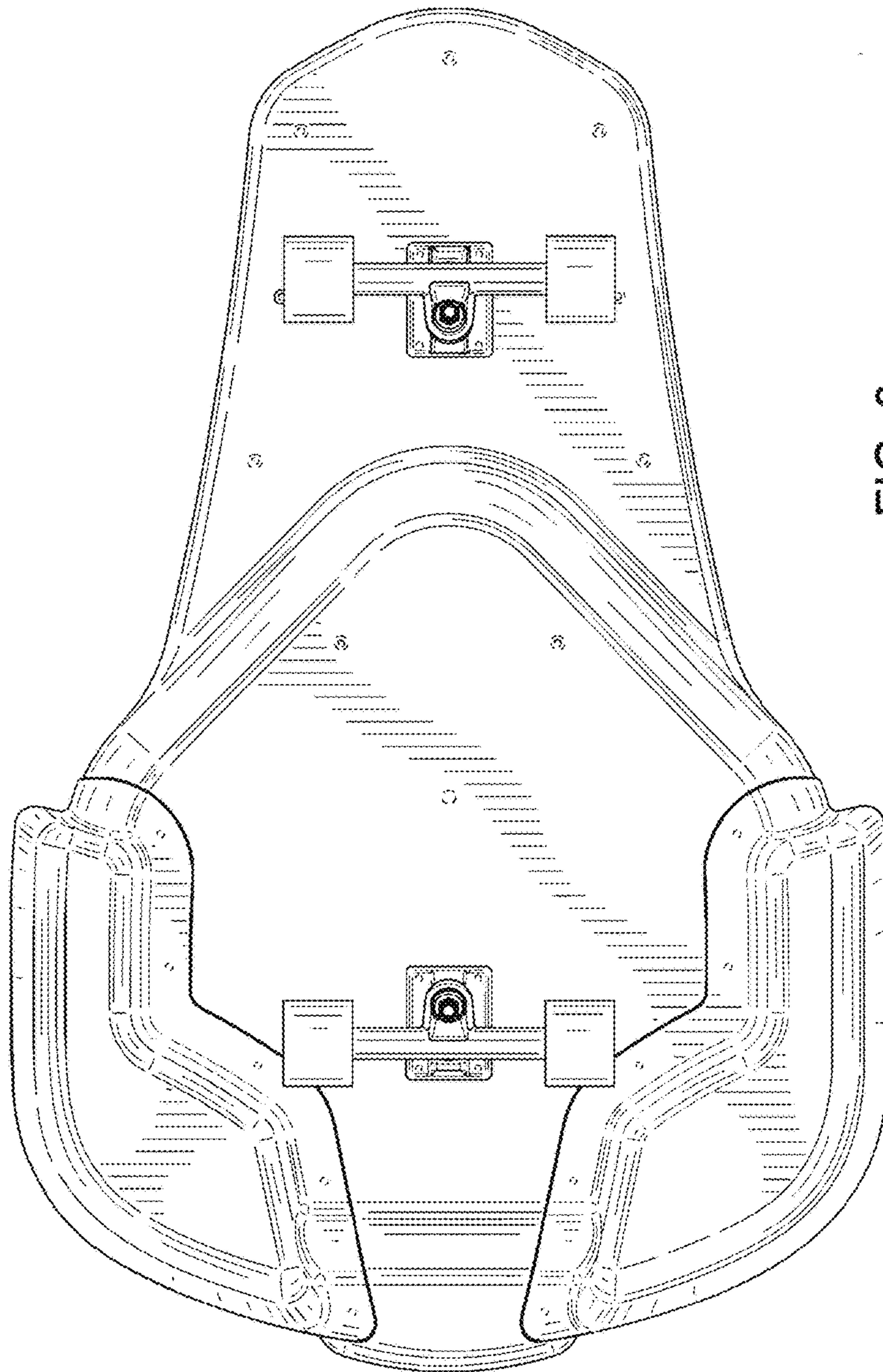


FIG. 3

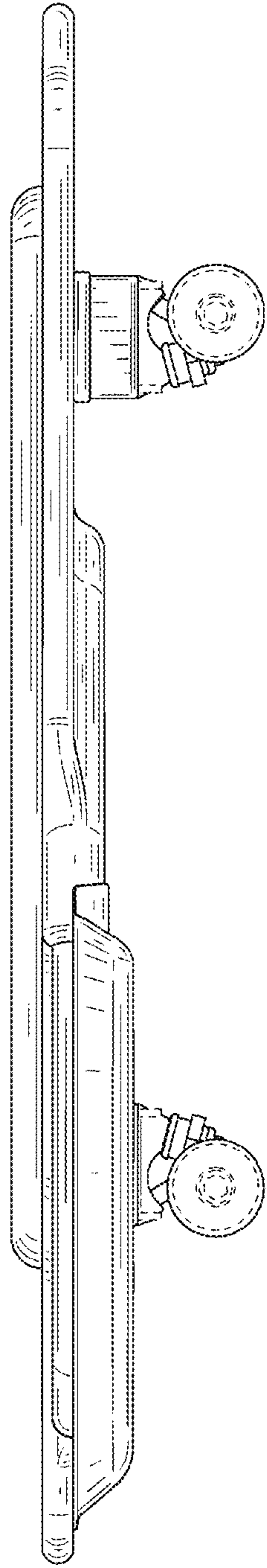


FIG. 4

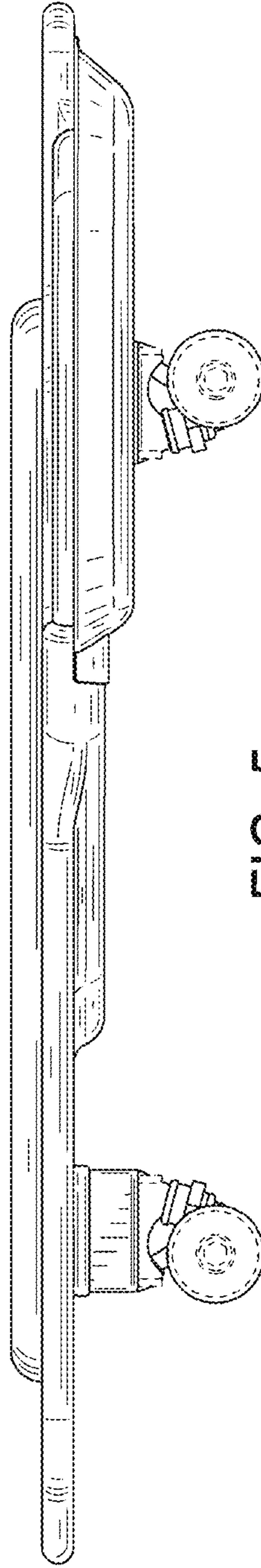


FIG. 5

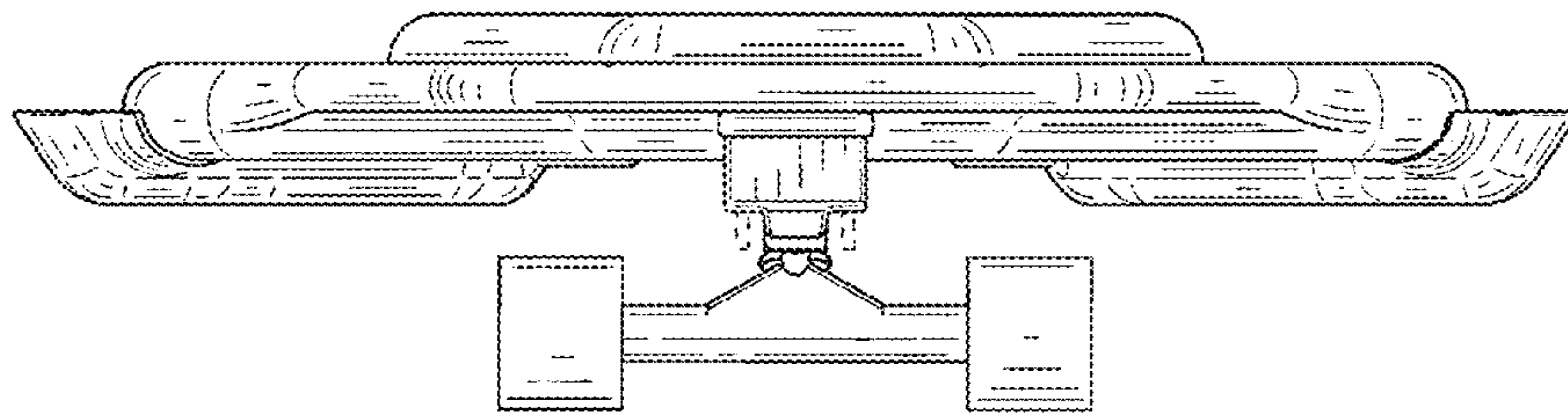


FIG. 6

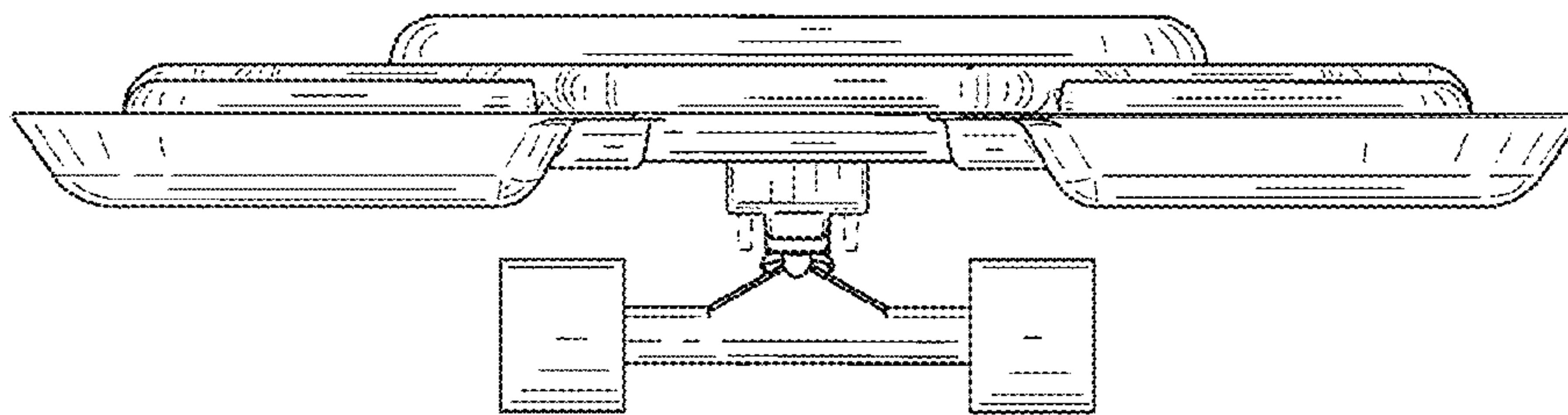


FIG. 7