

US00D818067S

(12) **United States Design Patent** (10) **Patent No.:** **US D818,067 S**  
**Toulon et al.** (45) **Date of Patent:** **\*\* May 15, 2018**

(54) **PUTTER HEAD**

(71) Applicant: **Callaway Golf Company**, Carlsbad, CA (US)

(72) Inventors: **Sean Toulon**, Vista, CA (US); **Augustin W. Rollinson**, Encinitas, CA (US)

(73) Assignee: **Callaway Golf Company**, Carlsbad, CA (US)

(\*\*) Term: **15 Years**

(21) Appl. No.: **29/600,170**

(22) Filed: **Apr. 10, 2017**

(51) **LOC (11) Cl.** ..... **21-02**

(52) **U.S. Cl.**  
USPC ..... **D21/759**

(58) **Field of Classification Search**  
USPC ..... D21/736-746, 759  
CPC ..... A63B 53/00; A63B 53/04; A63B 53/007;  
A63B 53/065; A63B 53/0487; A63B  
60/00; A63B 60/46  
See application file for complete search history.

(56) **References Cited**

**U.S. PATENT DOCUMENTS**

D293,126 S *	12/1987	Bizovi .....	D21/741
D297,445 S *	8/1988	Shearer .....	D21/743
D297,447 S *	8/1988	Shearer .....	D21/743
D313,451 S *	1/1991	Shearer .....	D21/743
D315,005 S *	2/1991	Solheim .....	D21/743
D322,648 S *	12/1991	Antonious .....	D21/742
D335,319 S *	5/1993	Shearer .....	D21/743
D380,245 S *	6/1997	Meyer .....	D21/743
D394,689 S *	5/1998	Sheets .....	D21/743
D402,721 S *	12/1998	Gurrola .....	D21/742
D426,600 S *	6/2000	Valentine .....	D21/736

D438,272 S *	2/2001	Moore .....	D21/736
D439,295 S *	3/2001	Sizemore, Jr. ....	D21/736
D445,865 S *	7/2001	Mills .....	D21/759
D459,423 S *	6/2002	Long .....	D21/744
D476,047 S *	6/2003	De La Cruz .....	D21/743
D531,241 S *	10/2006	Hueber .....	D21/742
D559,928 S *	1/2008	Cameron .....	D21/736
D565,677 S *	4/2008	Cameron .....	D21/736
D565,678 S *	4/2008	Cameron .....	D21/736
D578,586 S *	10/2008	Oldknow .....	D21/744
D641,057 S *	7/2011	Rollinson .....	D21/744
D641,440 S *	7/2011	Hettinger .....	D21/743
D784,468 S *	4/2017	Rollinson .....	D21/743
D792,537 S *	7/2017	Clarke .....	D21/744
D797,220 S *	9/2017	Serrano .....	D21/743
D797,221 S *	9/2017	Serrano .....	D21/743

\* cited by examiner

*Primary Examiner* — Mitchell I. Siegel

(74) *Attorney, Agent, or Firm* — Rebecca Hanovice; Michael A. Catania; Sonia Lari

(57) **CLAIM**

The ornamental design for a putter head, as shown and described.

**DESCRIPTION**

FIG. 1 is a rear perspective view of the putter head claimed herein;

FIG. 2 is a rear elevational view thereof;

FIG. 3 is a front elevational view thereof;

FIG. 4 is a left side elevational view thereof;

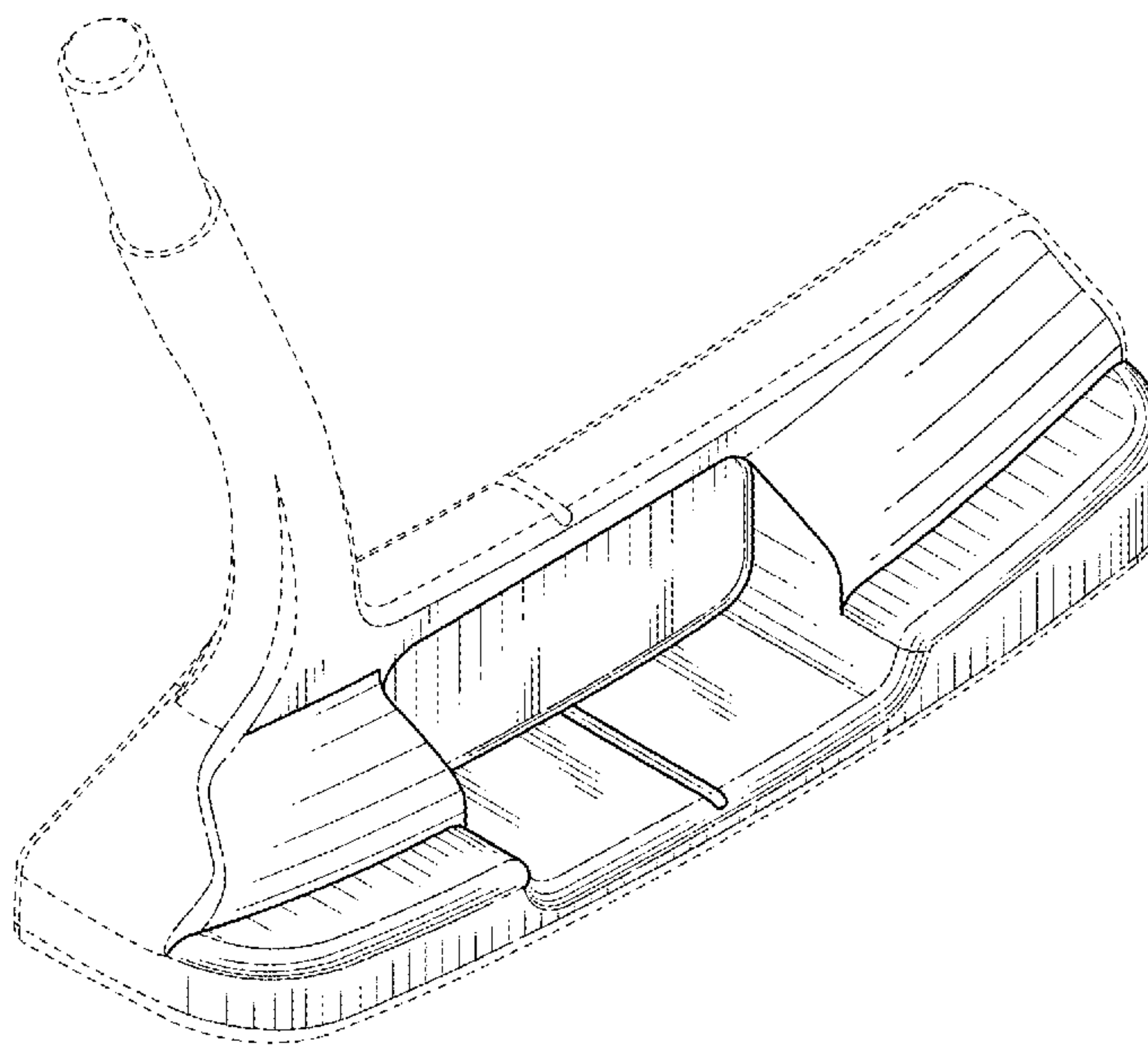
FIG. 5 is a right side elevational view thereof;

FIG. 6 is a top plan view thereof; and,

FIG. 7 is a bottom plan view thereof.

The broken lines are included for the purpose of illustration and form no part of the claimed design.

**1 Claim, 4 Drawing Sheets**



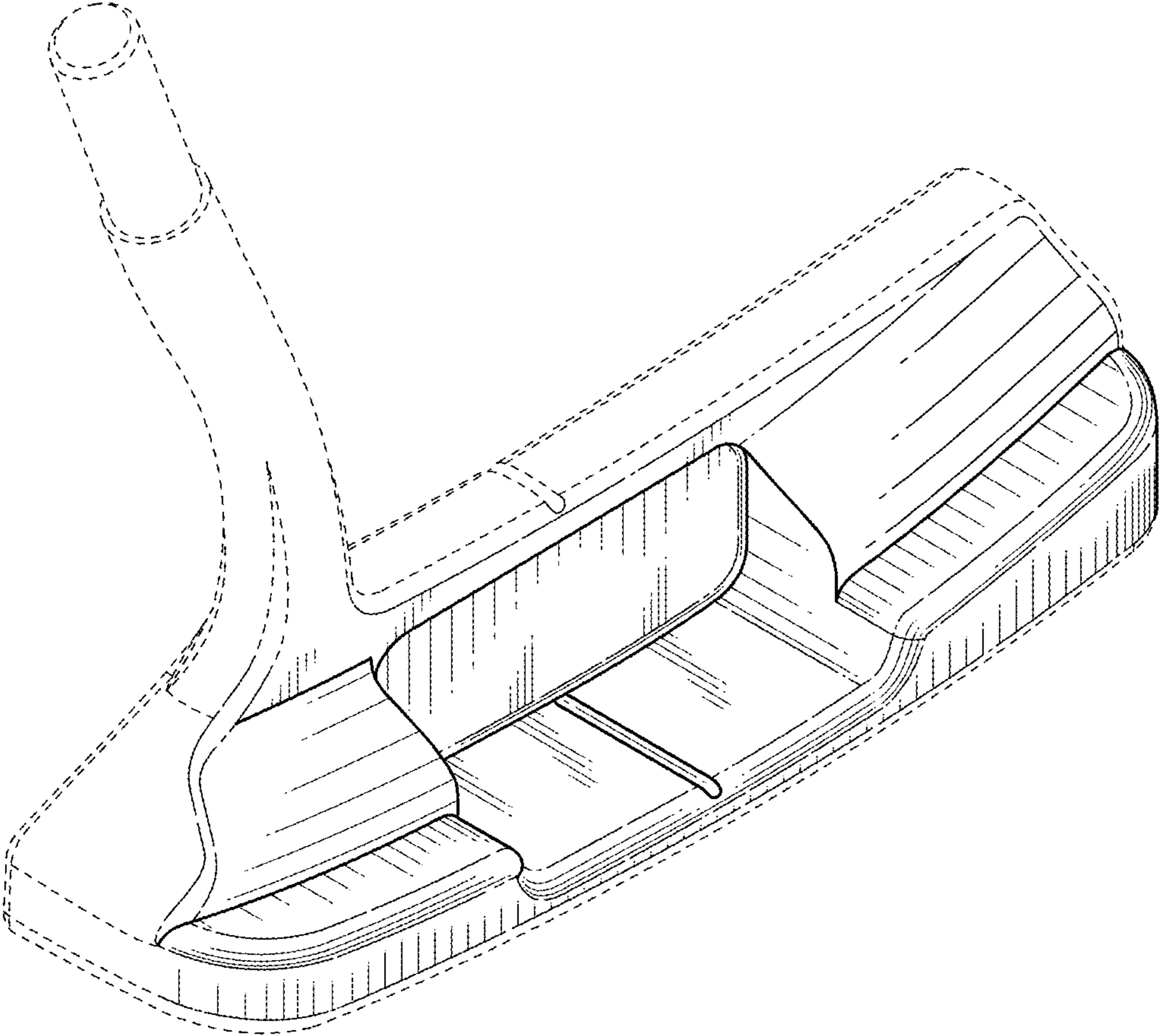


FIG. 1

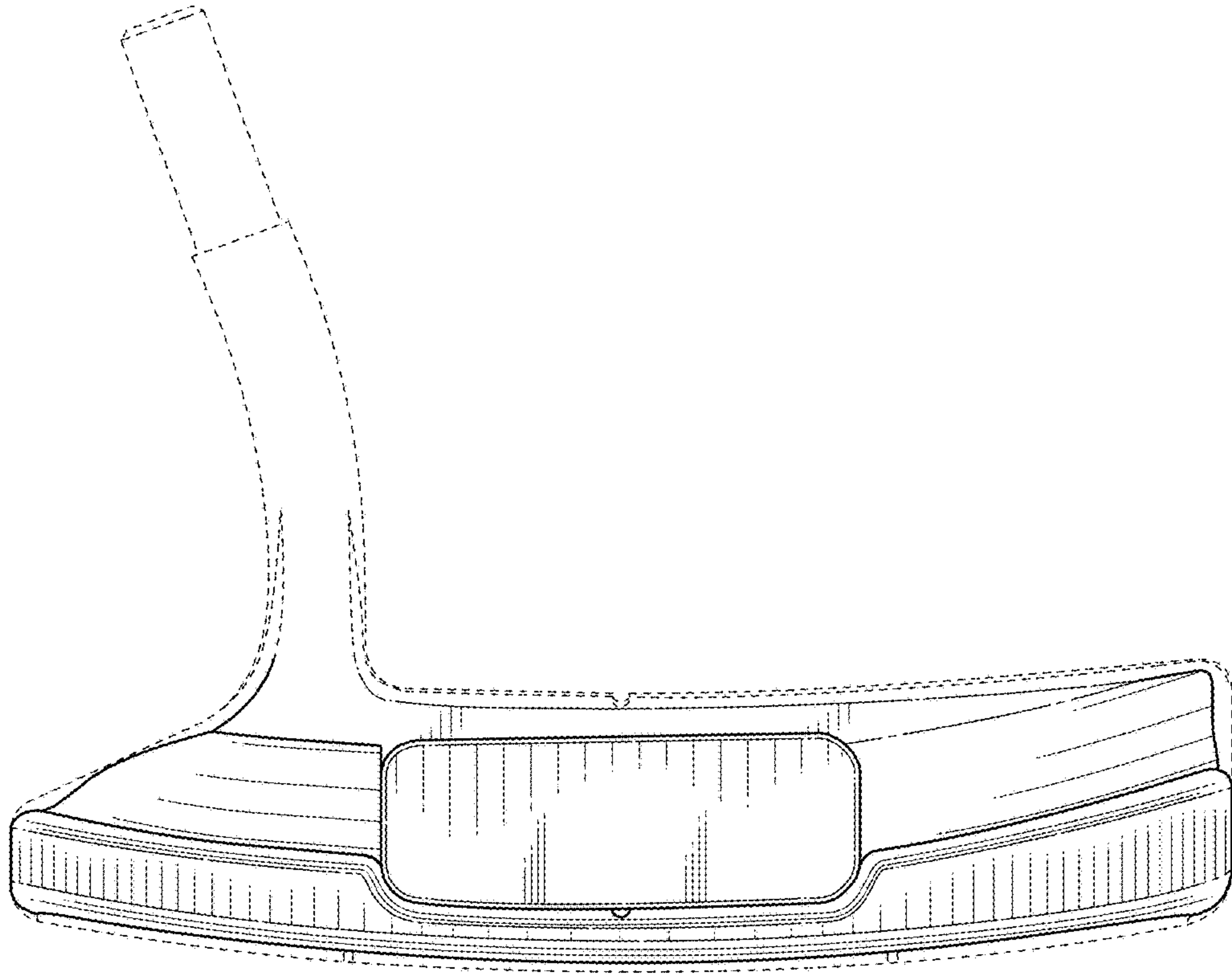


FIG. 2

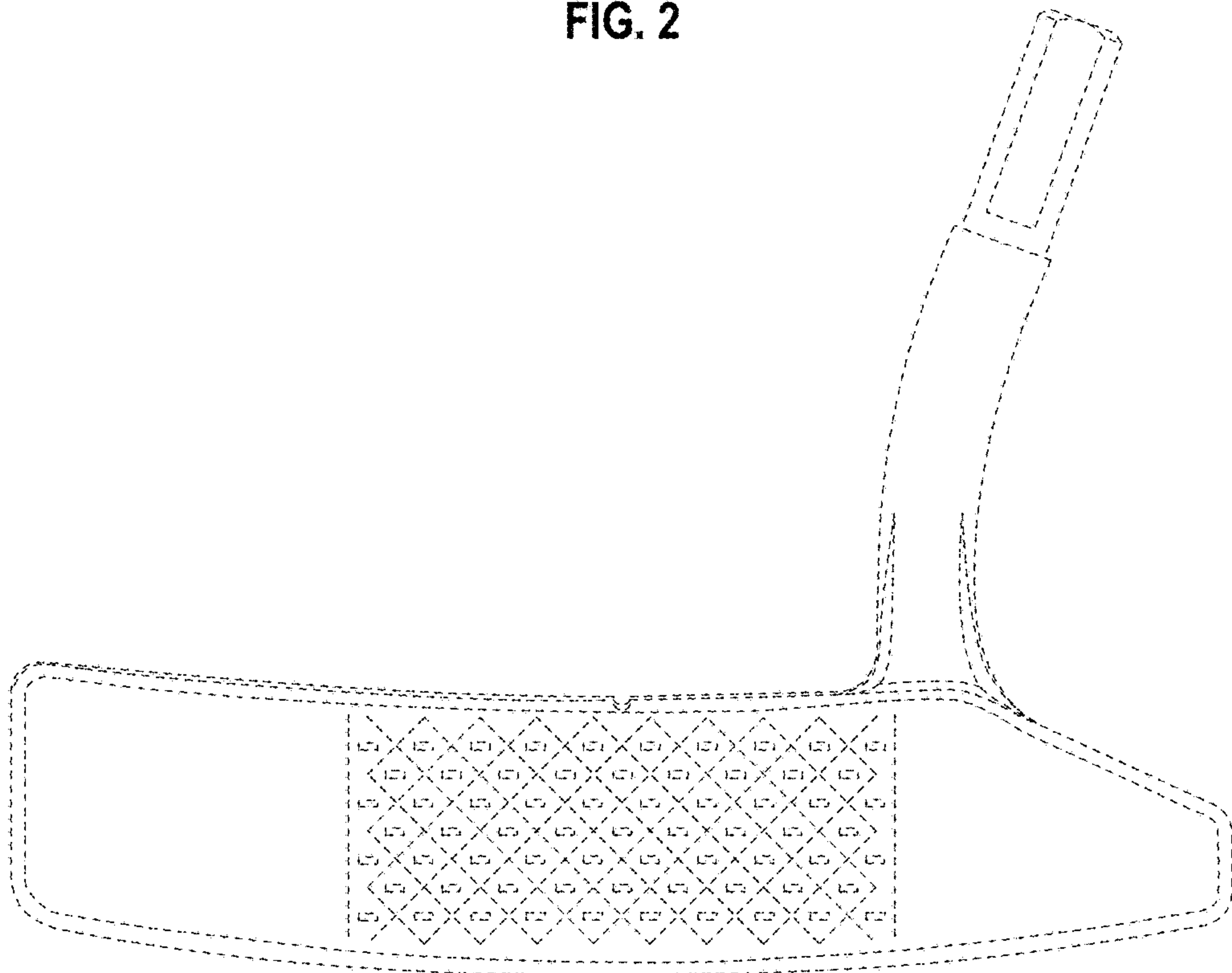


FIG. 3

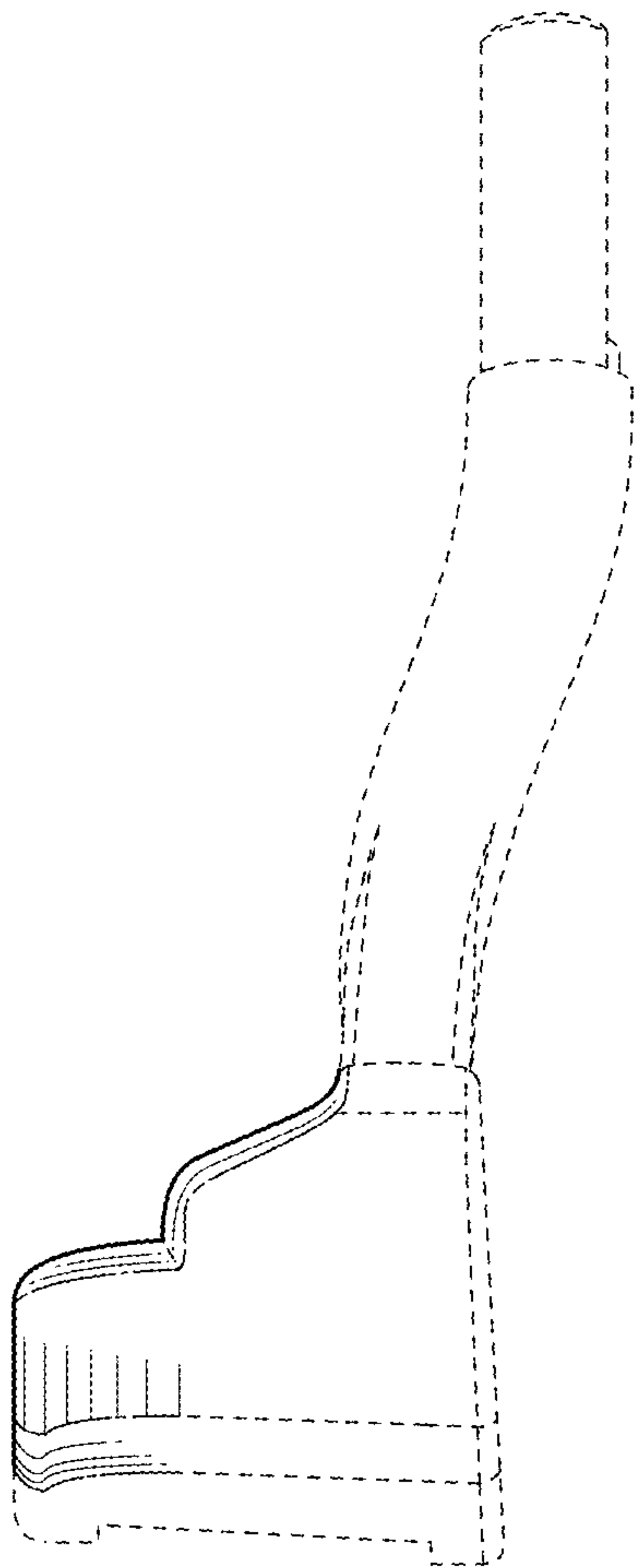


FIG. 4



FIG. 5



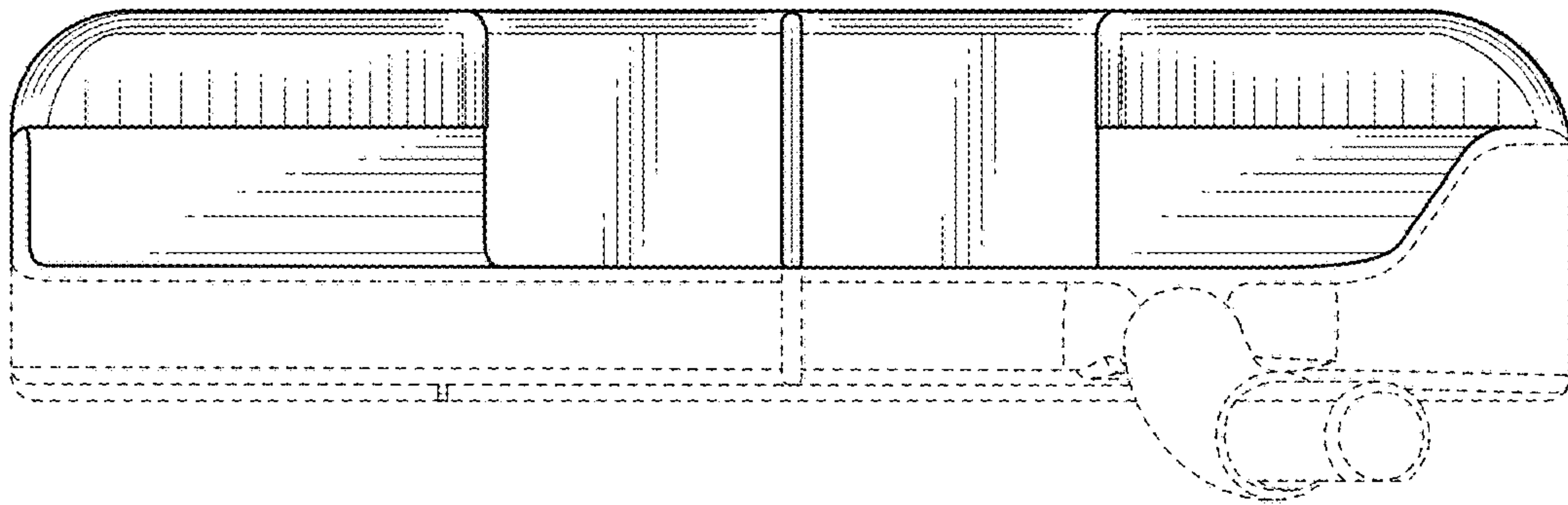


FIG. 6

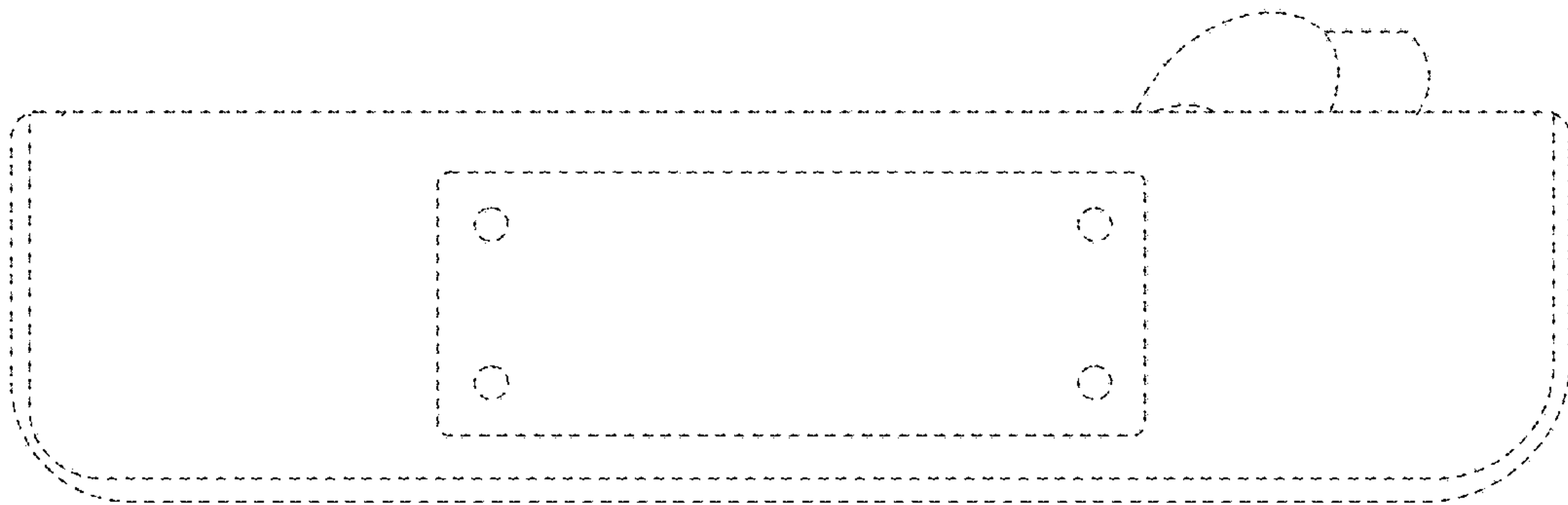


FIG. 7