



US00D818066S

(12) **United States Design Patent**
Bjork et al.

(10) **Patent No.:** **US D818,066 S**
(45) **Date of Patent:** **** May 15, 2018**

- (54) **EXTENDIBLE LACROSSE STICK**
- (71) Applicants: **Millie Kay Bjork**, Greenwich, CT (US); **Lauren Bennet Frankmore**, Denver, CO (US)
- (72) Inventors: **Millie Kay Bjork**, Greenwich, CT (US); **Lauren Bennet Frankmore**, Denver, CO (US)
- (**) Term: **15 Years**
- (21) Appl. No.: **29/588,761**
- (22) Filed: **Dec. 22, 2016**
- (51) **LOC (11) Cl.** **21-02**
- (52) **U.S. Cl.**
USPC **D21/757**
- (58) **Field of Classification Search**
USPC D21/722, 724, 753, 756-757
CPC A63B 59/20; A63B 65/122; A63B 65/125; A63B 65/127; A63B 60/50; A63B 60/51; A63B 60/52; A63B 60/00; A63B 60/46
See application file for complete search history.

- (56) **References Cited**
U.S. PATENT DOCUMENTS
- 4,641,838 A * 2/1987 Gabrielidis A63B 49/08 473/552
- 5,169,145 A * 12/1992 Jang A63B 49/08 473/296
- 7,108,616 B2 * 9/2006 Morrow A63B 60/10 473/513
- 7,264,563 B2 * 9/2007 Dahm A63B 53/14 473/549
- 7,563,173 B2 * 7/2009 Chol A63B 53/10 403/377

- 7,874,933 B2 * 1/2011 Chol A63B 53/10 403/377
- 7,976,402 B2 * 7/2011 Chol A63B 53/10 403/377
- 8,425,344 B2 * 4/2013 Evans A63B 53/10 473/288
- 8,834,288 B2 * 9/2014 Aguinaldo A63B 53/10 403/109.1
- 9,821,204 B2 * 11/2017 Wolfe A63B 59/20
- 2006/0111206 A1 * 5/2006 Adams A63B 59/02 473/513
- 2007/0155545 A1 * 7/2007 Owen A63B 60/10 473/513
- 2007/0259742 A1 11/2007 McCauley
- 2013/0190110 A1 7/2013 Adams

* cited by examiner

Primary Examiner — Mitchell I. Siegel
(74) *Attorney, Agent, or Firm* — Reilly Intellectual Property Law Firm

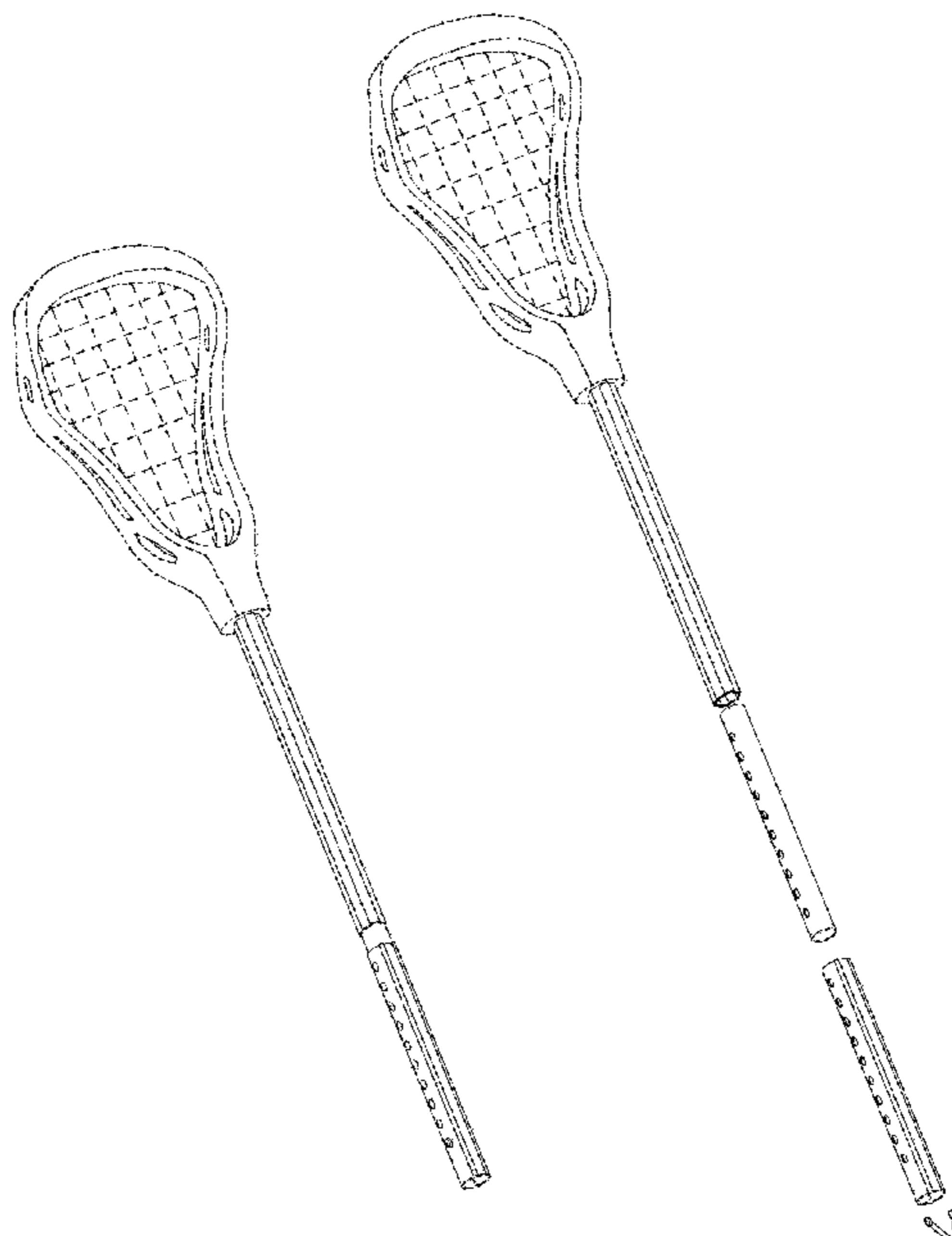
(57) **CLAIM**

The ornamental design for an extendible lacrosse stick, as shown and described.

DESCRIPTION

FIG. 1 is a perspective view showing our new design; FIG. 2 is an exploded perspective view of FIG. 1; FIG. 3 is a front view of FIG. 1; FIG. 4 is a side view of FIG. 1; FIG. 5 is a top view of FIG. 1; FIG. 6 is a rear view of FIG. 1; FIG. 7 is a bottom view of FIG. 1; and, FIG. 8 is an opposite side view of FIG. 4. The broken lines included in FIGS. 1-8 are for the purpose of illustrating environmental structure and form no part of the claimed design.

1 Claim, 3 Drawing Sheets



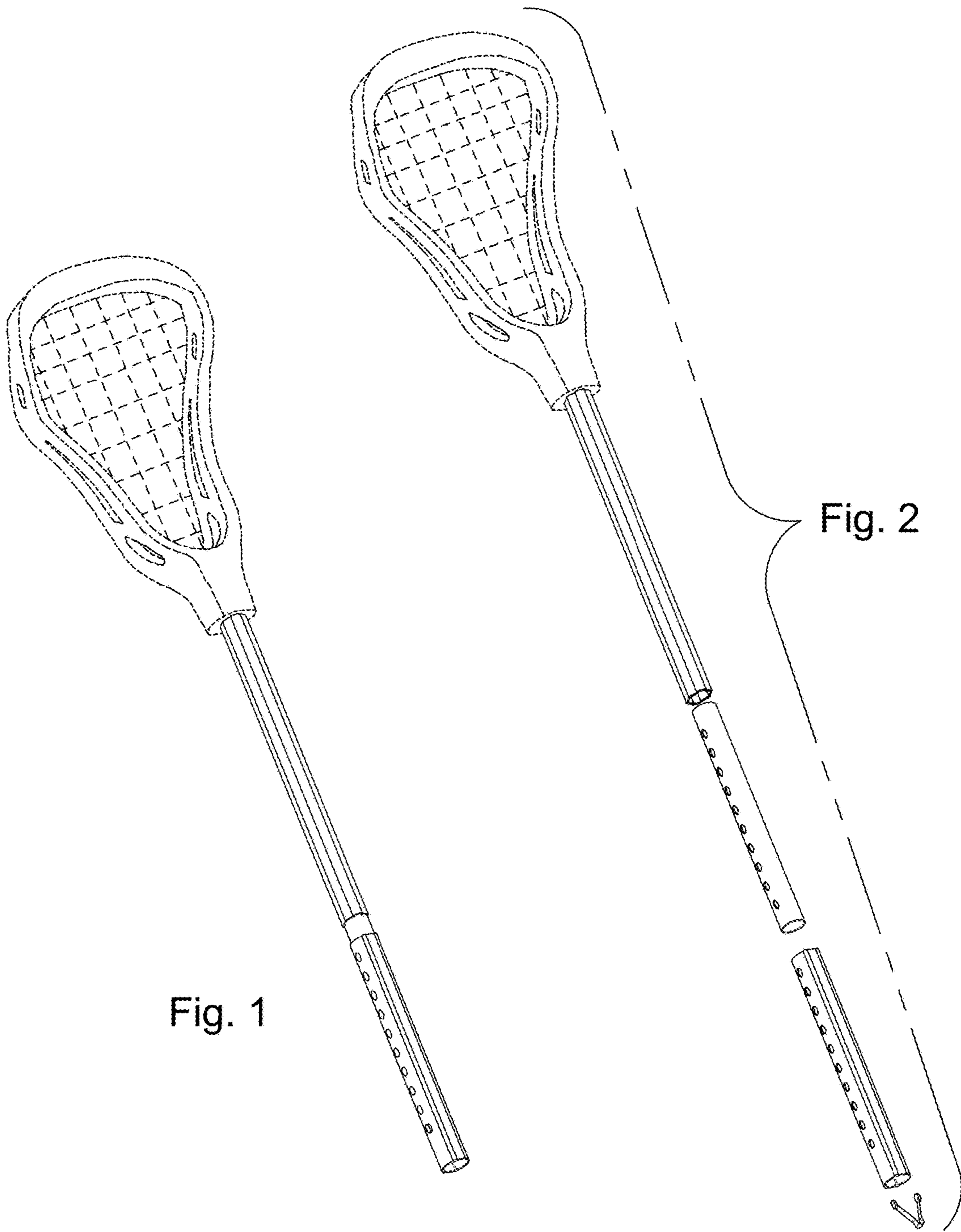


Fig. 1

Fig. 2

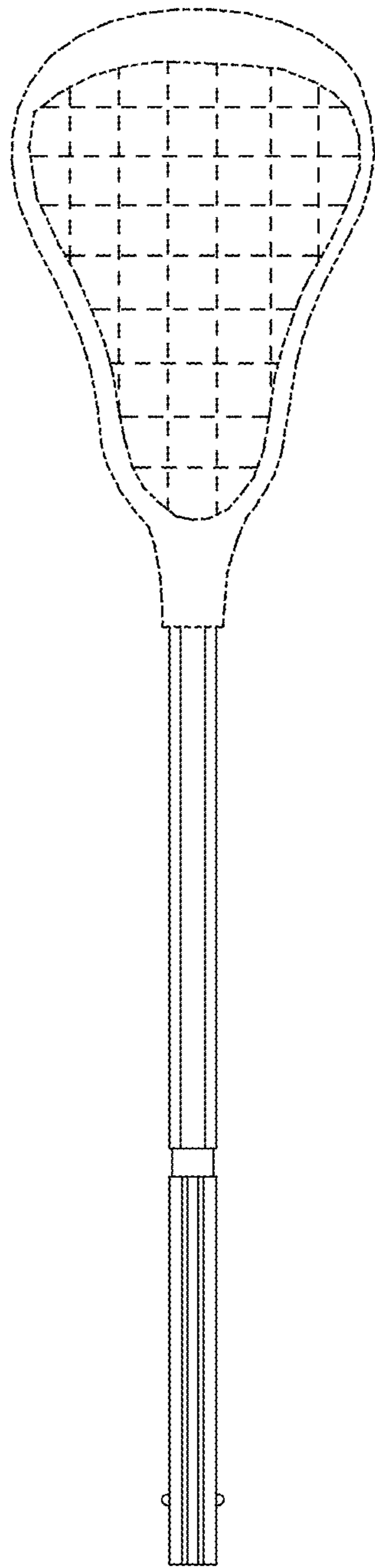


Fig. 3

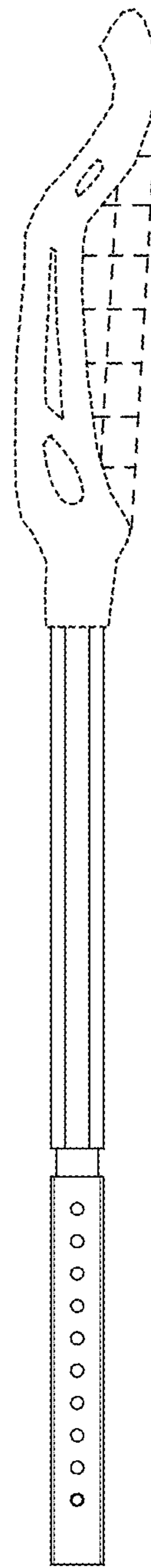


Fig. 4

Fig. 5

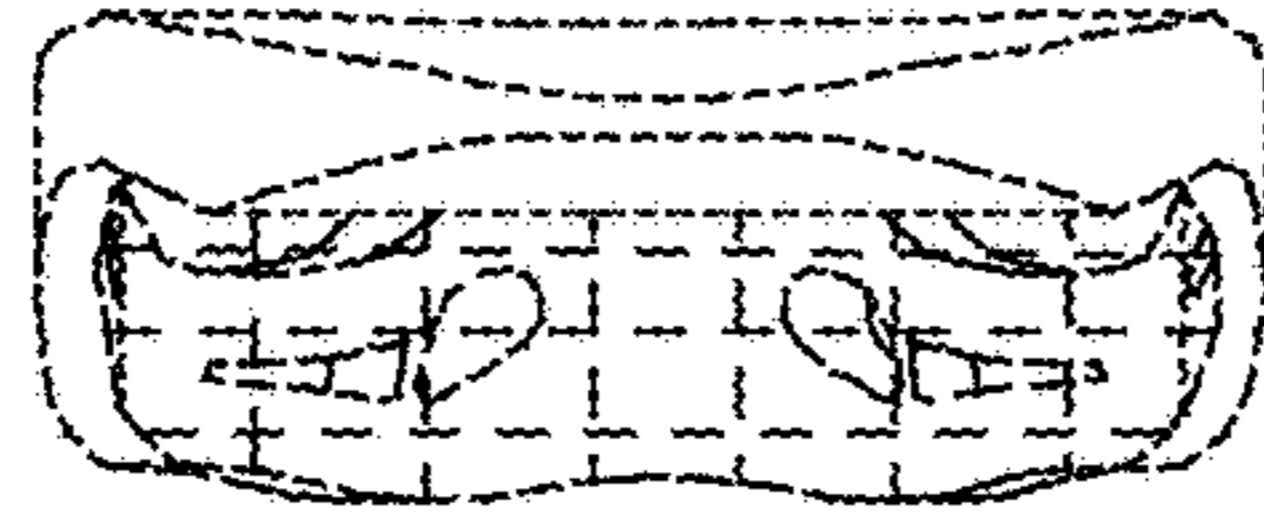


Fig. 6

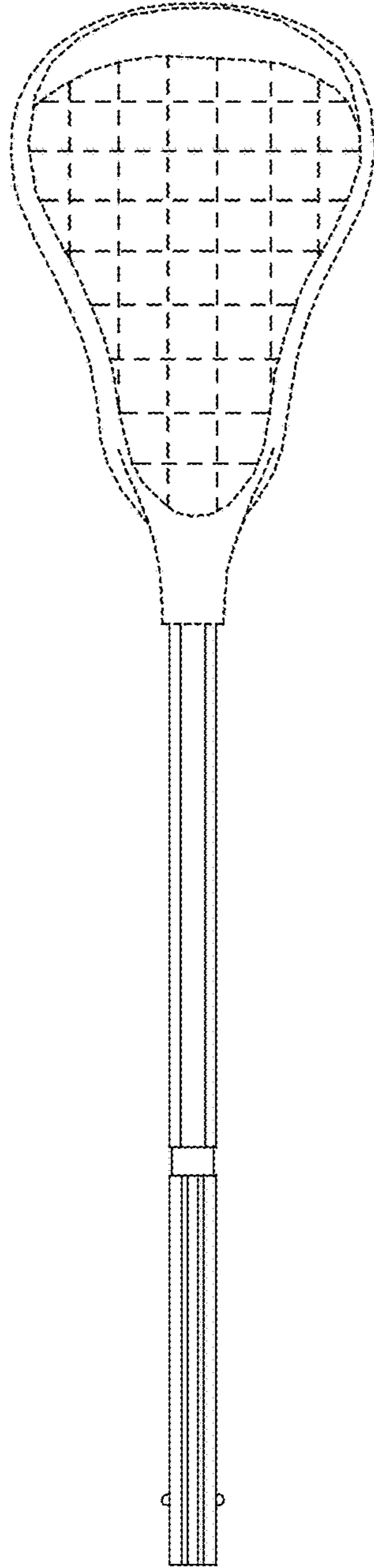


Fig. 7

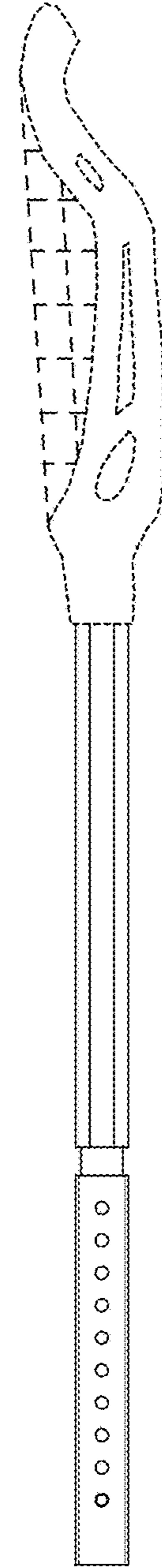
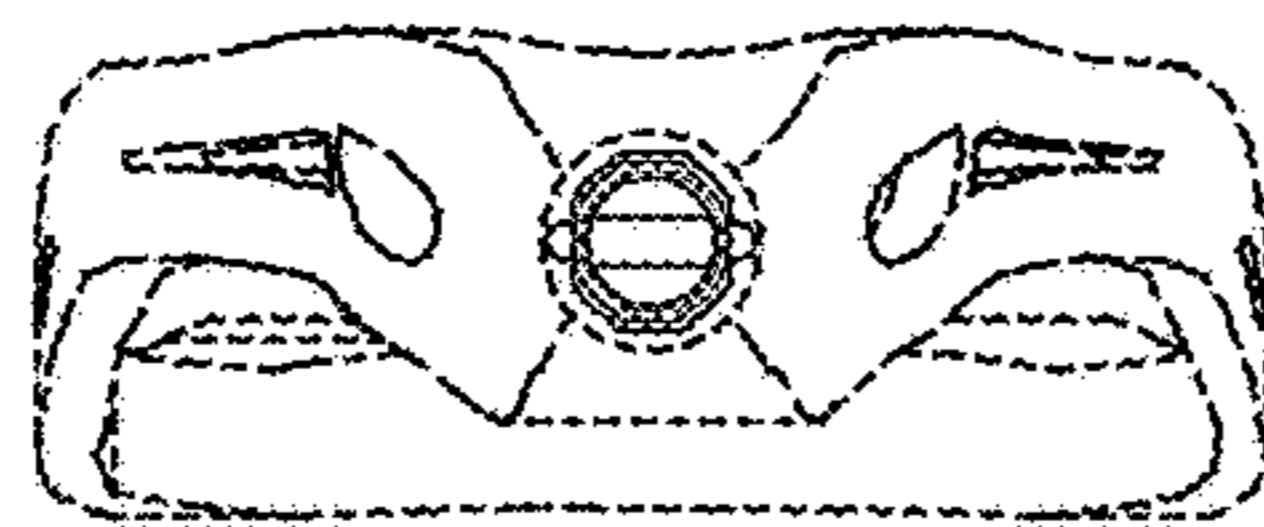


Fig. 8