



US00D818062S

(12) **United States Design Patent** (10) **Patent No.:** **US D818,062 S**
Lien (45) **Date of Patent:** **** May 15, 2018**

(54) **CORE BALL**

(71) Applicant: **USA Sports, Inc.**, Houston, TX (US)

(72) Inventor: **Louis Lien**, Bellaire, TX (US)

(73) Assignee: **USA Sports, Inc.**, Houston, TX (US)

(**) Term: **15 Years**

(21) Appl. No.: **29/551,241**

(22) Filed: **Jan. 12, 2016**

(51) **LOC (11) Cl.** **21-02**

(52) **U.S. Cl.**
USPC **D21/680**

(58) **Field of Classification Search**
USPC D21/398, 662, 676, 678, 680–685, 692,
D21/694, 707, 713–14, 722, 913
CPC ... A63B 21/00; A63B 21/002; A63B 21/0023;
A63B 23/00; A63B 24/00; A63B 26/00;
A63B 37/0001–37/0002; A63B 37/0004;
A63B 37/0006–37/0008; A63B 37/0012;
A63B 37/0034; A63B 37/0041; A63B
37/0044; A63B 37/007; A63B 69/20
See application file for complete search history.

(56) **References Cited**

U.S. PATENT DOCUMENTS

D363,752 S *	10/1995	Shumber	D21/678
D449,352 S *	10/2001	Fisher	D21/398
D449,353 S *	10/2001	Fisher	D21/398
D507,026 S *	7/2005	Chen	D21/671
D508,092 S *	8/2005	Williams-Nicholas	D21/405
D545,509 S *	6/2007	Wang	D30/160
D552,696 S *	10/2007	Hallar	D21/662
7,326,122 B2 *	2/2008	Park	A63B 21/06 473/256
D568,950 S *	5/2008	Yewer, Jr.	D21/662
D624,251 S *	9/2010	Rutherford	D30/160

D651,671 S *	1/2012	Ross	D21/662
D660,384 S *	5/2012	Saber	D21/707
D687,606 S *	8/2013	Burger	D30/160
D698,875 S *	2/2014	Childs	D21/662
D707,303 S *	6/2014	Saber	D21/398
D727,439 S *	4/2015	Dike	D21/662
D733,814 S *	7/2015	Gustafson	D21/662
D746,002 S *	12/2015	Crane	D30/160
D747,423 S *	1/2016	Gustafson	D21/662
2007/0072712 A1 *	3/2007	Chernick	A63B 37/08 473/594
2010/0069206 A1 *	3/2010	Viselman	A63B 21/072 482/106
2011/0263394 A1 *	10/2011	Viselman	A63B 21/00061 482/93
2012/0184414 A1 *	7/2012	Osborn	A63B 21/0085 482/93

* cited by examiner

Primary Examiner — Caron D Veynar

Assistant Examiner — Mehri F Bajoul

(57) **CLAIM**

The ornamental design for a core ball, as shown and described.

DESCRIPTION

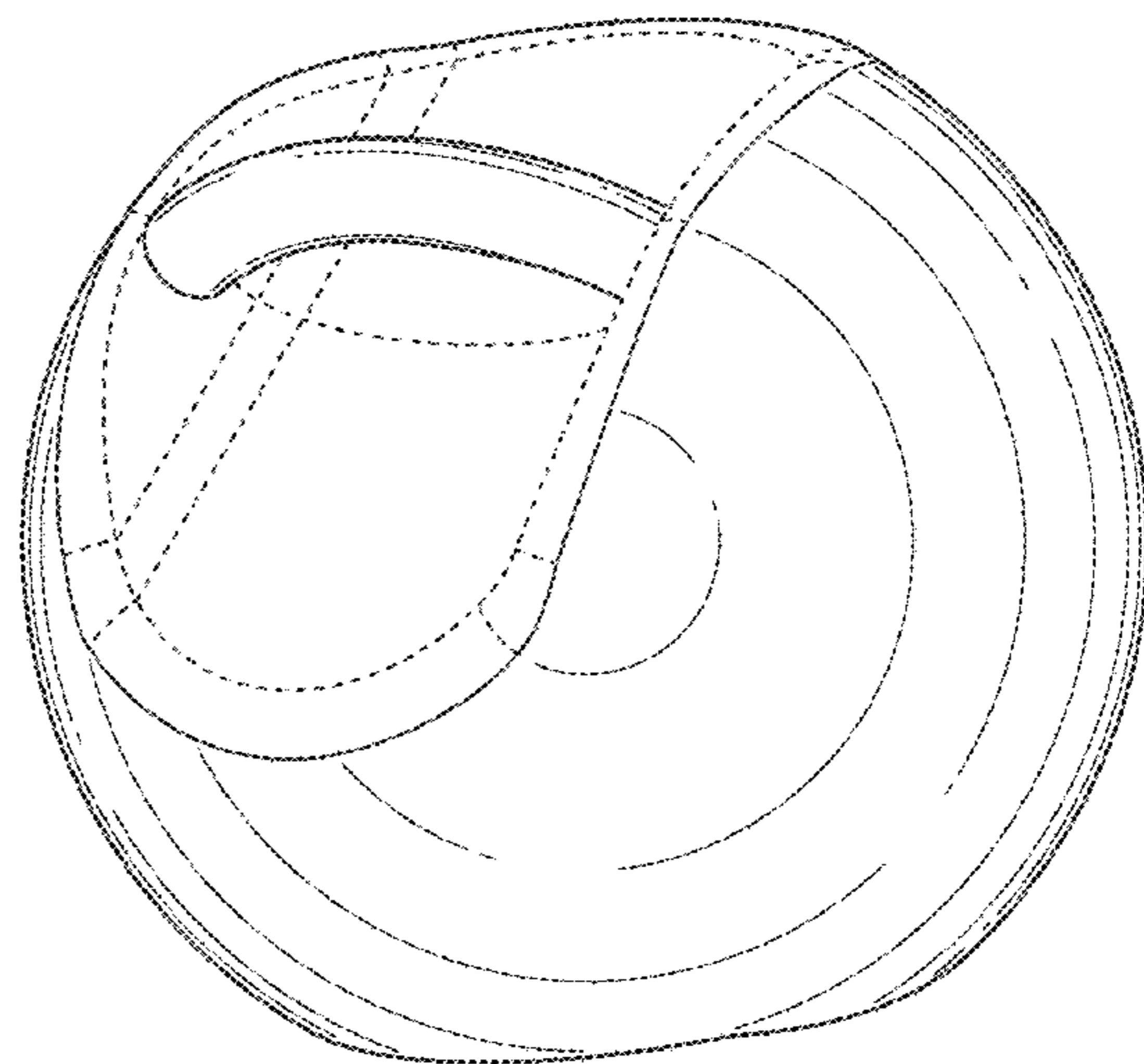
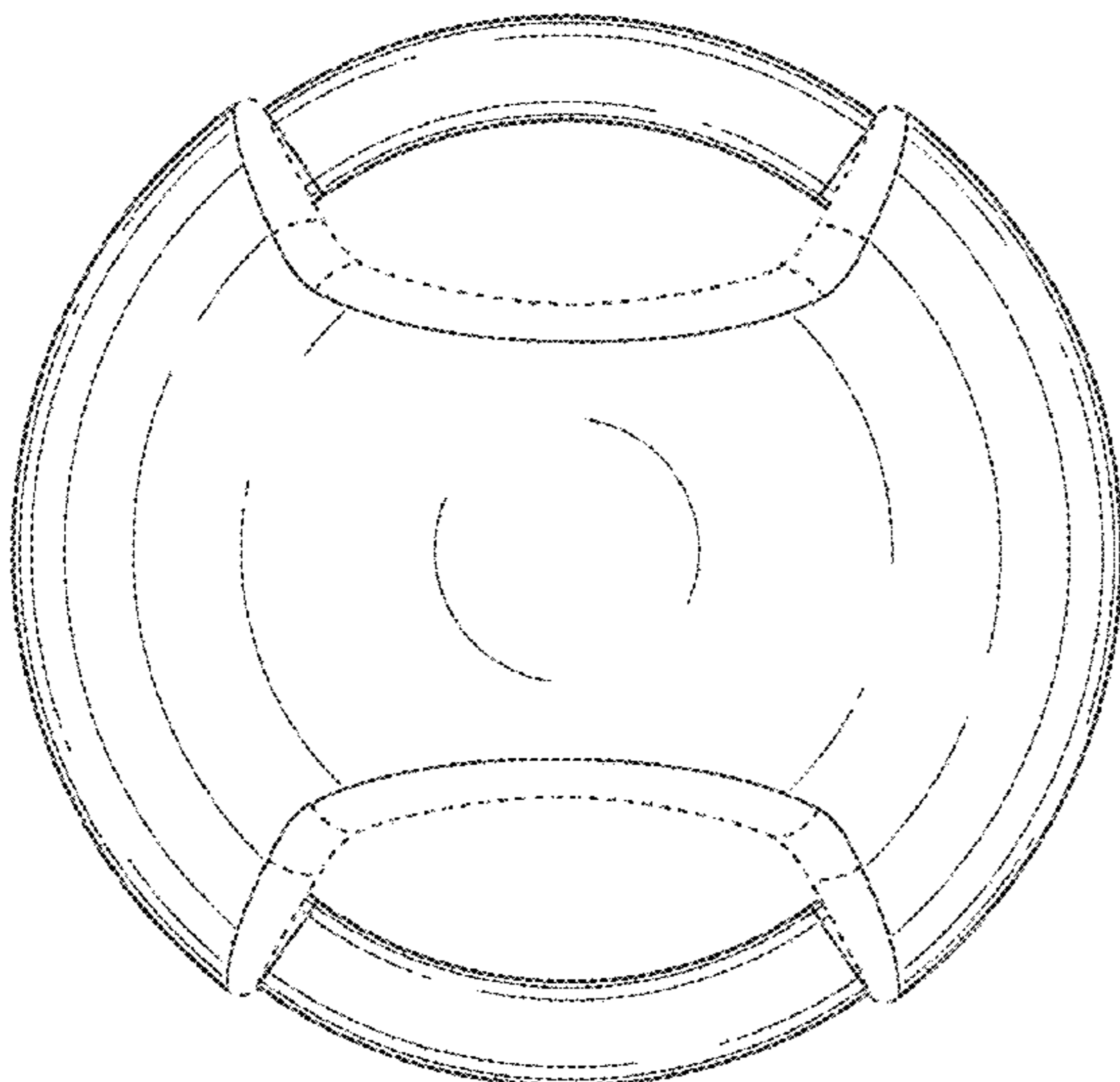
FIG. 1 is a right side view of the core ball according to the design of the invention. The left side view is exactly the same as the top view.

FIG. 2 is a front view of the design according to the invention. The rear view of the design is exactly the same as the front view.

FIG. 3 is a top view of the design according to the invention. The bottom view is exactly the same as the top view; and, FIG. 4 is a perspective view of the design according to the invention.

The broken lines in the drawings are to depict portions of the design and form no part of the claim.

1 Claim, 4 Drawing Sheets



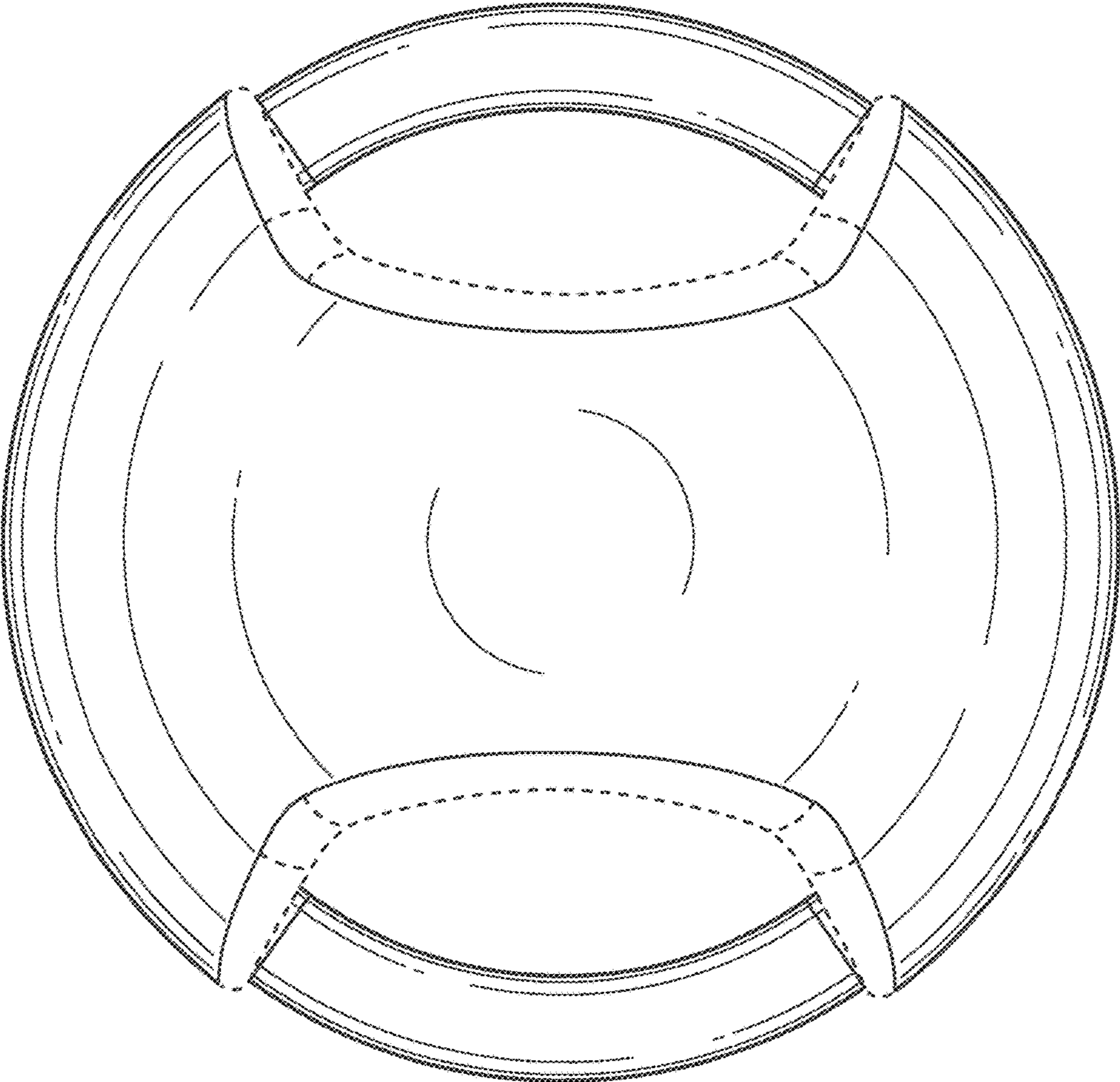


FIG. 1

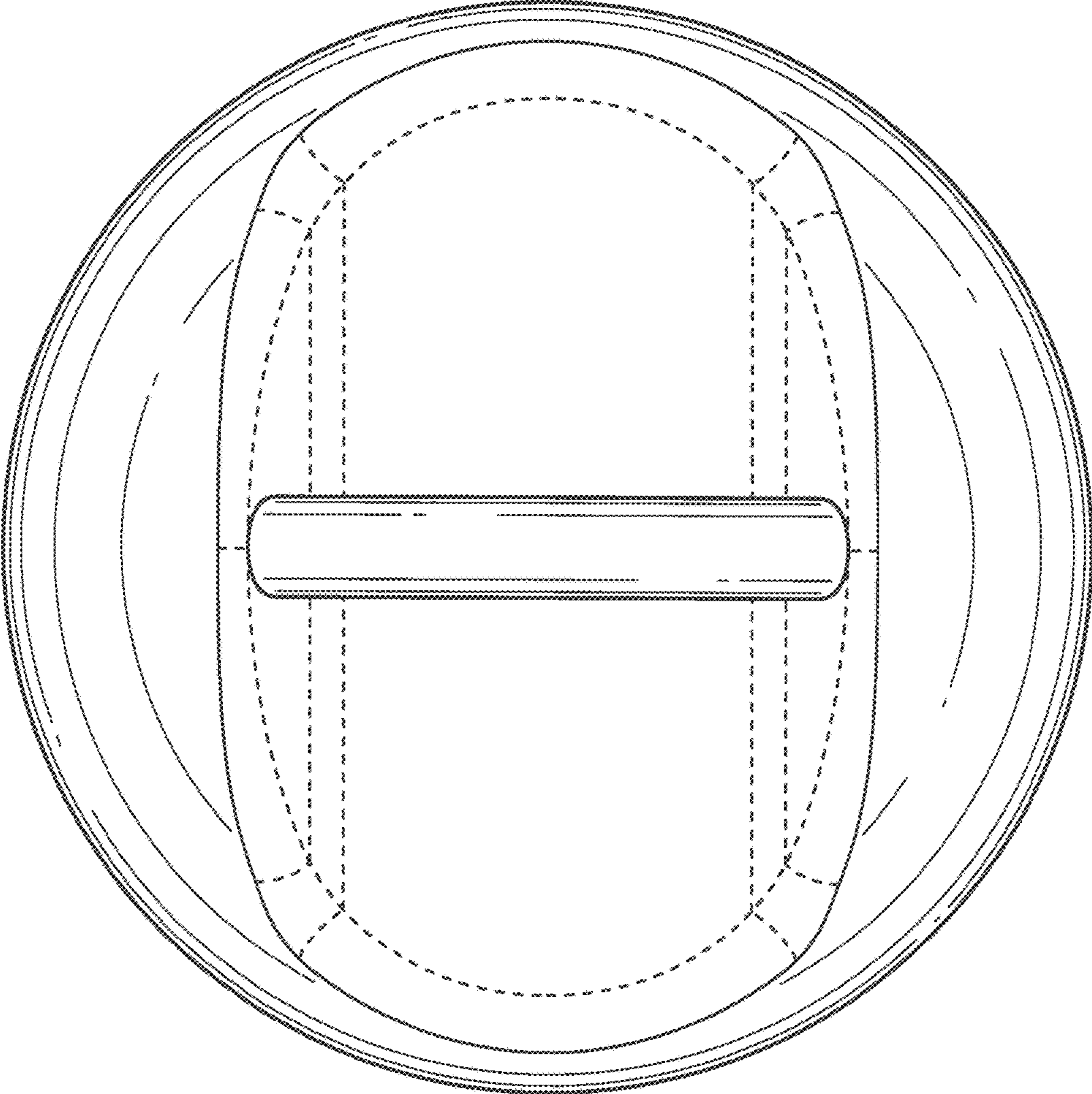


FIG. 2

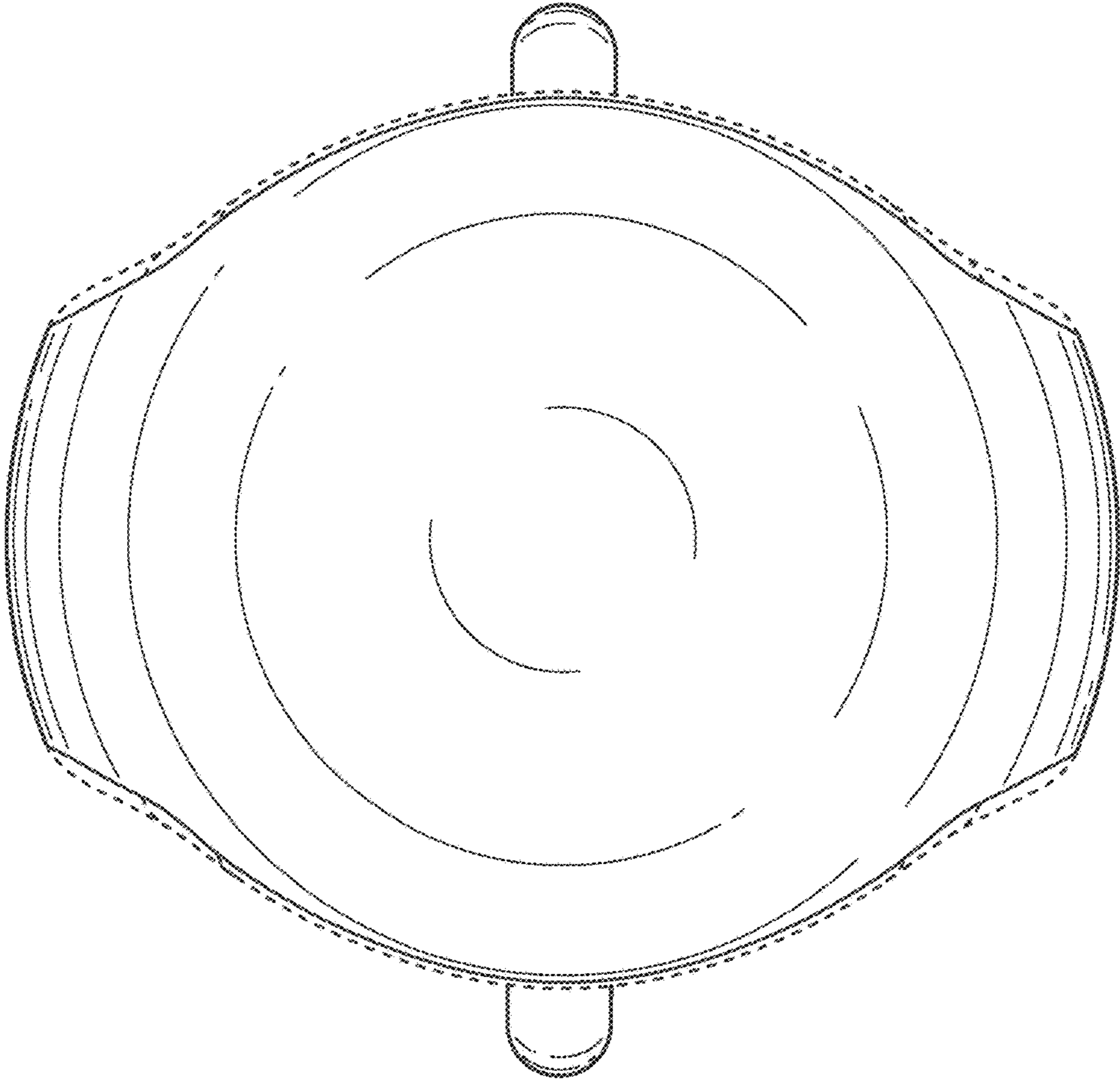


FIG. 3

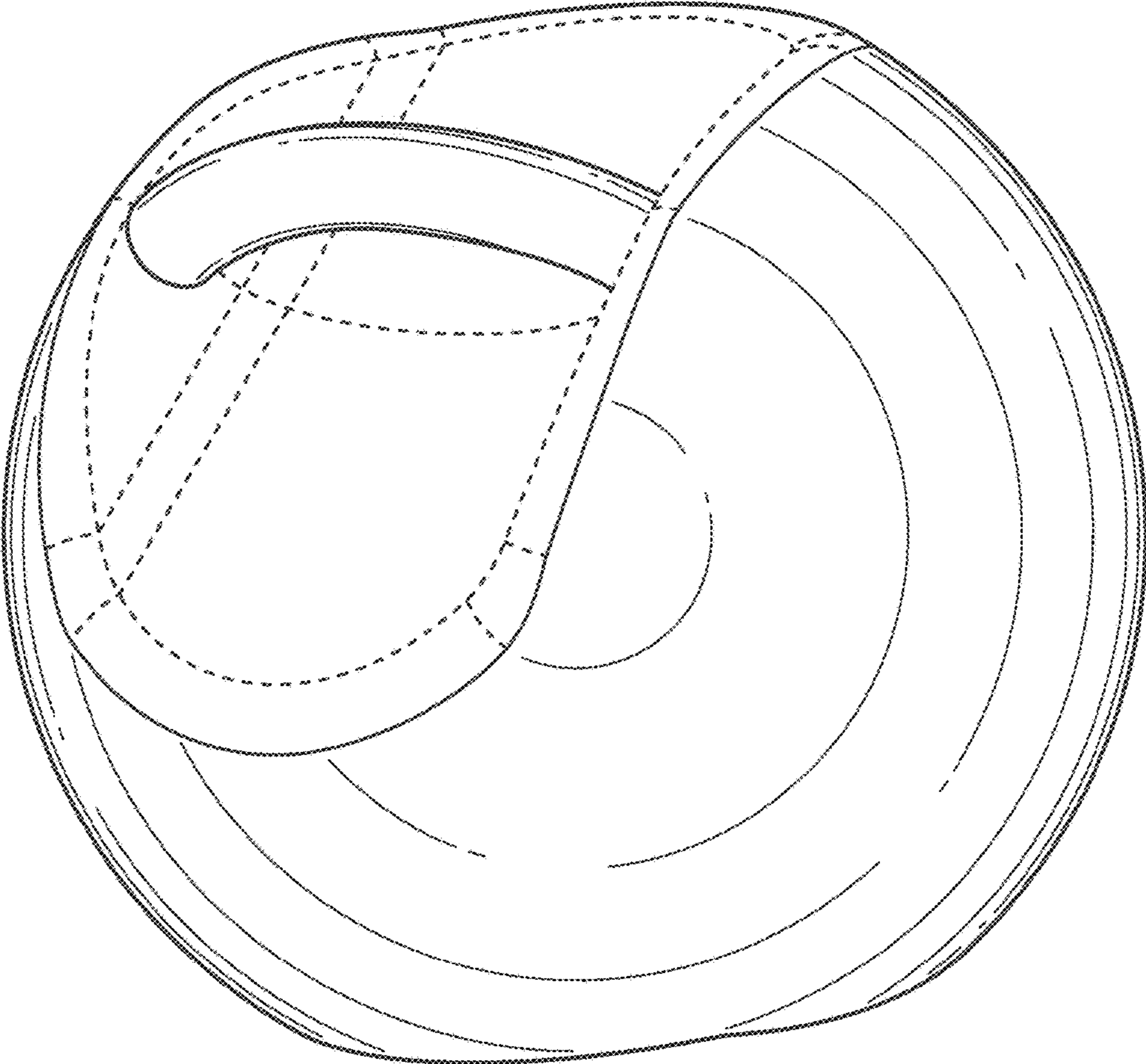


FIG. 4