



US00D818061S

(12) **United States Design Patent** (10) **Patent No.:** **US D818,061 S**
Barton et al. (45) **Date of Patent:** **** May 15, 2018**

(54) **WINGED PULL-UP BAR**
(71) Applicant: **Barton Innovations, LLC**,
Waynesfield, OH (US)
(72) Inventors: **Thomas Jeffrey Barton**, Waynesfield,
OH (US); **David Joseph Barton**,
Waynesfield, OH (US); **Sara Anne**
Barton, Waynesfield, OH (US)
(73) Assignee: **Barton Innovations, LLC**,
Waynesfield, OH (US)
(**) Term: **15 Years**
(21) Appl. No.: **29/571,470**
(22) Filed: **Jul. 19, 2016**
(51) **LOC (11) Cl.** **21-02**
(52) **U.S. Cl.**
USPC **D21/679**
(58) **Field of Classification Search**
USPC D21/673, 679, 682, 694, 662, 684, 686,
D21/691; 482/139, 93, 98, 38, 39, 108,
482/40, 148, 904; D32/35, 50; D8/45,
D8/316
CPC ... A63B 21/4035; A63B 1/00; A63B 21/4017;
A63B 23/1218; A63B 21/072; A63B
21/0724; A63B 23/12; A63B 23/1209
See application file for complete search history.

(56) **References Cited**
U.S. PATENT DOCUMENTS
D262,730 S * 1/1982 Lambert, Jr. D21/694
D285,812 S * 9/1986 Green, Jr. 473/590
D290,030 S * 5/1987 Darnell D21/437
D305,256 S * 12/1989 Pearson D21/682
D317,032 S * 5/1991 Eckler D21/694
5,076,578 A * 12/1991 Askonen A63B 23/12
482/139
5,761,767 A 6/1998 Barton
D396,510 S * 7/1998 Marney D21/684

6,220,988 B1 * 4/2001 Williams A63B 23/12
482/108
D549,414 S * 8/2007 Van Landingham, Jr. D32/50
D565,133 S * 3/2008 Mollet D21/694
D577,276 S * 9/2008 Matijevic D8/316
7,993,245 B1 * 8/2011 Dorfman A63B 21/00047
482/148

(Continued)

OTHER PUBLICATIONS

Mag Grip Products Webpage, MAG Maximum Advantage Grip Website, Web page <<http://maxagrip.com/products.html>>, 2 pages, dated Oct. 17, 2013, retrieved from Internet Archive Wayback Machine <<https://web.archive.org/web/20131017005713/http://maxagrip.com/products.html>> on Sep. 13, 2016.

(Continued)

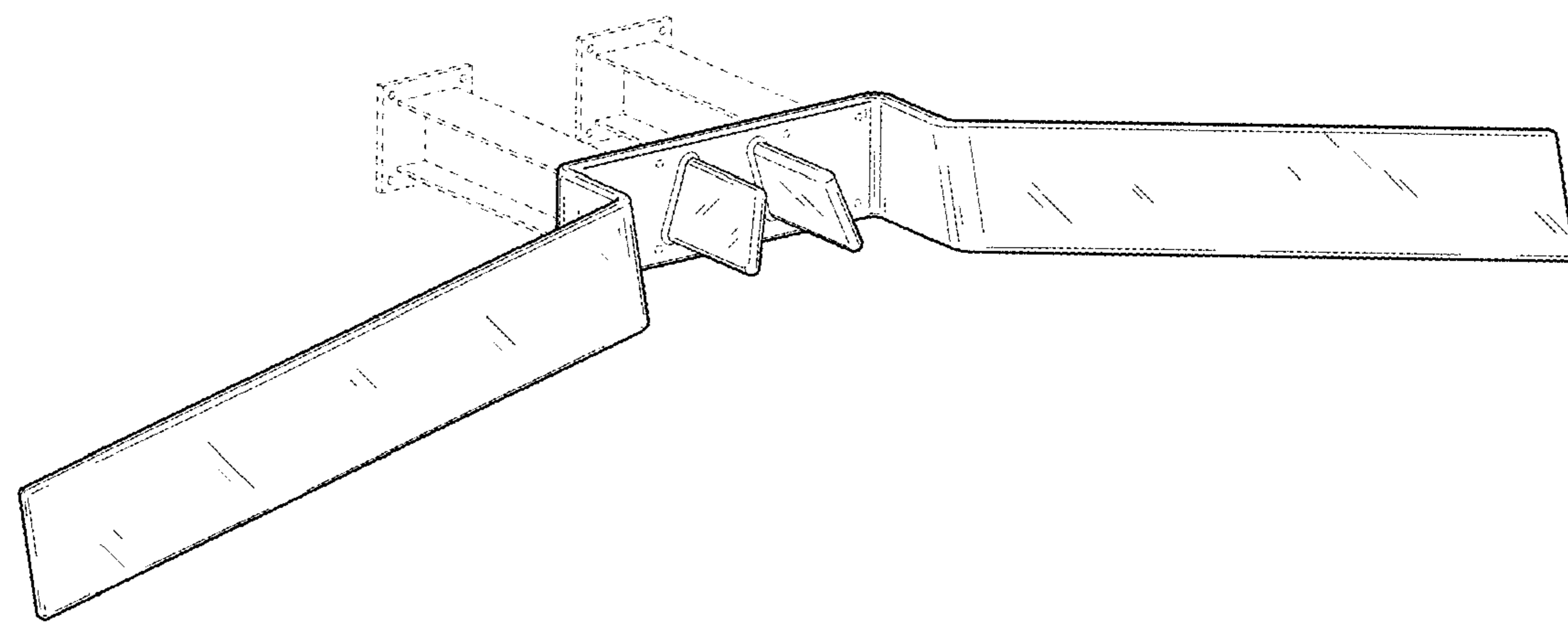
Primary Examiner — Robert M. Spear
Assistant Examiner — Ryan Harvey
(74) *Attorney, Agent, or Firm* — The Law Office of Patrick F. O'Reilly III, LLC

(57) **CLAIM**
The ornamental design for a winged pull-up bar, as shown and described.

DESCRIPTION

FIG. 1 is a top-front perspective view of a winged pull-up bar showing our new design;
FIG. 2 is a front elevational view thereof;
FIG. 3 is a top plan view thereof;
FIG. 4 is a rear elevational view thereof;
FIG. 5 is a bottom plan view thereof;
FIG. 6 is a left side elevational view thereof;
FIG. 7 is a right side elevational view thereof; and,
FIG. 8 is a bottom-front perspective view thereof.
The broken line showing of portions of the winged exercise pull-up bar depicts environment and forms no part of the claim.

1 Claim, 5 Drawing Sheets



(56)

References Cited

U.S. PATENT DOCUMENTS

D704,779	S *	5/2014	Boatwright	D21/686
D716,625	S *	11/2014	Pereyra	D8/45
D728,039	S *	4/2015	Groshek	D21/679
D786,518	S *	5/2017	Szekely	D32/35
2006/0211552	A1 *	9/2006	Williams	A63B 21/4035 482/139
2012/0104718	A1 *	5/2012	Alvarez	B60R 3/00 280/163
2013/0303348	A1 *	11/2013	Cardin	B60R 3/00 482/139
2014/0287886	A1 *	9/2014	Patti	A63B 21/0054 482/93

OTHER PUBLICATIONS

Close Grip Neutral on MAG Grip Products Webpage, MAG Maximum Advantage Grip Website, Web page <<http://maxagrip.com/products.html>>, 2 pages, dated Oct. 17, 2013, retrieved from Internet Archive Wayback Machine <<https://web.archive.org/web/20131017005713/http://maxagrip.com/products.html>> on Sep. 14, 2016.

Close Grip Pronate on Mag Grip Products Webpage, MAG Maximum Advantage Grip Website, Web page <<http://maxagrip.com/products.html>>, 2 pages, dated Oct. 17, 2013, retrieved from Internet Archive Wayback Machine <<https://web.archive.org/web/20131017005713/http://maxagrip.com/products.html>> on Sep. 14, 2016.

20131017005713/<http://maxagrip.com/products.html>> on Sep. 14, 2016.

Close Grip Supinate on MAG Grip Products Webpage, MAG Maximum Advantage Grip Website, Web page <<http://maxagrip.com/products.html>>, 2 pages, dated Oct. 17, 2013, retrieved from Internet Archive Wayback Machine <<https://web.archive.org/web/20131017005713/http://maxagrip.com/products.html>> on Sep. 14, 2016.

Medium Grip Neutral on MAG Grip Products Webpage, MAG Maximum Advantage Grip Website, Web page <<http://maxagrip.com/products.html>>, 2 pages, dated Oct. 17, 2013, retrieved from Internet Archive Wayback Machine <<https://web.archive.org/web/20131017005713/http://maxagrip.com/products.html>> on Sep. 14, 2016.

Medium Grip Pronate on MAG Grip Products Webpage, MAG Maximum Advantage Grip Website, Web page <<http://maxagrip.com/products.html>>, 2 pages, dated Oct. 17, 2013, retrieved from Internet Archive Wayback Machine <<https://web.archive.org/web/20131017005713/http://maxagrip.com/products.html>> on Sep. 14, 2016.

Medium Grip Supinate on MAG Grip Products Webpage, MAG Maximum Advantage Grip Website, Web page <<http://maxagrip.com/products.html>>, 2 pages, dated Oct. 17, 2013, retrieved from Internet Archive Wayback Machine <<https://web.archive.org/web/20131017005713/http://maxagrip.com/products.html>> on Sep. 14, 2016.

* cited by examiner

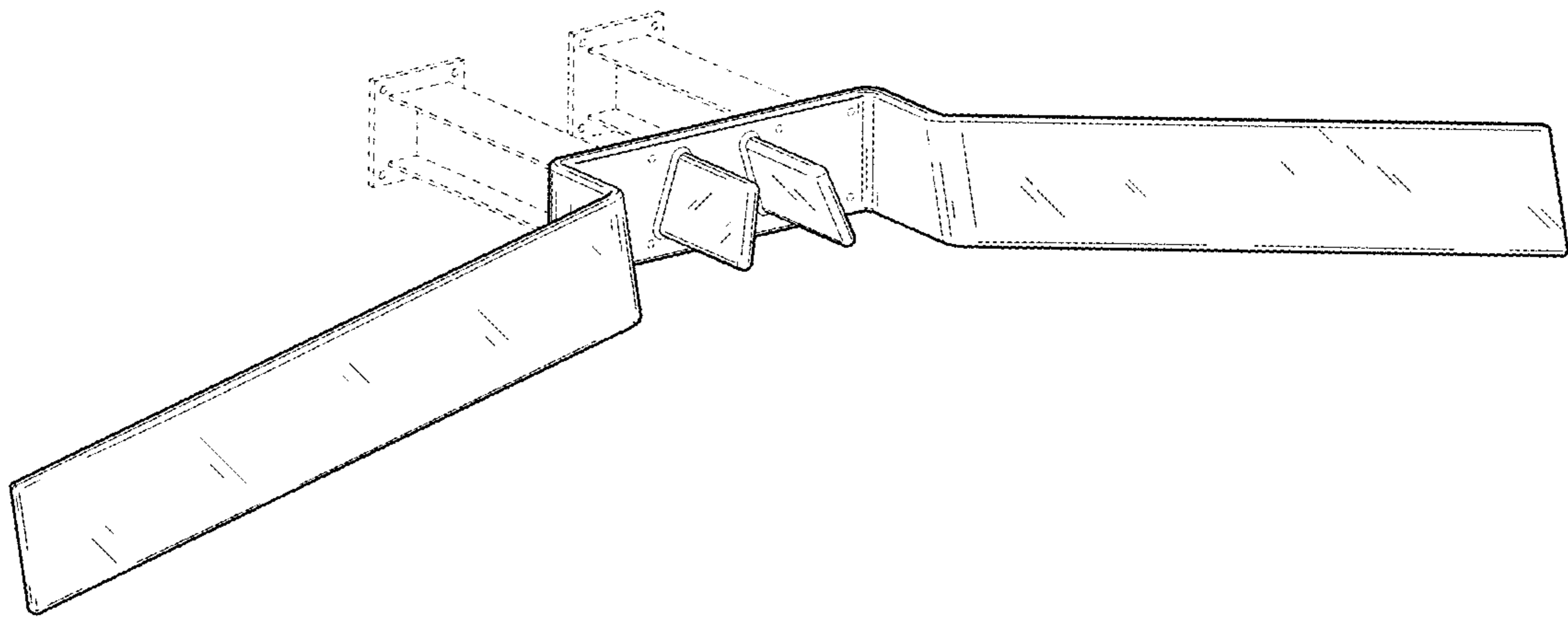


FIG. 1

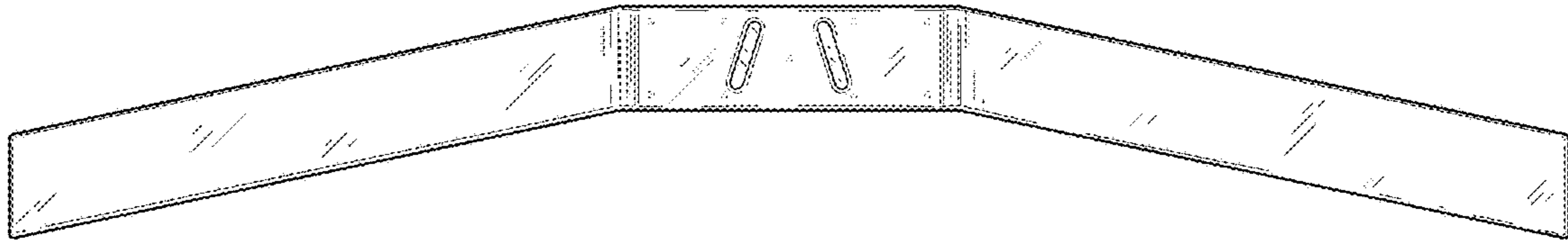


FIG. 2

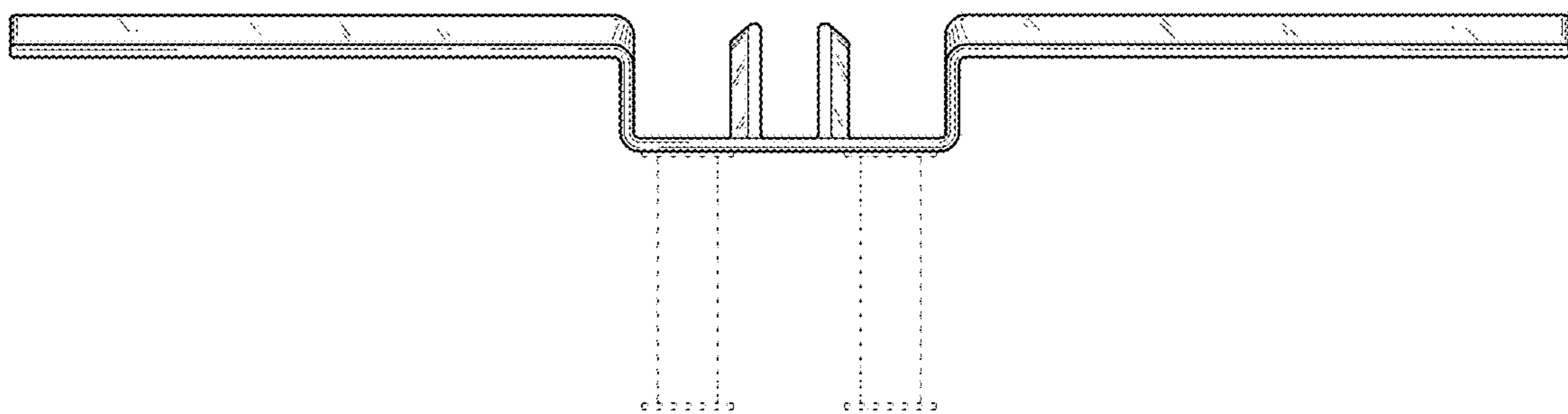


FIG. 3

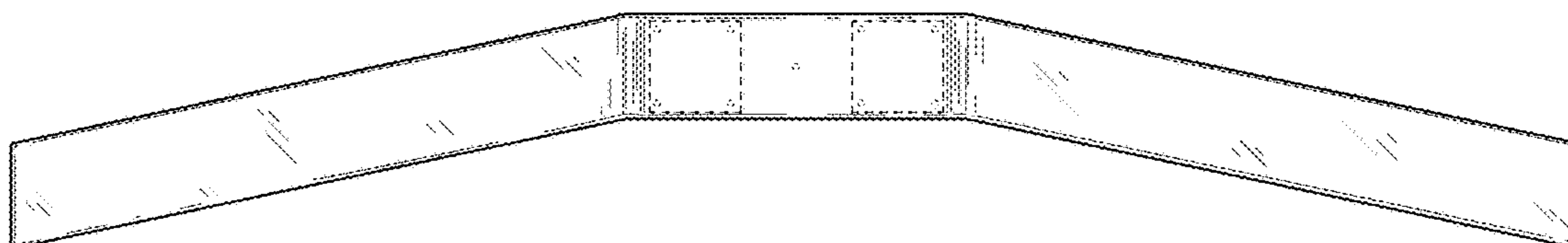


FIG. 4

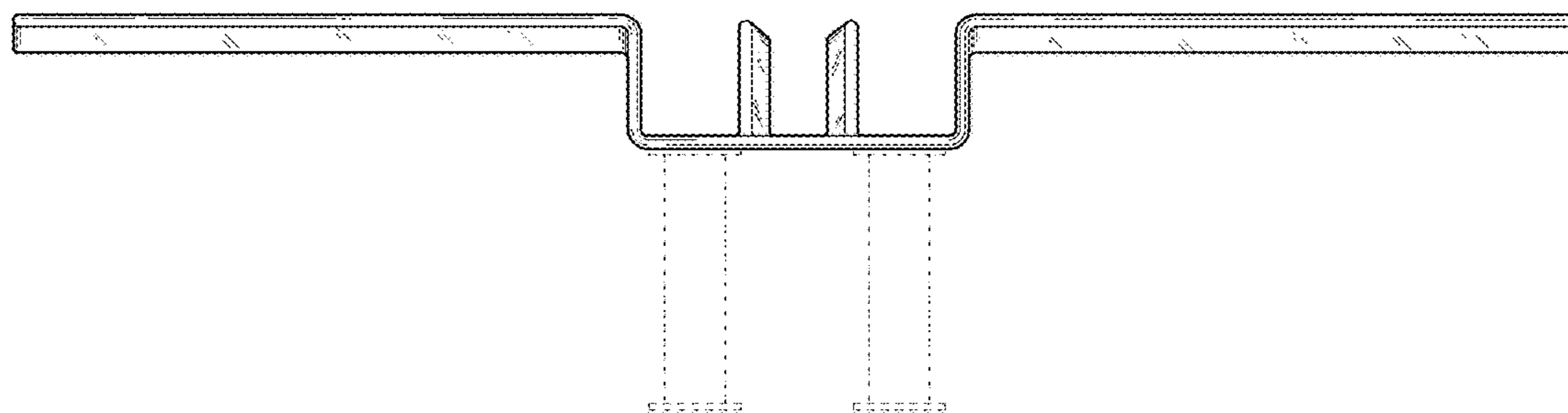


FIG. 5

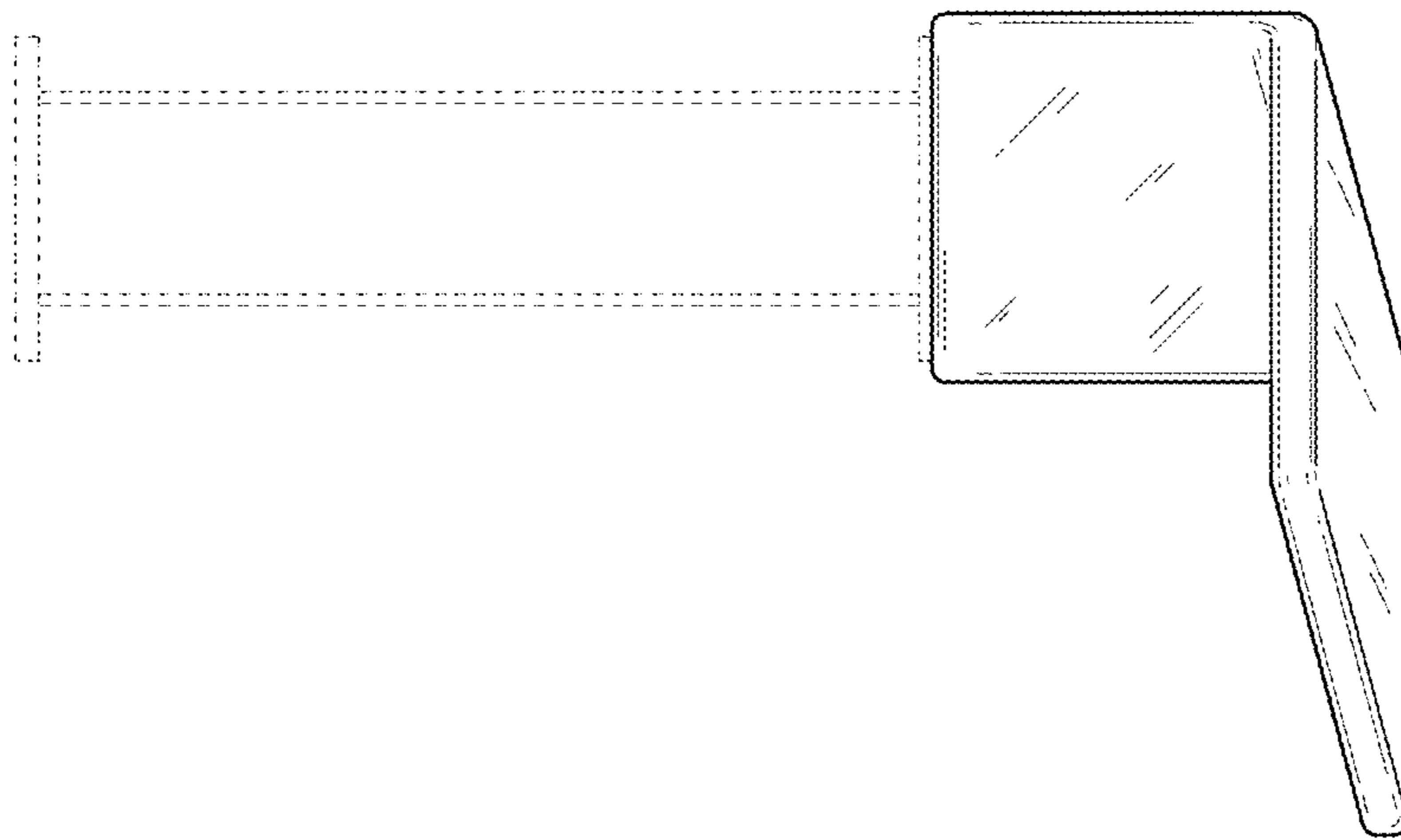


FIG. 6

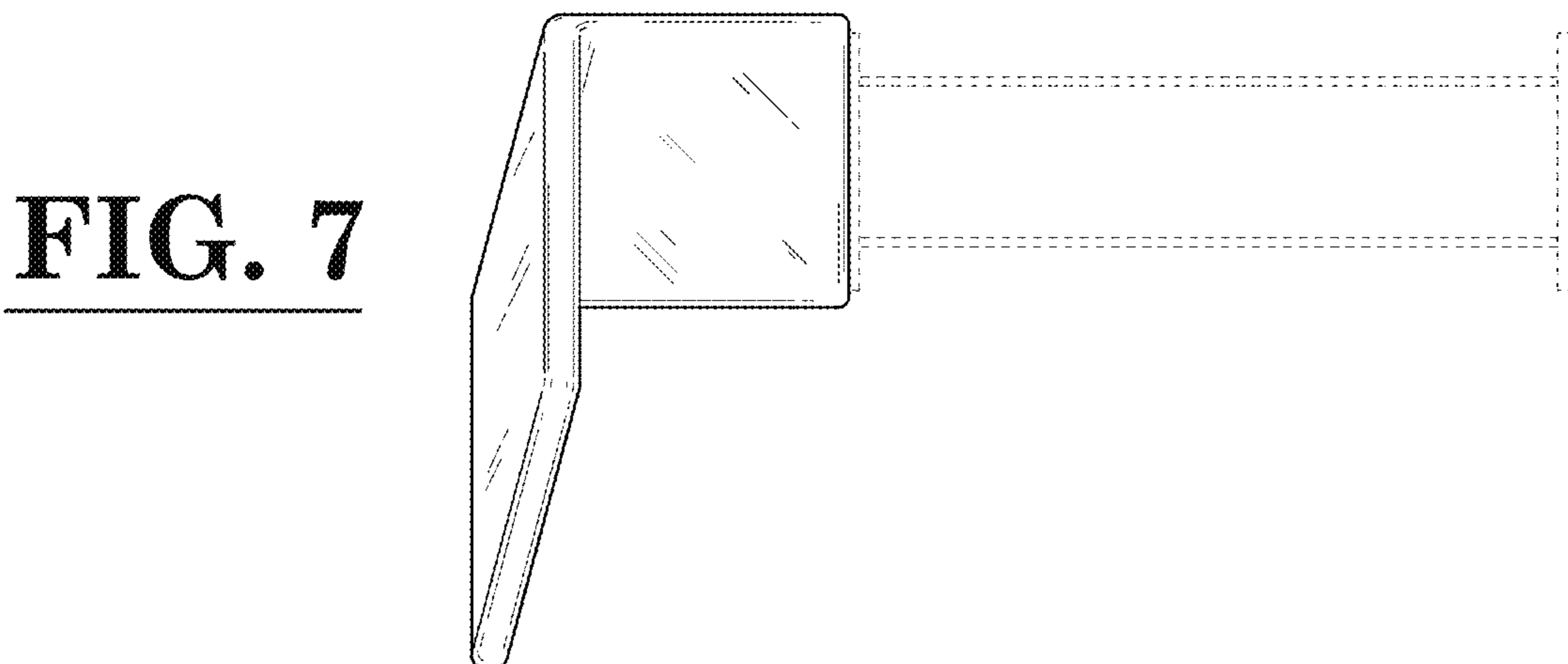


FIG. 7

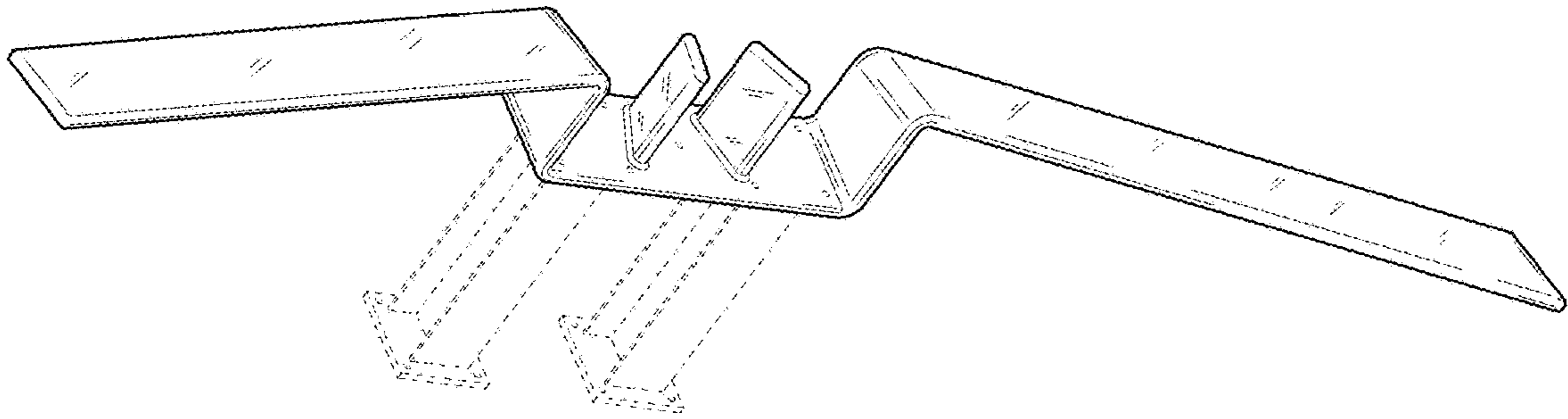


FIG. 8