



US00D818058S

(12) **United States Design Patent** (10) **Patent No.:** **US D818,058 S**  
**Barton et al.** (45) **Date of Patent:** **\*\* May 15, 2018**

(54) **ELONGATED PULL-UP BAR WITH WALL MOUNT**

(71) Applicant: **Barton Innovations, LLC**,  
Waynesfield, OH (US)

(72) Inventors: **Thomas Jeffrey Barton**, Waynesfield,  
OH (US); **David Joseph Barton**,  
Waynesfield, OH (US); **Sara Anne  
Barton**, Waynesfield, OH (US)

(73) Assignee: **Barton Innovations, LLC**,  
Waynesfield, OH (US)

(\*\*) Term: **15 Years**

(21) Appl. No.: **29/569,502**

(22) Filed: **Jun. 28, 2016**

(51) **LOC (11) Cl.** ..... **21-02**

(52) **U.S. Cl.**  
USPC ..... **D21/679**

(58) **Field of Classification Search**  
USPC ..... D21/673, 679, 682, 694, 662, 684, 686,  
D21/691; 482/139, 93, 98, 38, 39, 108,  
482/40, 148, 904; D32/35, 50; D8/45,  
D8/316

CPC ... A63B 21/4035; A63B 1/00; A63B 21/4017;  
A63B 23/1218; A63B 21/072; A63B  
21/0724; A63B 23/12; A63B 23/1209

See application file for complete search history.

(56) **References Cited**

U.S. PATENT DOCUMENTS

D262,730 S *	1/1982	Lambert, Jr.	.....	D21/694
D285,812 S *	9/1986	Green, Jr.	.....	473/590
D290,030 S *	5/1987	Darnell	.....	D21/437
D305,256 S *	12/1989	Pearson	.....	D21/682
D317,032 S *	5/1991	Eckler	.....	D21/694
5,076,578 A *	12/1991	Askonen	.....	A63B 23/12 482/139
5,761,767 A	6/1998	Barton		

D396,510 S *	7/1998	Marney	.....	D21/684
6,220,988 B1 *	4/2001	Williams	.....	A63B 23/12 482/108
D549,414 S *	8/2007	Van Landingham, Jr.	....	D32/50
D565,133 S *	3/2008	Mollet	.....	D21/694
D577,276 S *	9/2008	Matijevic	.....	D8/316
7,993,245 B1 *	8/2011	Dorfman	.....	A63B 21/00047 482/148

(Continued)

OTHER PUBLICATIONS

MAG Grip Products Webpage, MAG Maximum Advantage Grip Website, Web page <<http://maxagrip.com/products.html>>, 2 pages, dated Oct. 17, 2013, retrieved from Internet Archive Wayback Machine <<https://web.archive.org/web/20131017005713/http://maxagrip.com/products.html>> on Sep. 13, 2016.

(Continued)

*Primary Examiner* — Robert M. Spear

*Assistant Examiner* — Ryan Harvey

(74) *Attorney, Agent, or Firm* — The Law Office of  
Patrick F. O'Reilly III, LLC

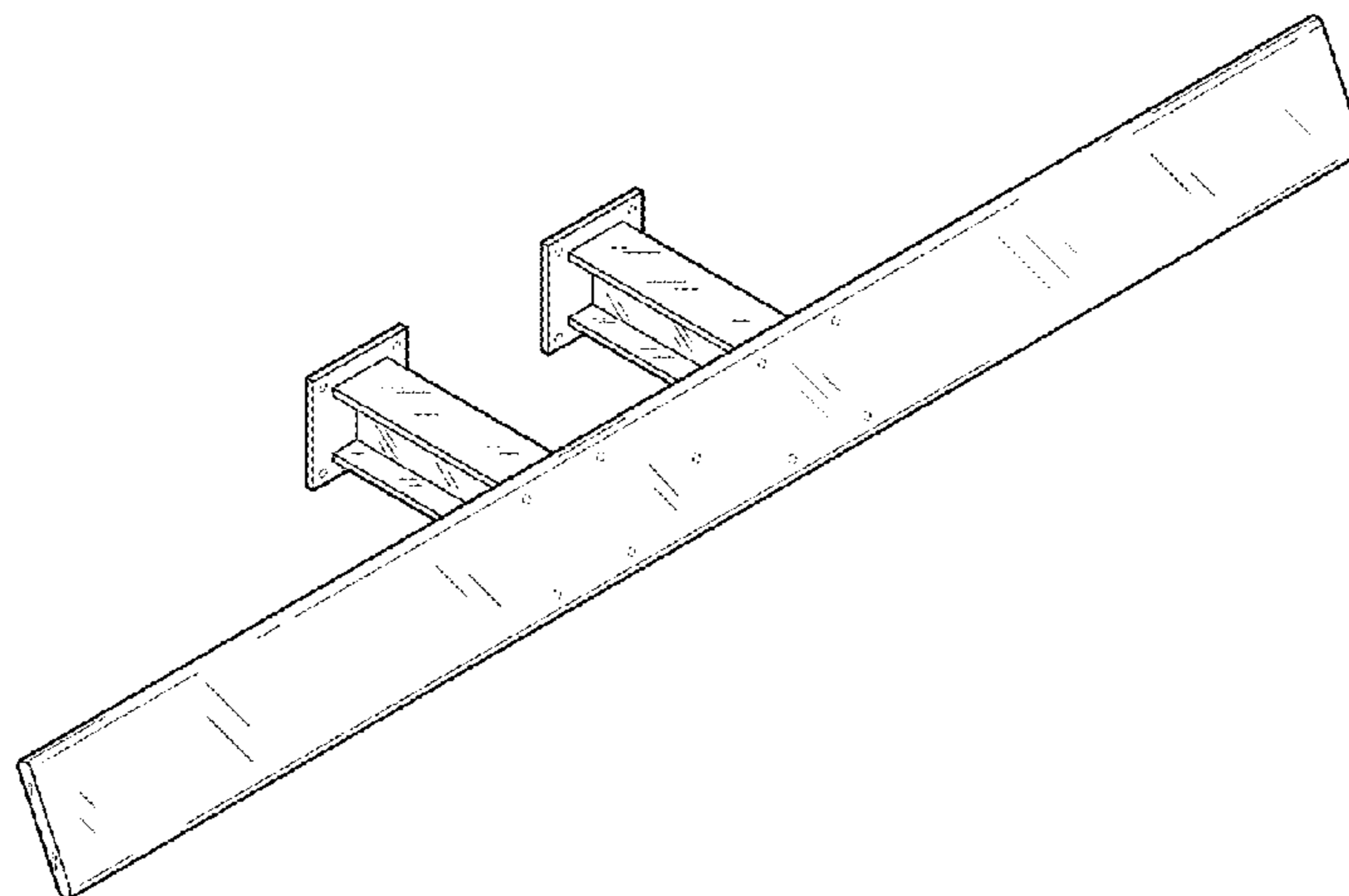
(57) **CLAIM**

The ornamental design for an elongated pull-up bar with wall mount, as shown and described.

**DESCRIPTION**

FIG. 1 is a top-front perspective view of an elongated pull-up bar with wall mount showing our new design; FIG. 2 is a front elevational view thereof; FIG. 3 is a top plan view thereof; FIG. 4 is a rear elevational view thereof; FIG. 5 is a bottom plan view thereof; FIG. 6 is a left side elevational view thereof; FIG. 7 is a right side elevational view thereof; and, FIG. 8 is a bottom perspective view thereof. The broken line showing of the screw holes depicts the boundaries of the claim and forms no part thereof.

**1 Claim, 5 Drawing Sheets**



(56)

**References Cited**

U.S. PATENT DOCUMENTS

D704,779	S *	5/2014	Boatwright	.....	D21/686
D716,625	S *	11/2014	Pereyra	.....	D8/45
D728,039	S *	4/2015	Groshek	.....	D21/679
D786,518	S *	5/2017	Szekely	.....	D32/35
2006/0211552	A1 *	9/2006	Williams	.....	A63B 21/4035 482/139
2012/0104718	A1 *	5/2012	Alvarez	.....	B60R 3/00 280/163
2013/0303348	A1 *	11/2013	Cardin	.....	A63B 21/0724 482/139
2014/0287886	A1 *	9/2014	Patti	.....	A63B 71/0054 482/93

OTHER PUBLICATIONS

Close Grip Neutral on MAG Grip Products Webpage, MAG Maximum Advantage Grip Website, Web page <<http://maxagrip.com/products.html>>, 2 pages, dated Oct. 17, 2013, retrieved from Internet Archive Wayback Machine <<https://web.archive.org/web/20131017005713/http://maxagrip.com/products.html>> on Sep. 14, 2016.

Close Grip Pronate on MAG Grip Products Webpage, MAG Maximum Advantage Grip Website, Web page <<http://maxagrip.com/products.html>>, 2 pages, dated Oct. 17, 2013, retrieved from Internet Archive Wayback Machine <<https://web.archive.org/web/20131017005713/http://maxagrip.com/products.html>> on Sep. 14, 2016.

20131017005713/<http://maxagrip.com/products.html>> on Sep. 14, 2016.

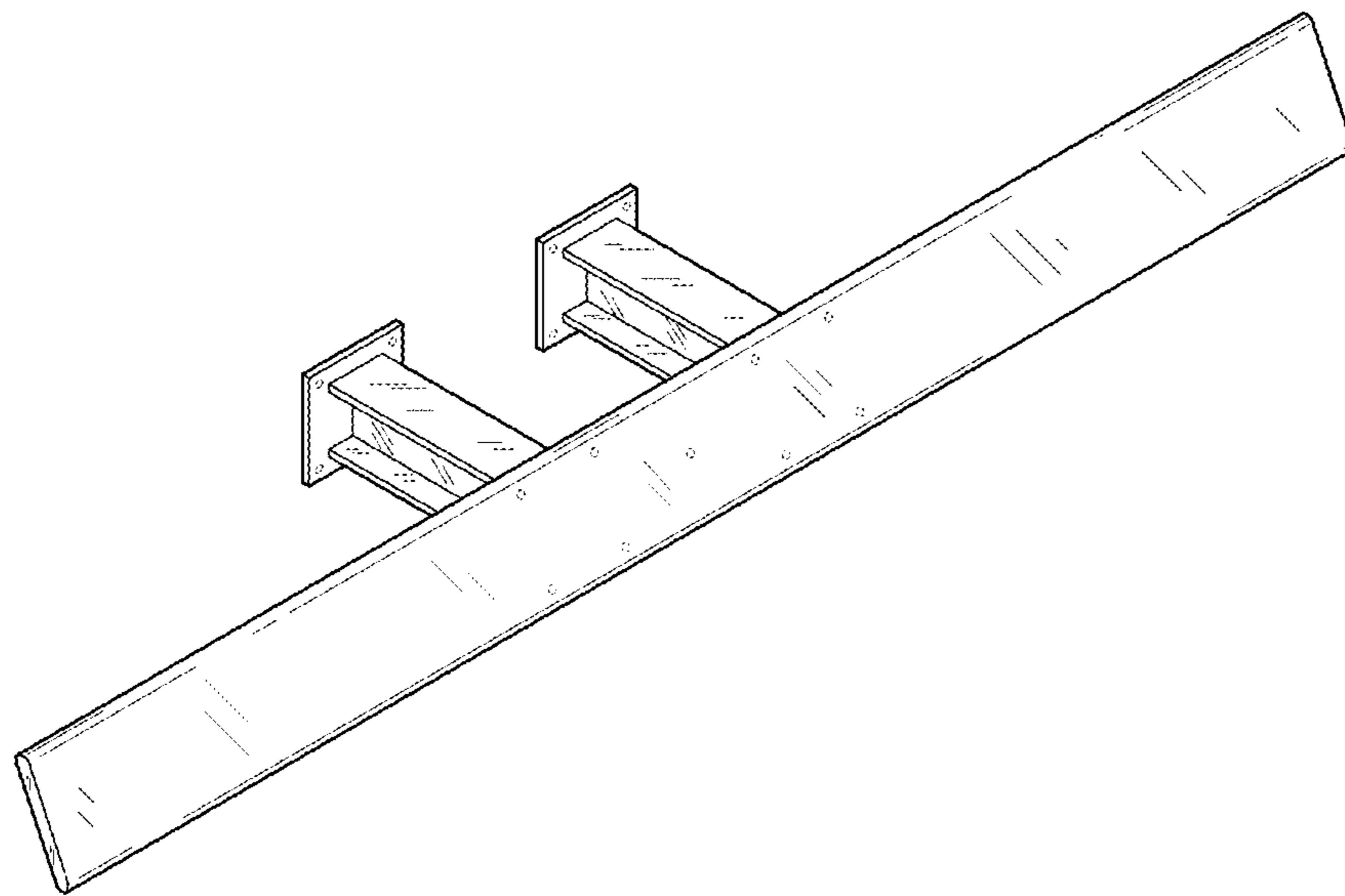
Close Grip Supinate on MAG Grip Products Webpage, MAG Maximum Advantage Grip Website, Web page <<http://maxagrip.com/products.html>>, 2 pages, dated Oct. 17, 2013, retrieved from Internet Archive Wayback Machine <<https://web.archive.org/web/20131017005713/http://maxagrip.com/products.html>> on Sep. 14, 2016.

Medium Grip Neutral on MAG Grip Products Webpage, MAG Maximum Advantage Grip Website, Web page <<http://maxagrip.com/products.html>>, 2 pages, dated Oct. 17, 2013, retrieved from Internet Archive Wayback Machine <<https://web.archive.org/web/20131017005713/http://maxagrip.com/products.html>> on Sep. 14, 2016.

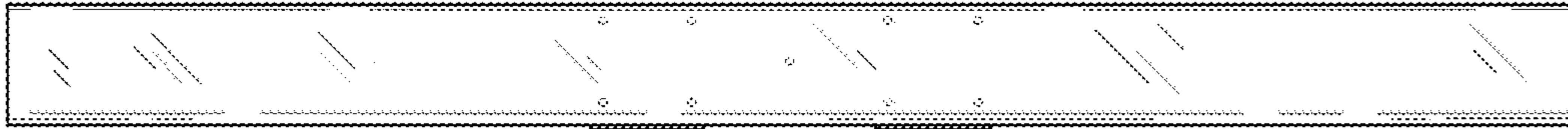
Medium Grip Pronate on MAG Grip Products Webpage, MAG Maximum Advantage Grip Website, Web page <<http://maxagrip.com/products.html>>, 2 pages, dated Oct. 17, 2013, retrieved from Internet Archive Wayback Machine <<https://web.archive.org/web/20131017005713/http://maxagrip.com/products.html>> on Sep. 14, 2016.

Medium Grip Supinate on MAG Grip Products Webpage, MAG Maximum Advantage Grip Website, Web page <<http://maxagrip.com/products.html>>, 2 pages, dated Oct. 17, 2013, retrieved from Internet Archive Wayback Machine <<https://web.archive.org/web/20131017005713/http://maxagrip.com/products.html>> on Sep. 14, 2016.

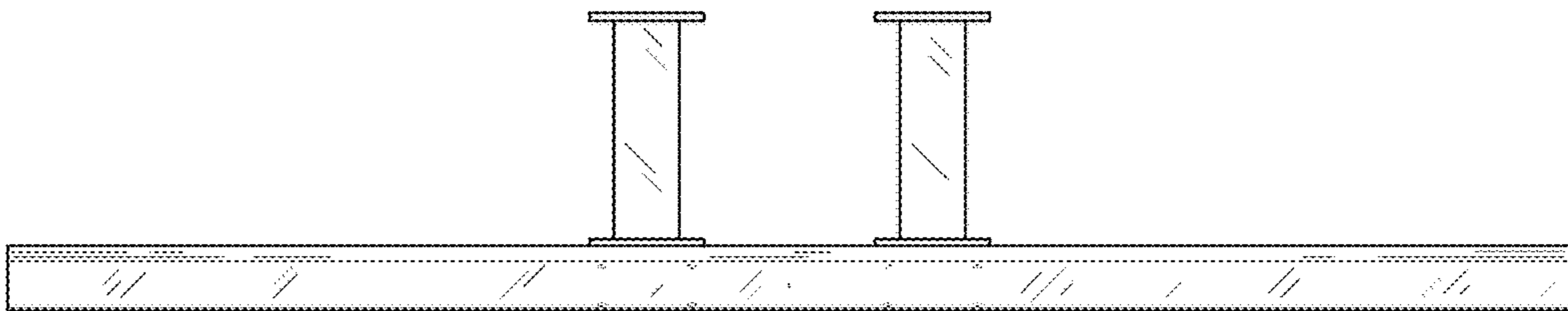
\* cited by examiner



**FIG. 1**



**FIG. 2**



**FIG. 3**



FIG. 4

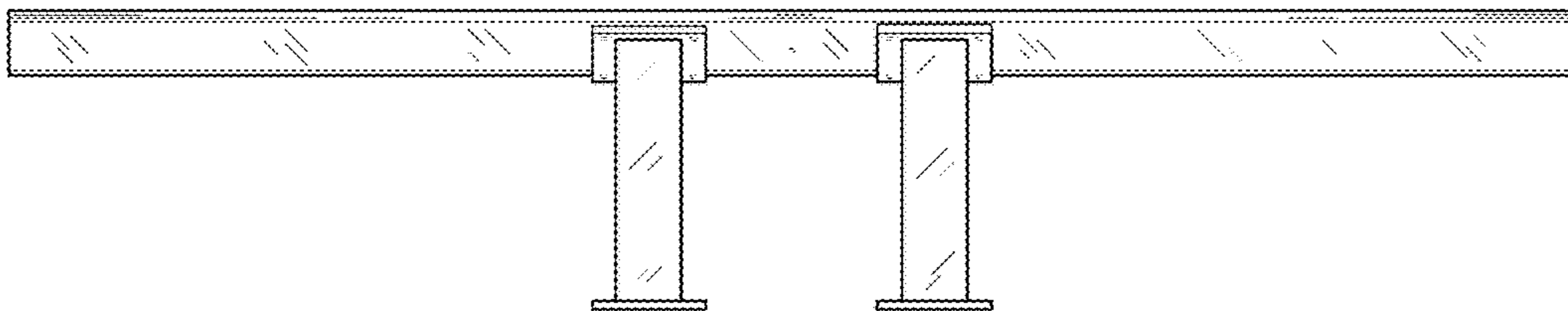
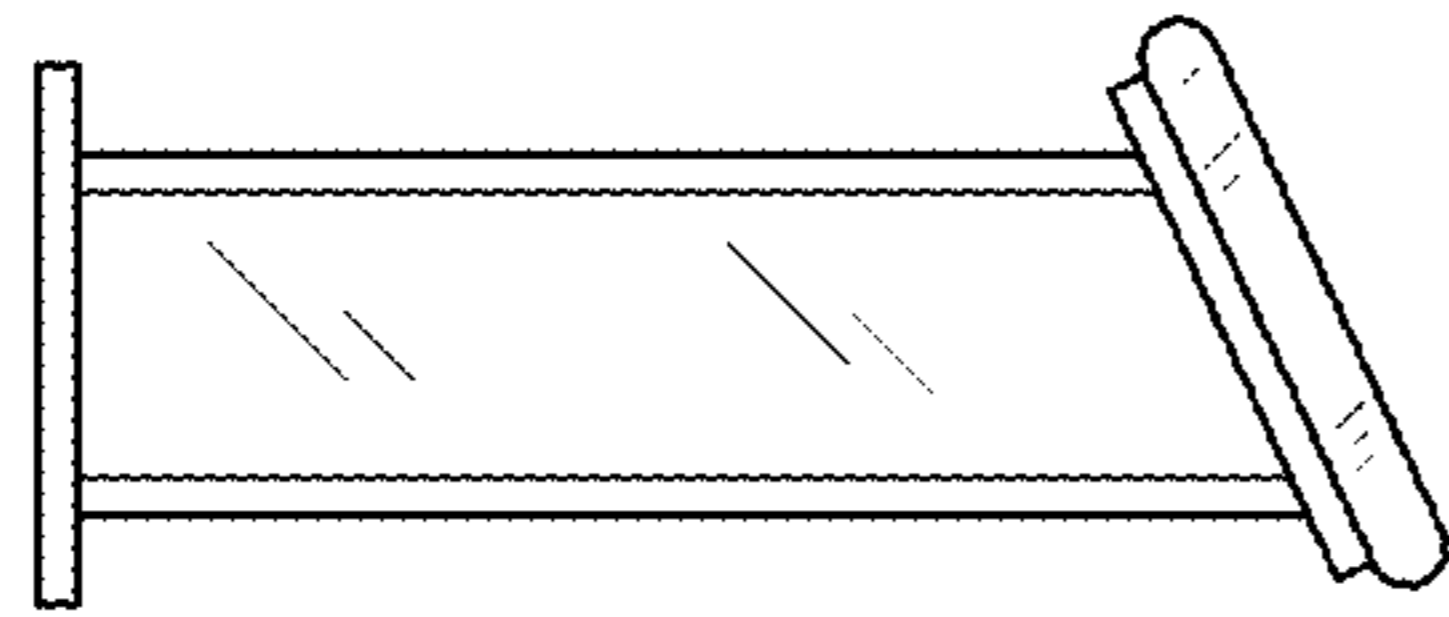
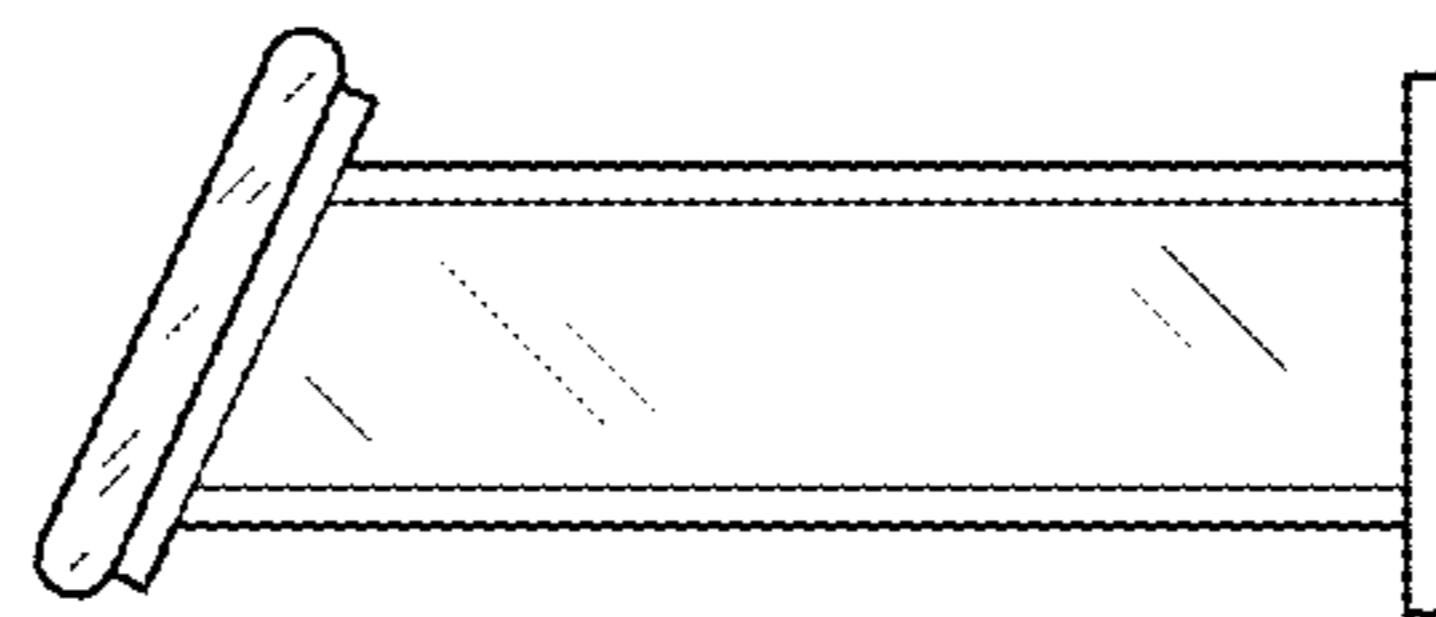


FIG. 5



**FIG. 6**

**FIG. 7**



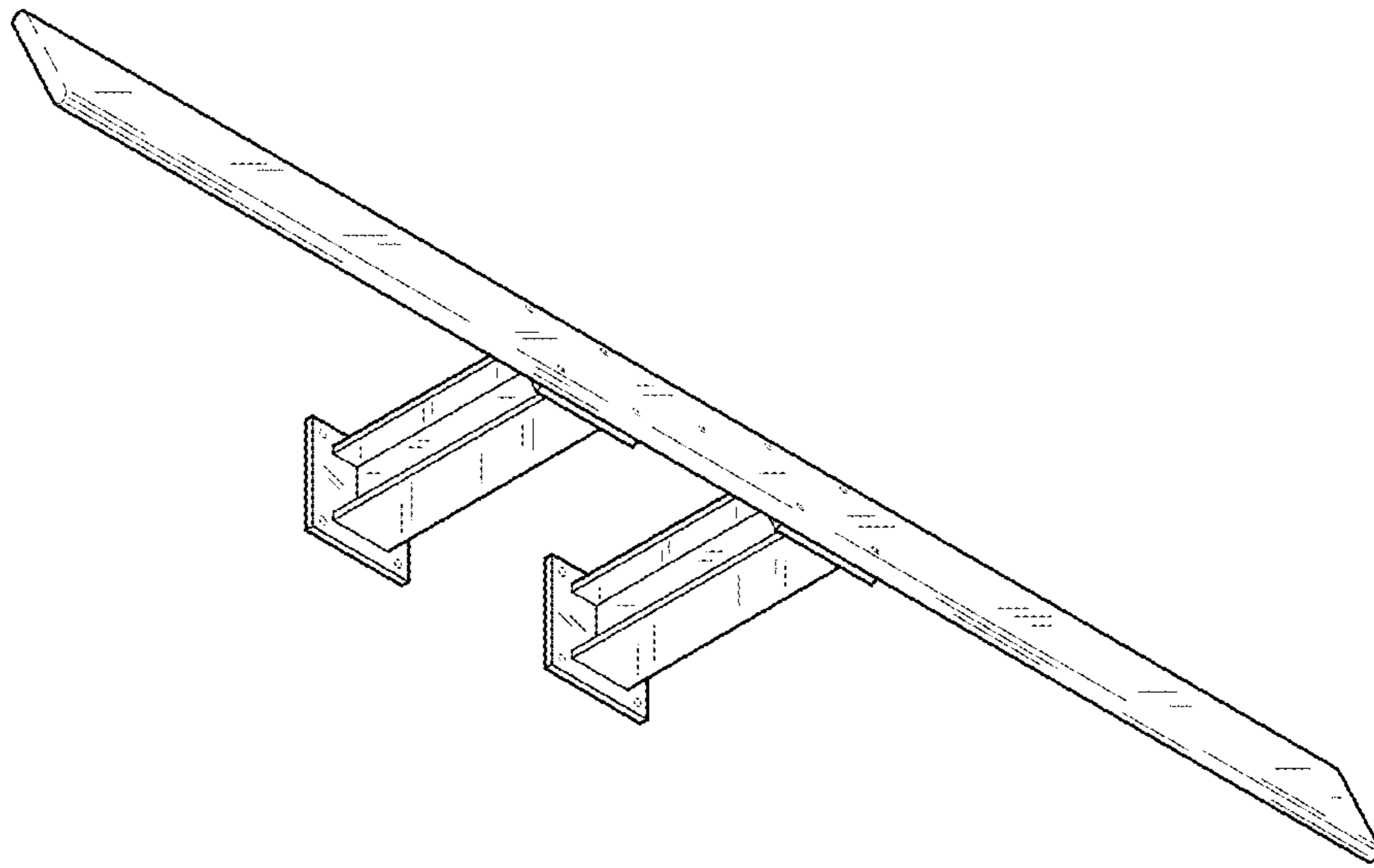


FIG. 8