



US00D818056S

(12) **United States Design Patent** (10) **Patent No.:** **US D818,056 S**
Lo (45) **Date of Patent:** **** May 15, 2018**

(54) **BUILDING BLOCK**
(71) Applicant: **DELSUN CO., LTD.**, Tainan (TW)
(72) Inventor: **Feng-Jun Lo**, Tainan (TW)
(73) Assignee: **Delsun Co., Ltd.**, Tainan (TW)
(**) Term: **15 Years**
(21) Appl. No.: **29/615,420**
(22) Filed: **Aug. 29, 2017**

5,683,283 A 11/1997 Glynn
D389,408 S 1/1998 Rask
5,795,210 A * 8/1998 Kushner A63H 33/086
446/117
D411,591 S * 6/1999 Laserna Fernandez D21/500
D417,705 S 12/1999 Rudy
D430,231 S 8/2000 Sorensen
D445,148 S 7/2001 McIntosh
D456,463 S 4/2002 Sorensen
D464,381 S 10/2002 Sorensen
D465,247 S 11/2002 Sorensen
D487,544 S 3/2004 Jessen
D553,201 S * 10/2007 Glickman D21/485
7,347,028 B1 3/2008 Bin-Nun

(Continued)

Related U.S. Application Data

(63) Continuation-in-part of application No. 29/532,786, filed on Jul. 10, 2015.
(51) **LOC (11) Cl.** **21-01**
(52) **U.S. Cl.**
USPC **D21/499**
(58) **Field of Classification Search**
USPC D21/478, 479, 484, 485-505; 446/69, 446/85, 102-128; 434/208, 259, 403; 273/153, 156, 160; 428/174
CPC A63H 33/00; A63H 33/04; A63H 33/06; A63H 33/08; A63H 33/10; A63H 33/12; A63H 33/14; A63F 9/0608; A63F 9/12; G09B 1/36
See application file for complete search history.

OTHER PUBLICATIONS

MRCUFF Building Block Pair Cufflinks, Date first available at Amazon.com: Sep. 15, 2014 <<https://www.amazon.com/MRCUFF-Building-Cufflinks-Presentation-Polishing/dp/BOONLKE200/>>, 1 page.

(Continued)

Primary Examiner — Cynthia M Chin
(74) *Attorney, Agent, or Firm* — Alan D. Kamrath; Kamrath IP Lawfirm, P.A.

(57) **CLAIM**

The ornamental design for a building block, as shown and described.

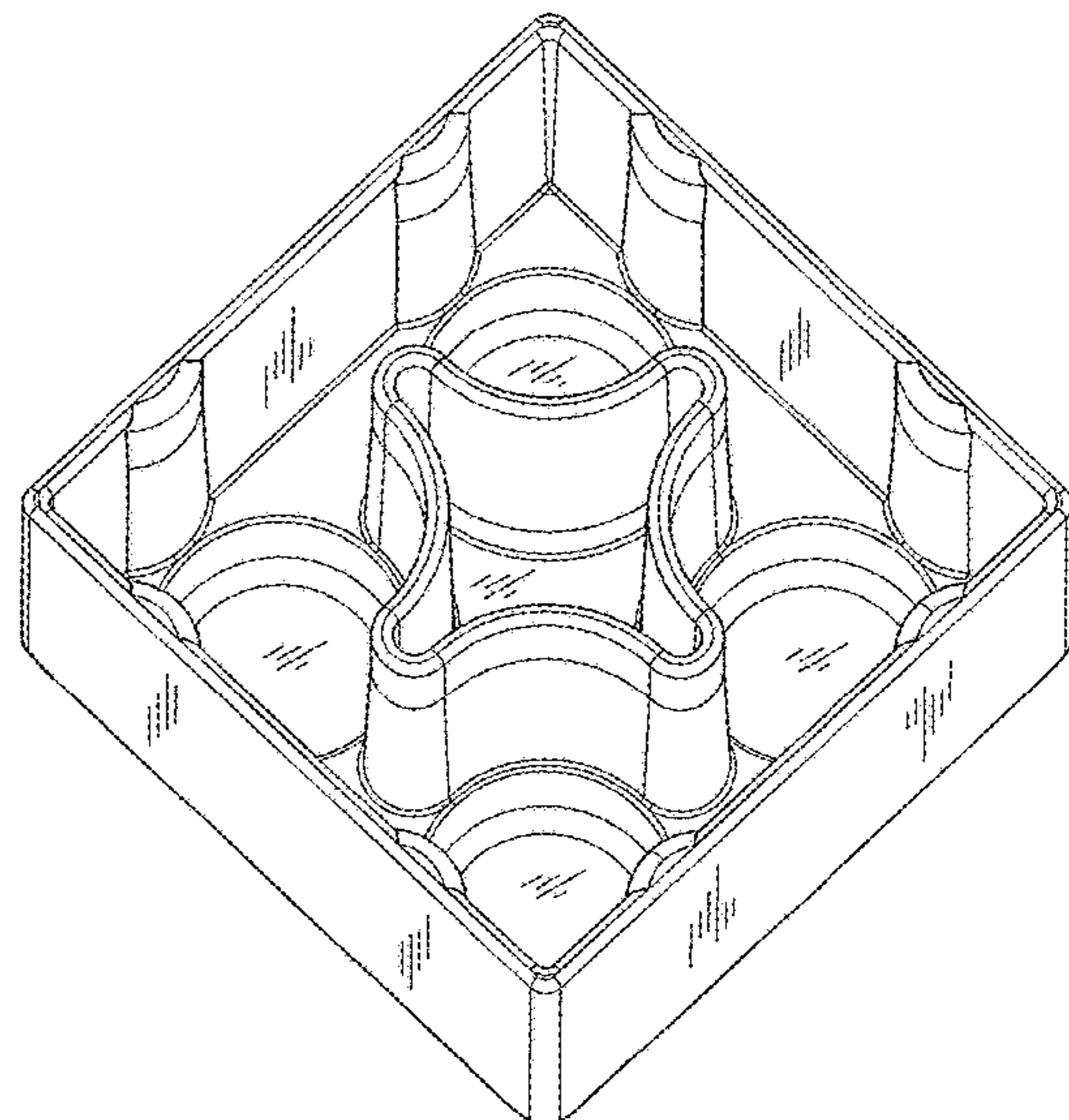
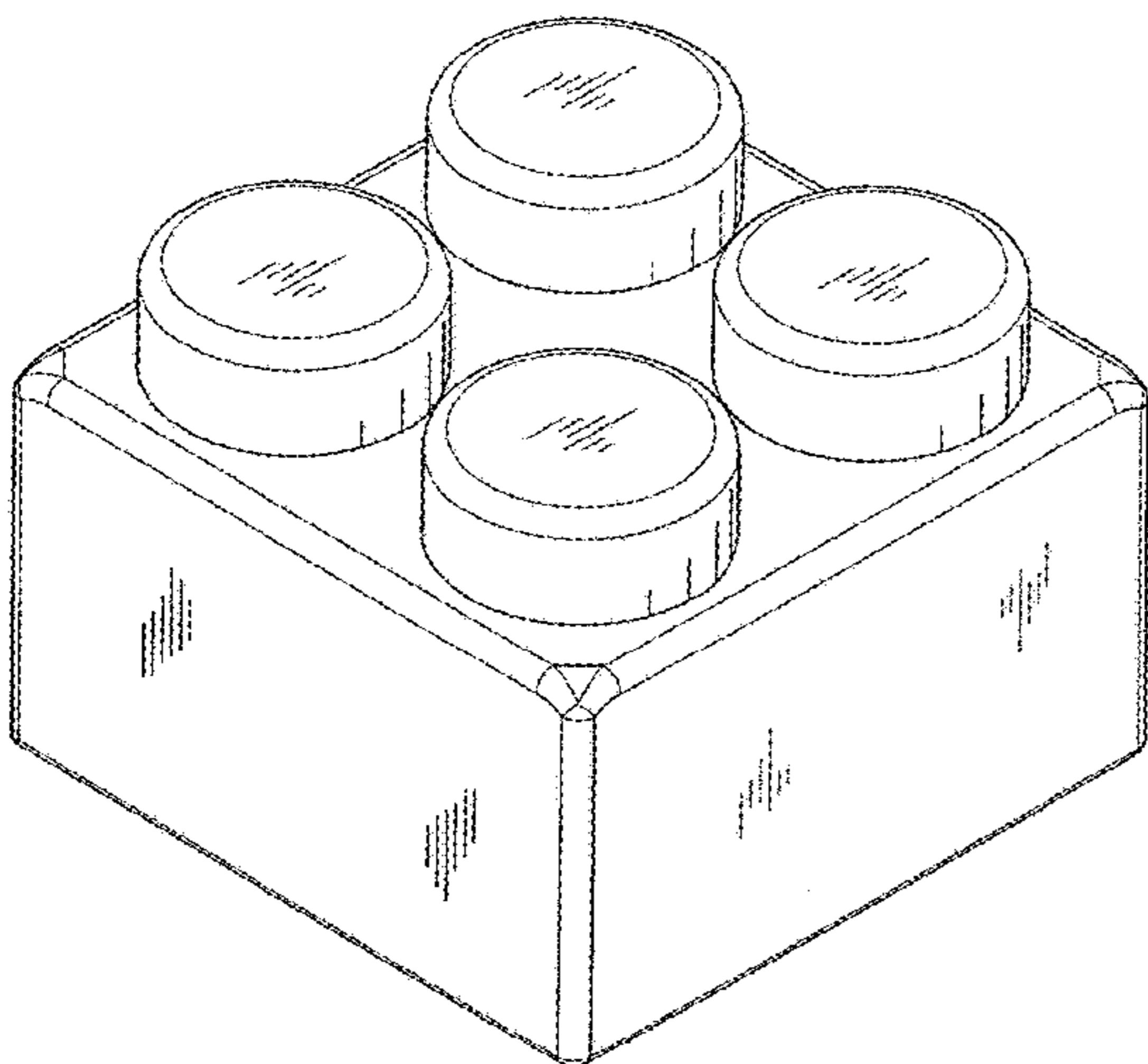
DESCRIPTION

FIG. 1 is a top perspective view of a building block showing my design;
FIG. 2 is a front elevational view thereof with the rear, right and left elevational views being mirror images thereof;
FIG. 3 is a top plan view thereof;
FIG. 4 is a bottom plan view thereof; and,
FIG. 5 is a bottom perspective view thereof.

1 Claim, 3 Drawing Sheets

(56) **References Cited**
U.S. PATENT DOCUMENTS

D279,915 S 7/1985 Arnau Pibet
D286,417 S 10/1986 Takahashi
D296,023 S 5/1988 Tapdrup
D301,260 S 5/1989 McLaughlin
D367,898 S 3/1996 Glynn
D368,939 S 4/1996 Frederiksen
D370,504 S 6/1996 Glynn
D371,398 S 7/1996 Glynn



(56)

References Cited

U.S. PATENT DOCUMENTS

D616,046 S	5/2010	Hwang	
D652,952 S *	1/2012	Angel	D25/113
D668,302 S *	10/2012	Hino	D21/484
D686,279 S	7/2013	Andre	
D707,554 S	6/2014	Lavoie	
D714,401 S	9/2014	Lin	
D748,741 S *	2/2016	Simonds	D21/499
D749,680 S	2/2016	Lin	
2007/0163010 A1 *	7/2007	Ishii	A63H 30/04 455/39

OTHER PUBLICATIONS

Stack-A-Doodle—Stackable Lego Block Crayons, posted on
geekalerts.com on Apr. 20, 2012 <<http://www.geekalerts.com/stack-a-doodle-stackable-lego-block-crayons/>> , 1 page.

* cited by examiner

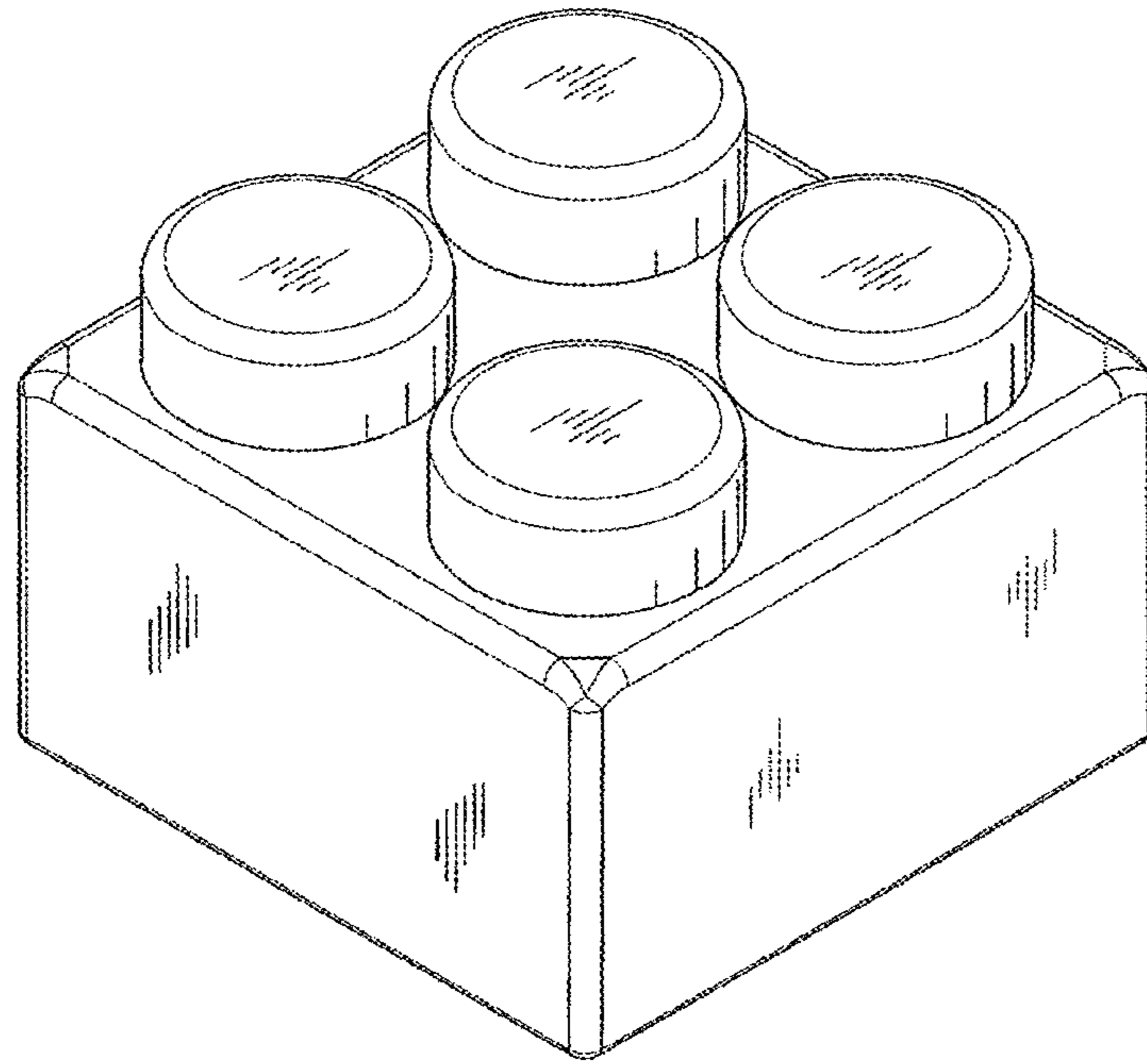


FIG. 1

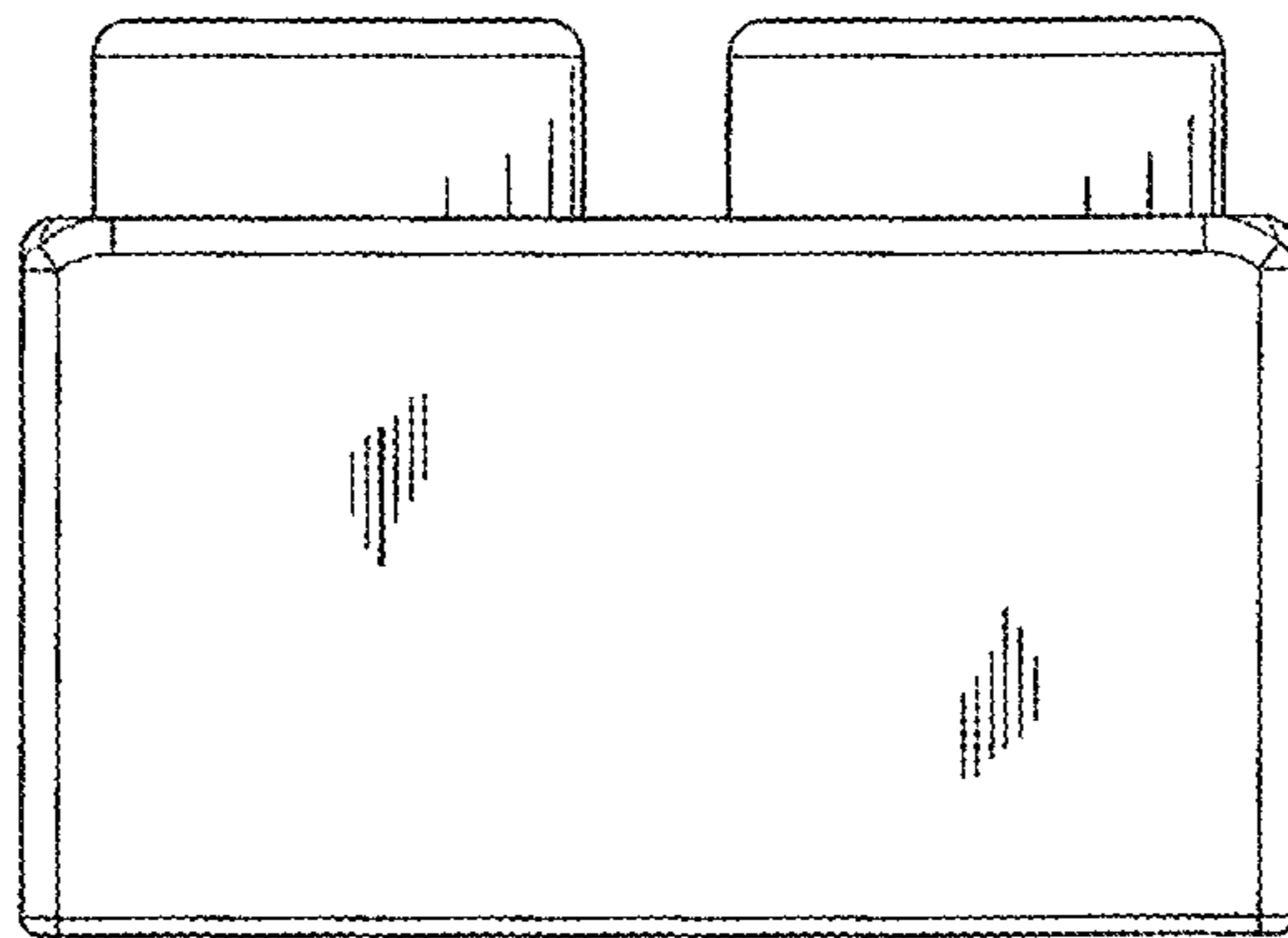


FIG. 2

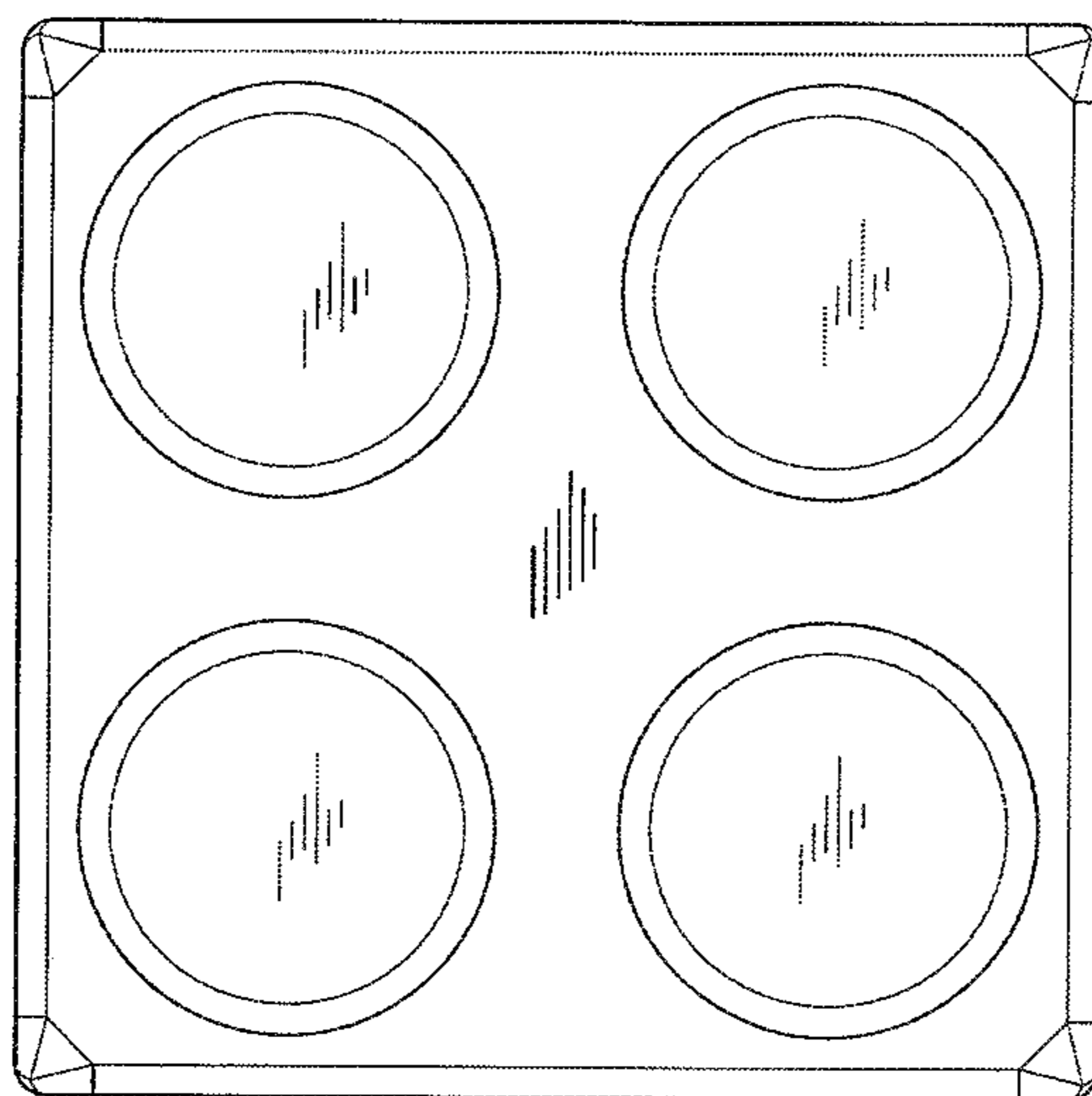


FIG. 3

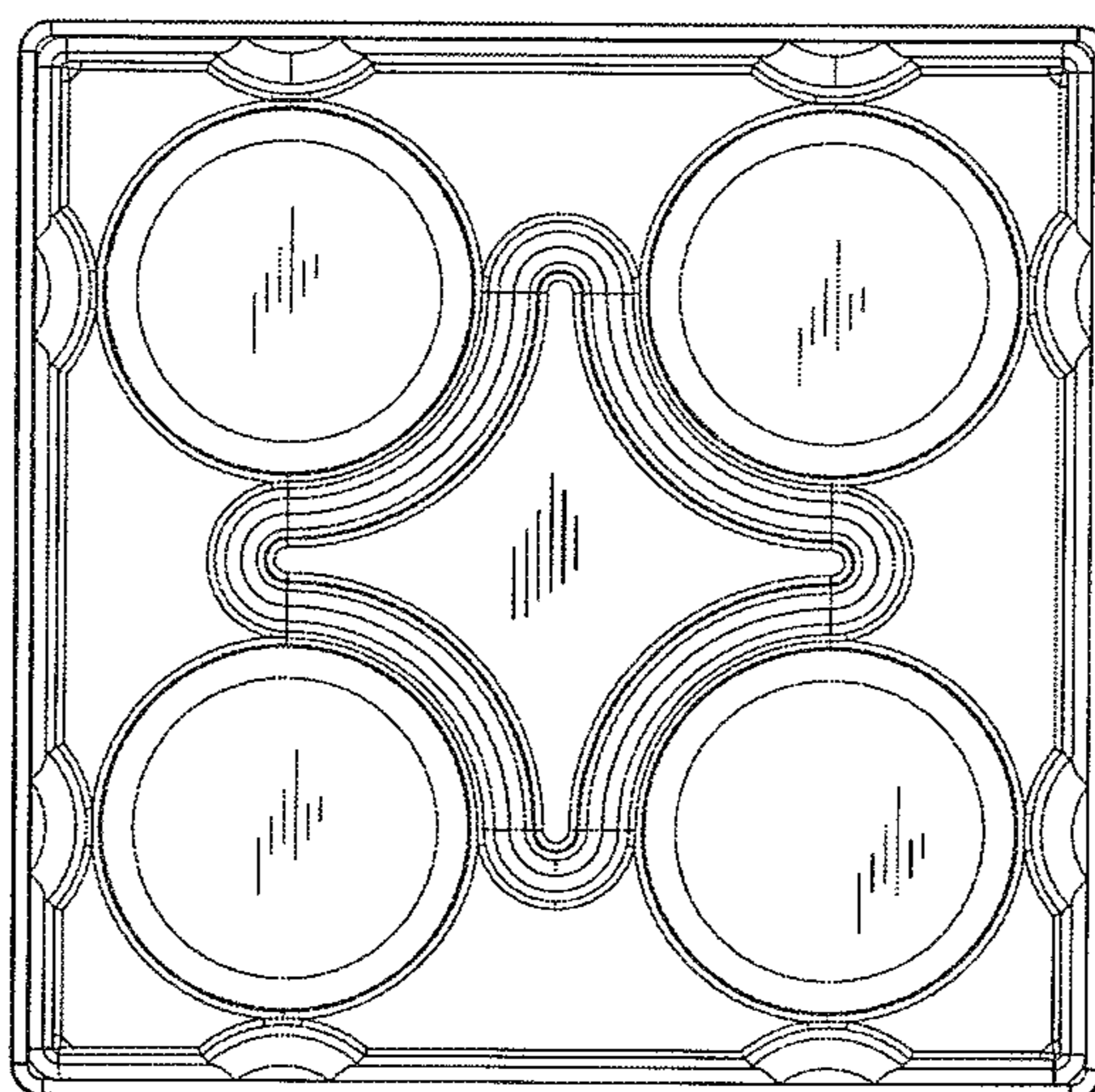


FIG. 4

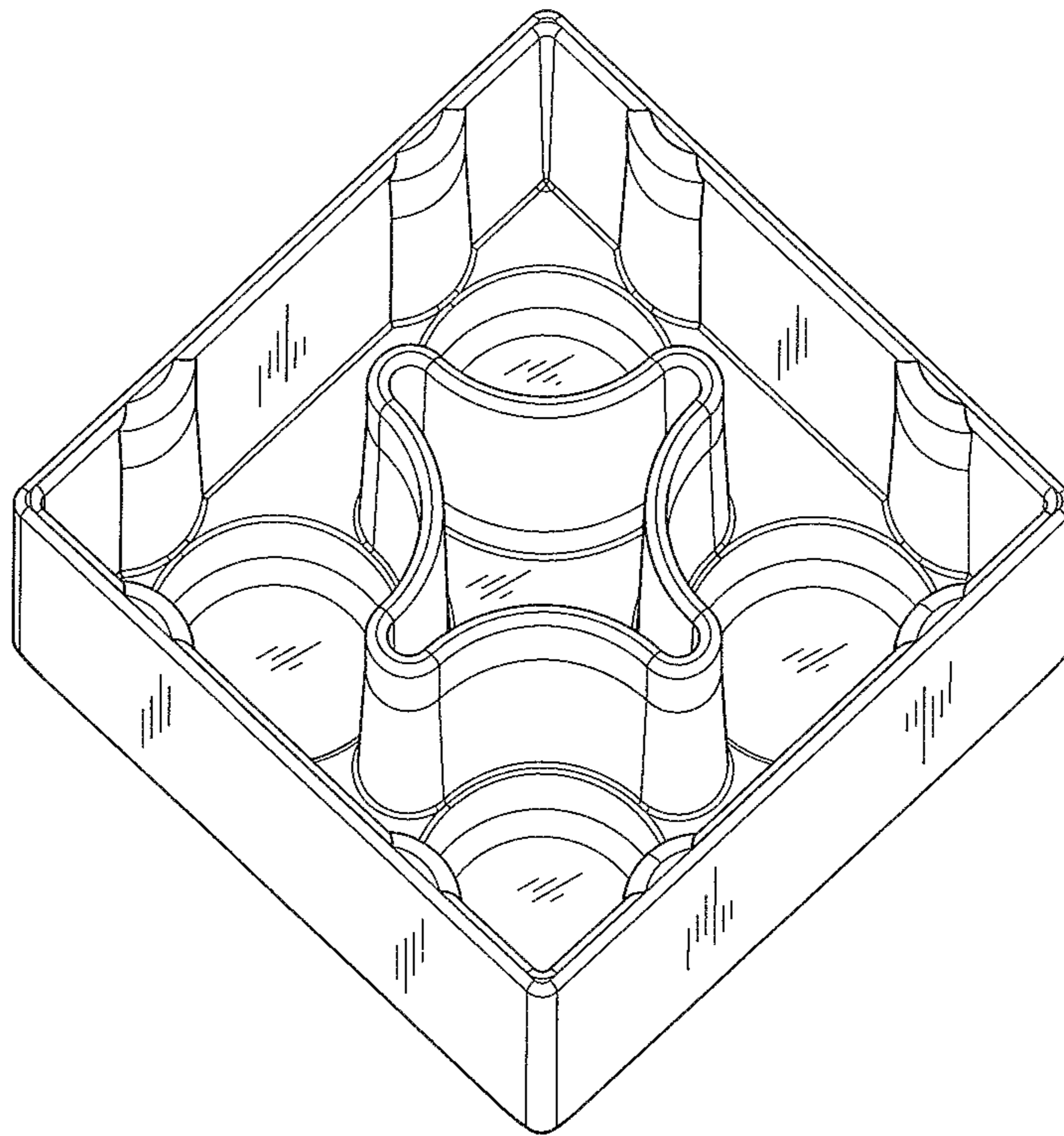


FIG. 5