



US00D818052S

(12) **United States Design Patent** (10) **Patent No.:** **US D818,052 S**  
**Liu** (45) **Date of Patent:** **\*\* May 15, 2018**

(54) **HAND FIDGET SPINNER**  
(71) Applicant: **Daniel Liu**, Pearland, TX (US)  
(72) Inventor: **Daniel Liu**, Pearland, TX (US)  
(\*\*) Term: **15 Years**  
(21) Appl. No.: **29/599,950**  
(22) Filed: **Apr. 7, 2017**  
(51) **LOC (11) Cl.** ..... **21-01**  
(52) **U.S. Cl.**  
USPC ..... **D21/455**  
(58) **Field of Classification Search**  
USPC ..... D21/386, 387, 398, 404, 441, 443, 444,  
D21/455-466, 484, 486, 493, 502, 504,  
D21/505, 707; D30/160; D8/300, 307,  
D8/312, DIG. 2, DIG. 3; D23/245, 250,  
D23/252; 446/236-266, 487, 489  
CPC ..... A63H 1/00-1/32  
See application file for complete search history.

3,594,944 A \* 7/1971 Rondeau ..... A63H 1/00  
428/13  
4,227,342 A \* 10/1980 Knowles ..... A63F 9/06  
273/454  
D316,579 S \* 4/1991 Dally ..... D21/460  
5,672,086 A \* 9/1997 Dixon ..... A63H 27/00  
446/37  
D577,776 S \* 9/2008 Tremblay ..... D21/501  
D646,950 S \* 10/2011 Going ..... D8/307  
D801,440 S \* 10/2017 Pavelsky ..... D21/455  
9,895,620 B1 \* 2/2018 Walterscheid ..... A63H 1/24  
2009/0007759 A1 \* 1/2009 Pearison ..... A63H 37/00  
84/477 B

(Continued)

**FOREIGN PATENT DOCUMENTS**

CN 302082121 \* 9/2012  
DE 469000 C \* 12/1928 ..... A63H 1/00  
DE 202017103662 U1 \* 9/2017 ..... A63H 1/00

(Continued)

*Primary Examiner* — Catherine A Tuttle  
(74) *Attorney, Agent, or Firm* — Dunlap Bennett & Ludwig PLLC

(56) **References Cited**

**U.S. PATENT DOCUMENTS**

421,290 A \* 2/1890 Knoepfel et al. .... A63H 27/14  
446/40  
1,480,858 A \* 1/1924 Goetz ..... A63H 1/04  
446/263  
1,727,726 A \* 9/1929 Onysko ..... A63H 27/12  
446/40  
D91,275 S \* 1/1934 Linden ..... D21/458  
D105,254 S \* 7/1937 Zinkil ..... D23/250  
D155,015 S \* 8/1949 Krapp ..... 102/359  
D156,582 S \* 12/1949 Tomarin ..... 446/250  
D165,040 S \* 10/1951 Young ..... 74/543  
D177,798 S \* 5/1956 Delaney ..... D21/455  
3,124,898 A \* 3/1964 Henrichsen ..... A63H 27/12  
446/38  
3,533,185 A \* 10/1970 Kanbar ..... A63B 23/16  
446/266

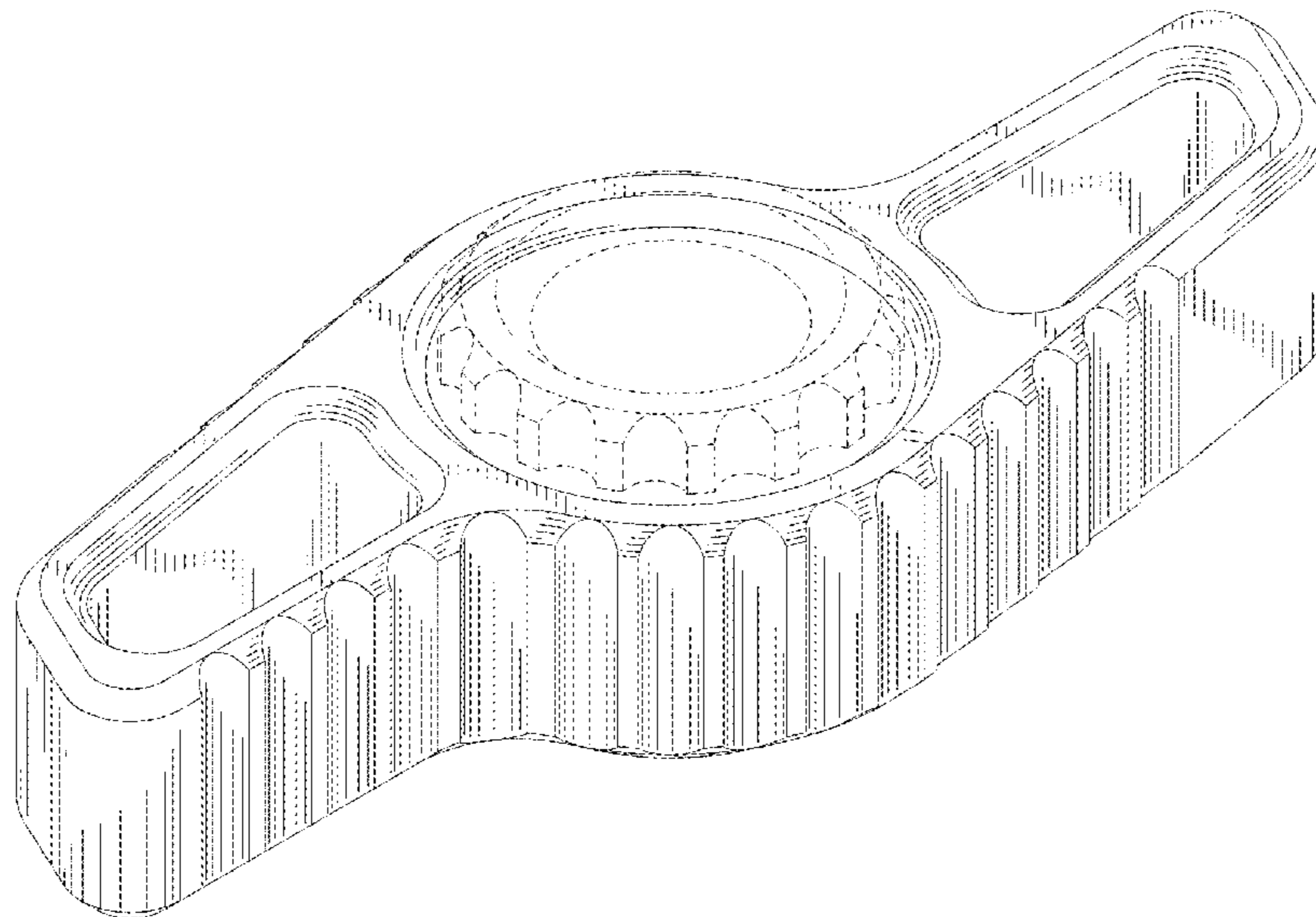
(57) **CLAIM**

The ornamental design for a hand fidget spinner, as shown and described.

**DESCRIPTION**

FIG. 1 is a perspective view of a hand fidget spinner; FIG. 2 is a top plan view thereof; FIG. 3 is a bottom plan view thereof; FIG. 4 is a right side elevation view thereof; FIG. 5 is a left side elevation view thereof; FIG. 6 is a front elevation view thereof; and, FIG. 7 is a rear elevation view thereof. The broken lines shown in the drawings depict a bearing of the hand fidget spinner that forms no part of the claimed design.

**1 Claim, 3 Drawing Sheets**



(56)

**References Cited**

U.S. PATENT DOCUMENTS

2012/0135666 A1\* 5/2012 Rosenzweig ..... A63H 1/32  
446/242

FOREIGN PATENT DOCUMENTS

EM	004005619-0014	*	5/2017	
FR	371471 A	*	3/1907	..... A63H 1/22
FR	1063989 A	*	5/1954	..... A63H 1/32
GB	611947 A	*	11/1948	..... A63H 1/00
GB	6003969	*	12/2016	
GB	6003974	*	12/2016	
GB	6011429	*	4/2017	
WO	D096011-005	*	5/2017	

\* cited by examiner

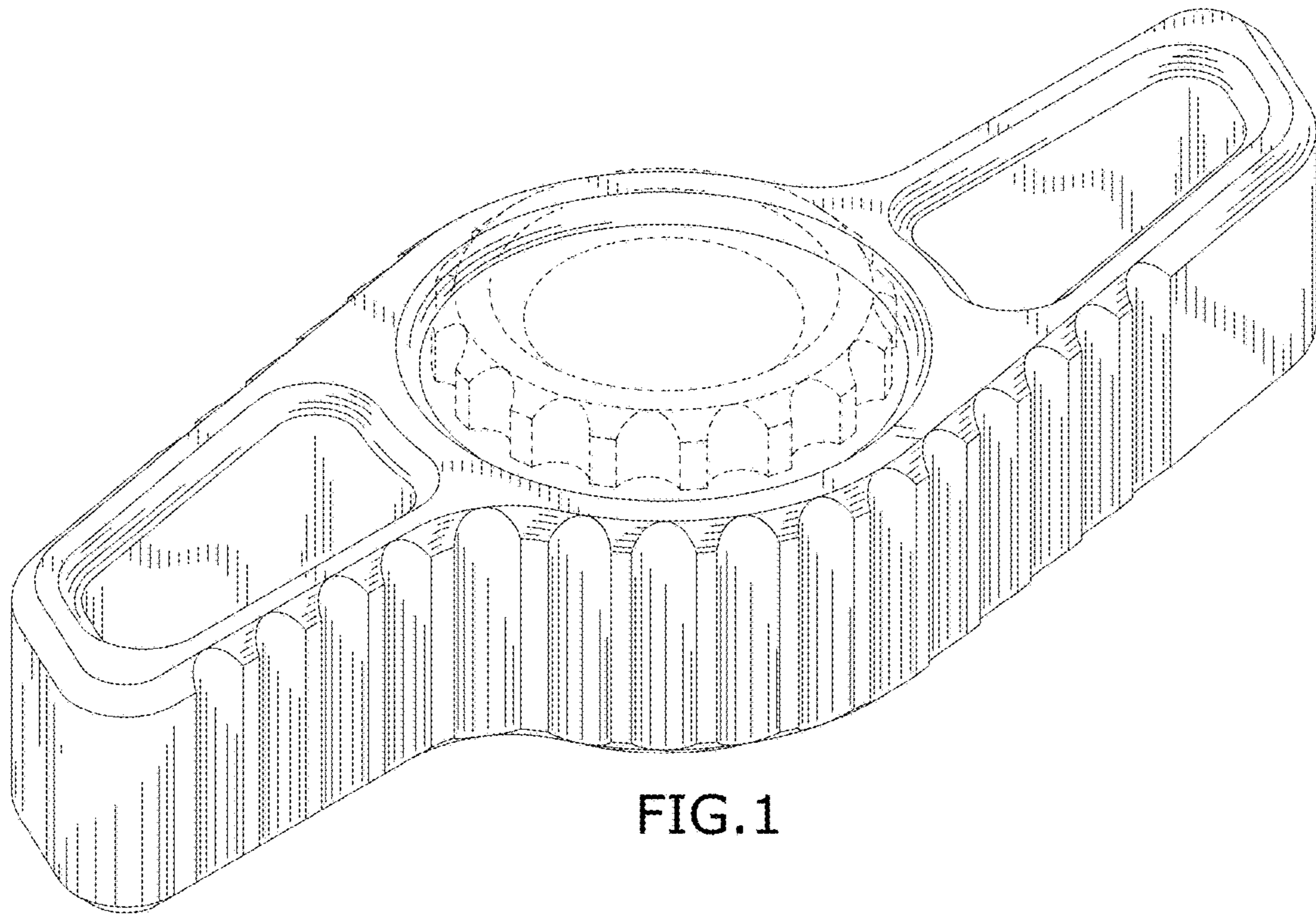


FIG. 1

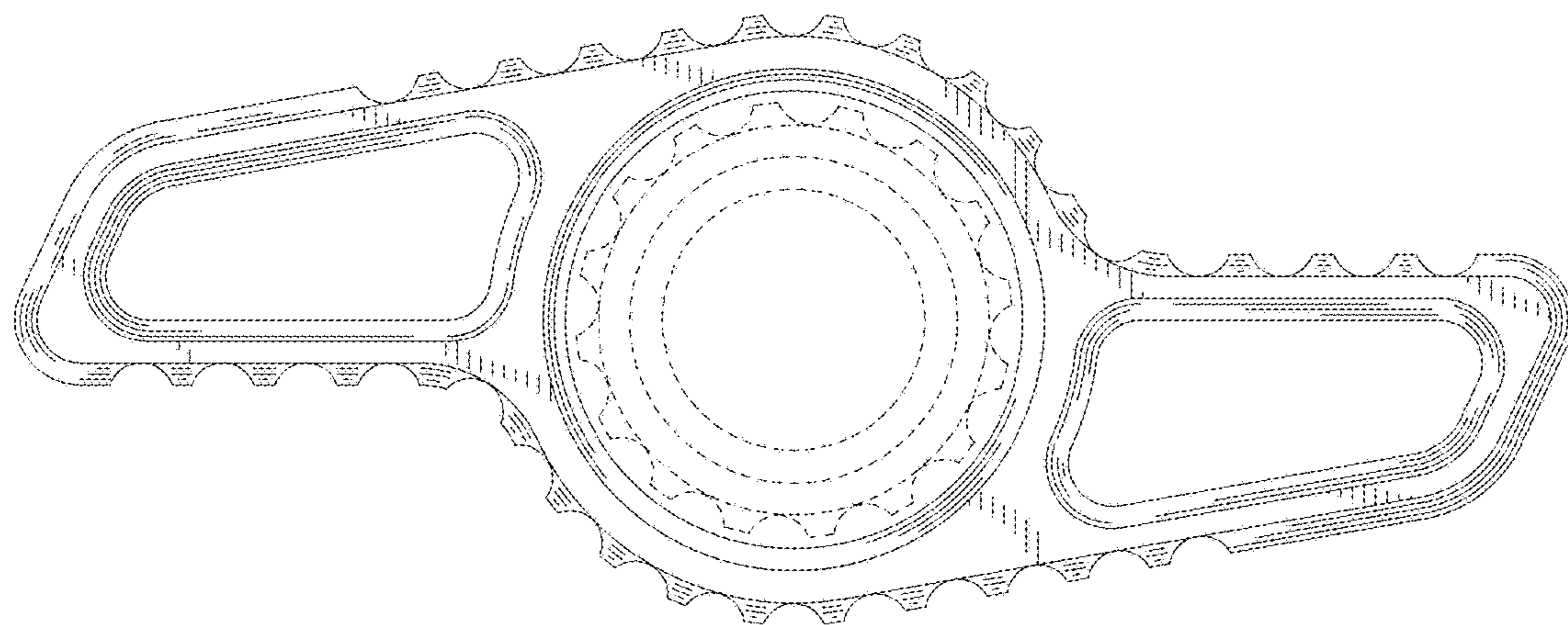


FIG. 2

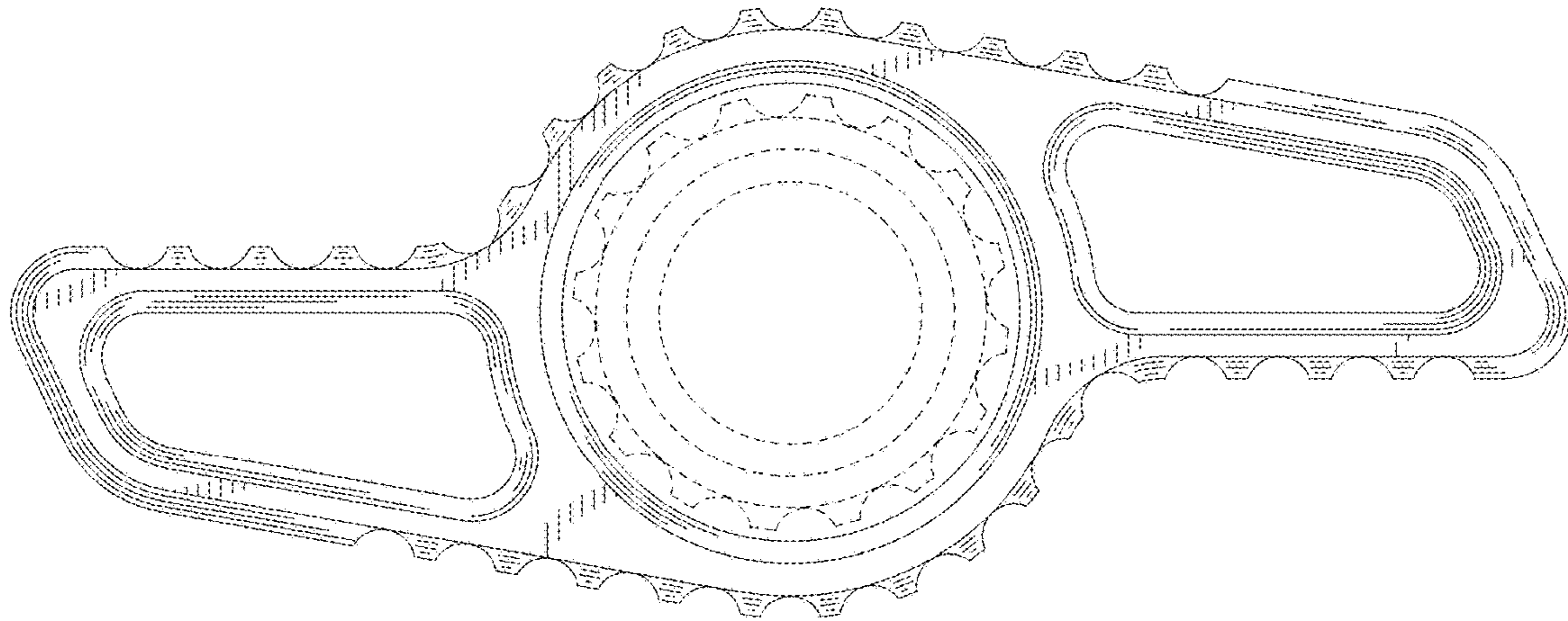


FIG. 3

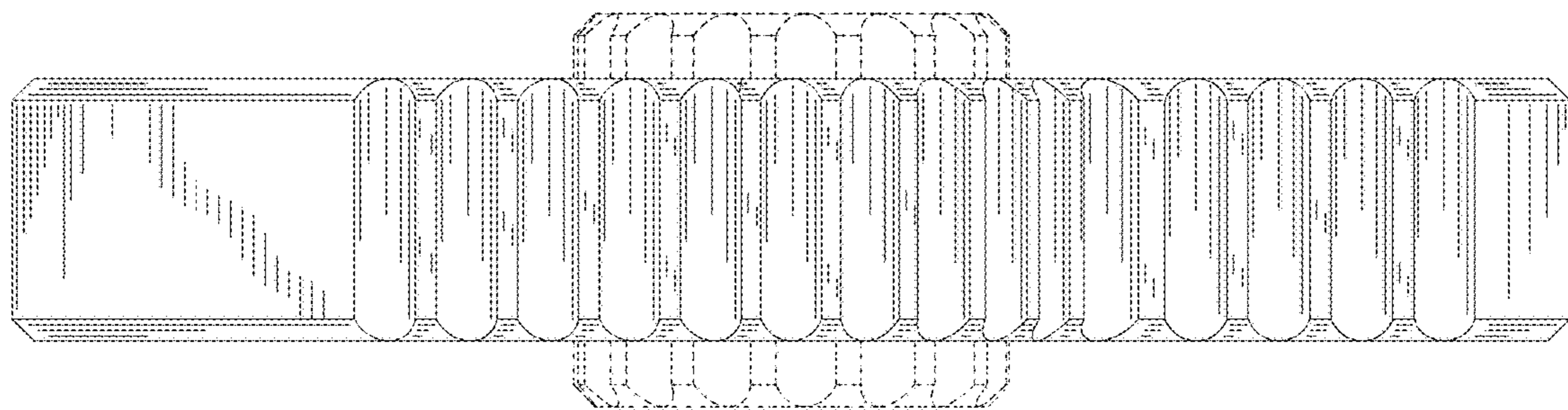


FIG. 4

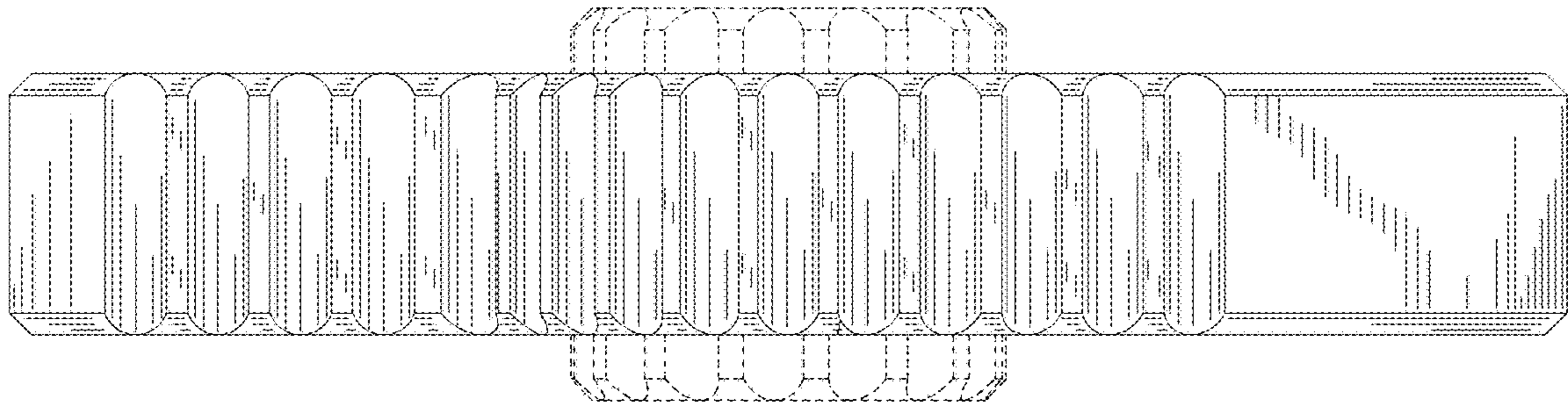


FIG. 5

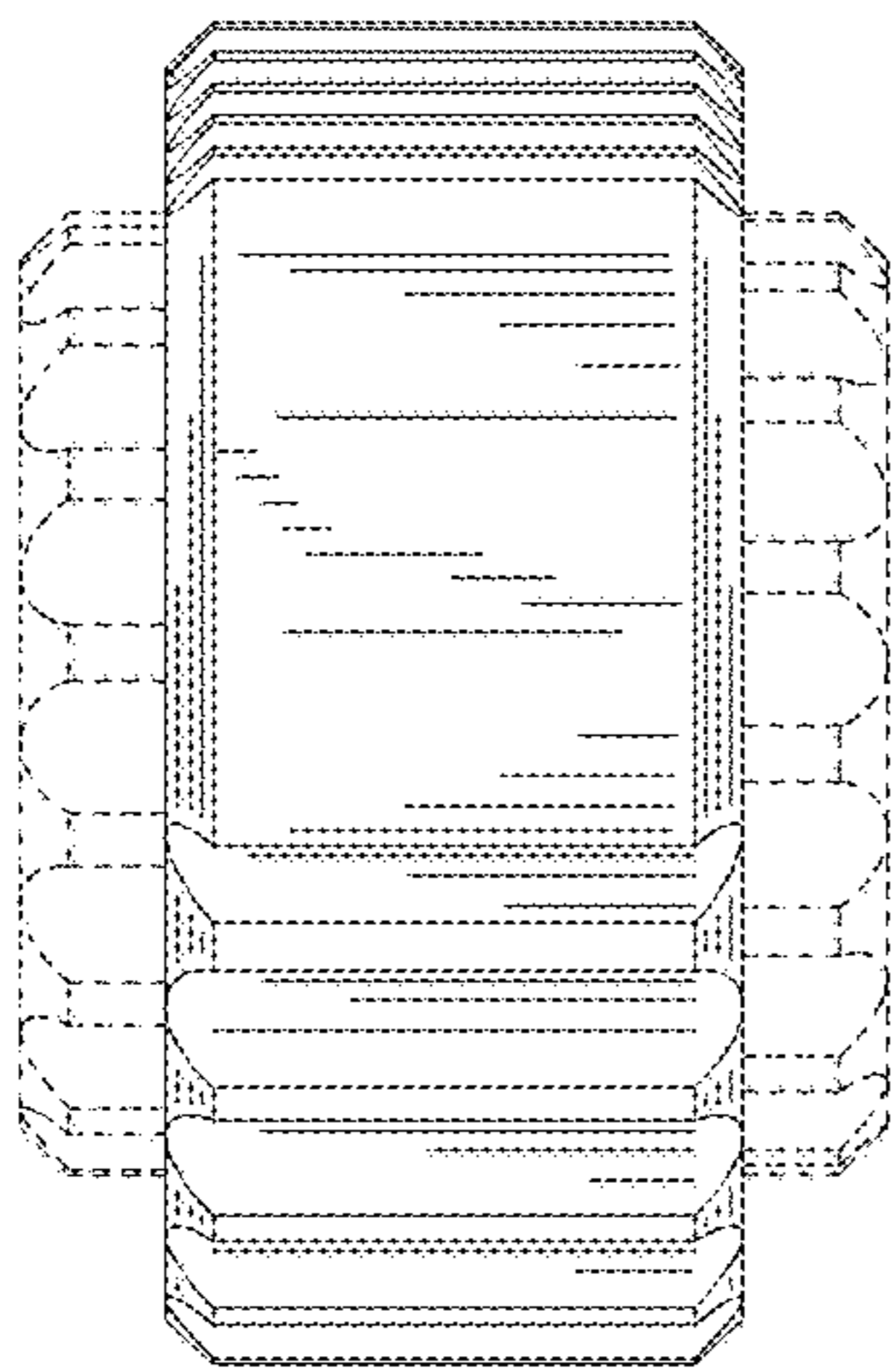


FIG. 6

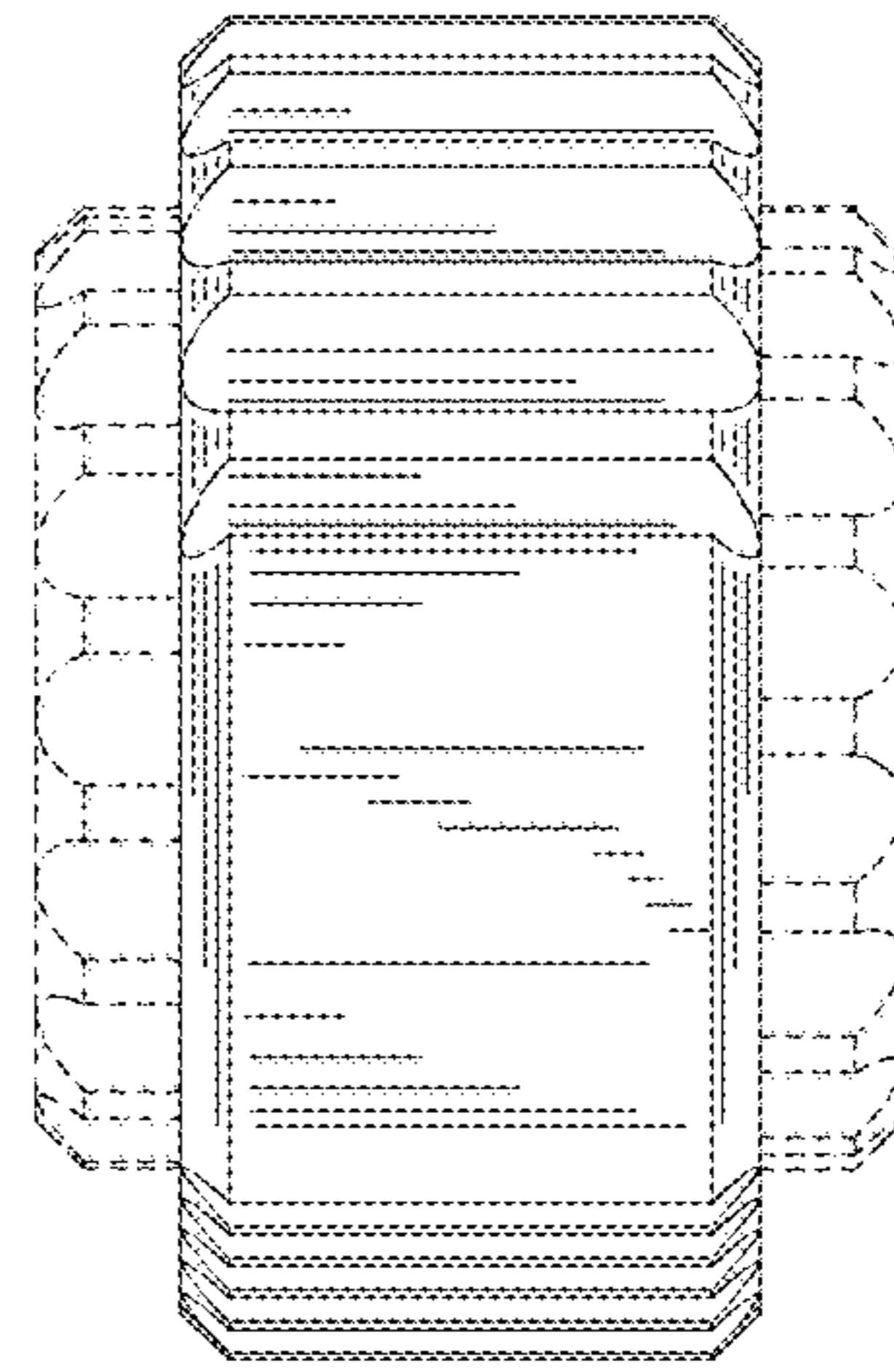


FIG. 7