



US00D818051S

(12) **United States Design Patent**
Langberg et al.

(10) **Patent No.:** **US D818,051 S**

(45) **Date of Patent:** **** *May 15, 2018**

- (54) **ROTARY FLYING TOY**
- (71) Applicants: **Eric Langberg**, Milford, PA (US);
Lana Rascionato, Totowa, NJ (US)
- (72) Inventors: **Eric Langberg**, Milford, PA (US);
Lana Rascionato, Totowa, NJ (US)
- (73) Assignee: **IdeaVillage Products Corporation**,
Wayne, NJ (US)

- 7,037,164 B2 * 5/2006 Silvergate A63H 27/14
124/16
- 7,052,357 B2 * 5/2006 Silvergate A63H 23/12
446/153
- D522,590 S * 6/2006 Wood D21/387
- 7,228,802 B2 * 6/2007 Montefusco F42B 8/16
102/501
- D562,411 S * 2/2008 Jones D21/387
- D599,412 S * 9/2009 Sandman D21/301
- D622,325 S * 8/2010 Walterscheid D21/387
- D627,010 S * 11/2010 Routzong D21/452
- 7,874,947 B1 * 1/2011 Wolfenbarger A63H 33/18
473/578

(*) Notice: This patent is subject to a terminal disclaimer.

(Continued)

(**) Term: **15 Years**

OTHER PUBLICATIONS

(21) Appl. No.: **29/620,606**

Rocket Copters by As Seen on TV. dated Apr. 2016. found online on Amazon on [Sep. 22, 2017] https://www.amazon.com/Rocket-Copters-LED-Helicopters-As-Seen-TV/dp/B01C57GC66/ref=cm_cr_arp_d_product_top?ie=UTF8.*

(22) Filed: **Mar. 13, 2017**

Related U.S. Application Data

(63) Continuation-in-part of application No. 29/505,827, filed on Feb. 29, 2016.

Primary Examiner — Brandon M Rosati

Assistant Examiner — Marissa J Cash

(74) *Attorney, Agent, or Firm* — Dan DeLaRosa

(51) **LOC (11) Cl.** **21-01**

(52) **U.S. Cl.**
USPC **D21/436**; D21/455

(57) **CLAIM**

The ornamental design for a rotary flying toy, as shown and described.

(58) **Field of Classification Search**
USPC D12/16.1, 305, 319, 326, 327, 328, 329,
D12/339, 344, 345, 214; D21/436, 441,
D21/442, 450, 453, 454, 301, 570;
D23/370, 371, 411
CPC B64C 1/069; B64C 1/06; B64C 27/32
See application file for complete search history.

DESCRIPTION

FIG. 1 is a front perspective view of the rotary flying toy of the present invention showing my new design and an opened compartment;

FIG. 2 is front side elevational view thereof;

FIG. 3 is a back side elevational view thereof;

FIG. 4 is a side elevational view thereof;

FIG. 5 is another side elevational view thereof

FIG. 6 is a top plan view thereof; and,

FIG. 7 is a bottom plan view thereof.

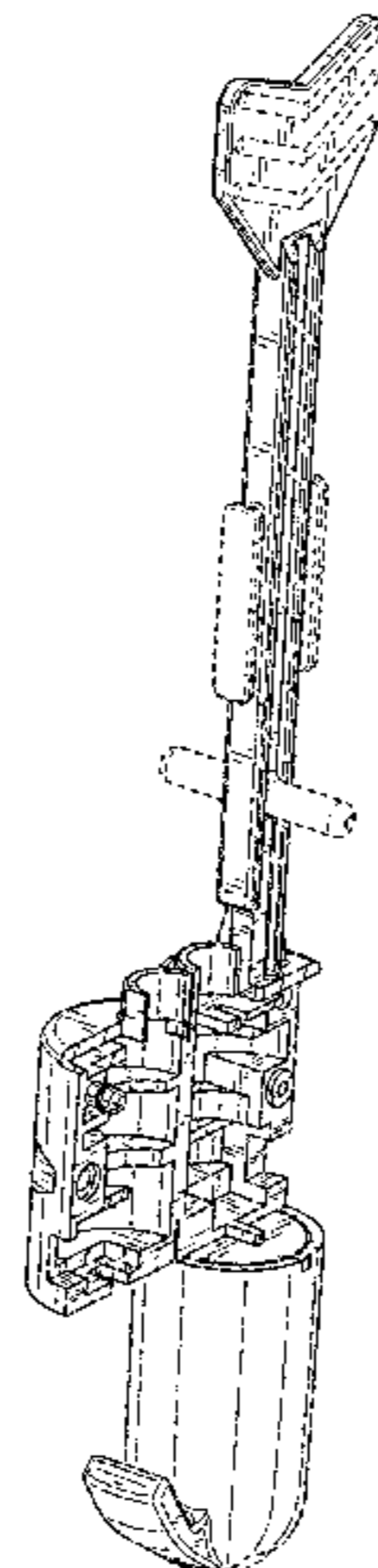
In the drawings, the broken lines depict environmental subject matter and form no part of the claimed design.

(56) **References Cited**

U.S. PATENT DOCUMENTS

- 2,611,999 A * 9/1952 Mikolay F42B 8/22
446/400
- 6,220,918 B1 * 4/2001 Laronge A63B 65/00
244/3.24
- 6,669,587 B2 * 12/2003 Kessler A63B 43/002
473/570

1 Claim, 6 Drawing Sheets



(56)

References Cited

U.S. PATENT DOCUMENTS

8,348,789	B1 *	1/2013	Walterscheid	F42B 6/003 473/578
D679,340	S *	4/2013	Genovese	D12/16.1
D692,504	S *	10/2013	Williams	D21/387
D698,872	S *	2/2014	Cummings	D21/387
D724,675	S *	3/2015	Goitein	D21/453
9,310,171	B2 *	4/2016	Cummings	F42B 6/02
D759,164	S *	6/2016	Bei	D21/454
9,746,293	B2 *	8/2017	Cummings	F42B 6/06
2002/0098768	A1 *	7/2002	Kuo	A63H 27/12 446/39
2008/0125002	A1 *	5/2008	Goitein	A63H 27/00 446/57
2009/0229921	A1 *	9/2009	Sink	A63H 27/02 185/39
2014/0256479	A1 *	9/2014	Bynum, Jr.	F42B 6/08 473/470
2014/0338647	A1 *	11/2014	Cummings	F41B 7/08 124/20.3
2015/0204634	A1 *	7/2015	Cummings	F41B 7/08 124/20.1

* cited by examiner

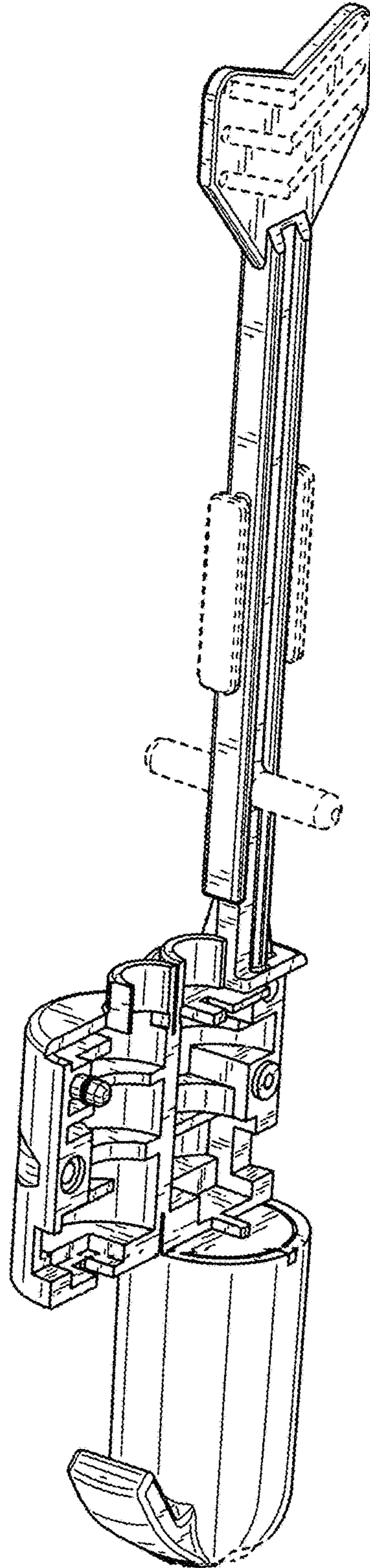


FIG. 1

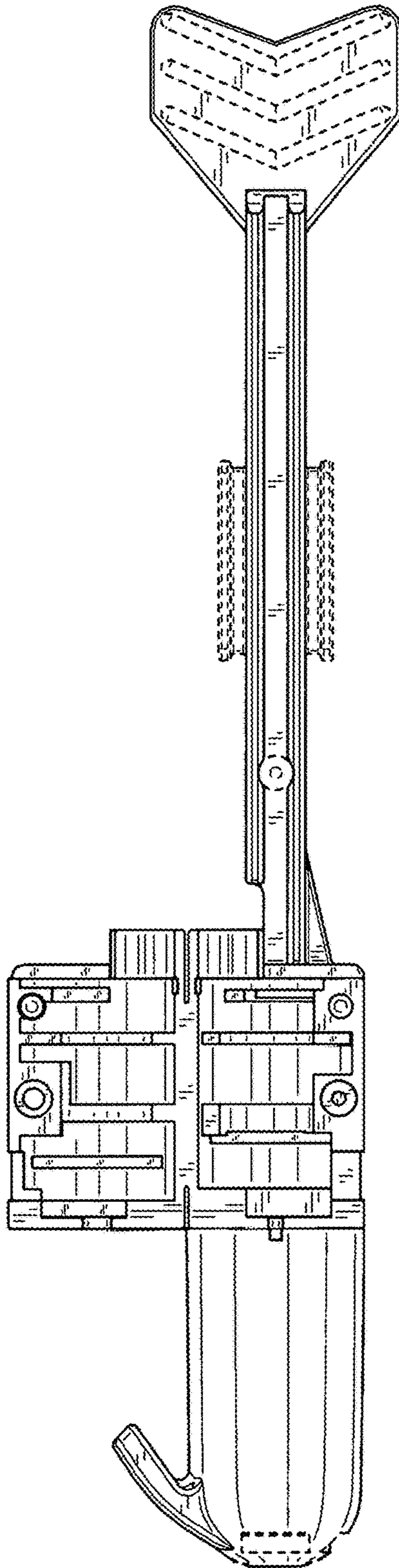


FIG. 2

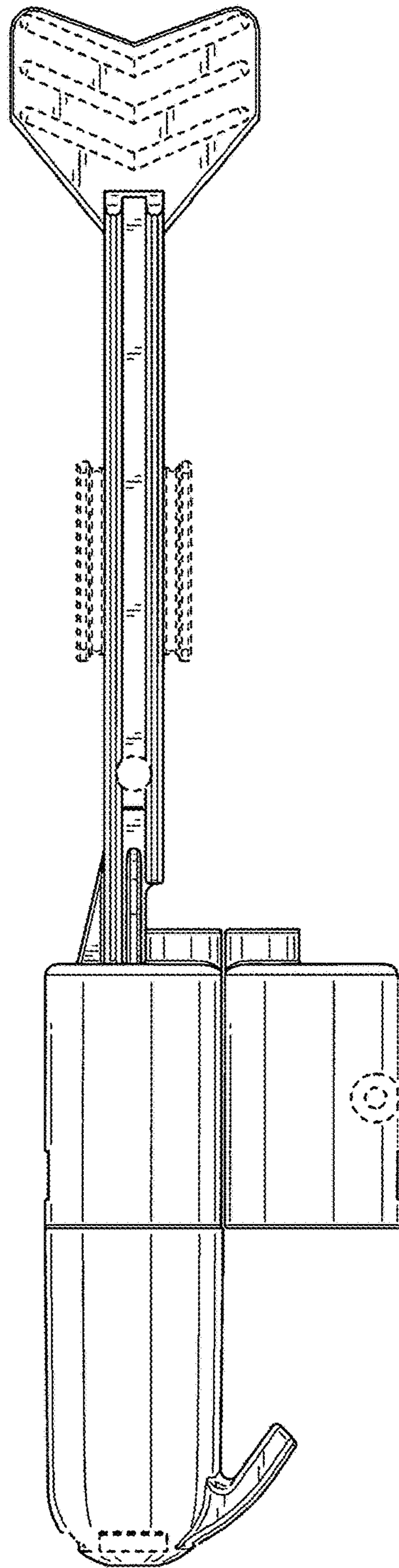


FIG. 3

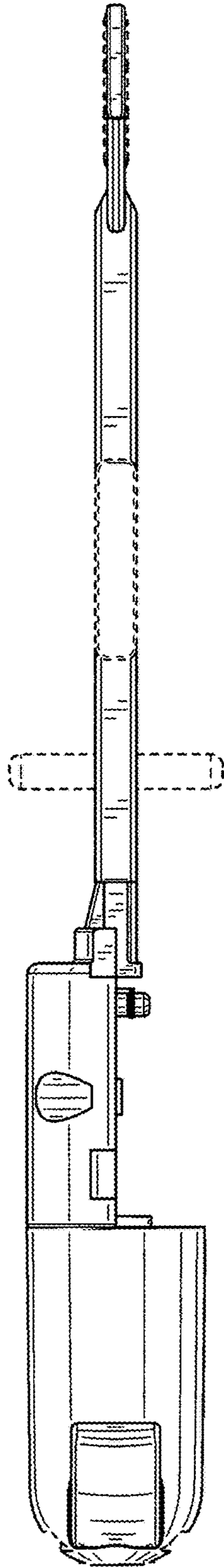


FIG. 4

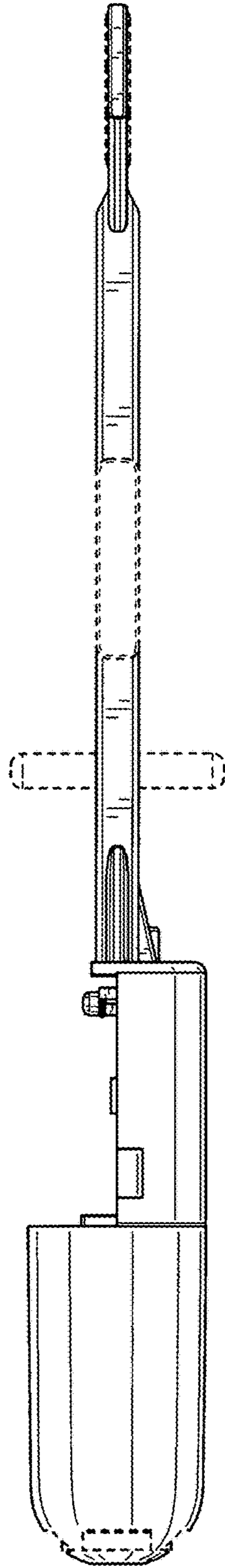


FIG. 5

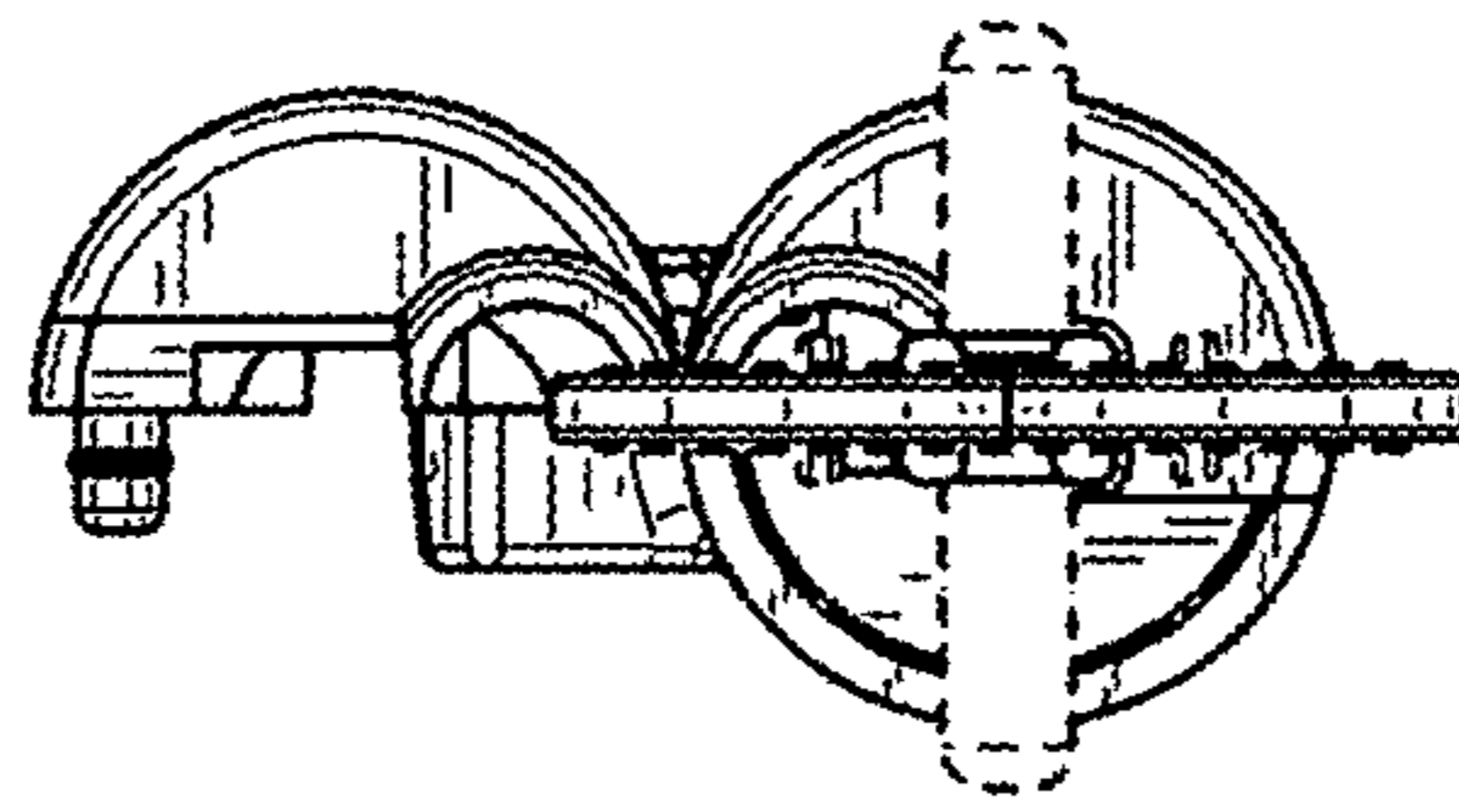


FIG. 6

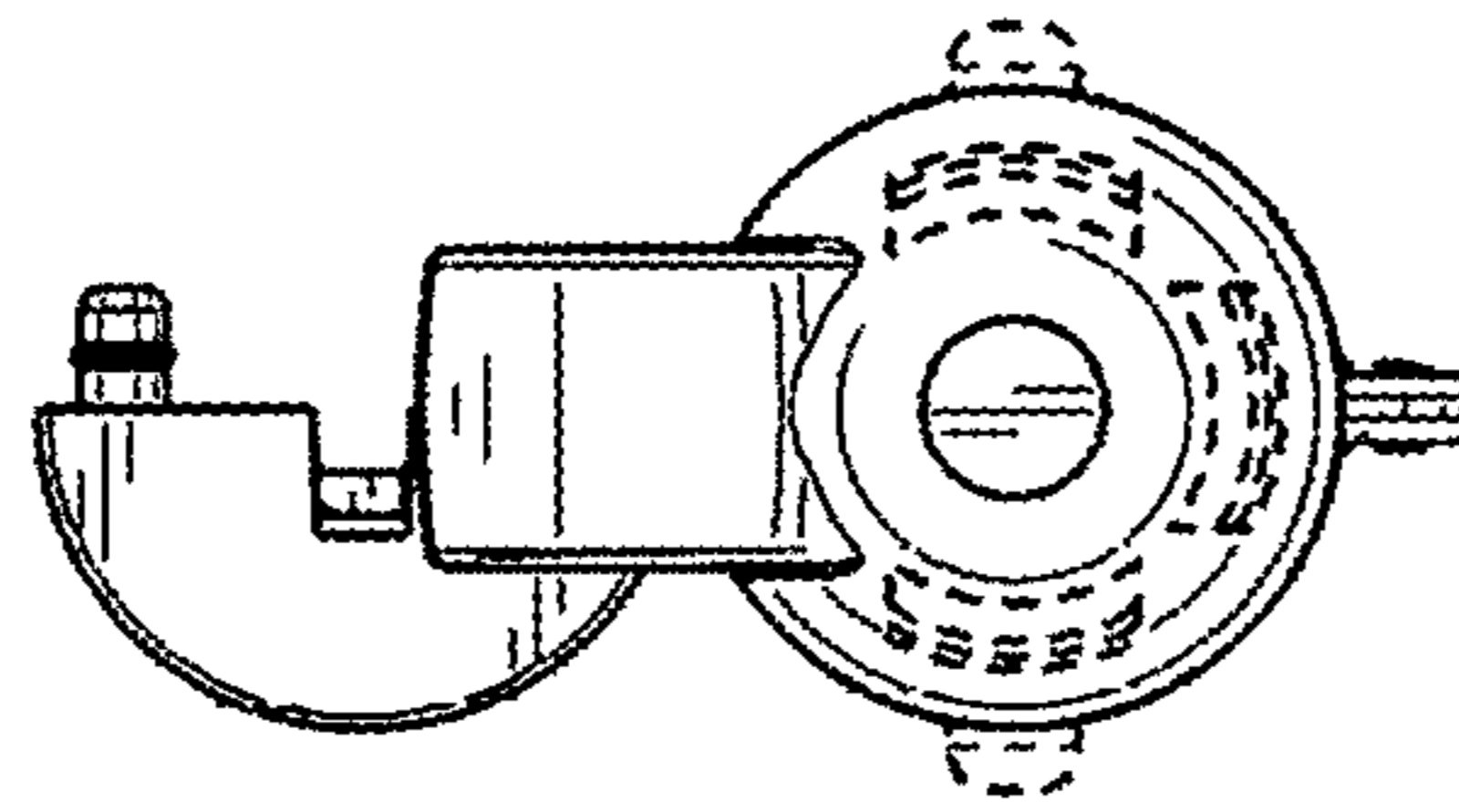


FIG. 7