



US00D818050S

(12) **United States Design Patent**  
**Langberg et al.**

(10) **Patent No.: US D818,050 S**

(45) **Date of Patent: \*\* \*May 15, 2018**

- (54) **ROTARY FLYING TOY**
- (71) Applicants: **Eric Langberg**, Milford, PA (US);  
**Lana Rascionato**, Totowa, NJ (US)
- (72) Inventors: **Eric Langberg**, Milford, PA (US);  
**Lana Rascionato**, Totowa, NJ (US)
- (73) Assignee: **IdeaVillage Products Corporation**,  
Wayne, NJ (US)
- (\*) Notice: This patent is subject to a terminal disclaimer.
- (\*\*) Term: **15 Years**

7,037,164	B2 *	5/2006	Silvergate .....	A63H 27/14 124/16
7,052,357	B2 *	5/2006	Silvergate .....	A63H 23/12 446/153
D522,590	S *	6/2006	Wood .....	D21/387
7,228,802	B2 *	6/2007	Montefusco .....	F42B 8/16 102/501
D562,411	S *	2/2008	Jones .....	D21/387
D599,412	S *	9/2009	Sandman .....	D21/301
D622,325	S *	8/2010	Walterscheid .....	D21/387
D627,010	S *	11/2010	Routzong .....	D21/452
7,874,947	B1 *	1/2011	Wolfenbarger .....	A63H 33/18 473/578
8,348,789	B1 *	1/2013	Walterscheid .....	F42B 6/003 473/578

(Continued)

- (21) Appl. No.: **29/620,605**
- (22) Filed: **Mar. 13, 2017**

**Related U.S. Application Data**

- (63) Continuation-in-part of application No. 29/505,826,  
filed on Feb. 29, 2016.
- (51) **LOC (11) Cl.** ..... **21-01**
- (52) **U.S. Cl.**  
USPC ..... **D21/436**
- (58) **Field of Classification Search**  
USPC ..... D12/16.1, 305, 319, 326, 327, 328, 329,  
D12/339, 344, 345, 214; D21/436, 441,  
D21/442, 450, 453, 454, 301, 570;  
D23/370, 371, 411  
CPC ..... B64C 1/069; B64C 1/06; B64C 27/32  
See application file for complete search history.

(56) **References Cited**

**U.S. PATENT DOCUMENTS**

2,611,999	A *	9/1952	Mikolay .....	F42B 8/22 446/400
6,220,918	B1 *	4/2001	Laronge .....	A63B 65/00 244/3.24
6,669,587	B2 *	12/2003	Kessler .....	A63B 43/002 473/570

**OTHER PUBLICATIONS**

Rocket Copters by As Seen on TV. dated Apr. 2016. found online on Amazon on [Sep. 22, 2017] [https://www.amazon.com/Rocket-Copters-LED-Helicopters-As-Seen-TV/dp/B01C57GC66/ref=cm\\_cr\\_arp\\_d\\_product\\_top?ie=UTF8](https://www.amazon.com/Rocket-Copters-LED-Helicopters-As-Seen-TV/dp/B01C57GC66/ref=cm_cr_arp_d_product_top?ie=UTF8).\*

*Primary Examiner* — Brandon M Rosati

*Assistant Examiner* — Marissa J Cash

(74) *Attorney, Agent, or Firm* — Dan DeLaRosa

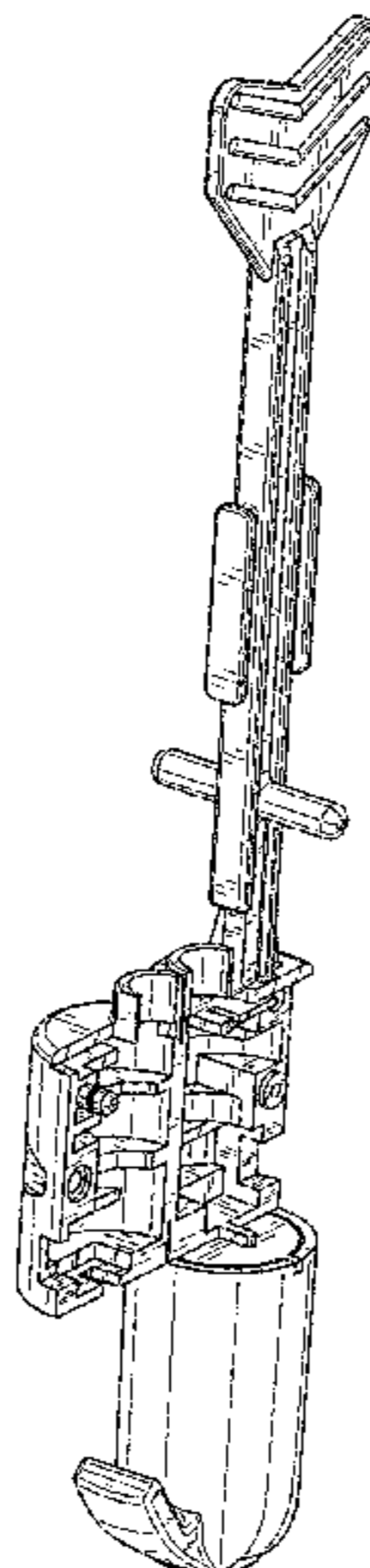
(57) **CLAIM**

The ornamental design for a rotary flying toy, as shown and described.

**DESCRIPTION**

FIG. 1 is a front perspective view of the rotary flying toy of the present invention showing my new design and an opened compartment;  
FIG. 2 is front side elevational view thereof;  
FIG. 3 is a back side elevational view thereof;  
FIG. 4 is a side elevational view thereof;  
FIG. 5 is another side elevational view thereof  
FIG. 6 is a top plan view thereof; and,  
FIG. 7 is a bottom plan view thereof.

**1 Claim, 6 Drawing Sheets**



(56)

**References Cited**

U.S. PATENT DOCUMENTS

D679,340	S *	4/2013	Genovese	.....	D12/16.1
D692,504	S *	10/2013	Williams	.....	D21/387
D698,872	S *	2/2014	Cummings	.....	D21/387
D724,675	S *	3/2015	Goitein	.....	D21/453
9,310,171	B2 *	4/2016	Cummings	.....	F42B 6/02
D759,164	S *	6/2016	Bei	.....	D21/454
9,746,293	B2 *	8/2017	Cummings	.....	F42B 6/06
2002/0098768	A1 *	7/2002	Kuo	.....	A63H 27/12 446/39
2008/0125002	A1 *	5/2008	Goitein	.....	A63H 27/00 446/57
2009/0229921	A1 *	9/2009	Sink	.....	A63H 27/02 185/39
2014/0256479	A1 *	9/2014	Bynum, Jr.	.....	F42B 6/08 473/470
2014/0338647	A1 *	11/2014	Cummings	.....	F41B 7/08 124/20.3
2015/0204634	A1 *	7/2015	Cummings	.....	F41B 7/08 124/20.1

\* cited by examiner

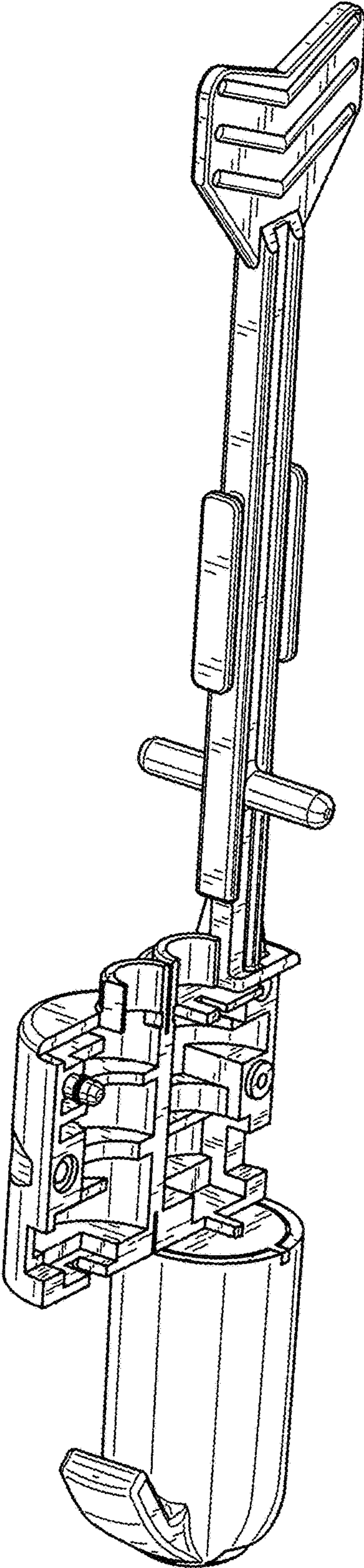


FIG. 1

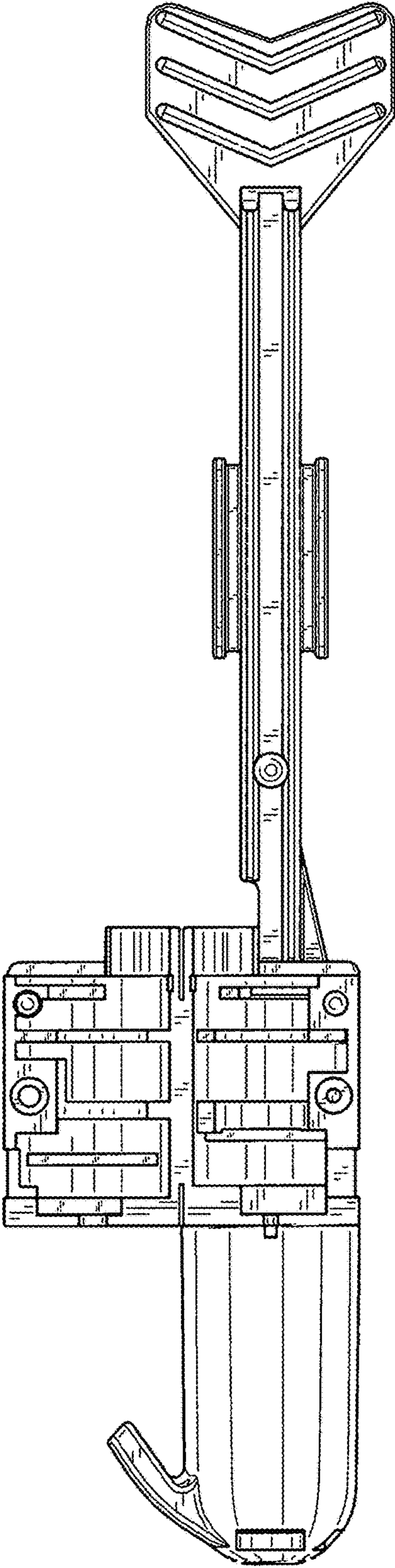


FIG. 2

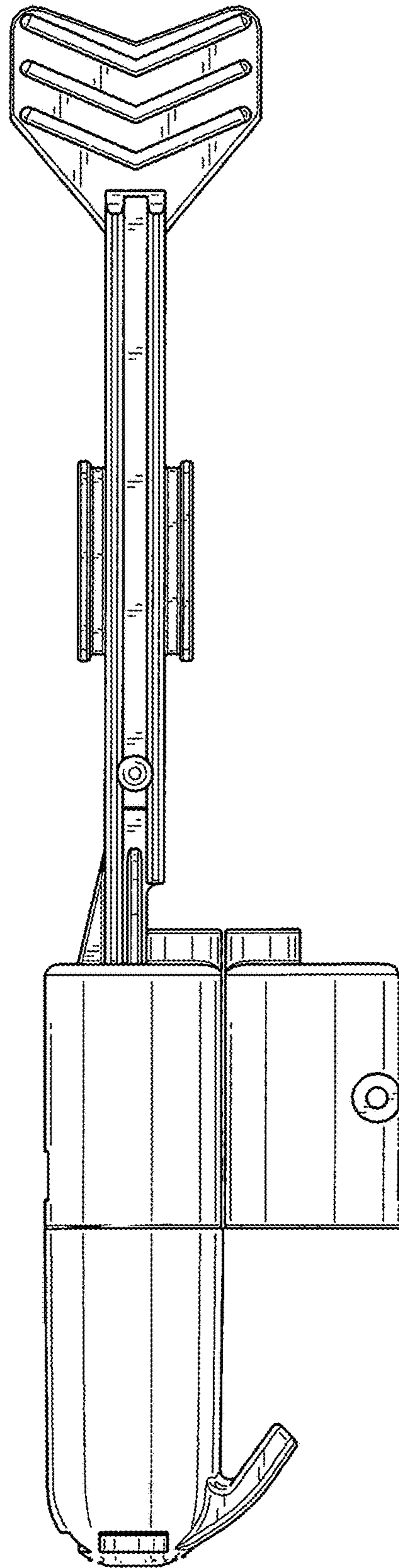


FIG. 3

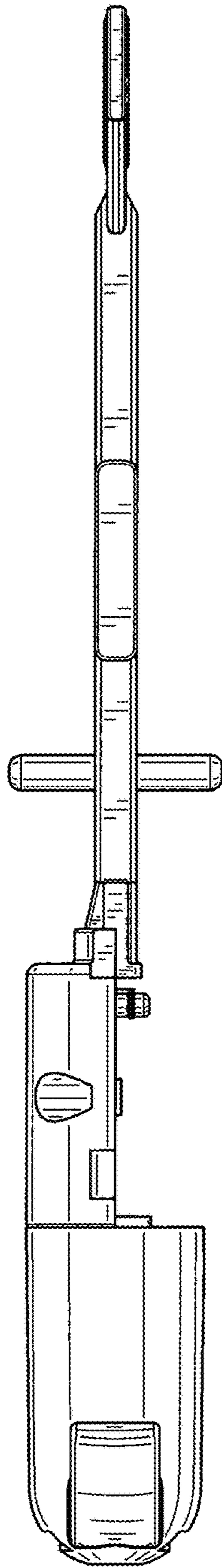


FIG. 4

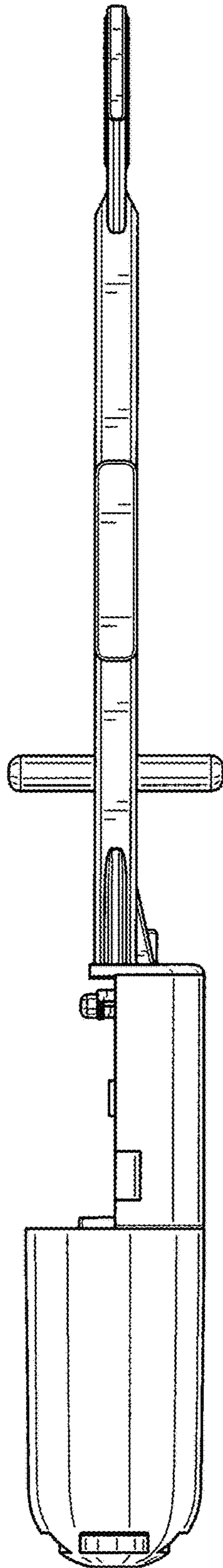


FIG. 5

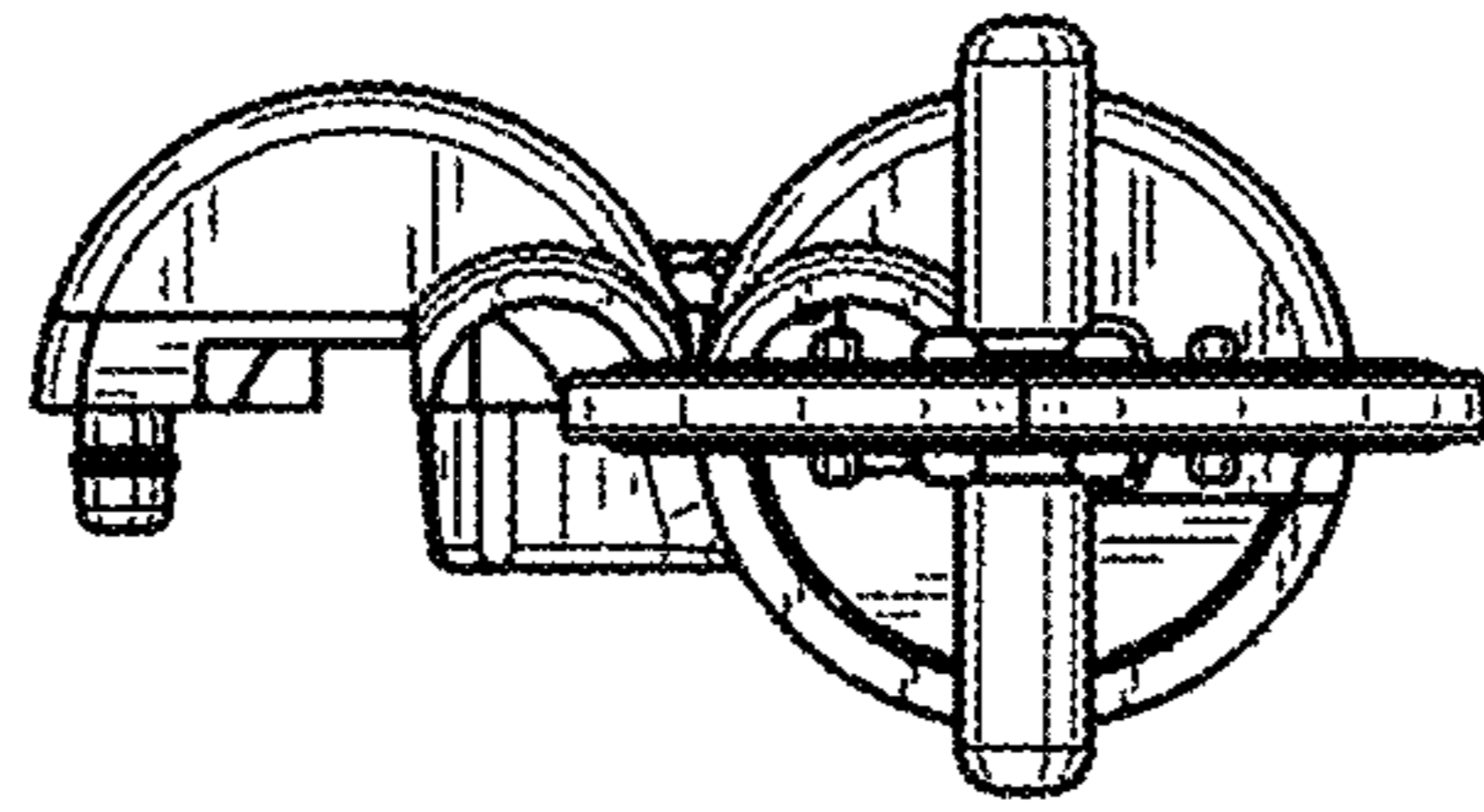


FIG. 6

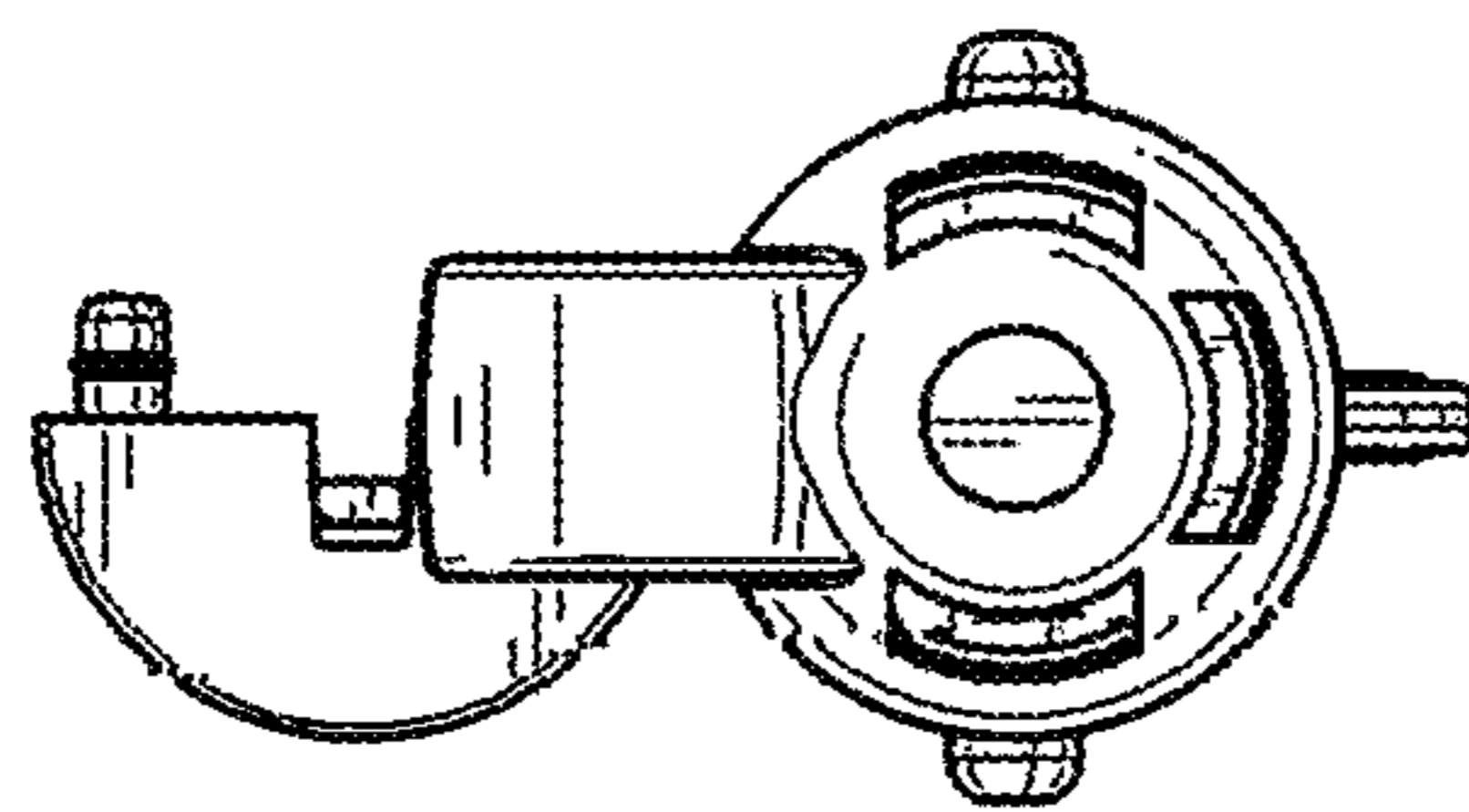


FIG. 7