



US00D818049S

(12) **United States Design Patent**  
**Yang**

(10) **Patent No.:** **US D818,049 S**

(45) **Date of Patent:** **\*\* May 15, 2018**

(54) **ELECTRIC BALANCE SCOOTER**

(56) **References Cited**

(71) Applicant: **Zhejiang Raymond Way Electronic Technology Co., Ltd**, Wuyi, Zhejiang (CN)

U.S. PATENT DOCUMENTS

(72) Inventor: **Zhijun Yang**, Guangdong (CN)

D779,375	S	*	2/2017	Zeng	.....	D12/1
9,604,692	B1	*	3/2017	Kim	.....	B62K 23/08
D785,736	S	*	5/2017	Ying	.....	D21/760
2017/0088211	A1	*	3/2017	Jiang	.....	B62K 3/007
2017/0106931	A1	*	4/2017	Wood	.....	B62K 11/007
2017/0217489	A1	*	8/2017	Ying	.....	B62D 11/003

(73) Assignee: **Zhejiang Raymond Way Electronic Technology Co., Ltd**, Wuyi (CN)

\* cited by examiner

(\*\*) Term: **15 Years**

*Primary Examiner* — Cynthia M Chin

(21) Appl. No.: **29/591,874**

(57) **CLAIM**

(22) Filed: **Jan. 25, 2017**

The ornamental design for an electric balance scooter, as shown and described.

(30) **Foreign Application Priority Data**

**DESCRIPTION**

Jul. 28, 2016 (CN) ..... 2016 3 0352592

(51) **LOC (11) Cl.** ..... **21-01**

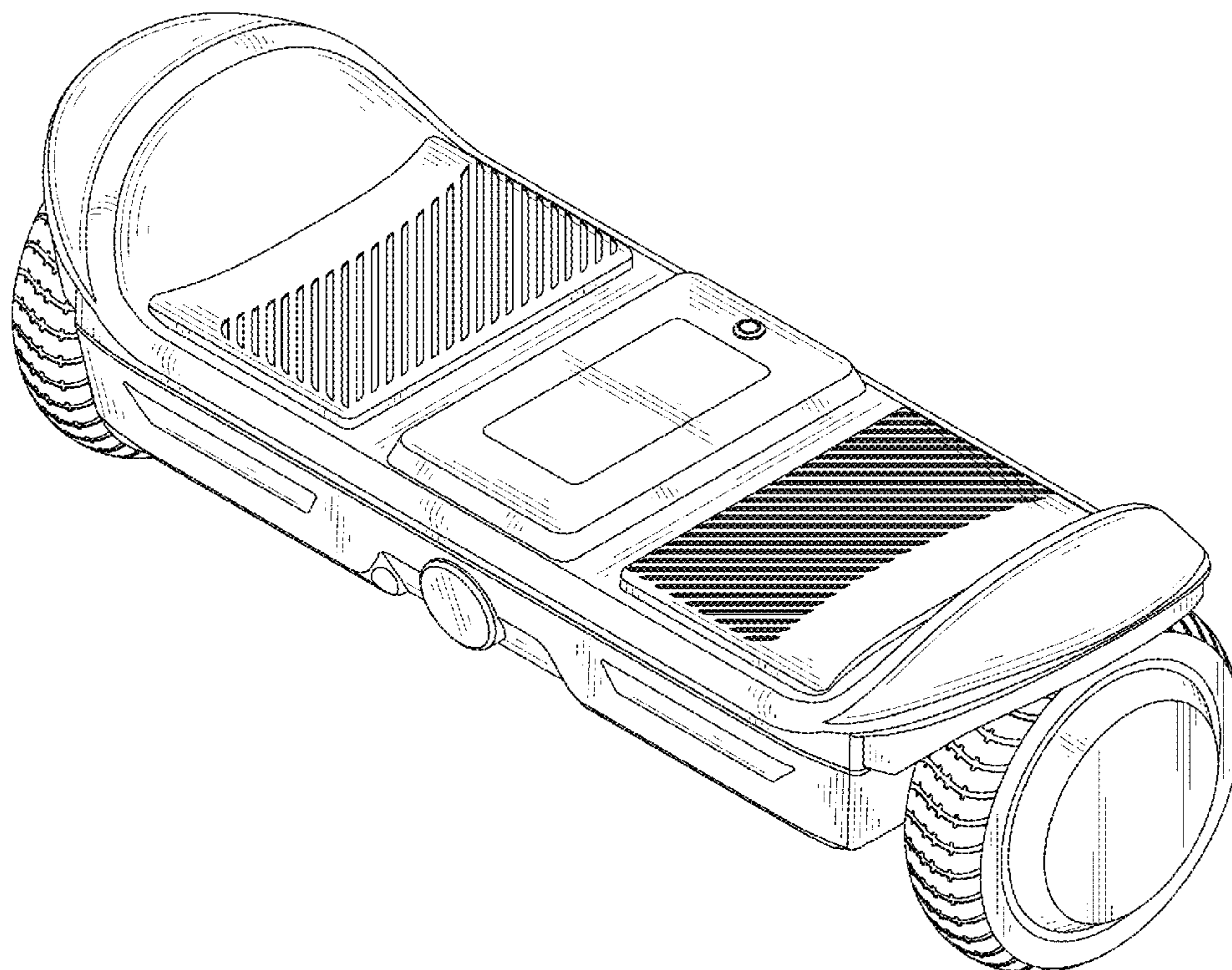
FIG. 1 is a front elevational view of an electric balance scooter showing my new design;  
FIG. 2 is a rear elevational view thereof;  
FIG. 3 is a left side view thereof;  
FIG. 4 is a right side view thereof;  
FIG. 5 is a top plan view thereof;  
FIG. 6 is a bottom plan view thereof;  
FIG. 7 is a first perspective view thereof; and,  
FIG. 8 is a second perspective view thereof.

(52) **U.S. Cl.**  
USPC ..... **D21/421**; D21/760

(58) **Field of Classification Search**  
USPC ..... D21/419, 421, 423, 424, 432, 760, 765;  
D12/1  
CPC .... B62K 3/002; B62K 3/007; B62K 2202/00;  
B62K 11/00; B62K 11/007; B62K  
2204/00; B62K 21/005; B62D 51/02;  
B62D 51/005; B62D 37/00

See application file for complete search history.

**1 Claim, 8 Drawing Sheets**



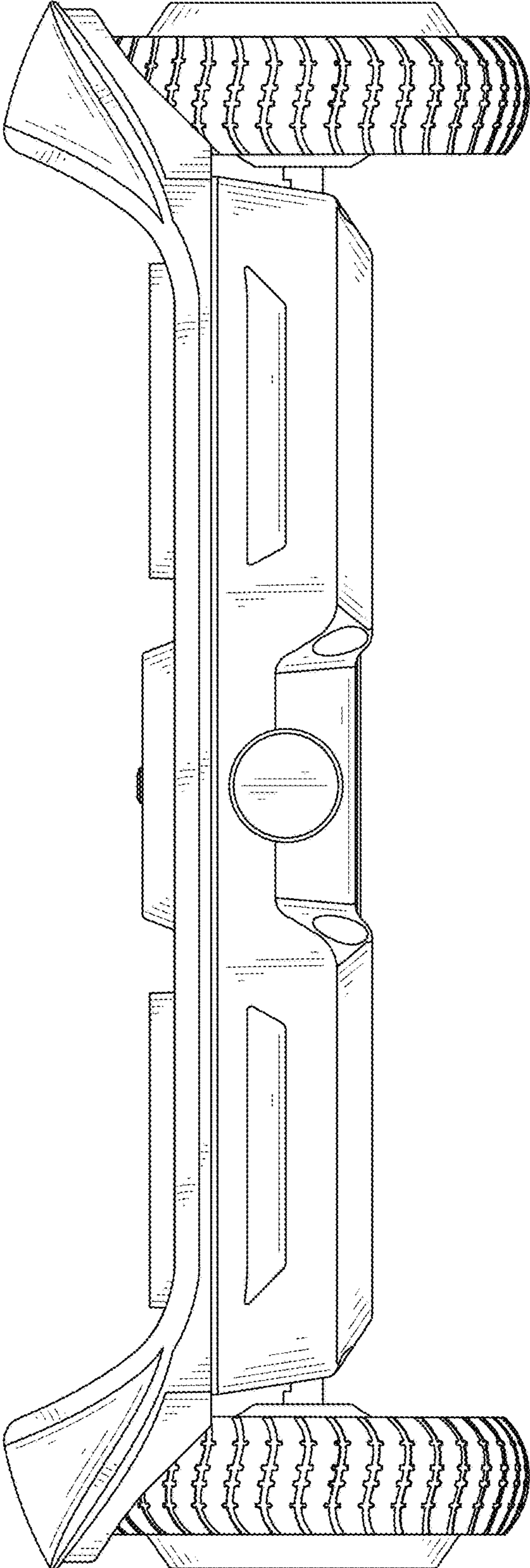


Fig. 1

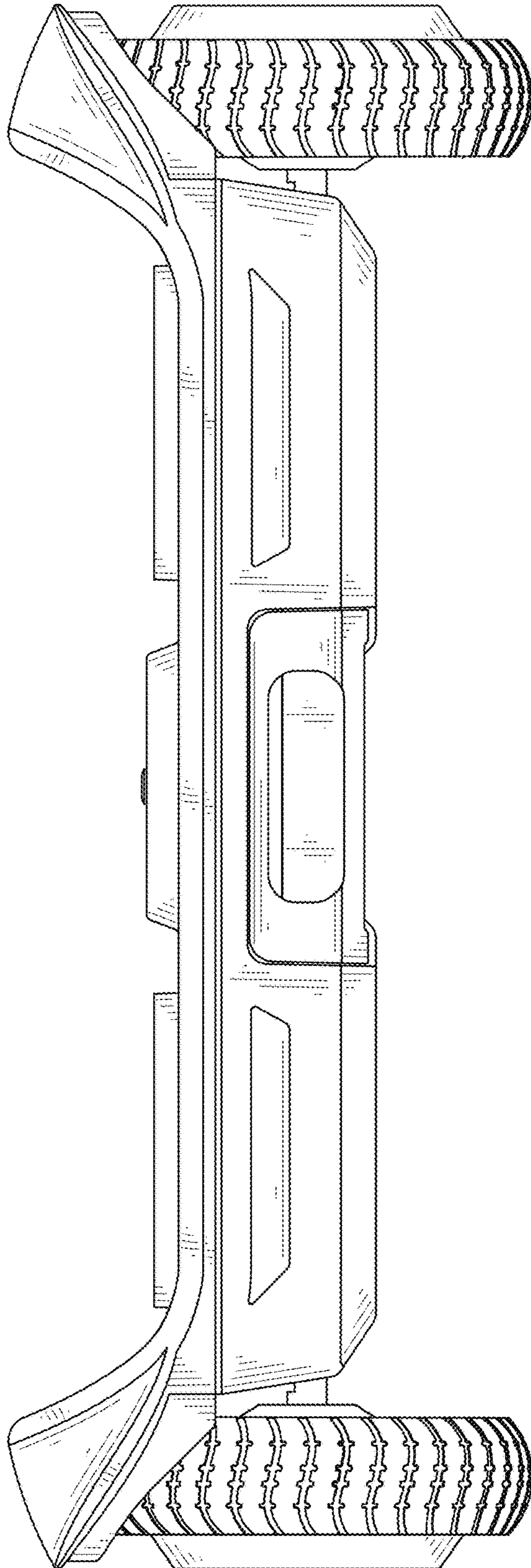


Fig. 2

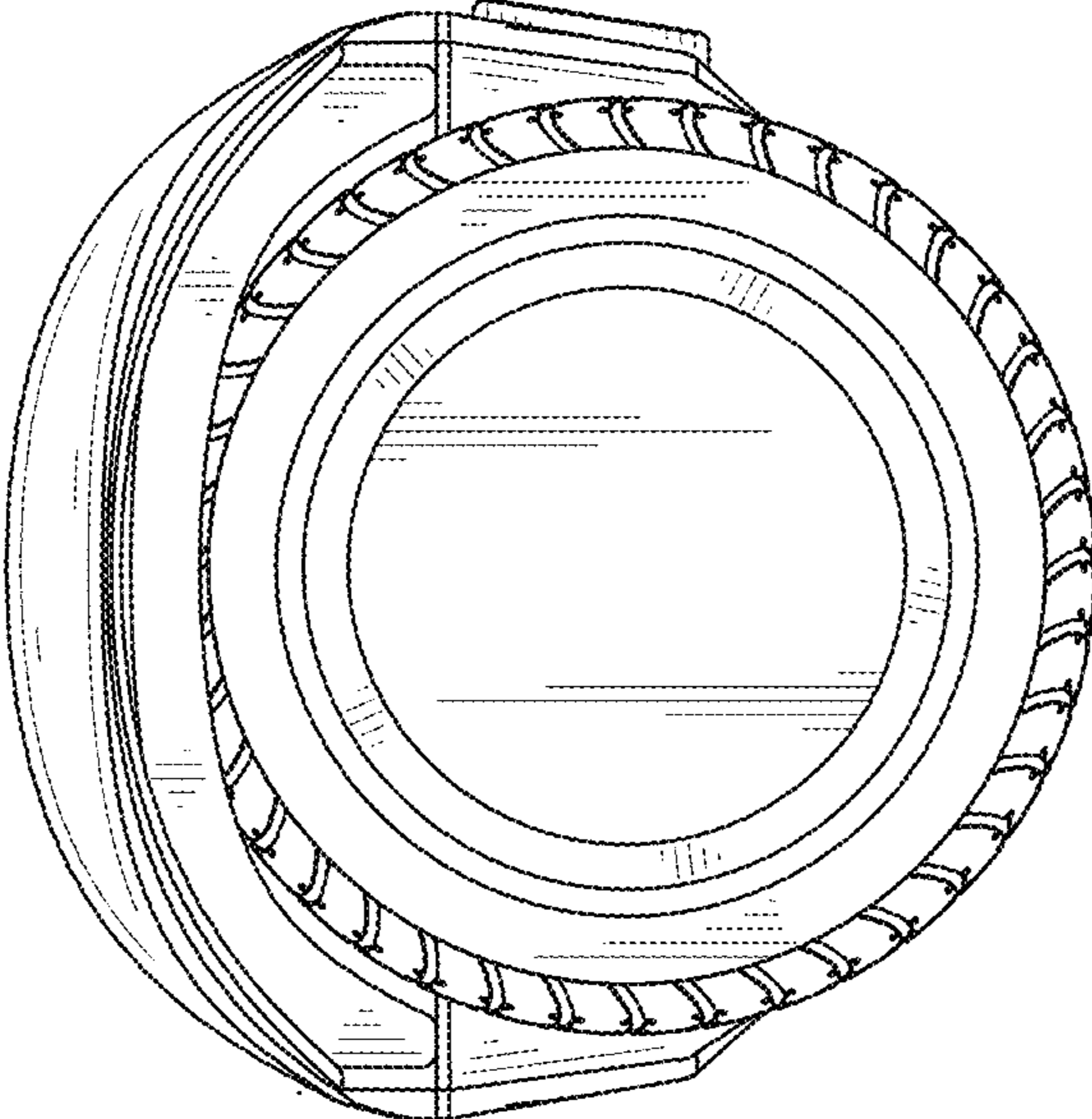


Fig. 3

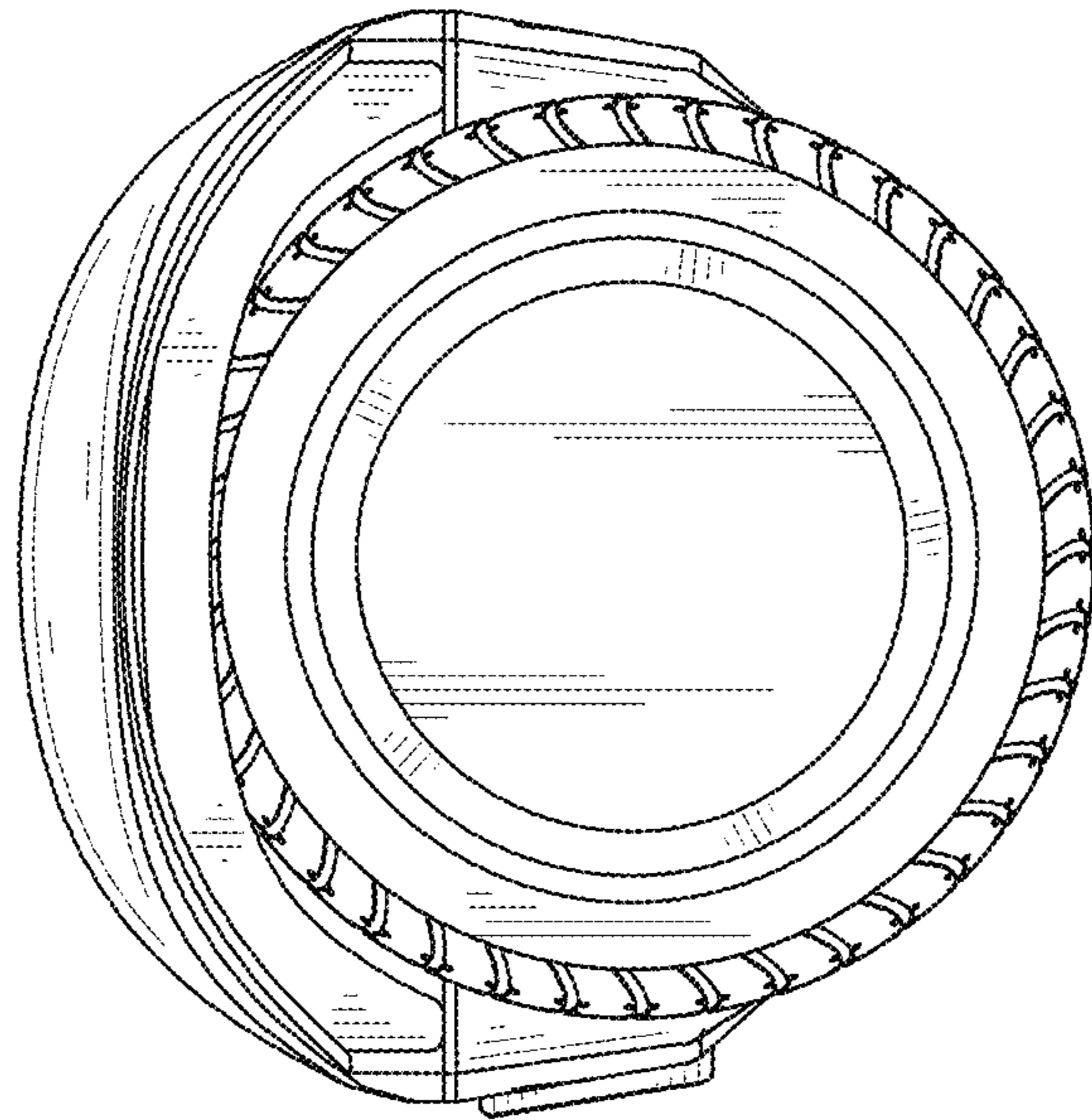


Fig. 4

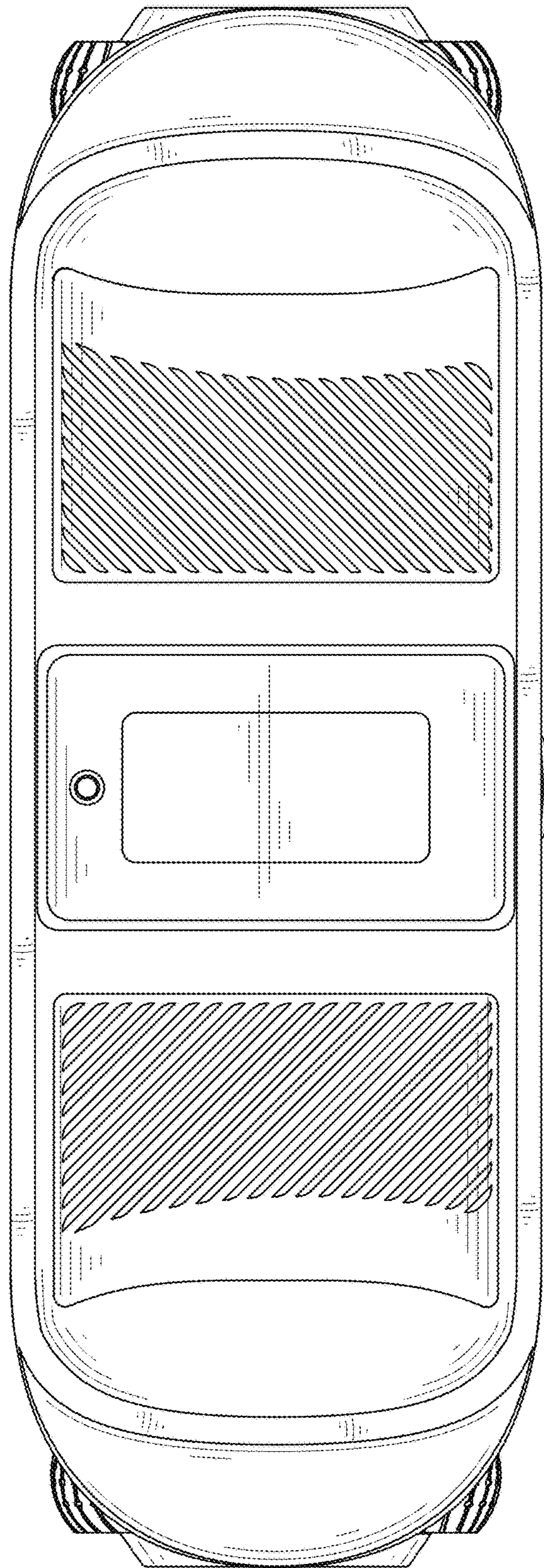


Fig. 5

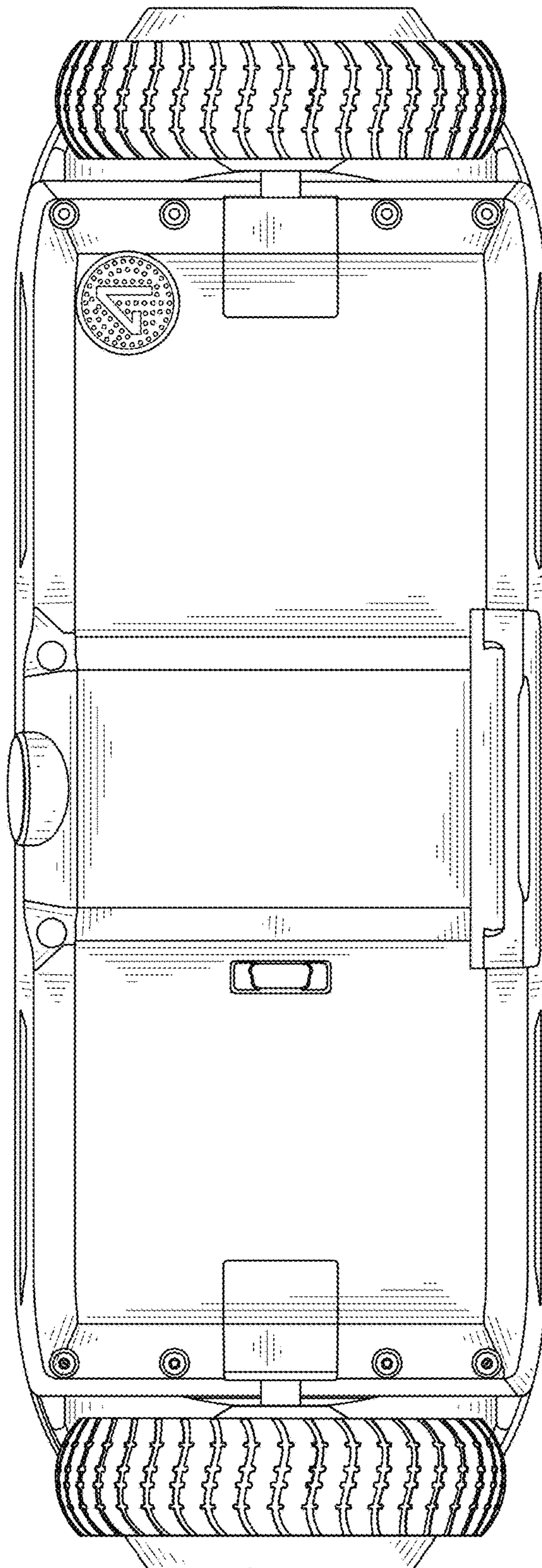


Fig. 6

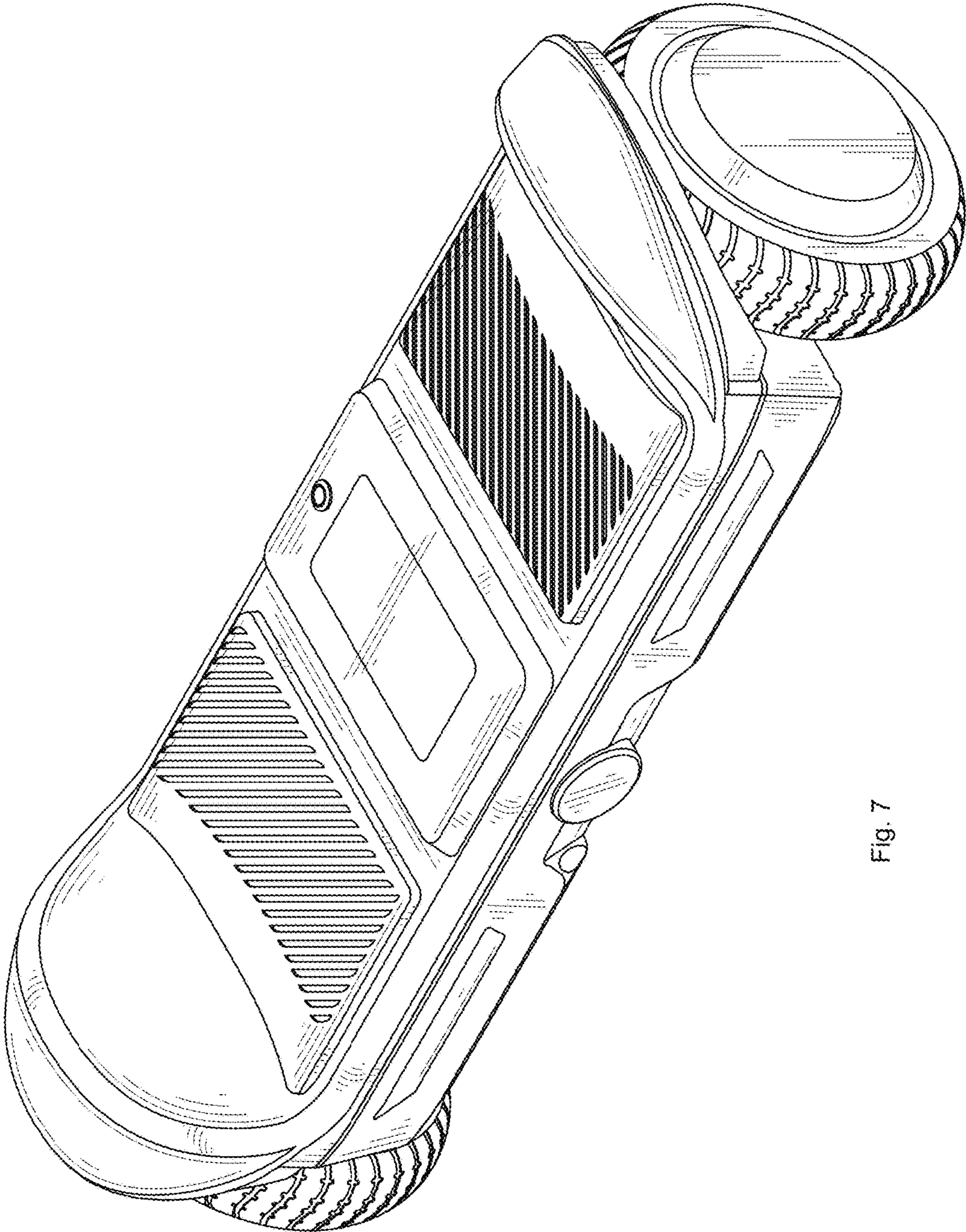


Fig. 7



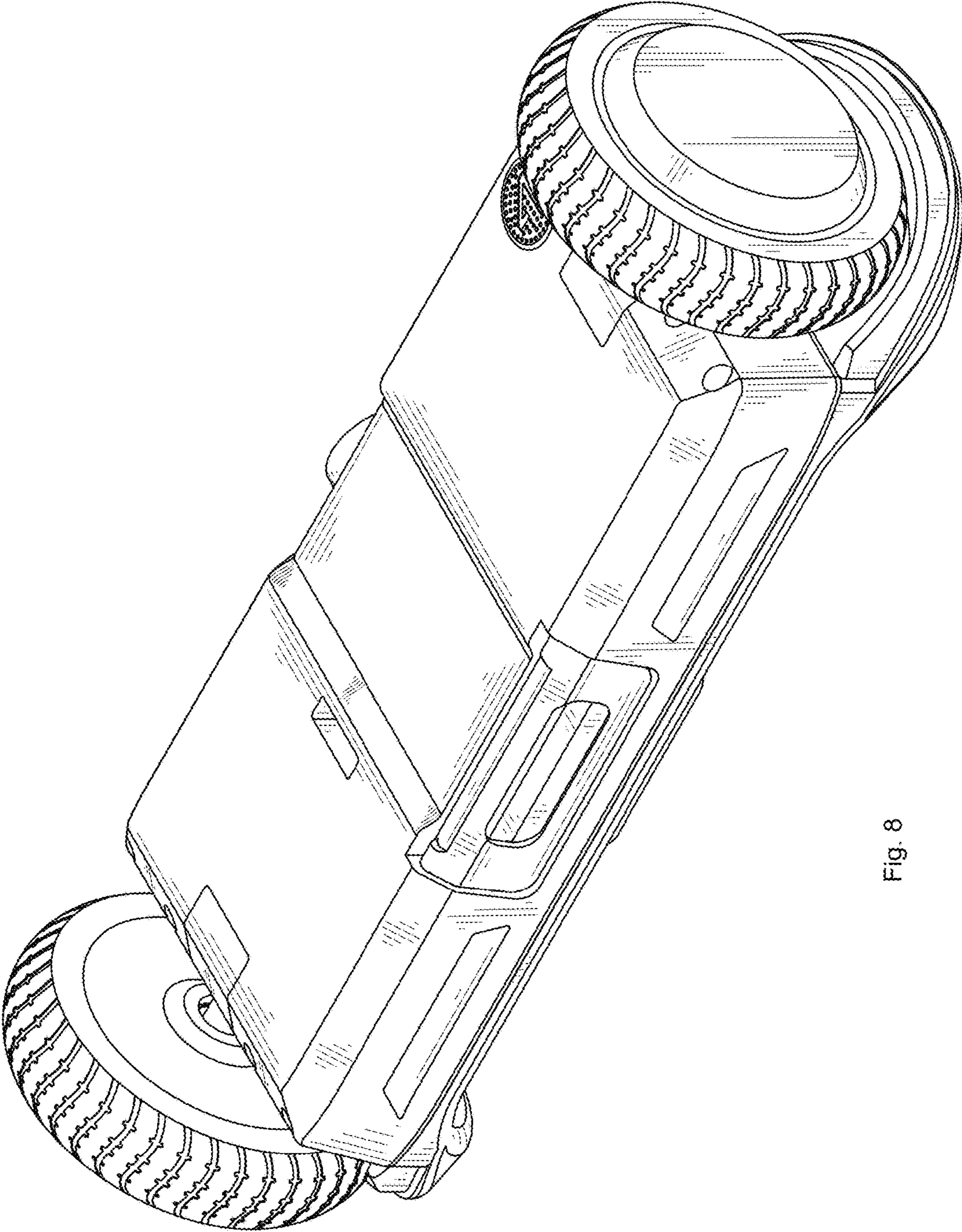


Fig. 8