



US00D818048S

(12) **United States Design Patent** (10) **Patent No.:** **US D818,048 S**
Calhoun et al. (45) **Date of Patent:** **** May 15, 2018**

(54) **GAMING MACHINE**
(71) Applicant: **Cadillac Jack, Inc.**, Duluth, GA (US)
(72) Inventors: **Rachel Marie Calhoun**, Atlanta, GA (US); **Karl Frederick Zedell, Jr.**, Alpharetta, GA (US); **Sigmund Lee**, Atlanta, GA (US)

5,113,990 A 5/1992 Gabrius et al.
D333,164 S 2/1993 Kraft et al.
5,302,965 A 4/1994 Belcher et al.
5,381,502 A 1/1995 Veligdan
5,521,587 A 5/1996 Sawabe et al.
D373,809 S 9/1996 Hirato
5,561,346 A 10/1996 Byrne
D380,014 S 6/1997 Yang

(Continued)

(73) Assignee: **AGS LLC**, Las Vegas, NV (US)

OTHER PUBLICATIONS

(**) Term: **15 Years**

Icon by AGS dated no date given. Found online [Sep. 12, 2017].
<http://www.playags.com/portfolio/icon/>*

(21) Appl. No.: **29/541,557**

(Continued)

(22) Filed: **Oct. 5, 2015**

Primary Examiner — Robert M. Spear

(51) **LOC (11) Cl.** **21-03**

Assistant Examiner — Ryan Harvey

(52) **U.S. Cl.**

(74) *Attorney, Agent, or Firm* — Weide & Miller, Ltd.

USPC **D21/369**

(58) **Field of Classification Search**

(57) **CLAIM**

USPC D21/369, 370, 371, 385, 329, 325, 394;
D14/307, 172, 129, 325, 401, 371, 126,
D14/439, 432, 450, 128, 375; 463/28,
463/13, 11, 16, 20, 25, 31, 46, 23, 30, 17,
463/36, 29, 42, 34, 32, 35, 19, 21, 22;
273/292, 203, 138.2, 143 R, 142 R, 138.1;
D19/60; D16/226; D8/335, 331, 334;
D26/14

We claim the ornamental design for a gaming machine, as shown and described.

CPC G07F 17/32; G07F 17/34; G07F 17/3211;
G07F 17/3244; G07F 17/3267

DESCRIPTION

See application file for complete search history.

FIG. 1 is a front perspective view from above of the claimed design;
FIG. 2 is a front elevation view of the claimed design of FIG. 1;
FIG. 3 is a rear elevation view of the claimed design of FIG. 1;
FIG. 4 is a right side view of the claimed design of FIG. 1;
FIG. 5 is a left side view of the claimed design of FIG. 1;
FIG. 6 is a top plan view of the claimed design of FIG. 1;
and,
FIG. 7 is a bottom plan view of the claimed design of FIG. 1.

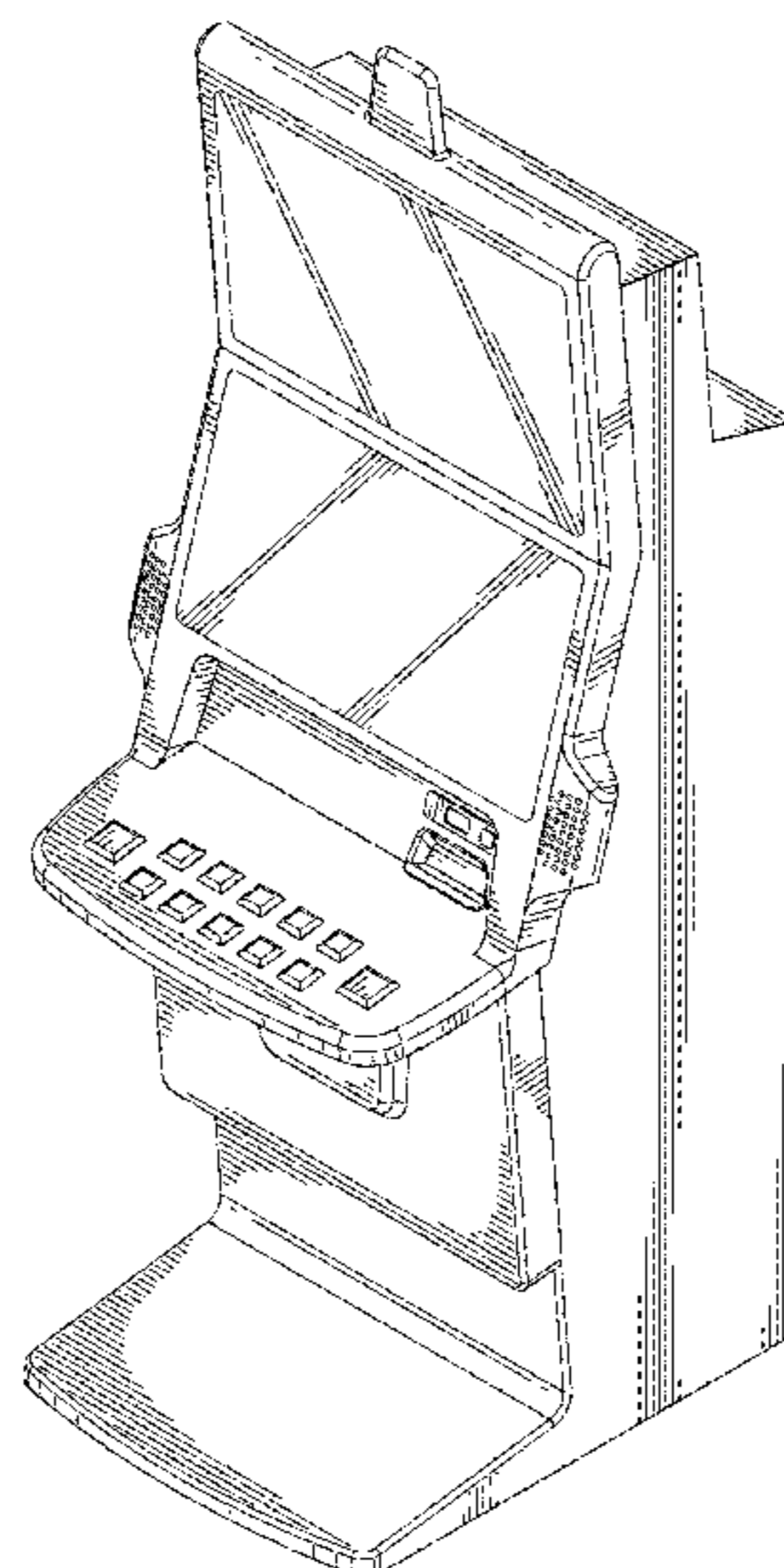
(56) **References Cited**

U.S. PATENT DOCUMENTS

4,440,457 A 4/1984 Fogelman et al.
D275,117 S 8/1984 Heywood
4,844,567 A 7/1989 Chalabian
4,918,579 A 4/1990 Bennett
D307,771 S 5/1990 Cesaroni et al.
5,057,827 A 10/1991 Nobile et al.
5,108,099 A 4/1992 Smyth

The broken line showing of portions of the gaming machine depicts the boundaries of the claimed design and forms no part of the claim.

1 Claim, 6 Drawing Sheets



(56)

References Cited

U.S. PATENT DOCUMENTS

D381,697 S	7/1997	Brettschneider	D566,197 S	4/2008	Greenberg et al.
D381,700 S	7/1997	Brettschneider	7,355,573 B2	4/2008	Ogawa
5,670,971 A	9/1997	Tokimoto et al.	7,364,505 B2	4/2008	Mattice et al.
D386,796 S	11/1997	Komori	7,367,145 B2	5/2008	Mou
5,695,402 A	12/1997	Stupak	7,367,685 B2	5/2008	Moll
5,813,914 A	9/1998	McKay et al.	7,390,257 B2	6/2008	Paulsen et al.
5,818,401 A	10/1998	Wang	D573,200 S	7/2008	Hashimoto et al.
5,826,882 A	10/1998	Ward	7,397,387 B2	7/2008	Suzuki et al.
5,836,819 A	11/1998	Ugawa	7,423,864 B2	9/2008	Kim et al.
D407,758 S	4/1999	Isetani et al.	7,476,154 B2	1/2009	Kogo et al.
D413,635 S	9/1999	Taylor	D586,866 S	2/2009	Hsu
D421,631 S	3/2000	Tsuda	7,506,463 B2	3/2009	Hoist
D424,122 S	5/2000	Dickenson et al.	7,506,997 B1	3/2009	Eriksson
6,068,101 A	5/2000	Dickenson et al.	7,513,830 B2	4/2009	Hajder et al.
D428,062 S	7/2000	Hayashi	D592,709 S	5/2009	McComb et al.
6,095,526 A	8/2000	Cook, II	D603,909 S	11/2009	De Viveiros Ortiz
6,135,884 A	10/2000	Hedrick et al.	D604,368 S	11/2009	Lesley et al.
6,164,645 A	12/2000	Weiss	D605,231 S	12/2009	Hashimoto et al.
D436,380 S	1/2001	Brettschneider	7,641,554 B2	1/2010	Paulsen et al.
6,176,584 B1	1/2001	Best et al.	7,654,899 B2	2/2010	Durham et al.
6,183,109 B1	2/2001	Nelson et al.	7,667,891 B2	2/2010	Cok et al.
6,186,645 B1	2/2001	Camarota	7,708,640 B2	5/2010	Burak et al.
6,201,703 B1	3/2001	Yamada et al.	D619,177 S	7/2010	Lee
D439,931 S	4/2001	Yamaguchi	D619,660 S	7/2010	Cole et al.
D442,640 S	5/2001	Hayashi	7,803,053 B2	9/2010	Atkinson
6,265,984 B1	7/2001	Molinaroli	D626,182 S	10/2010	Cole et al.
D446,252 S	8/2001	Yamaguchi	D626,183 S	10/2010	Cole et al.
6,278,419 B1	8/2001	Malkin	7,826,006 B2	11/2010	Koganezawa
6,283,608 B1	9/2001	Straat	7,828,461 B2	11/2010	Mayer et al.
6,319,125 B1	11/2001	Acres	7,833,102 B2	11/2010	Beadell et al.
6,332,690 B1	12/2001	Murofushi	D633,950 S	3/2011	Terpstra et al.
6,334,612 B1	1/2002	Wurz et al.	7,927,218 B2	4/2011	Kopera et al.
D459,402 S	6/2002	Wurz et al.	7,966,485 B2	6/2011	Chen et al.
D460,915 S	7/2002	Lynch	D646,336 S	10/2011	Kelly et al.
6,443,837 B1	9/2002	Jaffe et al.	D649,605 S	11/2011	Terpstra et al.
D464,377 S	10/2002	Wurz et al.	8,054,243 B2	11/2011	Sokolov et al.
D466,160 S	11/2002	Hirato et al.	8,075,385 B2	12/2011	Jackson
6,475,087 B1	11/2002	Cole	8,241,124 B2	8/2012	Kelly et al.
D471,594 S	3/2003	Nojo	8,272,957 B2	9/2012	Crowder, Jr. et al.
6,577,286 B1	6/2003	Jang	D673,619 S *	1/2013	Seelig D21/369
6,578,847 B1	6/2003	Hedrick et al.	D673,620 S *	1/2013	Johnson D21/369
6,579,174 B1	6/2003	Lane et al.	D673,621 S *	1/2013	Johnson D21/369
6,592,238 B2	7/2003	Cleaver et al.	8,430,756 B2	4/2013	McComb et al.
6,641,484 B2	11/2003	Oles et al.	D685,435 S	7/2013	Hohman et al.
6,682,418 B1	1/2004	Mendes et al.	8,550,913 B2	10/2013	Kelly et al.
6,702,409 B2	3/2004	Hedrick et al.	8,651,963 B1	2/2014	Thompson
D489,417 S	5/2004	Munoz et al.	8,814,707 B2	8/2014	Slattery
6,776,504 B2	8/2004	Sloan et al.	8,827,819 B2	9/2014	Thompson
D495,754 S	9/2004	Wurz et al.	D714,875 S	10/2014	Wudtke et al.
D495,755 S	9/2004	Wurz et al.	D715,364 S	10/2014	Wudtke et al.
D496,407 S	9/2004	Gadda et al.	8,851,989 B2 *	10/2014	Rosander G07F 17/3216 463/31
D498,267 S	11/2004	Crouch	D723,626 S *	3/2015	Vasquez D21/370
6,834,979 B1	12/2004	Cleaver et al.	8,974,297 B2	3/2015	Massing et al.
6,860,814 B2	3/2005	Cole	D733,088 S *	6/2015	Garneau D14/172
6,897,624 B2	5/2005	Lys et al.	9,064,372 B2	6/2015	Rasmussen et al.
6,899,626 B1	5/2005	Luciano et al.	D745,093 S	12/2015	Weiss et al.
6,906,860 B2	6/2005	Starkweather	D762,613 S *	8/2016	Garneau D14/172
D508,268 S	8/2005	Hanchar et al.	D763,361 S *	8/2016	Rosander D21/370
D508,961 S	8/2005	Gatto et al.	RE46,169 E	10/2016	Kelly et al.
6,948,829 B2	9/2005	Verdes et al.	9,478,097 B2	10/2016	Hennessy et al.
D513,044 S	12/2005	Morrison	9,504,919 B2	11/2016	Taylor et al.
6,997,810 B2	2/2006	Cole	9,573,050 B2	2/2017	Thompson et al.
7,014,563 B2	3/2006	Stephan et al.	9,711,001 B2	7/2017	Zedell, Jr. et al.
D525,664 S	7/2006	Cole	D798,389 S	9/2017	Weiss et al.
7,123,811 B1	10/2006	Chen et al.	D801,437 S	10/2017	Hohman
D535,338 S	1/2007	Linard et al.	2003/0064814 A1	4/2003	Stephan et al.
7,178,941 B2	2/2007	Roberge et al.	2004/0001335 A1	1/2004	Wu
7,213,941 B2	5/2007	Sloan et al.	2004/0053663 A1	3/2004	Paulsen et al.
7,237,925 B2	7/2007	Mayer et al.	2004/0053699 A1	3/2004	Rasmussen et al.
7,284,876 B2	10/2007	Ericson	2004/0224776 A1	11/2004	Nagano
D557,348 S	12/2007	Gutknecht et al.	2004/0229698 A1	11/2004	Lind et al.
D559,917 S	1/2008	Cole	2005/0059486 A1	3/2005	Kaminkow
D563,481 S	3/2008	Looks et al.	2005/0130746 A1	6/2005	Stephenson et al.
D564,601 S	3/2008	Strahinic et al.	2005/0215325 A1	9/2005	Nguyen et al.
7,339,782 B1	3/2008	Landes et al.	2005/0261057 A1	11/2005	Bleich et al.
			2006/0030412 A1	2/2006	Cole
			2006/0073900 A1	4/2006	Cole
			2006/0094511 A1	5/2006	Roireau

(56)

References Cited

U.S. PATENT DOCUMENTS

2006/0100013 A1 5/2006 Enzminger
 2006/0131810 A1 6/2006 Nicely
 2006/0183552 A1 8/2006 DiMichele
 2006/0205498 A1 9/2006 Kogo et al.
 2007/0010318 A1 1/2007 Rigsby et al.
 2007/0035965 A1 2/2007 Hoist
 2007/0060387 A1 3/2007 Enzminger et al.
 2007/0149291 A1 6/2007 Mitchell
 2007/0159820 A1 7/2007 Crandell et al.
 2007/0171640 A1 7/2007 Sloan et al.
 2007/0197301 A1 8/2007 Cole
 2007/0225079 A1 9/2007 Cole
 2007/0287527 A1 12/2007 Tanabe et al.
 2007/0287528 A1 12/2007 Hirato et al.
 2007/0287544 A1 12/2007 Hirato et al.
 2008/0020838 A1 1/2008 Slattery
 2008/0076553 A1 3/2008 Paulsen et al.
 2008/0113794 A1* 5/2008 Cole G07F 17/32
 463/31
 2008/0119288 A1 5/2008 Rasmussen
 2008/0186415 A1 8/2008 Boud et al.
 2008/0194313 A1 8/2008 Walker
 2008/0227522 A1 9/2008 Toyoda
 2008/0248852 A1 10/2008 Rasmussen
 2008/0268949 A1 10/2008 Dell
 2009/0011839 A1 1/2009 Cole
 2009/0036208 A1 2/2009 Pennington et al.
 2009/0045723 A1 2/2009 Ishikawa
 2009/0179597 A1 7/2009 Salmon
 2009/0247261 A1 10/2009 Koami
 2009/0275389 A1 11/2009 Englman et al.
 2010/0016084 A1 1/2010 Bleich et al.
 2010/0120518 A1 5/2010 Borissov et al.
 2010/0137060 A1 6/2010 Cole
 2011/0118034 A1 5/2011 Jaffe et al.

2011/0195775 A1 8/2011 Wells
 2011/0319152 A1 12/2011 Ross et al.
 2012/0178523 A1 7/2012 Greenberg et al.
 2013/0084948 A1* 4/2013 Watkins G07F 17/3276
 463/23
 2014/0132891 A1 5/2014 Tohyama et al.
 2014/0206432 A1 7/2014 Radek et al.
 2014/0250409 A1 9/2014 Shah et al.
 2014/0256409 A1 9/2014 Wood et al.
 2014/0268876 A1 9/2014 Lee et al.
 2014/0323212 A1 10/2014 Thompson et al.
 2015/0141113 A1 5/2015 Melnick et al.
 2015/0269810 A1 9/2015 Wolf et al.
 2015/0336005 A1 11/2015 Melnick et al.
 2017/0178443 A1 6/2017 Calhoun et al.
 2017/0178444 A1 6/2017 Lee et al.

OTHER PUBLICATIONS

Bluebird Slant Widescreen literature from www.wms.com/technologyandinnovation_cabinets_widescreen.php dated May 19, 2009, showing a gaming machine cabinet that was sold and/or publicly disclosed at least as early as Dec. 13, 2008.
 International Search Report and Written Opinion for PCT/US16/66904 dated Apr. 25, 2017, 12 pages.
 Non-Published Design U.S. Appl. No. 29/540,241, filed Sep. 22, 2015, titled Gaming Device Wall of Light.
 Non-Published Design U.S. Appl. No. 29/540,396, filed Sep. 24, 2015, titled Game Tower.
 Orion by AGS, <http://www.playags.com/portfolio/orion/>, 3 pages, Sep. 15, 2016.
 Spec International, Inc., GEN-311 gaming machine cabinet, publicly disclosed at least as early as Dec. 13, 2008.
 Non-Published U.S. Appl. No. 12/947,695, filed Nov. 16, 2010, titled Edge Lighted Gaming Panels for Electronic Gaming Device.

* cited by examiner

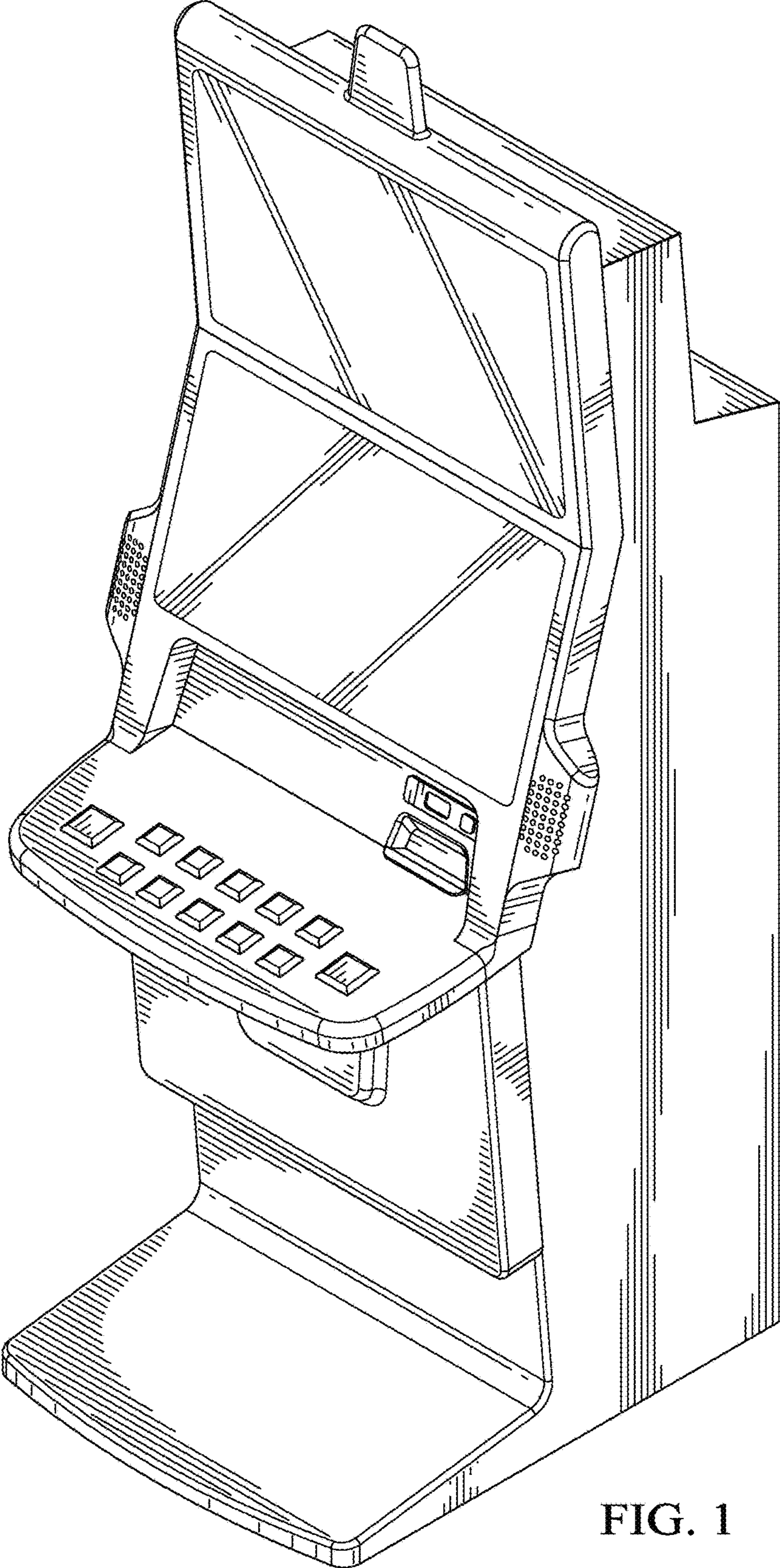


FIG. 1

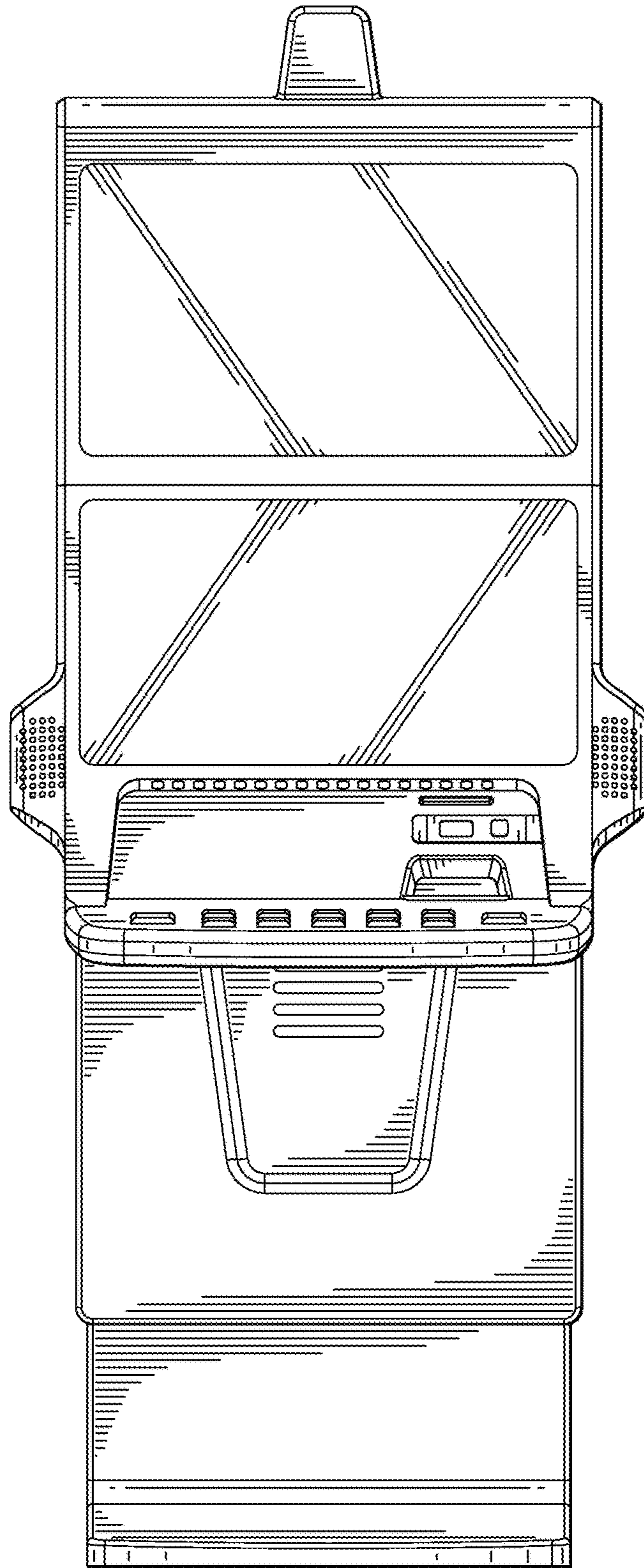


FIG. 2

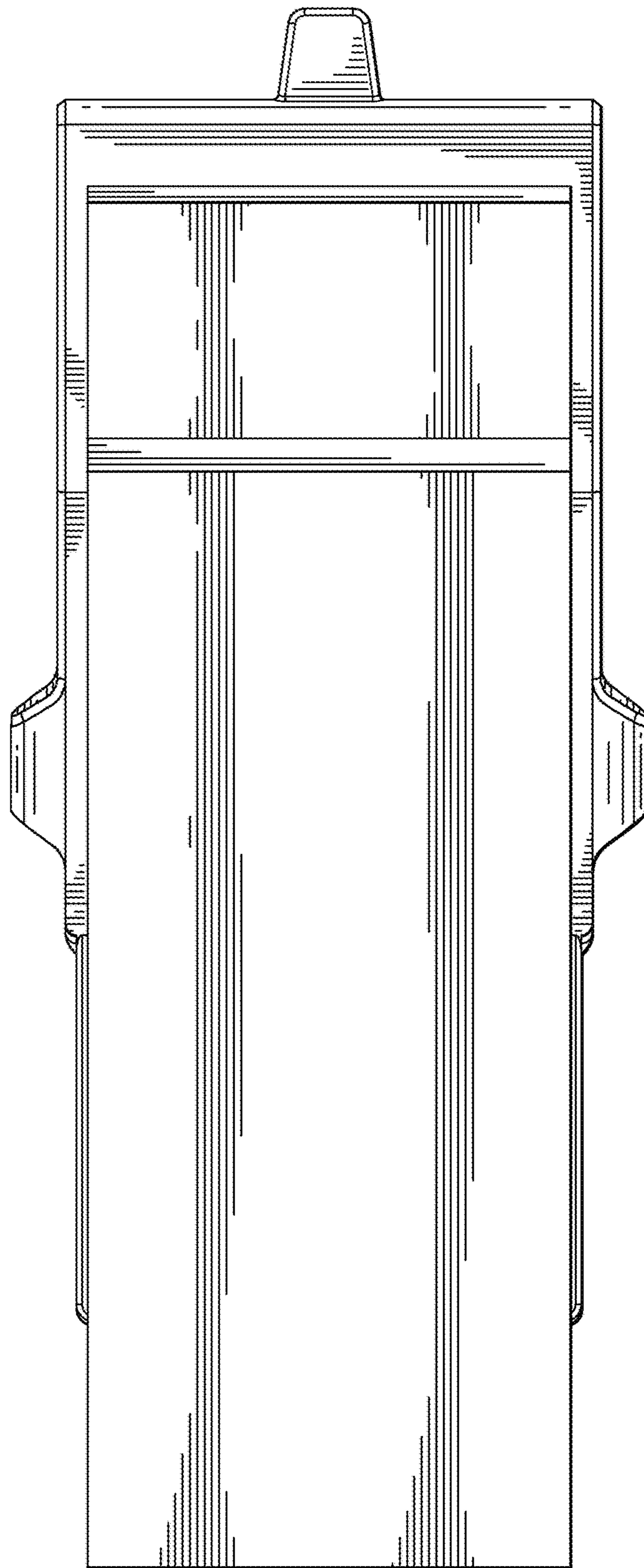


FIG. 3

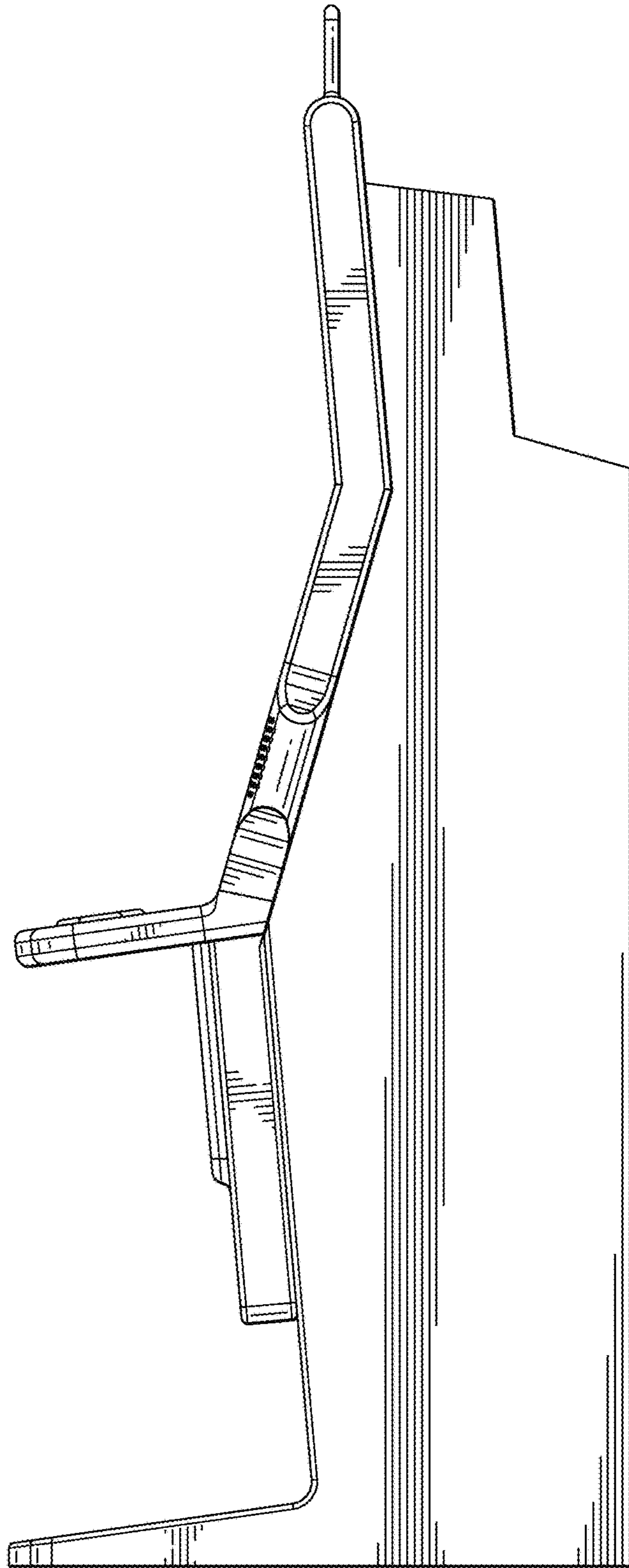


FIG. 4

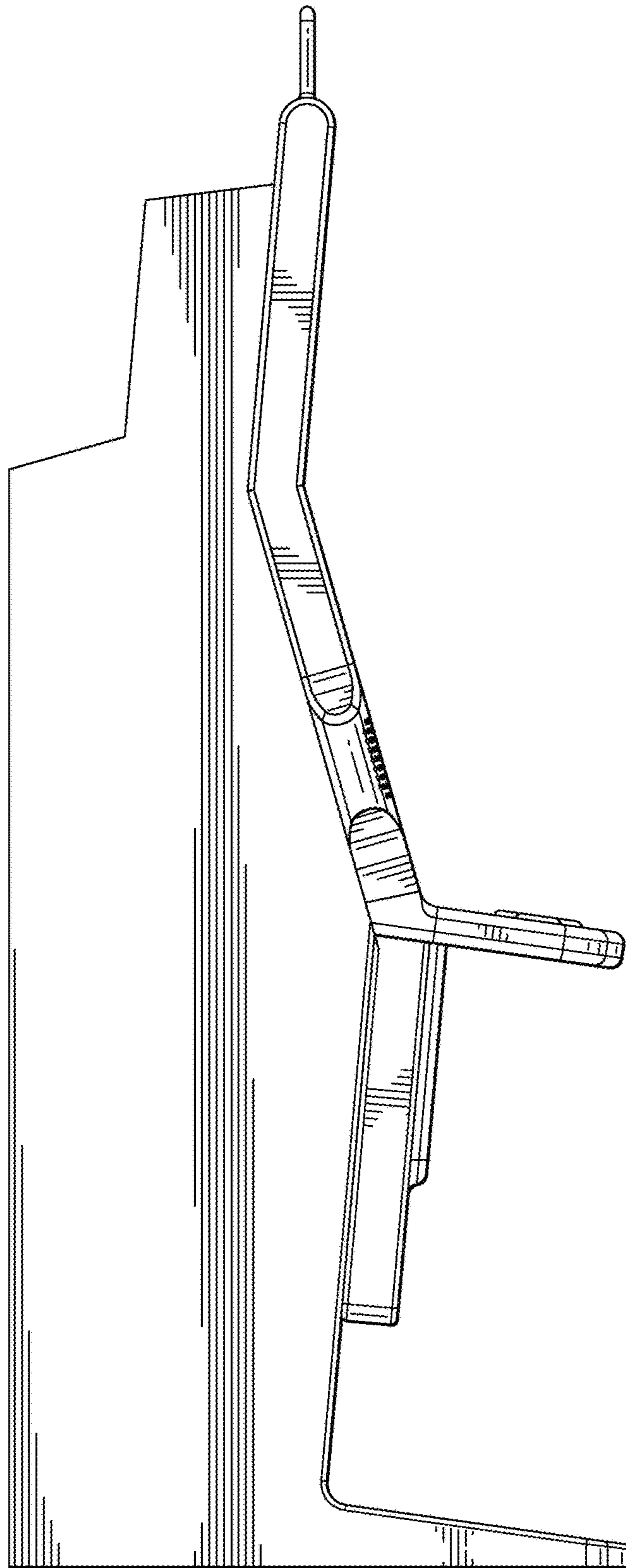


FIG. 5

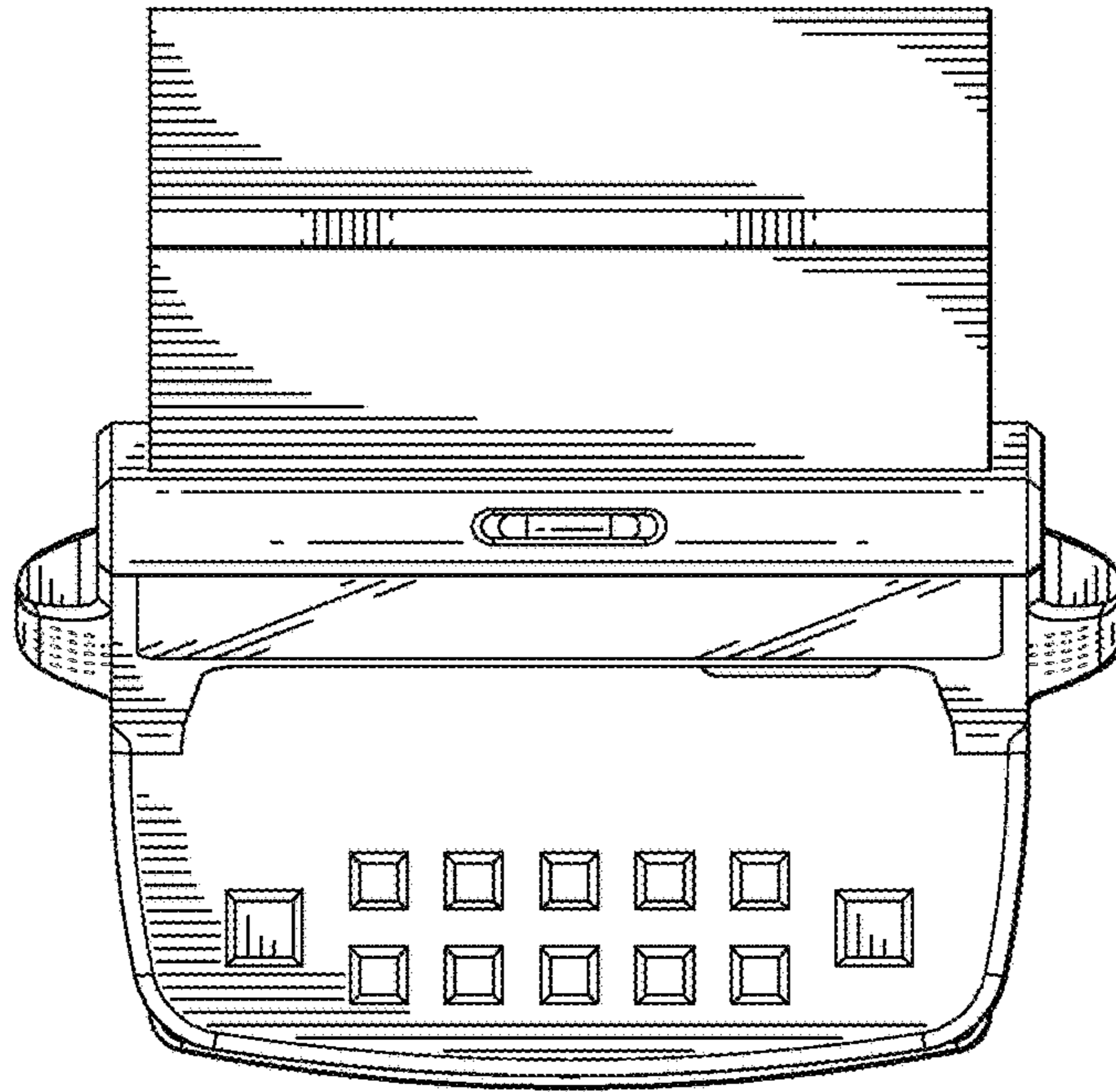


FIG. 6

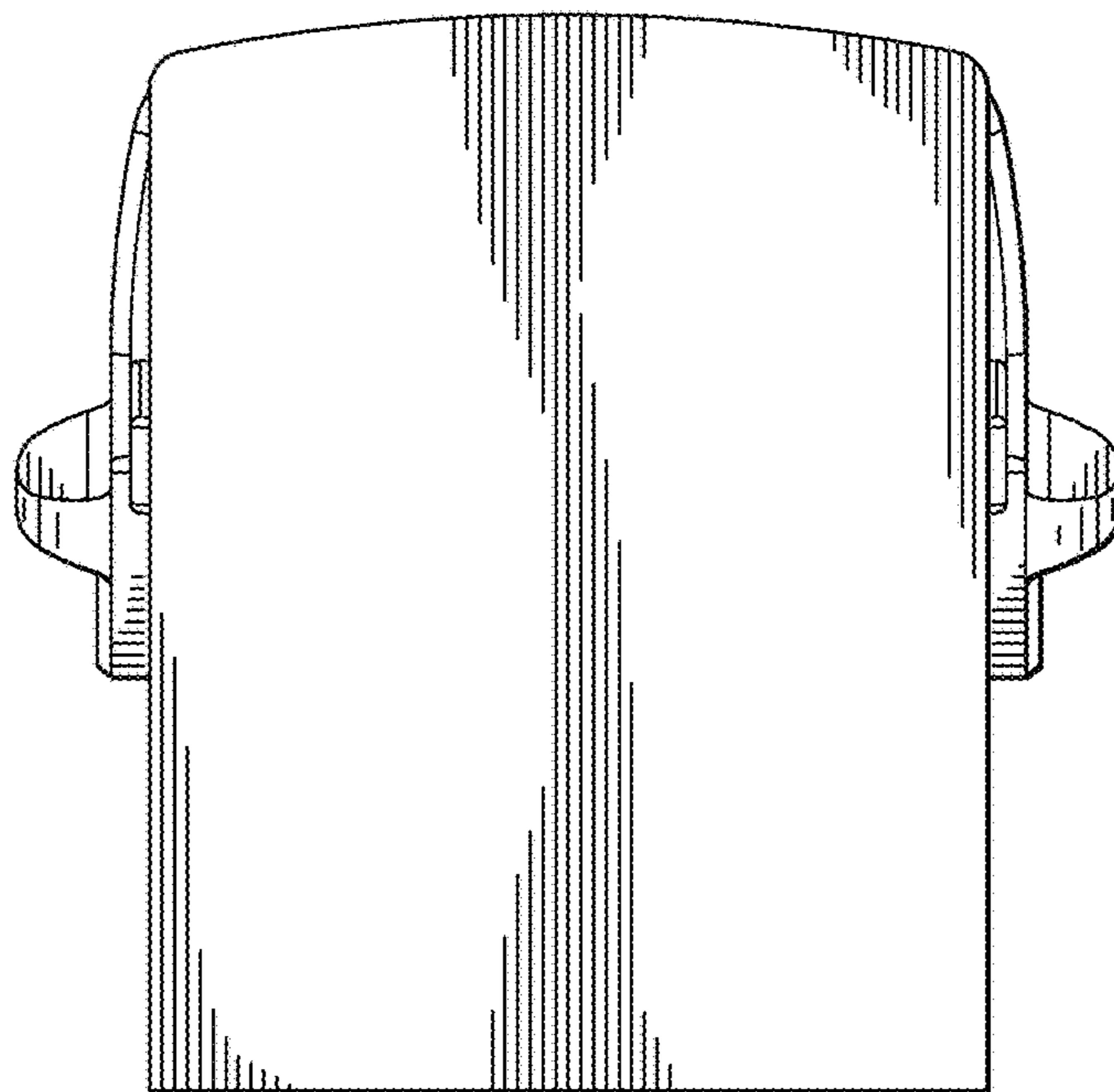


FIG. 7

UNITED STATES PATENT AND TRADEMARK OFFICE
CERTIFICATE OF CORRECTION

PATENT NO. : D818,048 S
APPLICATION NO. : 29/541557
DATED : May 15, 2018
INVENTOR(S) : Rachel Marie Calhoun et al.

Page 1 of 1

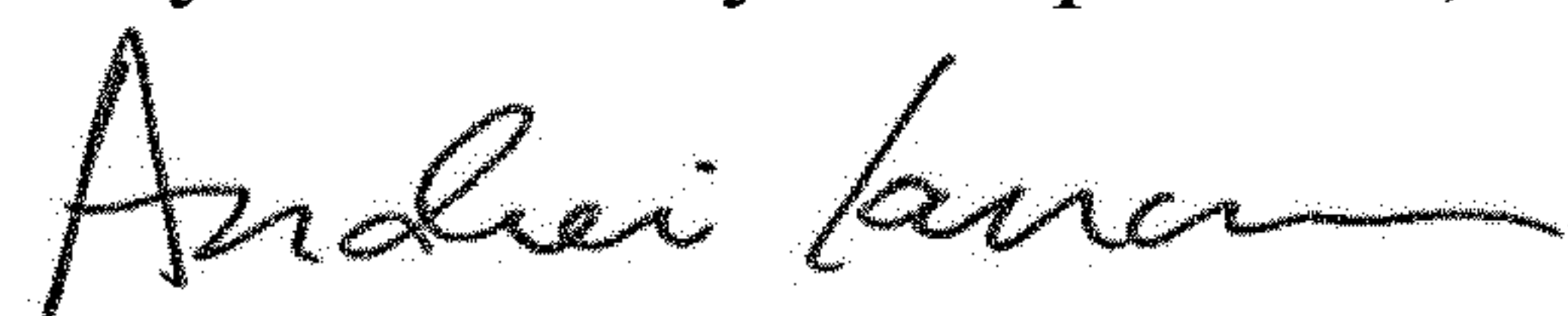
It is certified that error appears in the above-identified patent and that said Letters Patent is hereby corrected as shown below:

On the Title Page

Item (72), should read:

Inventors: Rachel Marie Calhoun, Atlanta, GA (US); Karl Frederick Zedell, Jr., Alpharetta, GA (US); Sigmund Lee, Atlanta, GA (US); Robert William Strickler, Portland, OR (US); Ariel David Turgel, San Francisco, CA (US); Daniel Kendall Harden, Palo Alto, CA (US)

Signed and Sealed this
Twenty-fourth Day of September, 2019



Andrei Iancu
Director of the United States Patent and Trademark Office