



US00D818044S

(12) **United States Design Patent**
Hemphill

(10) **Patent No.:** **US D818,044 S**

(45) **Date of Patent:** **** May 15, 2018**

(54) **GOLF BAG SIGN**

(71) Applicant: **Callaway Golf Company**, Carlsbad, CA (US)

(72) Inventor: **Gregg Hemphill**, Ladera Ranch, CA (US)

(73) Assignee: **Callaway Golf Company**, Carlsbad, CA (US)

(**) Term: **15 Years**

(21) Appl. No.: **29/599,142**

(22) Filed: **Mar. 31, 2017**

Related U.S. Application Data

(62) Division of application No. 29/556,556, filed on Mar. 1, 2016, now Pat. No. Des. 786,978.

(51) **LOC (11) Cl.** **20-02**

(52) **U.S. Cl.**
USPC **D20/40; D20/22**

(58) **Field of Classification Search**
USPC D21/789; D20/22, 28, 40
CPC G09F 3/00; G09F 3/04; G09F 3/08; G09F 1/00; G09F 1/02; G09F 1/04
See application file for complete search history.

(56) **References Cited**

U.S. PATENT DOCUMENTS

1,348,899 A * 8/1920 Sargent G09F 1/04
40/310
4,261,121 A * 4/1981 Coon A47G 25/485
223/96

5,214,871 A * 6/1993 DiCataldo, Sr. G09F 3/20
40/6
D380,012 S * 6/1997 McGarry-Webster D20/22
D417,703 S * 12/1999 Saito D20/37
D627,847 S * 11/2010 Leoni D21/789
D657,575 S * 4/2012 Weber D6/300
D720,014 S * 12/2014 Erenguc D20/22
D741,408 S * 10/2015 Engelby D20/40
D786,978 S * 5/2017 Hemphill D20/40

* cited by examiner

Primary Examiner — Mitchell I. Siegel

(74) *Attorney, Agent, or Firm* — Rebecca Hanovice;
Michael Catania; Sonia Lari

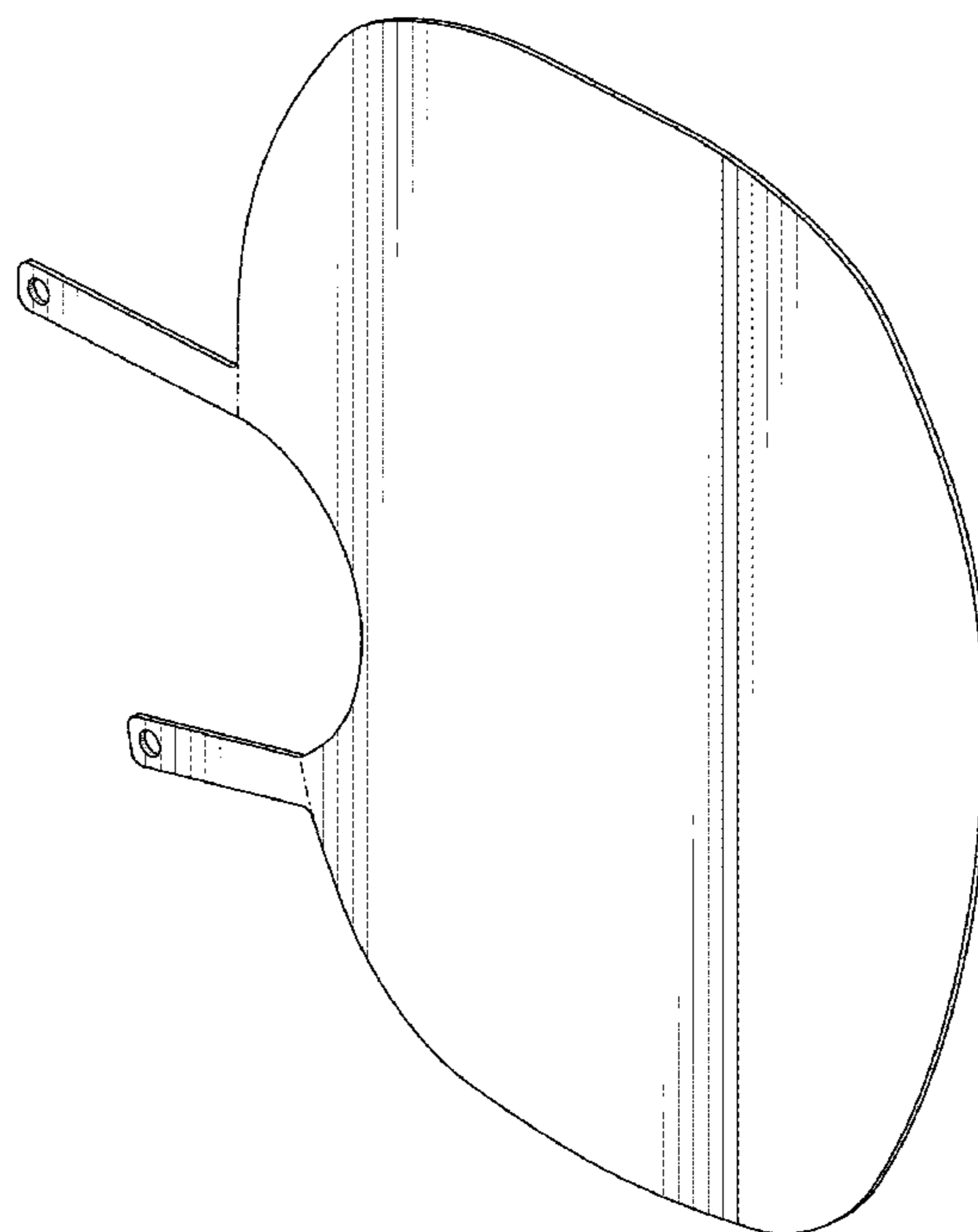
(57) **CLAIM**

The ornamental design for a golf bag sign, as shown and described.

DESCRIPTION

FIG. 1 is a front perspective view of the golf bag sign as claimed herein;
FIG. 2 is a front plan view thereof;
FIG. 3 is a rear plan view thereof;
FIG. 4 is a right side plan view thereof;
FIG. 5 is a left side plan view thereof;
FIG. 6 is a top plan view thereof; and,
FIG. 7 is a bottom plan view thereof.
The broken lines are included for the purpose of illustration only and form no part of the claimed design.

1 Claim, 4 Drawing Sheets



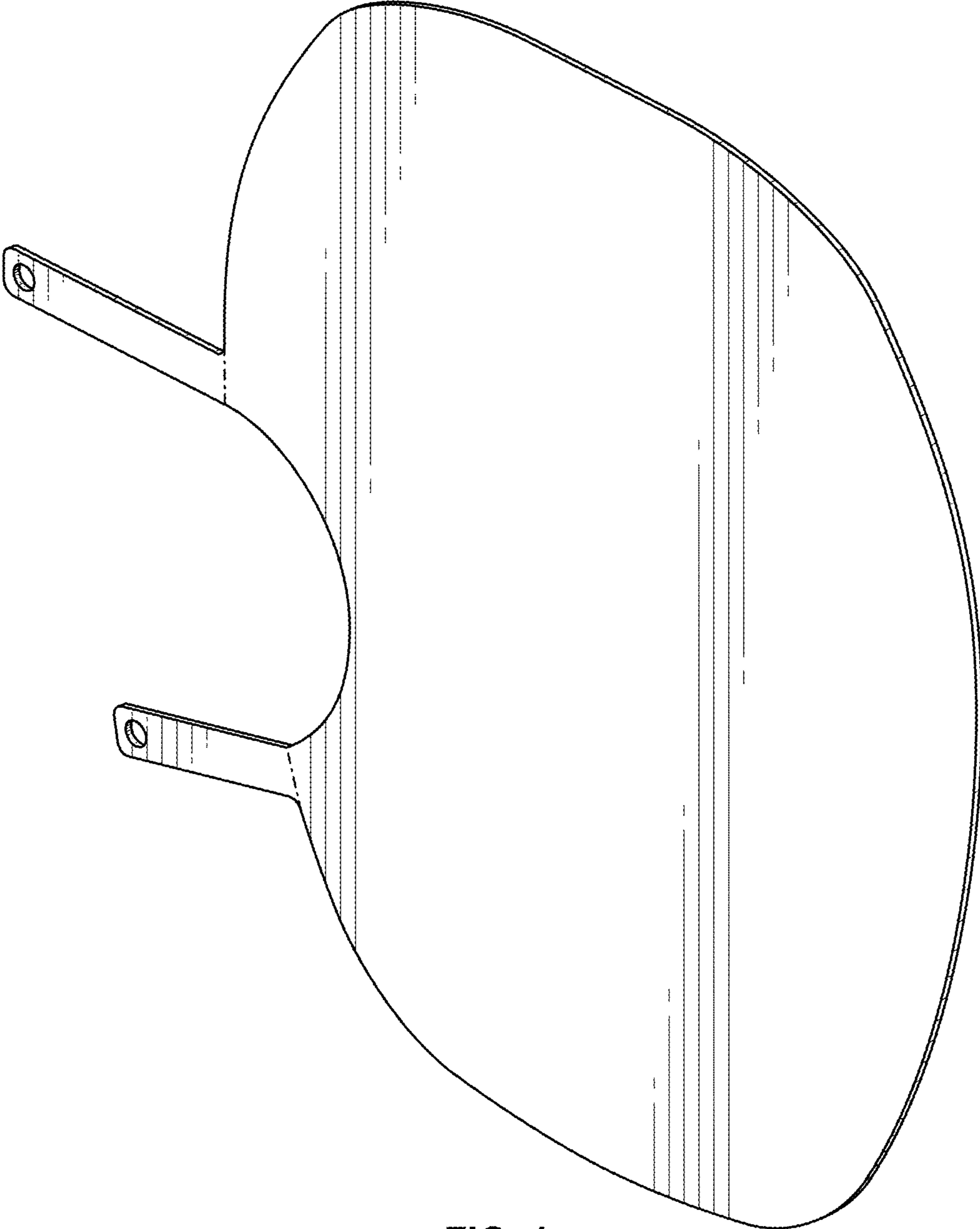


FIG. 1

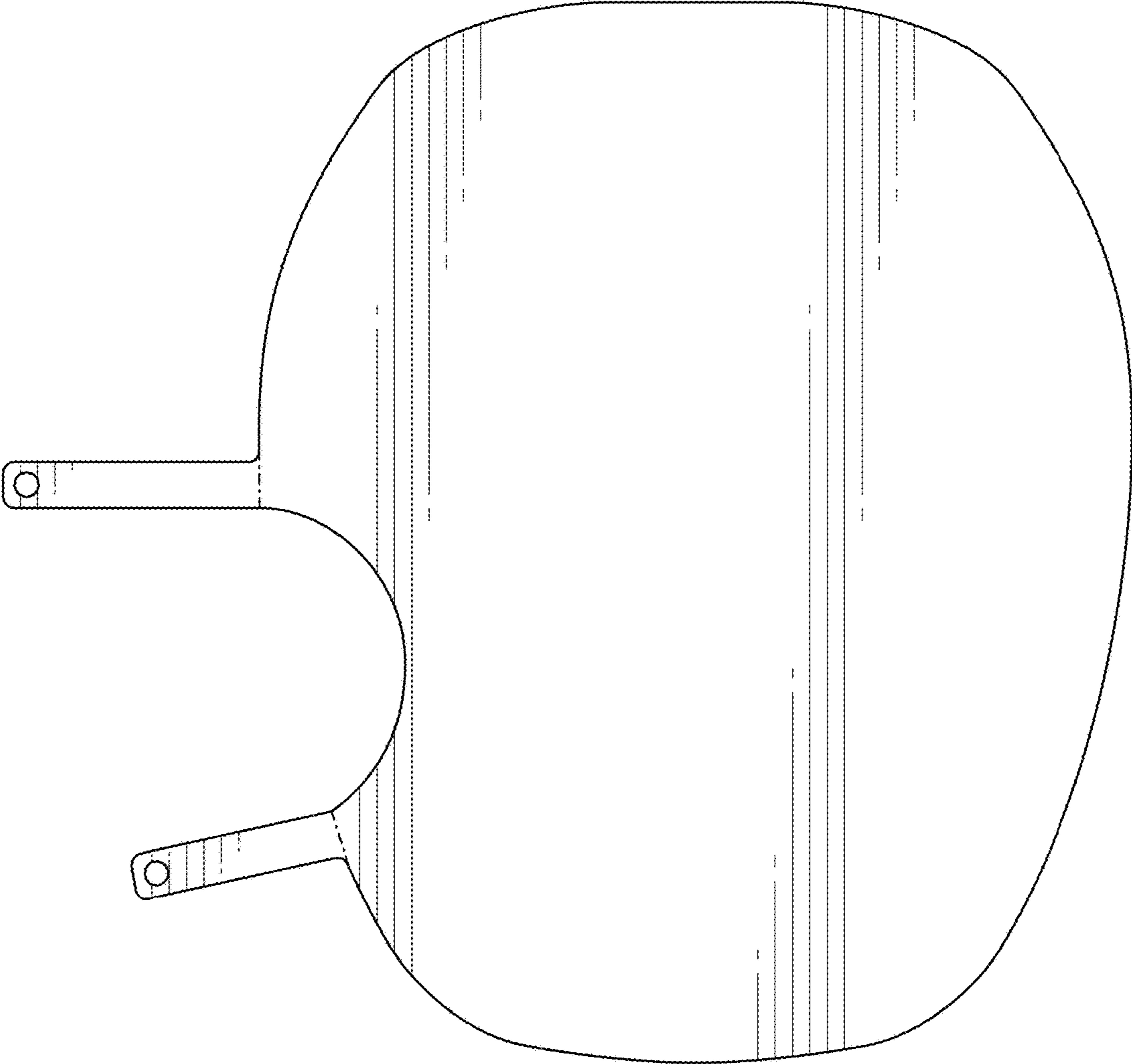


FIG. 2

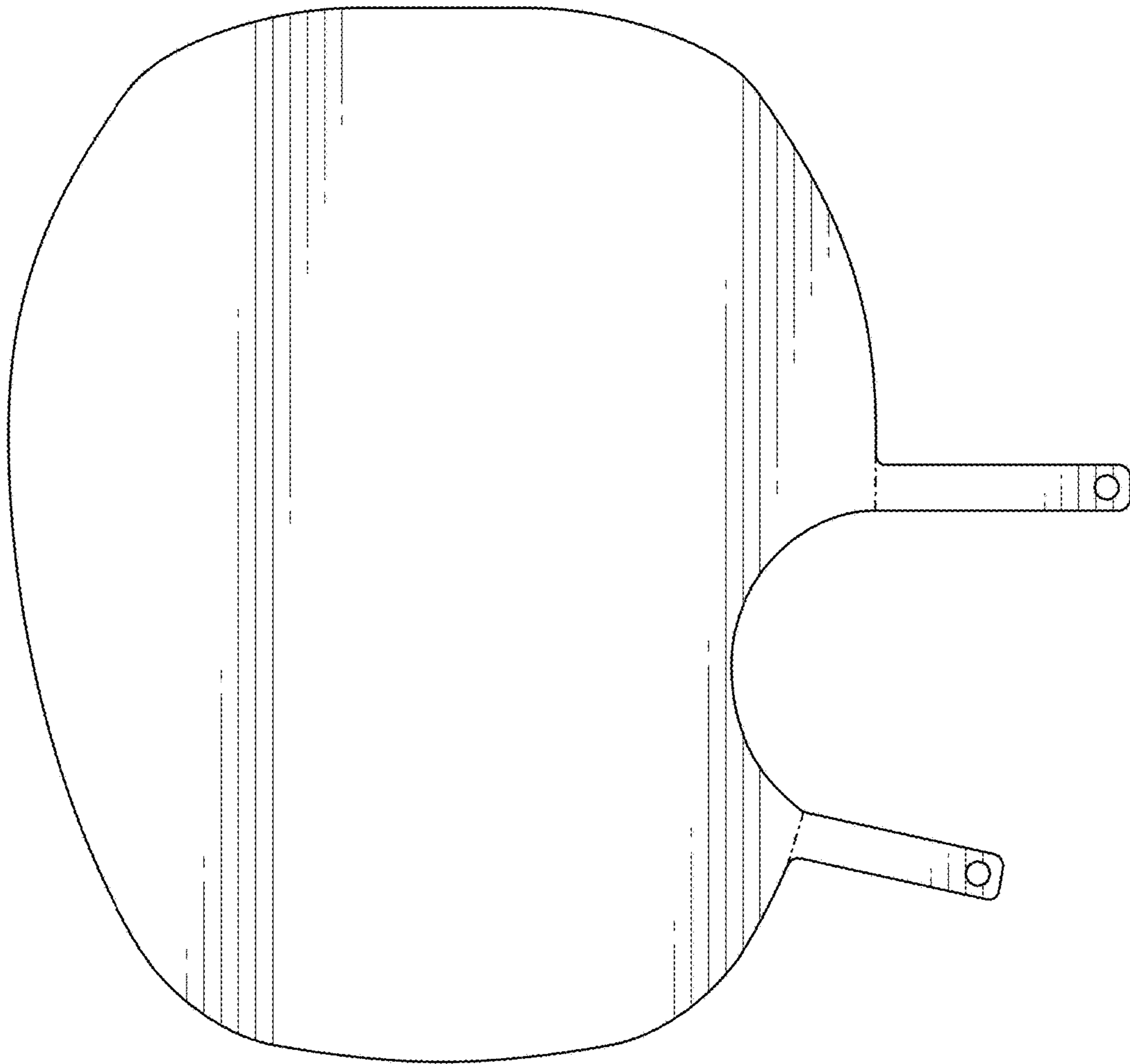


FIG. 3



FIG. 4



FIG. 5

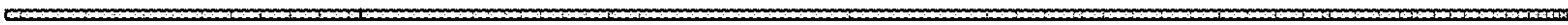


FIG. 6

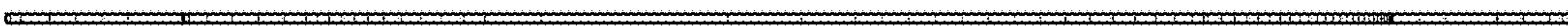


FIG. 7