



US00D818042S

(12) **United States Design Patent**
Casciotti et al.

(10) **Patent No.:** **US D818,042 S**
(45) **Date of Patent:** **** May 15, 2018**

- (54) **WRITING INSTRUMENT**
- (71) Applicant: **Amsterdam Printing & Litho, Inc.**,
North Mankato, MN (US)
- (72) Inventors: **David M. Casciotti**, Amsterdam, NY
(US); **Jing P. Mahler**, Glenville, NY
(US)
- (73) Assignee: **AMSTERDAM PRINTING &
LITHO, INC.**, North Mankato, MN
(US)
- (**) Term: **15 Years**
- (21) Appl. No.: **29/568,062**
- (22) Filed: **Jun. 15, 2016**
- (51) **LOC (11) Cl.** **19-06**
- (52) **U.S. Cl.**
USPC **D19/123**; D8/34; D14/253
- (58) **Field of Classification Search**
USPC D14/411, 224, 238, 251, 252, 253, 254,
D14/447; D19/115–204, 81–85; D8/33,
D8/34, 40, 43
CPC ... B43K 5/00; B43K 7/00; B43K 7/12; B43K
8/04; B43K 8/06; B43K 19/00; B43K
19/02; B43K 19/14; B43K 24/08
See application file for complete search history.

(56) **References Cited**

U.S. PATENT DOCUMENTS

- 501,893 A * 7/1893 Marshall B43L 23/08
15/105.53
- D39,561 S * 9/1908 Bowman D19/177
- 1,151,933 A * 8/1915 Fleming A45D 40/0081
401/88
- 1,655,719 A * 1/1928 Wilkinson B01L 3/0272
222/1
- 2,030,025 A 3/1934 Davis

- 1,972,920 A * 9/1934 Deuse F25C 5/043
7/156
 - D141,816 S * 7/1945 Johnson D8/38
 - D141,850 S * 7/1945 Sanders D19/118
- (Continued)

OTHER PUBLICATIONS

Quirky Upwrite Universal Stylus and Stand, <http://www.amazon.com/Quirky-Upwrite-Universal-Stylus-PUPW1-UN01/dp/B00CTESMC8>, downloaded May 5, 2016 (2 pages), Oct. 7, 2013.
(Continued)

Primary Examiner — Elizabeth Albert
(74) *Attorney, Agent, or Firm* — Dicke, Billig & Czaja,
PLLC

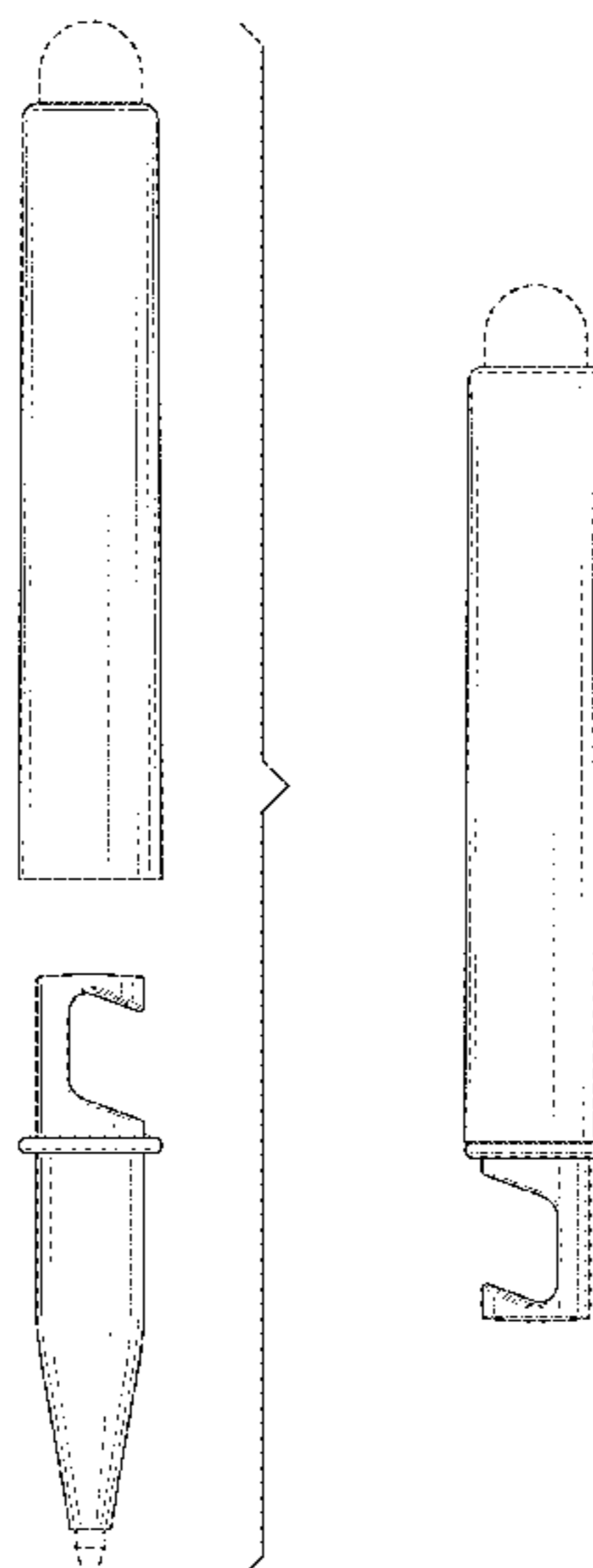
(57) **CLAIM**

We claim the ornamental design for a writing instrument, as shown and described.

DESCRIPTION

FIG. 1 is a perspective view of a writing instrument, in a first assembled configuration, showing our new design; FIG. 2 is a front view of FIG. 1, the back view, left side view, and right side views being the same; FIG. 3 is a top view of FIG. 1; FIG. 4 is a bottom view of FIG. 1; FIG. 5 is an exploded right side view of FIG. 1; FIG. 6 is an exploded left side view of a second configuration of our new design; FIG. 7 is a back view of the assembled writing instrument in the second configuration of FIG. 6; FIG. 8 is a front side view of FIG. 7; FIG. 9 is a left side view of FIG. 7, the right side view being a mirror image of the same; FIG. 10 is a top view of FIG. 7; and, FIG. 11 is a bottom view of FIG. 7. The broken lines in the drawings of FIGS. 1-11 are included for the purpose of showing portions that form no part of the claimed design.

1 Claim, 9 Drawing Sheets



(56)

References Cited

U.S. PATENT DOCUMENTS

2,820,233	A *	1/1958	Steiner	B43K 8/02
				206/1.7
D245,830	S *	9/1977	De Gross	D8/18
D256,135	S *	7/1980	Storms	401/95
D282,343	S *	1/1986	Pinder	D8/40
D290,851	S *	7/1987	Yoshida	401/57
D338,039	S	8/1993	Takahashi	
D368,006	S *	3/1996	Aldrich	D8/14
D433,705	S *	11/2000	Kohlhase	D19/173
D481,600	S *	11/2003	Cohen	D8/40
D500,799	S *	1/2005	Olson	D10/78
D501,191	S *	1/2005	Siebke	D13/108
D583,414	S	12/2008	Booker	
D587,311	S *	2/2009	Zhang	D19/179
D609,745	S	2/2010	Achzet et al.	
D609,749	S	2/2010	Achzet et al.	
D695,344	S	12/2013	Casciottie et al.	
D703,016	S *	4/2014	Crane	D8/38
D704,710	S *	5/2014	Chen	D14/411
D771,614	S *	11/2016	Chang	D14/253
D783,591	S *	4/2017	Grutzik	D14/252
D795,665	S *	8/2017	Henderson, IV	D8/18

OTHER PUBLICATIONS

Quattro, Inqli, <http://www.inqli.com/products/quattro/>, 1 page Dec. 22, 2015.

* cited by examiner

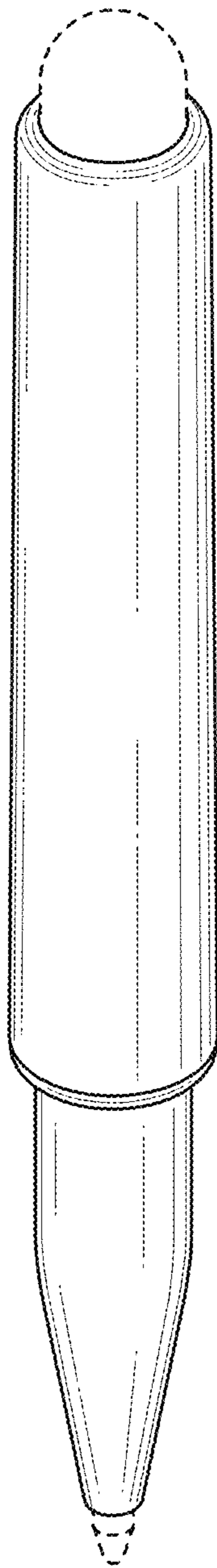


Fig. 1

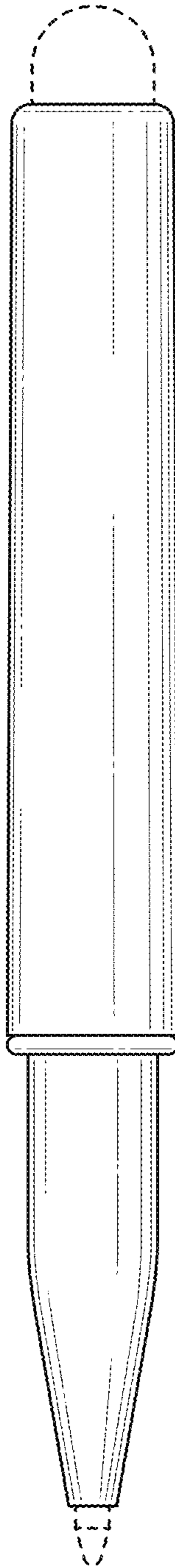


Fig. 2

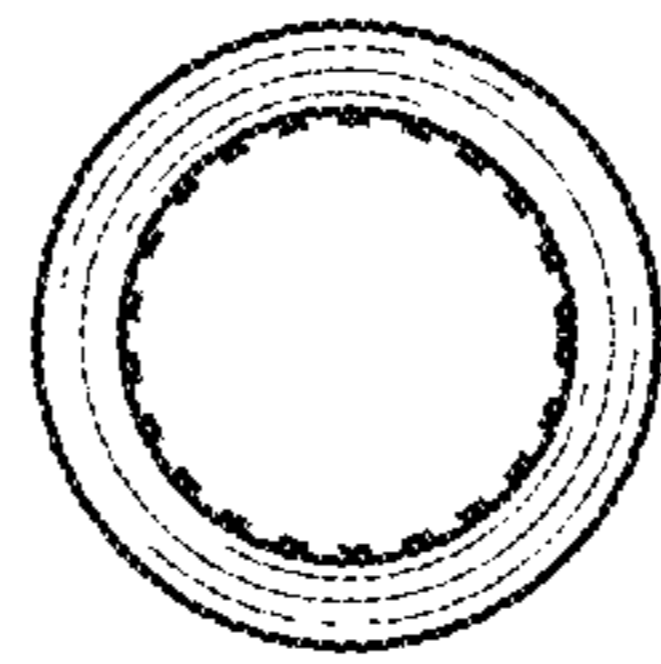


Fig. 3

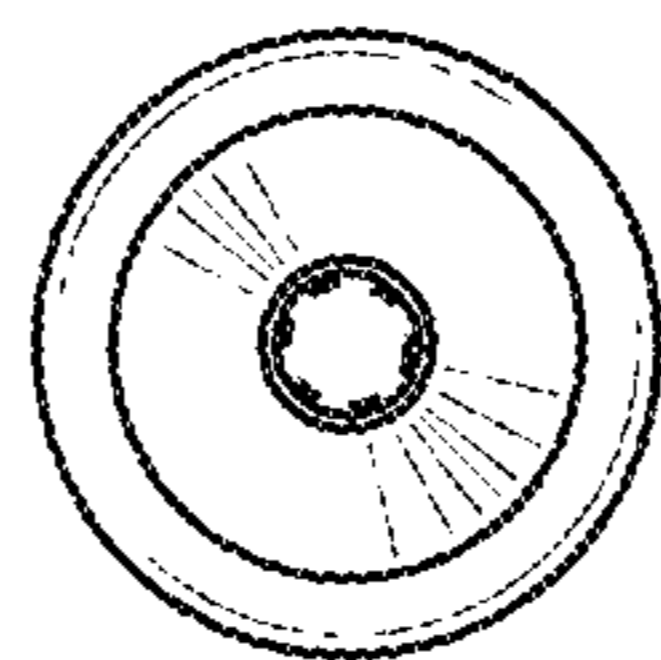


Fig. 4

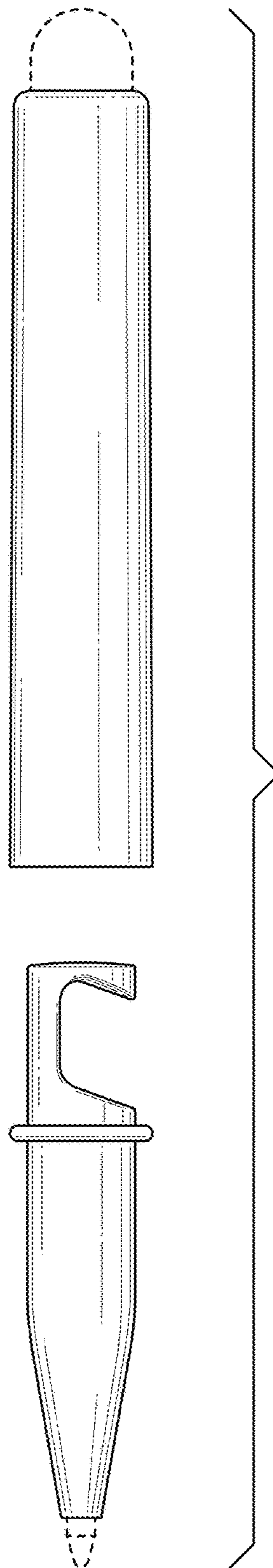


Fig. 5

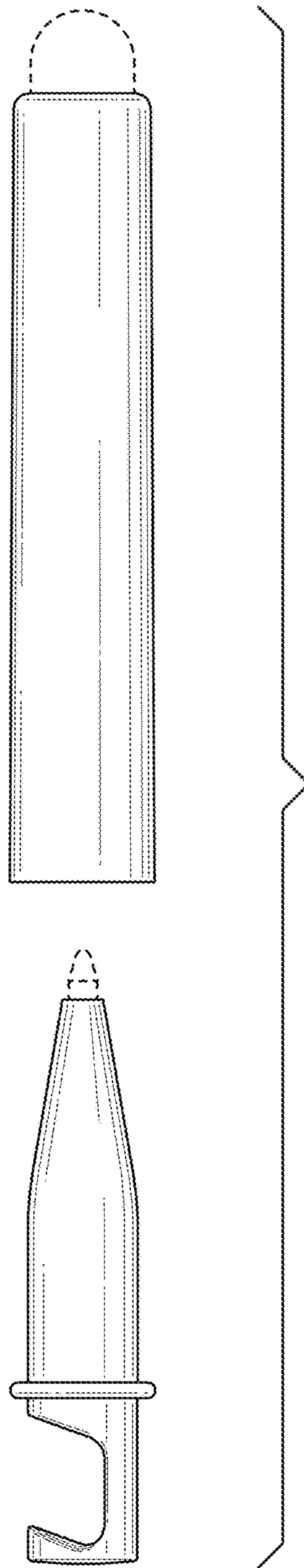


Fig. 6

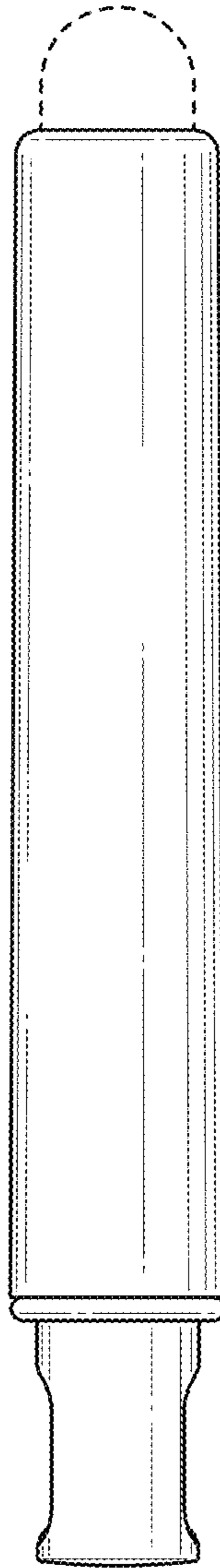


Fig. 7

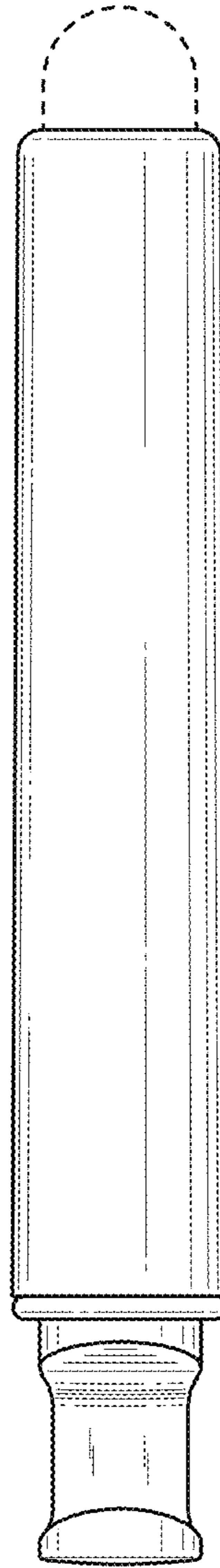


Fig. 8

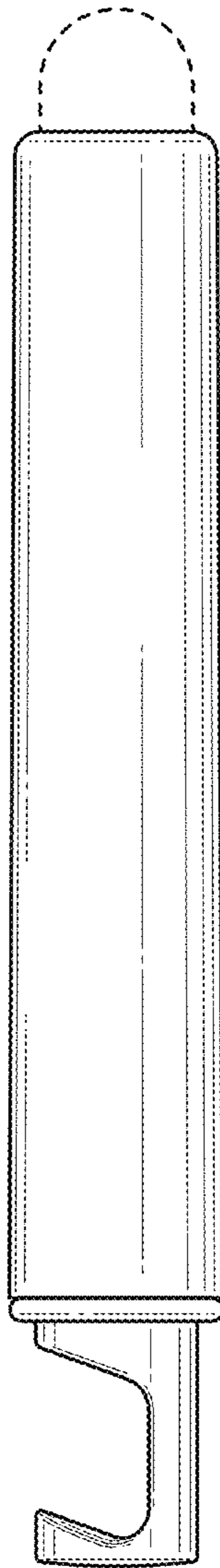


Fig. 9

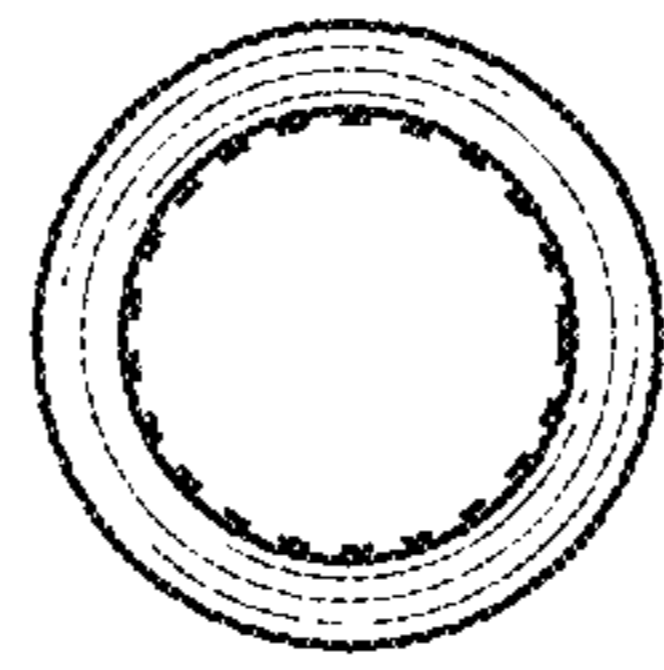


Fig. 10

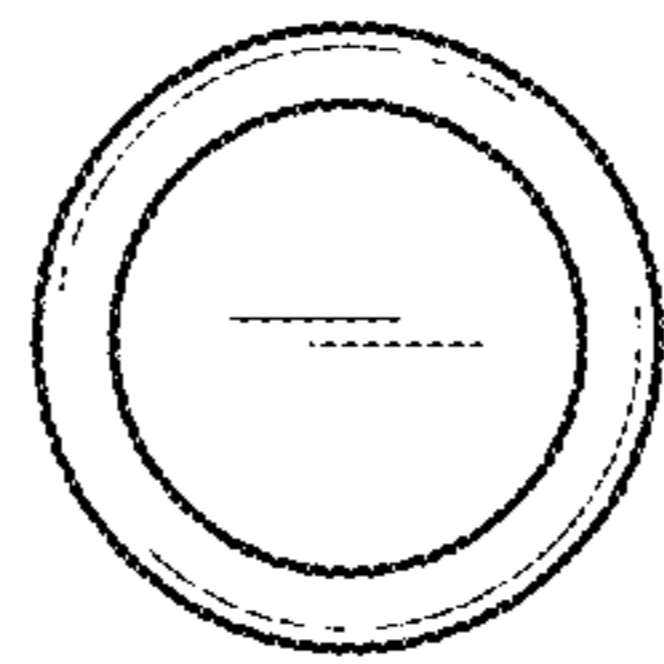


Fig. 11