



US00D818041S

(12) **United States Design Patent** (10) **Patent No.:** **US D818,041 S**
Peng (45) **Date of Patent:** **** May 15, 2018**

(54) **COVER**
(71) Applicant: **AVISION INC.**, Hsinchu (TW)
(72) Inventor: **Chao-Yu Peng**, Hsinchu (TW)
(73) Assignee: **Avision Inc.** (TW)
(**) Term: **15 Years**
(21) Appl. No.: **29/566,218**
(22) Filed: **May 27, 2016**
(51) **LOC (11) Cl.** **18-02**
(52) **U.S. Cl.**
USPC **D18/56**
(58) **Field of Classification Search**
USPC ... D18/34.1, 34.3-34.6, 34.9, 38-41, 44, 47,
D18/48, 49, 53, 54, 54.1, 55, 56, 59;
D14/302, 303, 332, 441, 447, 463, 468
CPC B41J 2/17553; B41J 2/1752; B41J 3/00;
B41J 3/4075; B41J 11/58; B41J 2/01
See application file for complete search history.

(56) **References Cited**
U.S. PATENT DOCUMENTS
4,071,232 A * 1/1978 Fujimoto B65H 1/04
271/164
D273,868 S * 5/1984 Dorman D18/49
4,765,605 A * 8/1988 Abbott B65H 1/12
271/127
4,780,740 A * 10/1988 Fukae G03G 15/5095
271/171
4,844,264 A * 7/1989 Deskiewicz, Jr. A47F 3/14
206/561
4,931,978 A * 6/1990 Drake A47B 21/0314
108/143
D555,722 S * 11/2007 Bae D18/55
D576,665 S * 9/2008 Isogai D18/39
D594,508 S * 6/2009 Joe D18/55
7,871,158 B2 * 1/2011 Kaneko B41J 2/175
347/7
D790,625 S * 6/2017 Peng D18/56
(Continued)

Primary Examiner — Garth Rademaker
Assistant Examiner — Richard Kearney

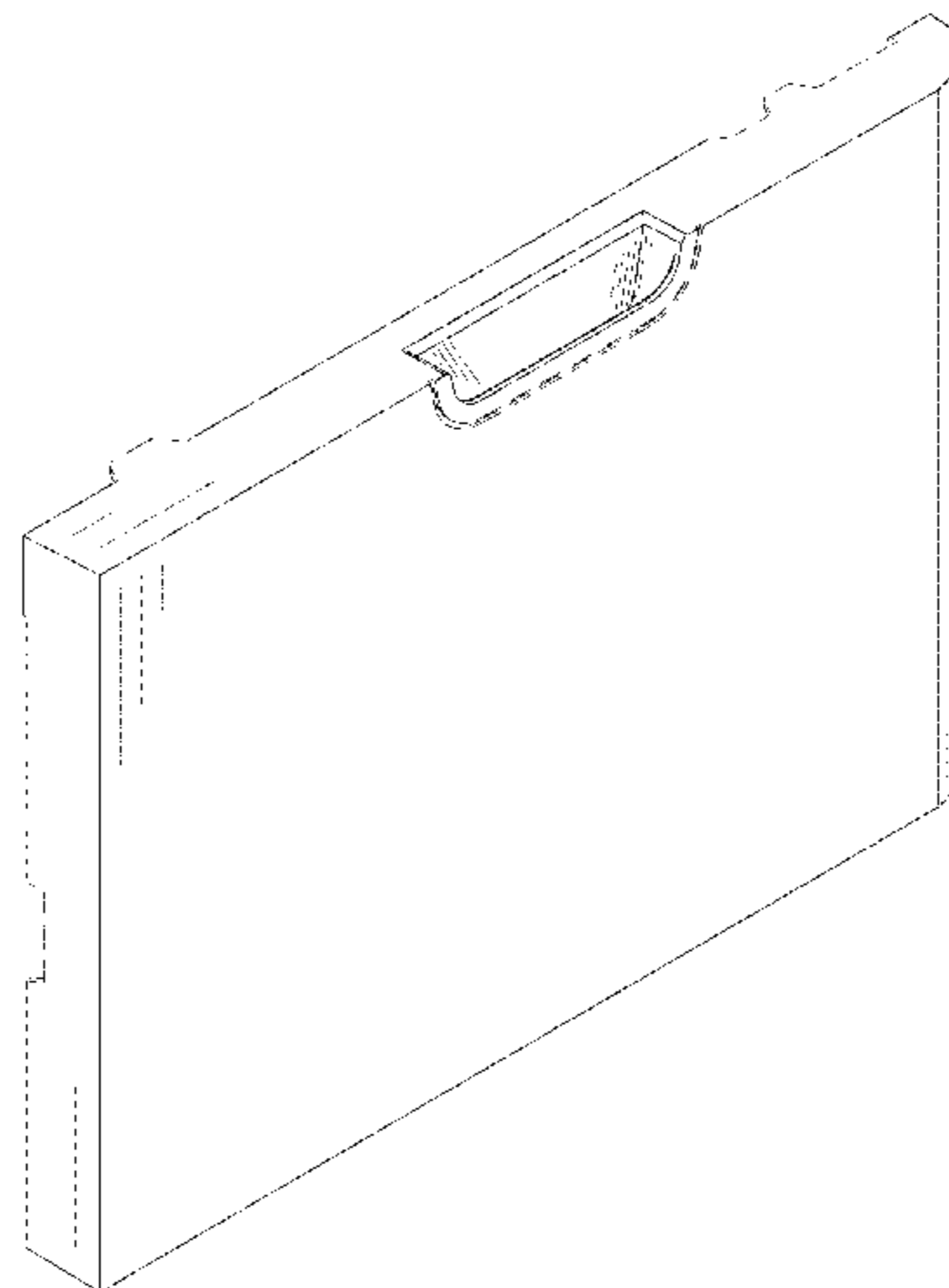
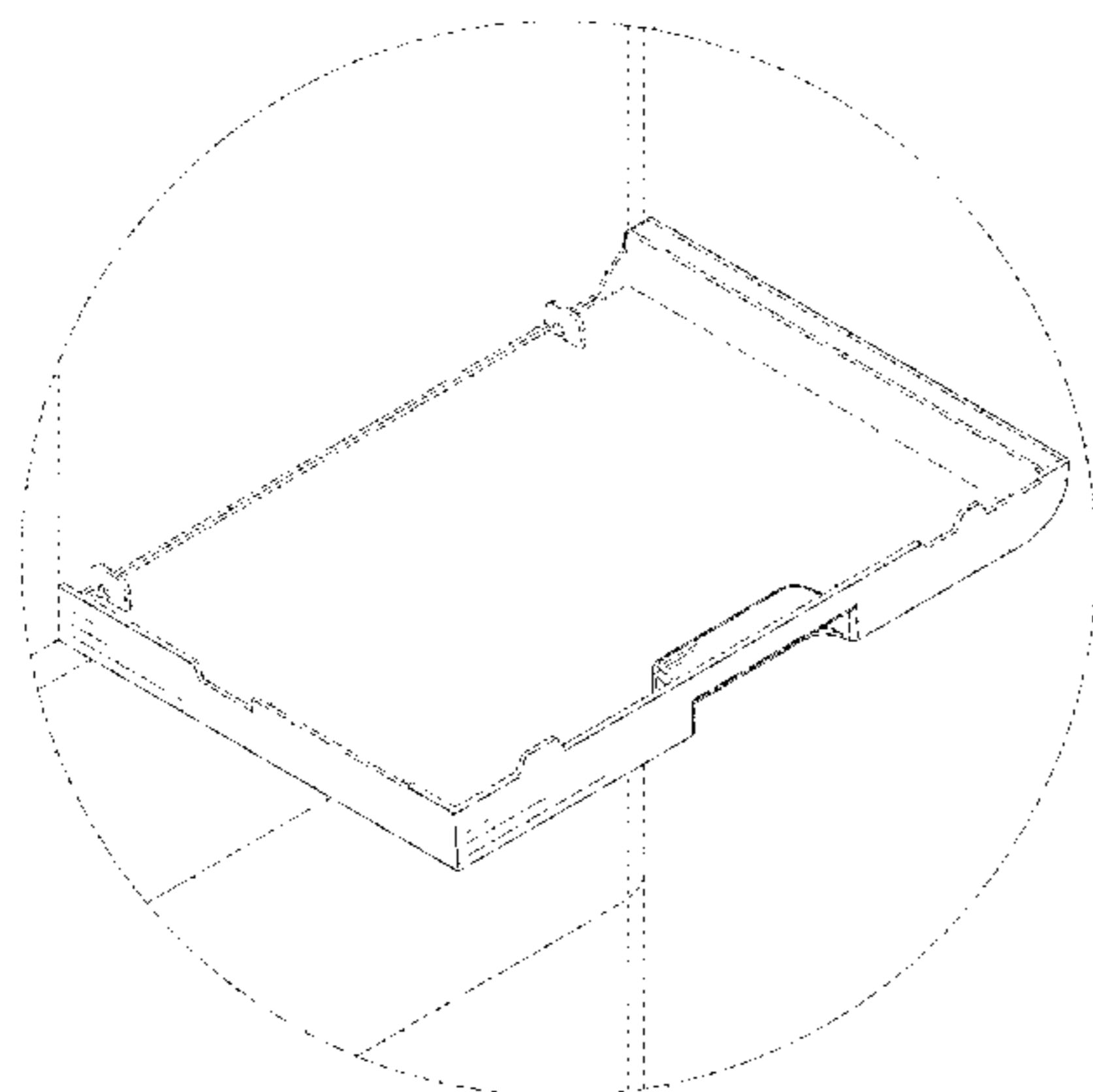
(57) **CLAIM**

The ornamental design for a cover, as shown and described.

DESCRIPTION

FIG. 1 is a first perspective view of a cover showing my new design;
FIG. 2 is a second perspective view thereof;
FIG. 3 is a front view thereof;
FIG. 4 is a rear view thereof;
FIG. 5 is a left side view thereof;
FIG. 6 is a right side view thereof;
FIG. 7 is a top view thereof;
FIG. 8 is a bottom view thereof;
FIG. 9 is a perspective view of the cover shown in an environment of use;
FIG. 10 is another perspective view of the cover shown in an environment of use;
FIG. 11 is an enlarged view of an encircled portion in FIG. 9;
FIG. 12 is an enlarged view of the cover of FIG. 1;
FIG. 13 is an enlarged view of the cover of FIG. 2;
FIG. 14 is an enlarged view of the cover of FIG. 3;
FIG. 15 is an enlarged view of the cover of FIG. 4;
FIG. 16 is an enlarged view of the cover of FIG. 5;
FIG. 17 is an enlarged view of the cover of FIG. 6;
FIG. 18 is an enlarged view of the cover of FIG. 7; and,
FIG. 19 is an enlarged view of the cover of FIG. 8.
The evenly spaced broken lines and the darker longer broken lines shown in the drawings illustrate portions of the cover that form no part of the claimed design. The broken lines showing a multi-function printer in FIGS. 9-11 illustrate environmental structure that forms no part of the claimed design.

1 Claim, 14 Drawing Sheets



(56)

References Cited

U.S. PATENT DOCUMENTS

D792,507 S * 7/2017 Kim D18/49
D795,343 S * 8/2017 Peng D18/49

* cited by examiner

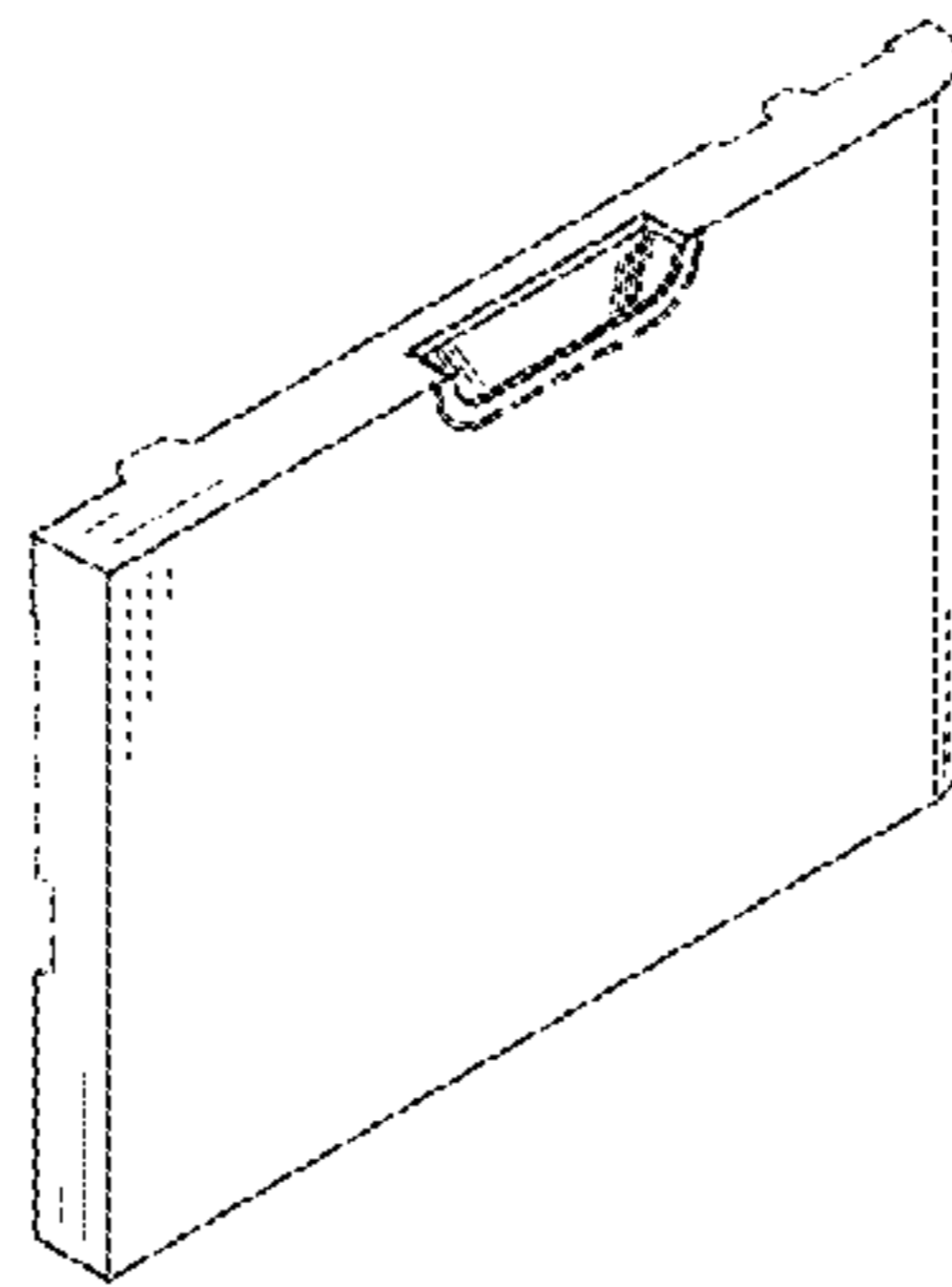


FIG. 1

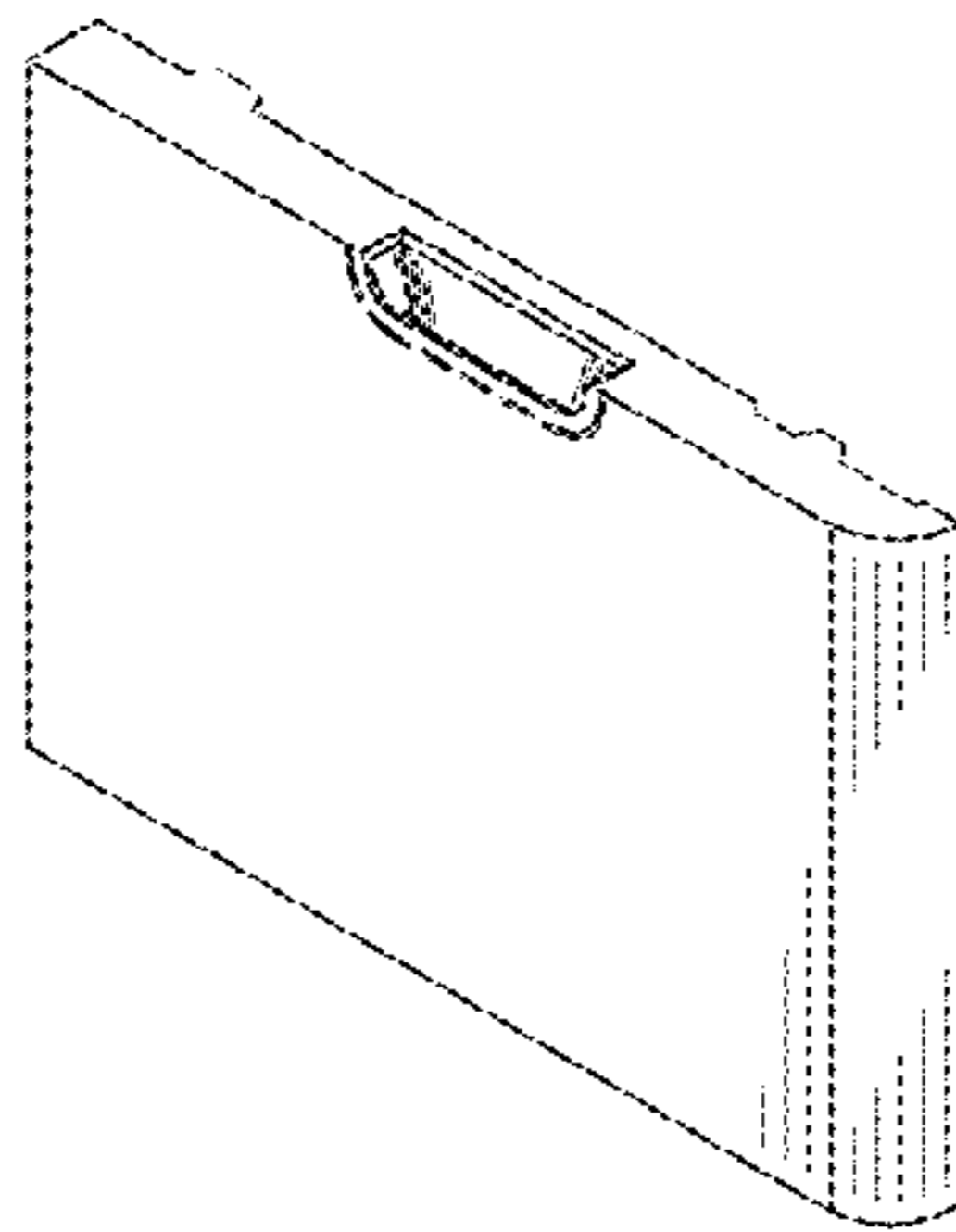


FIG. 2

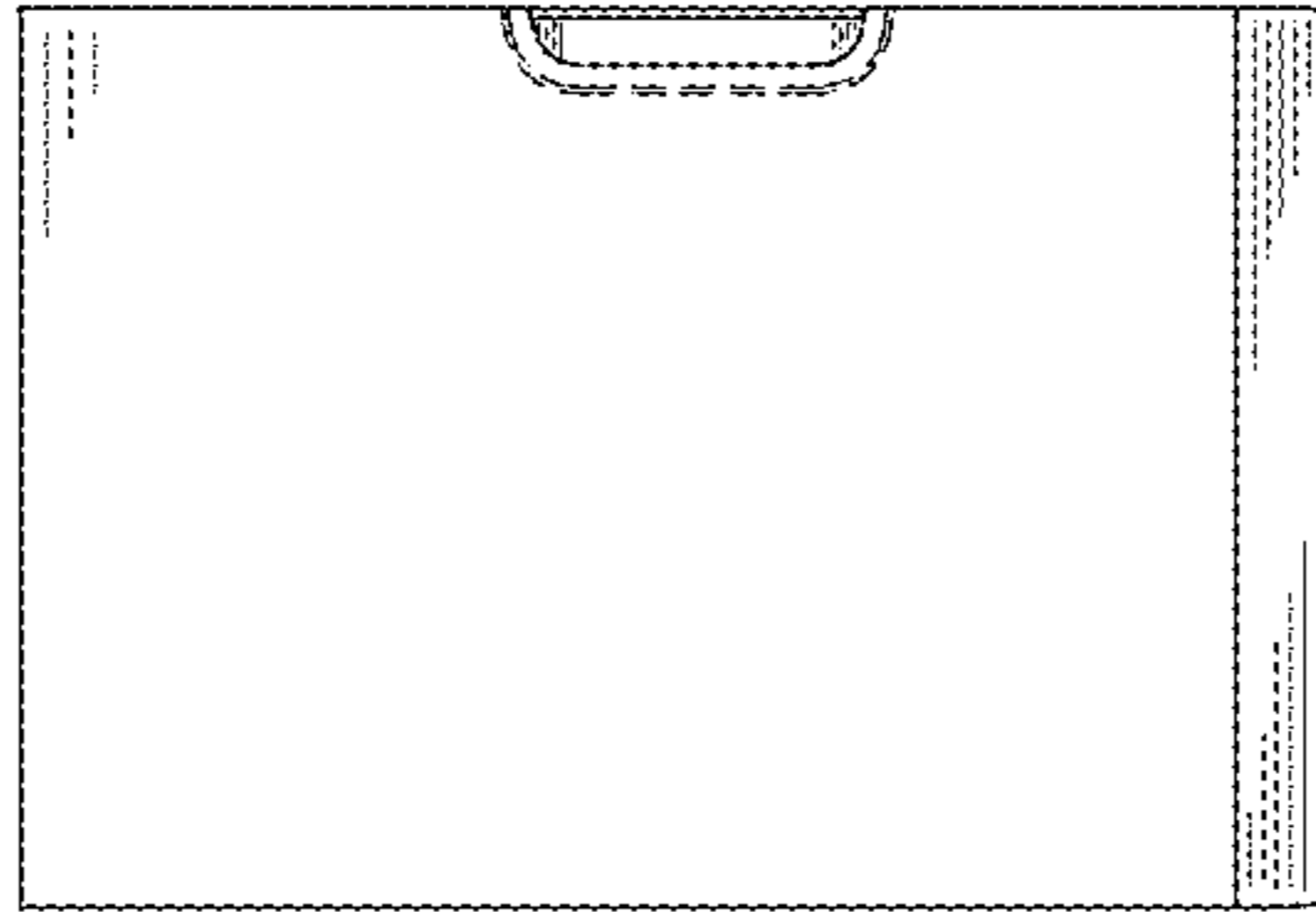


FIG. 3

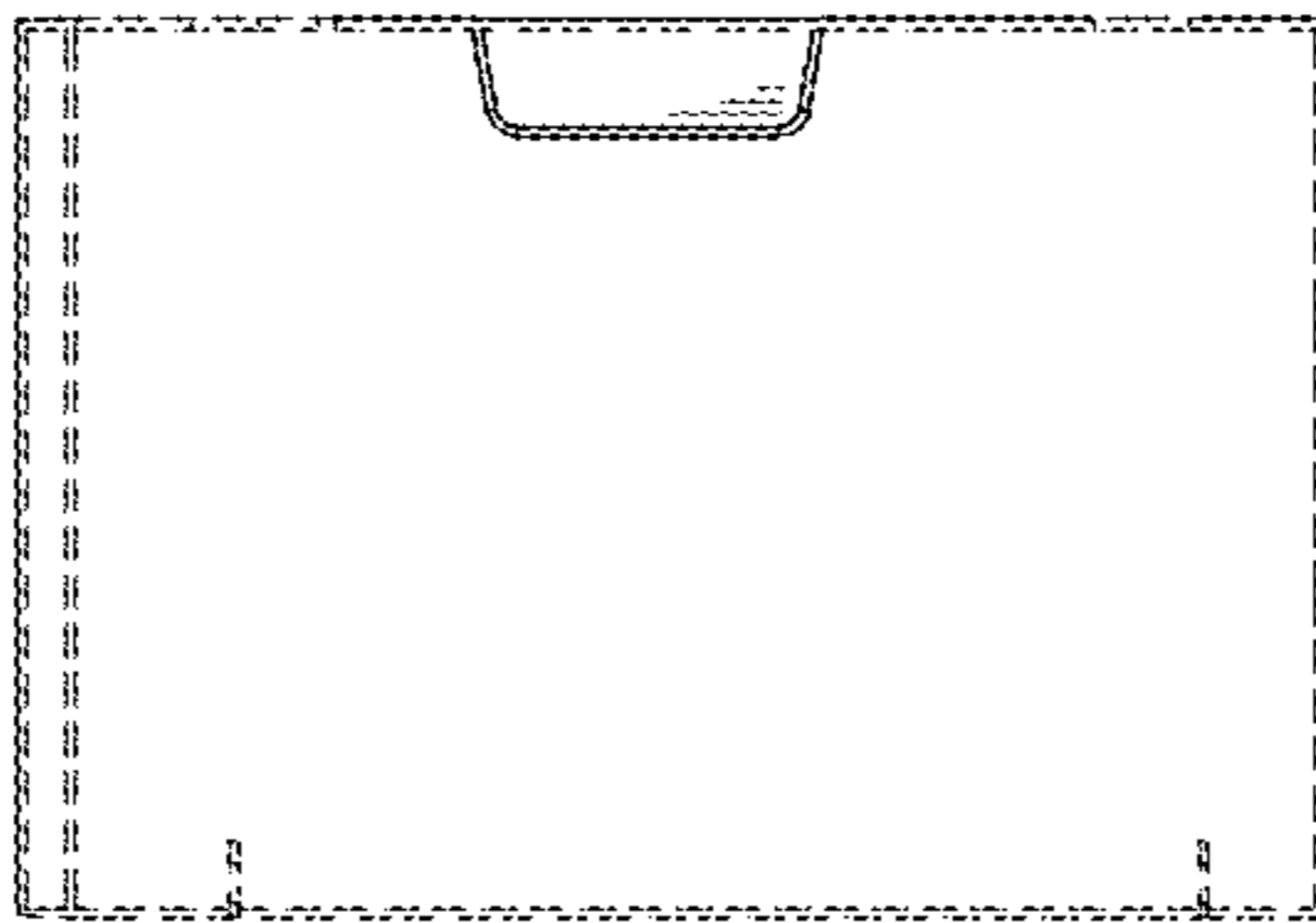


FIG. 4



FIG. 5

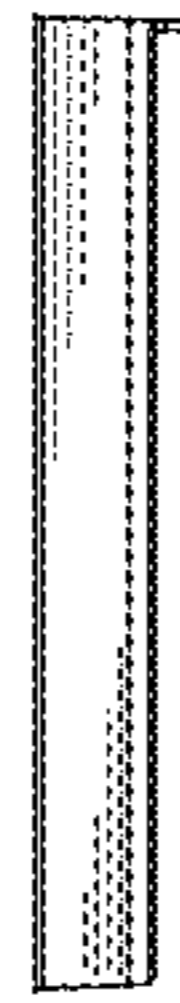


FIG. 6

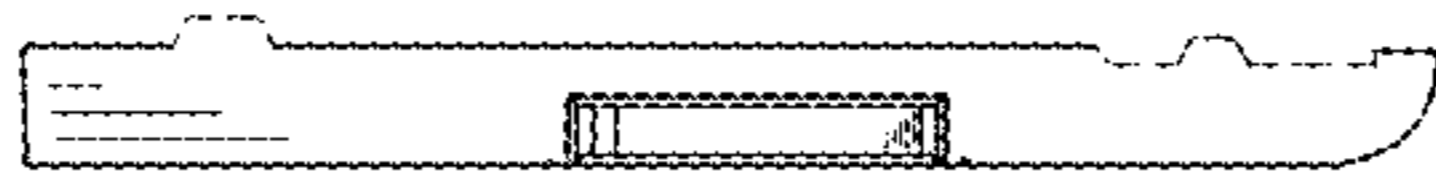


FIG. 7

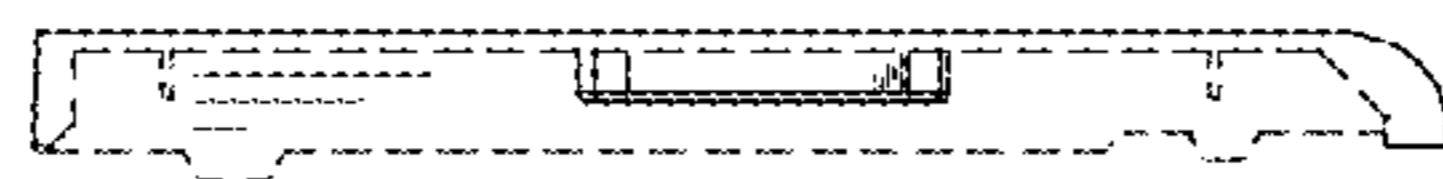


FIG. 8

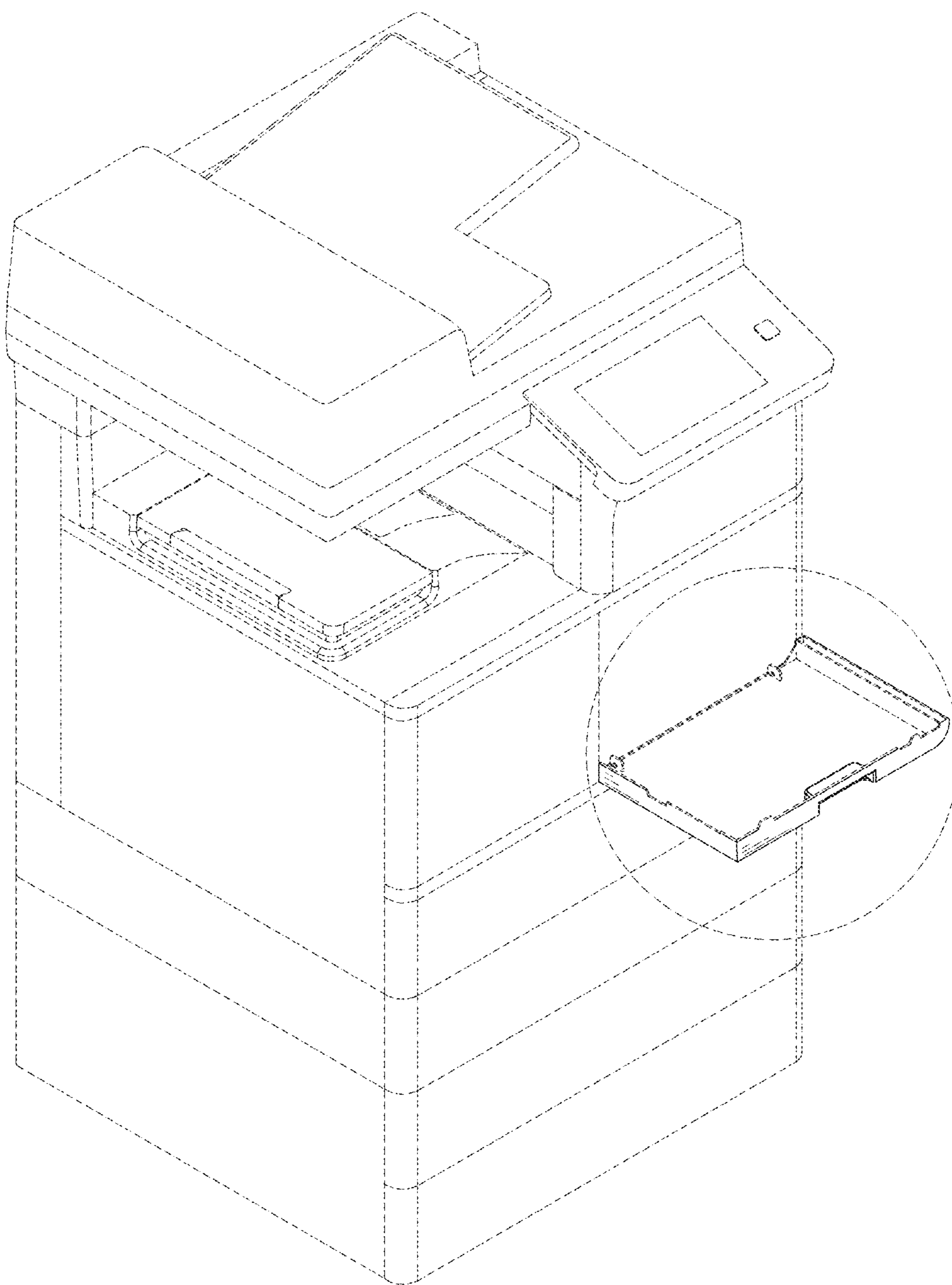


FIG. 9

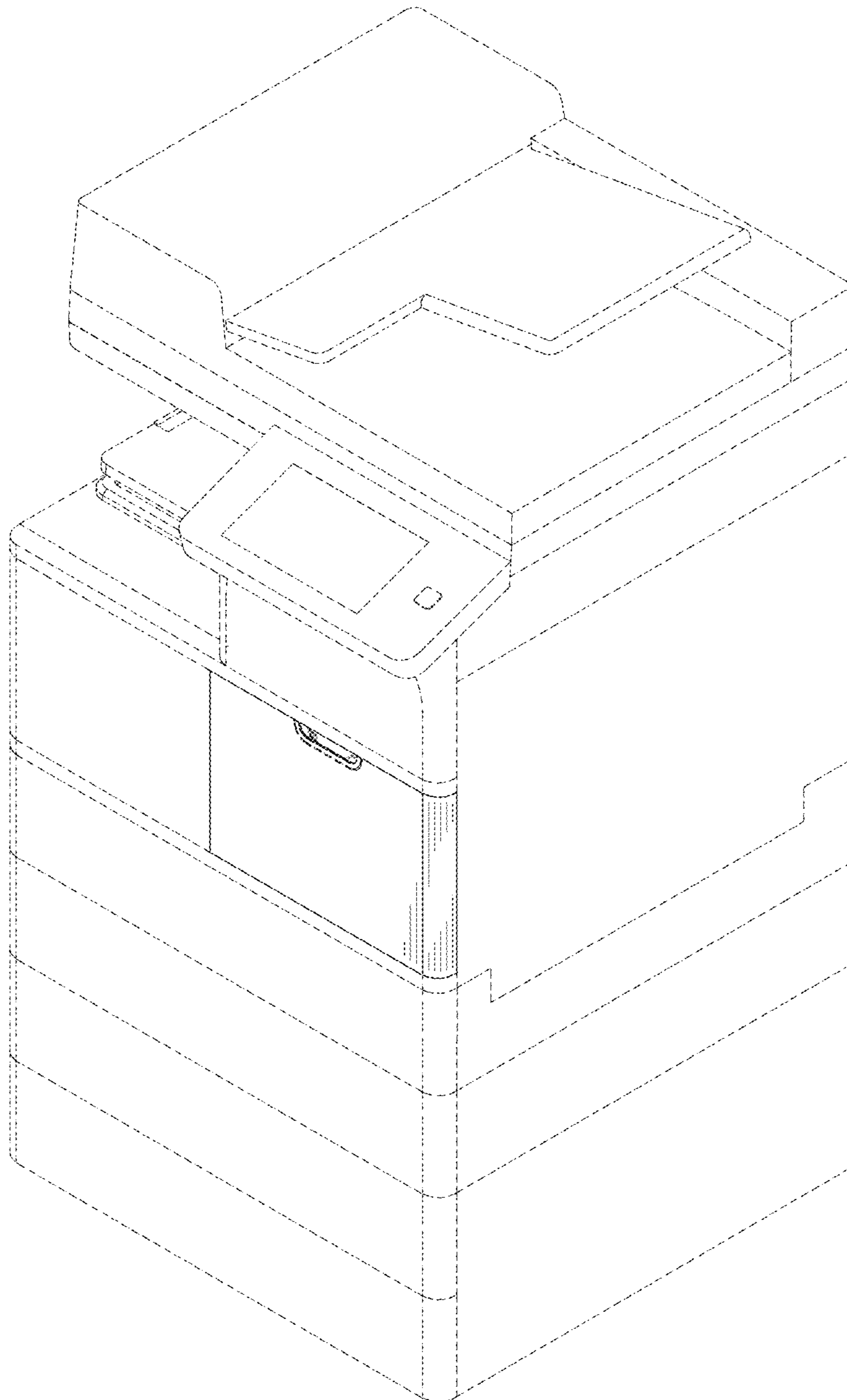


FIG. 10

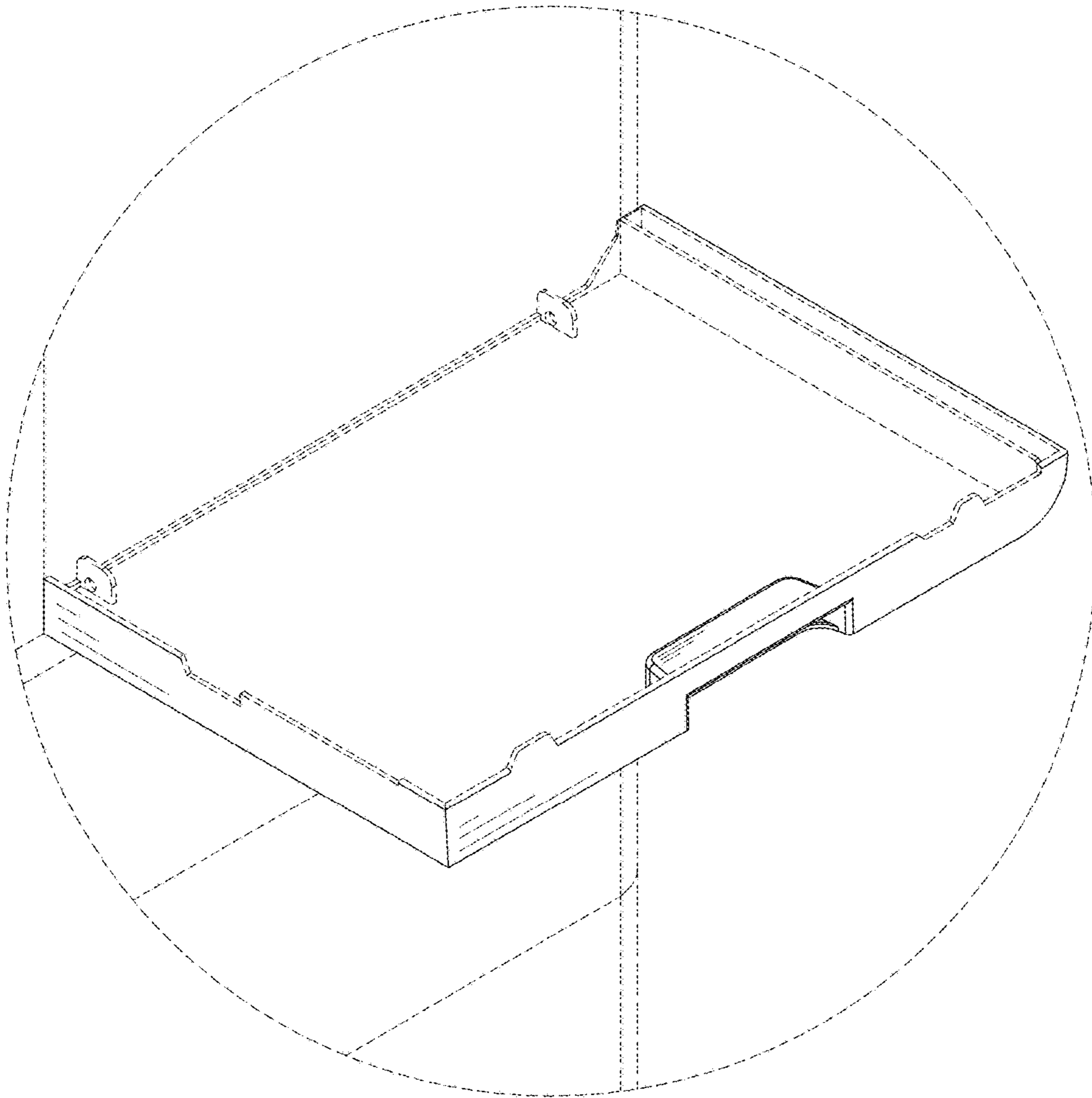


FIG. 11

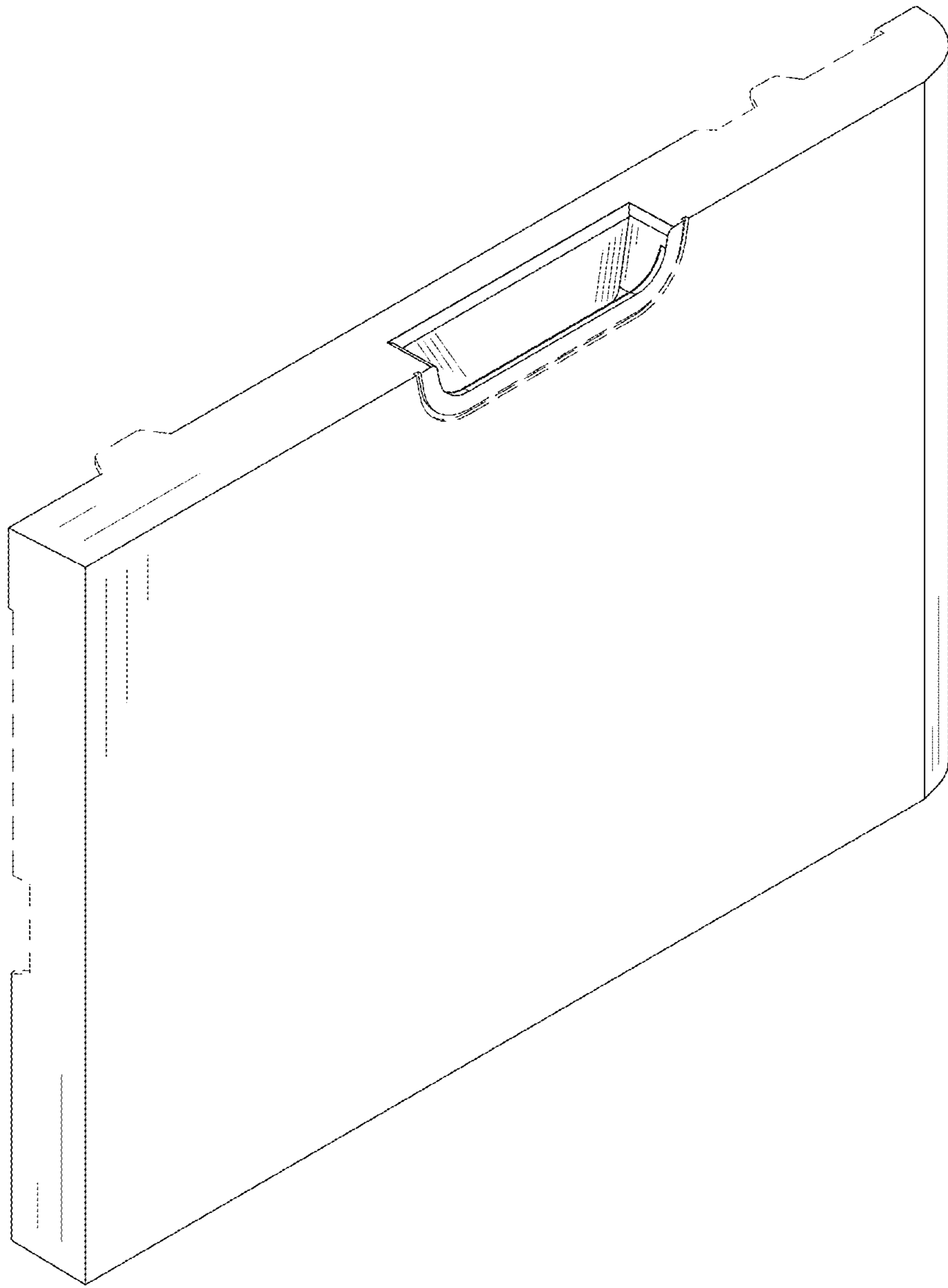


FIG. 12

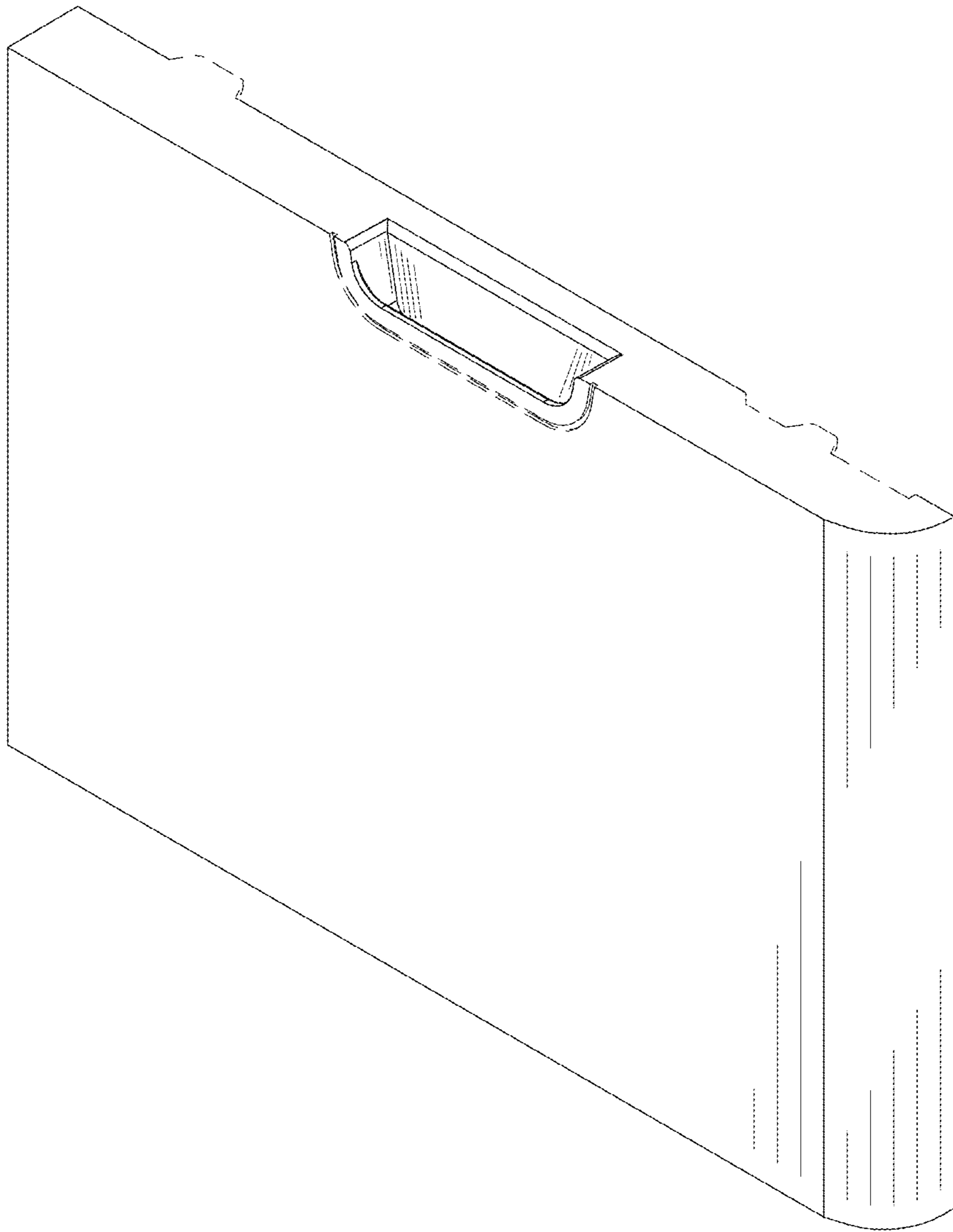


FIG. 13

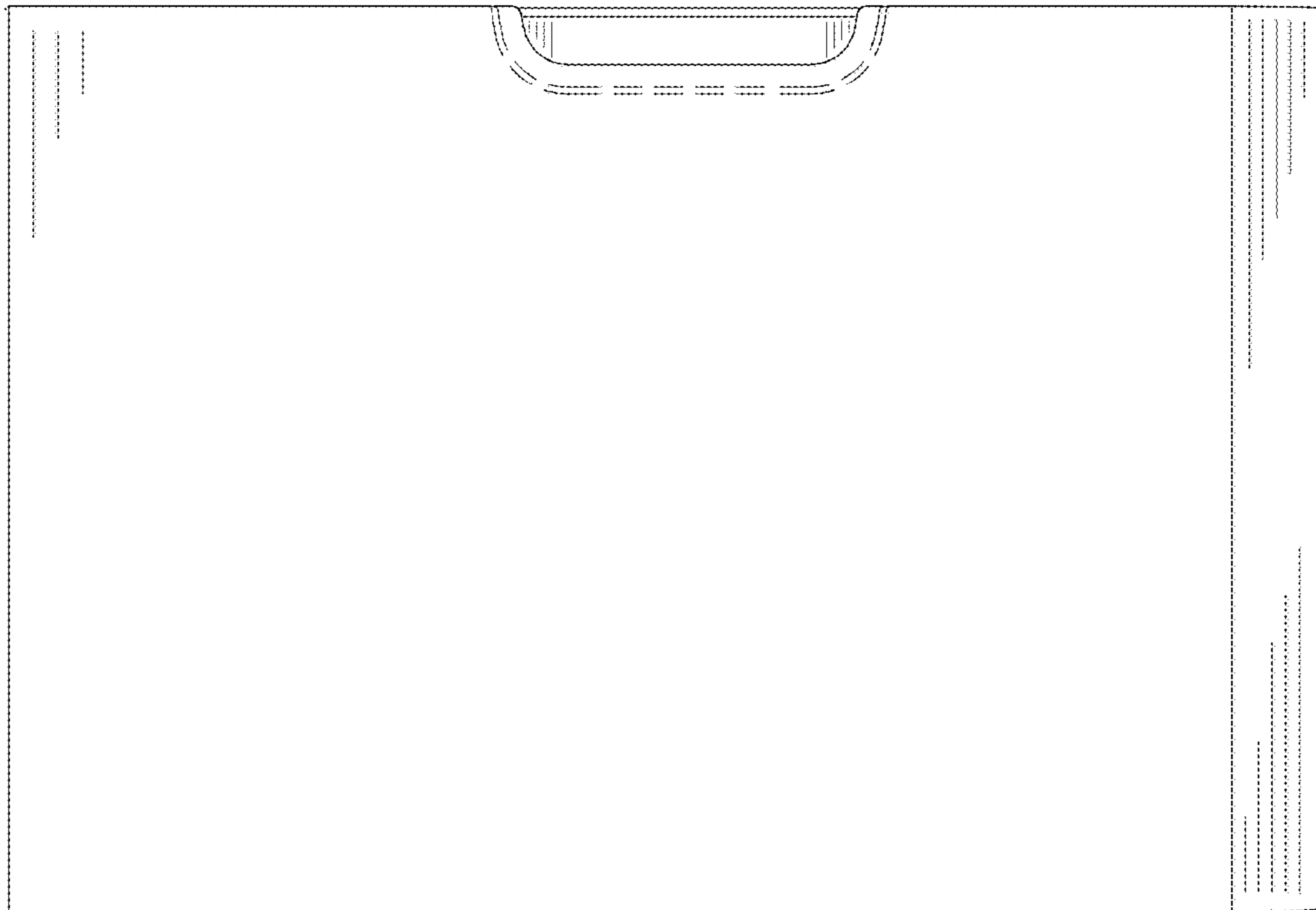


FIG. 14

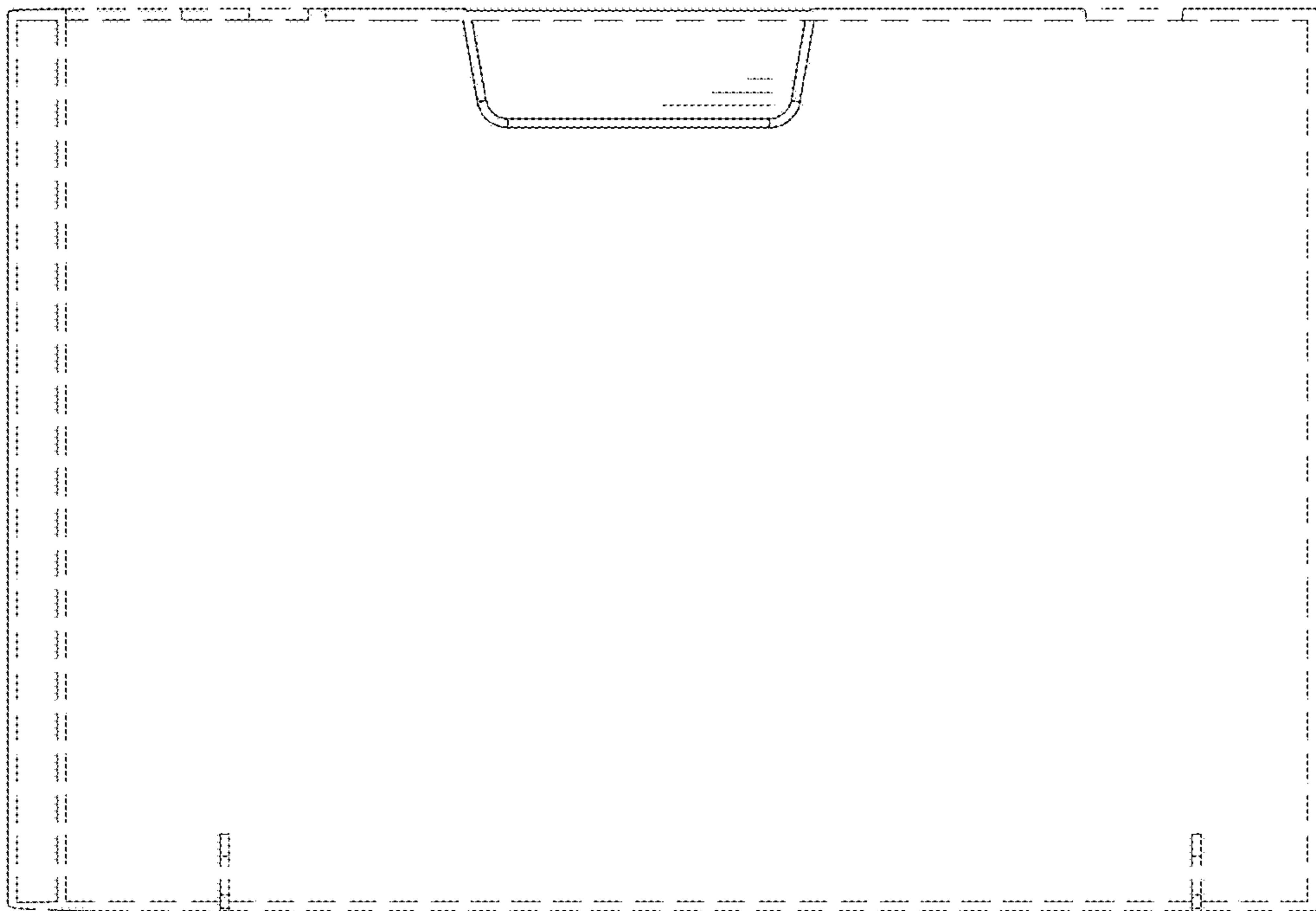


FIG. 15

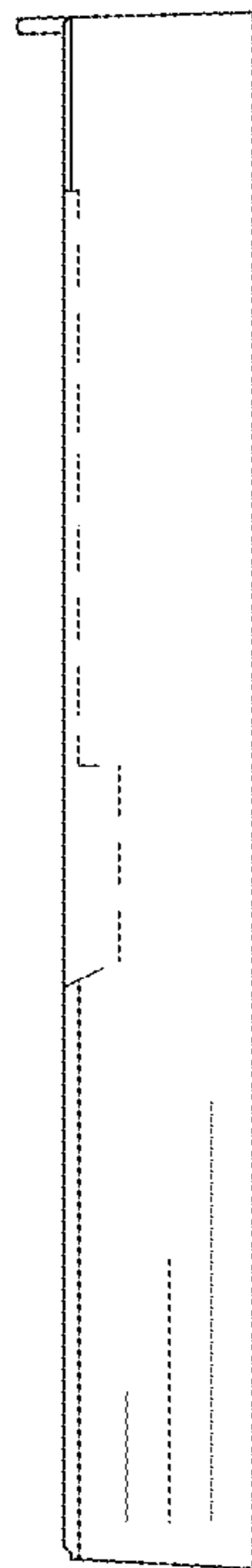


FIG. 16

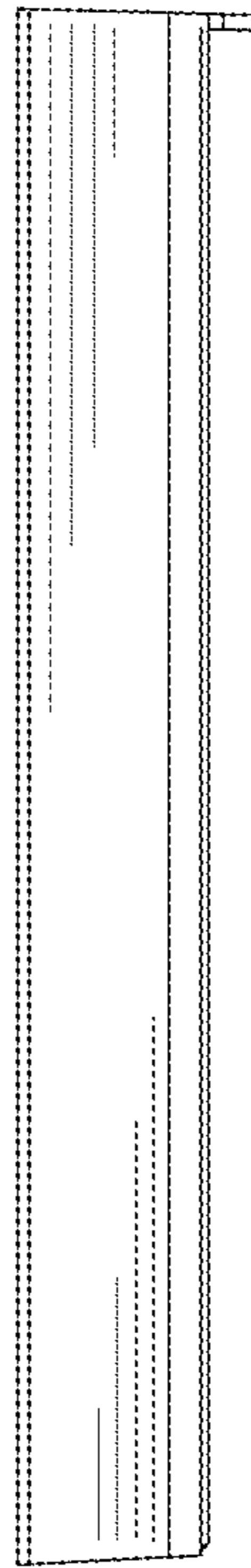


FIG. 17

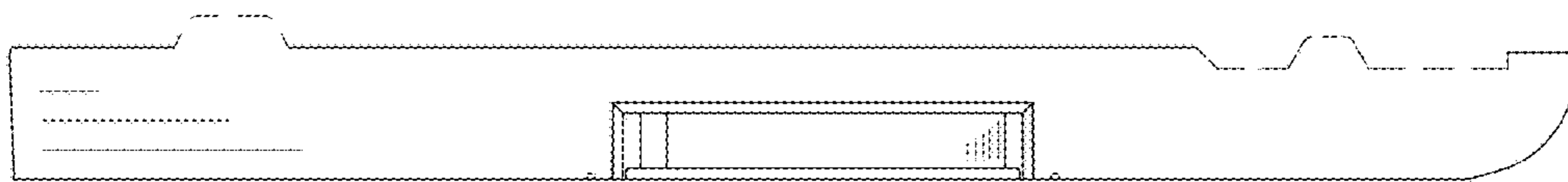


FIG. 18

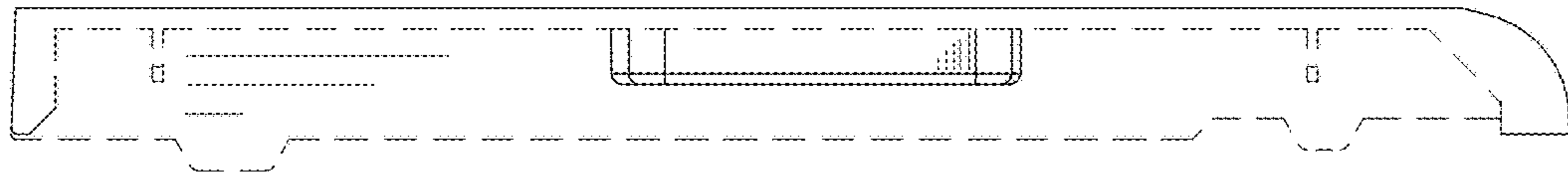


FIG. 19