



US00D818040S

(12) **United States Design Patent** (10) **Patent No.:** **US D818,040 S**
Martin et al. (45) **Date of Patent:** **** May 15, 2018**

(54) **DISPLAY DEVICE FOR A PRINTING MACHINE**

(71) Applicant: **Dover Europe Sàrl**, Vernier (CH)

(72) Inventors: **Elisabeth Martin**, Chatuzange le goubet (FR); **Leslie Le Marec**, Valence (FR); **Christian Araszkievitz**, Larnage (FR)

(73) Assignee: **DOVER EUROPE SÀRL**, Vernier (CH)

(**) Term: **15 Years**

(21) Appl. No.: **29/565,902**

(22) Filed: **May 25, 2016**

(30) **Foreign Application Priority Data**

Feb. 11, 2016 (EM) 002982660-0004

(51) **LOC (11) Cl.** **18-02**

(52) **U.S. Cl.**
USPC **D18/56**

(58) **Field of Classification Search**

USPC D18/4.5, 12, 14, 18, 34.5, 40, 56, 34.9, D18/99, 36, 37, 38, 39, 41, 44, 45, 46, D18/47, 48, 49, 50, 51, 52, 53, 54, 55; D14/483, 432, 434, 345, 346, 425, 462, D14/463, 464, 465, 466, 467, 468, 469, D14/470, 471, 1, 307, 129, 130; 399/1-7, 16, 75, 81, 107, 130, 361, 355, 399/381-383, 388; 101/113; 358/1.1; 355/18, 23, 97; 400/613; 271/278, 226, 271/8.1, 3.14; D15/138, 199; 701/400, 701/408, 409, 410, 414, 415, 421, 491, 701/541; 342/357.76, 419; D10/65
CPC .. B41J 2/17513; B41J 2/1752; B41J 2/17553; B41J 2/17559; B65B 3/027; B65B 3/04; G01S 3/046; G01S 13/9315

See application file for complete search history.

(56) **References Cited**

U.S. PATENT DOCUMENTS

D422,622 S *	4/2000	Ono	D14/346
7,538,723 B2 *	5/2009	Davis	G01C 21/265 342/357.76
D594,357 S *	6/2009	Riddiford	D10/65
D611,363 S *	3/2010	Lenz	D10/65
D645,898 S *	9/2011	Stenzel	D18/53
D664,591 S *	7/2012	Ohta	D18/41
8,260,542 B2 *	9/2012	Kimishima	G01C 21/26 701/400
D716,799 S *	11/2014	Green	D14/341
D725,699 S *	3/2015	Eun	D18/4.4
D726,253 S *	4/2015	Kim	D18/50
D761,901 S *	7/2016	Kim	D14/371

(Continued)

Primary Examiner — Cynthia Ramirez

Assistant Examiner — Michael A Maharajh

(74) *Attorney, Agent, or Firm* — Pearne & Gordon LLP

(57) **CLAIM**

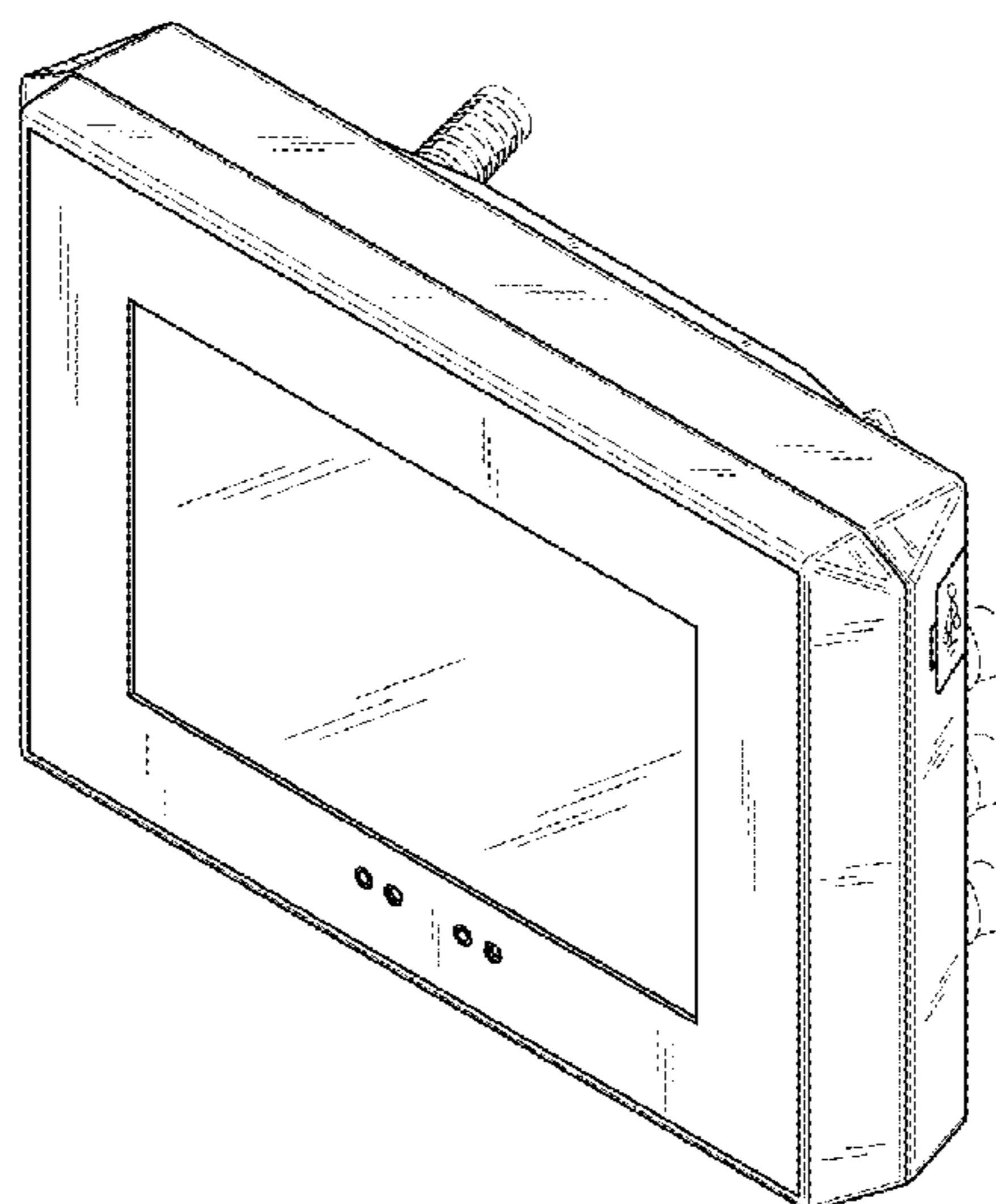
The ornamental design for a display device for a printing machine, as shown and described.

DESCRIPTION

FIG. 1 is a perspective view of a part of a display device for a printing machine showing our new design;
FIG. 2 is a top plan view thereof;
FIG. 3 is a front elevational view thereof;
FIG. 4 is a right-side elevational view thereof;
FIG. 5 is a left-side elevational view thereof;
FIG. 6 is a rear elevational view thereof; and,
FIG. 7 is a bottom plan view thereof.

The portions of the part of the printing machine shown in broken lines form no part of the claimed design. The broken line showing of the junction piece in FIGS. 2, 6 and 7 is for the purpose of illustrating environment and forms no part of the claimed design.

1 Claim, 3 Drawing Sheets



(56)

References Cited

U.S. PATENT DOCUMENTS

D763,352 S * 8/2016 Kim D18/56
2015/0120179 A1 * 4/2015 Miyata G01C 21/3635
701/408

* cited by examiner

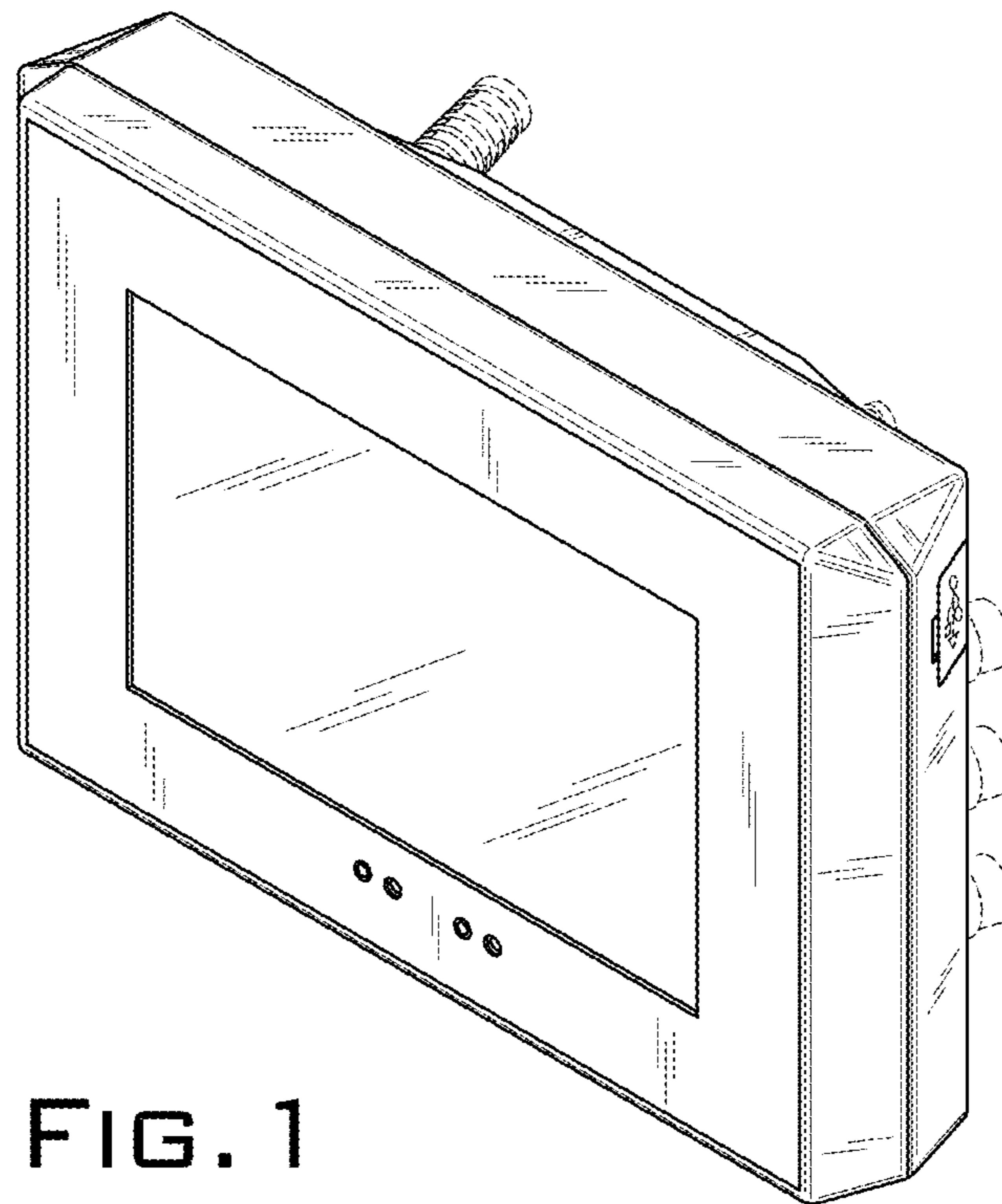


FIG. 1

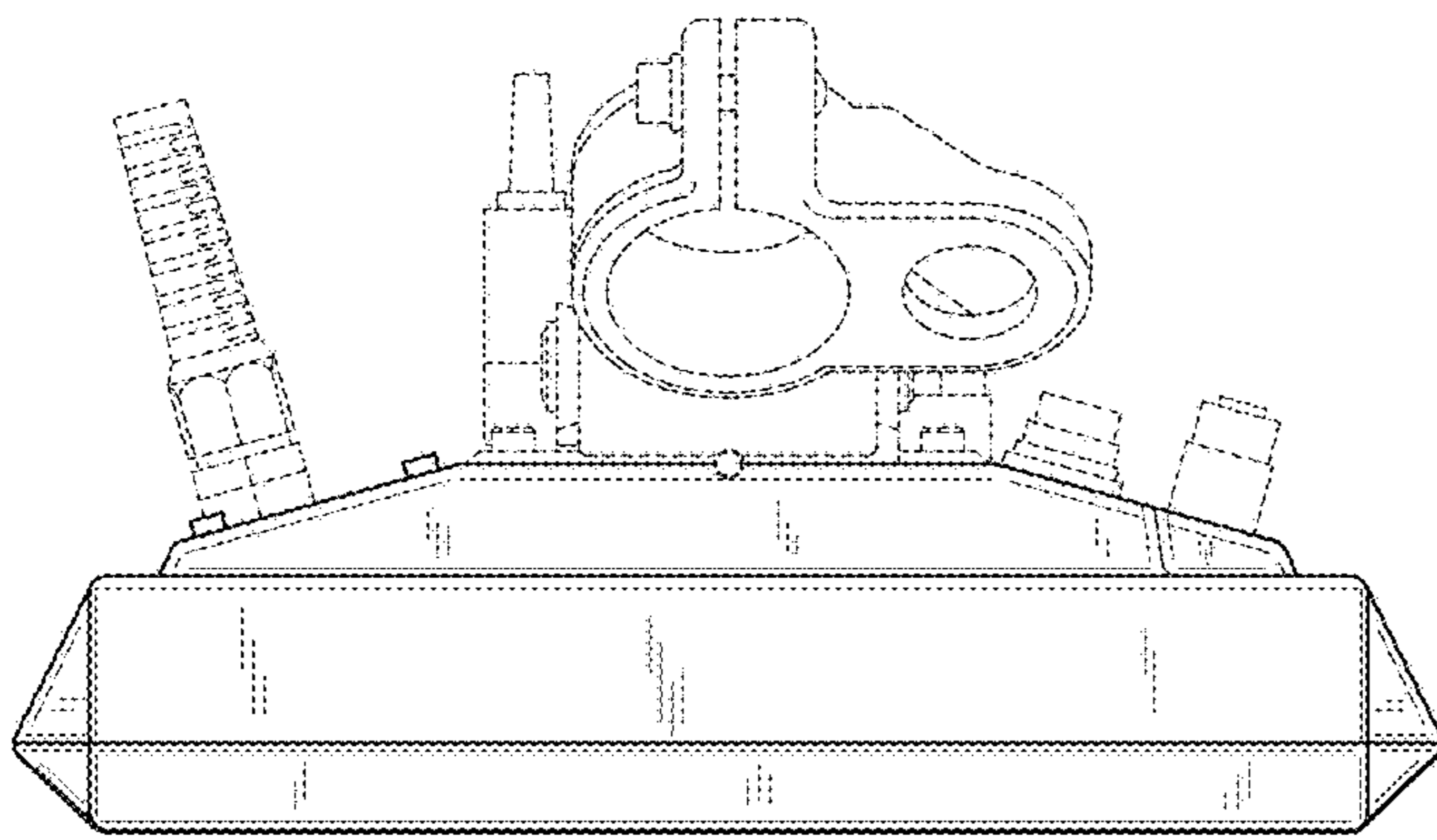


FIG. 2

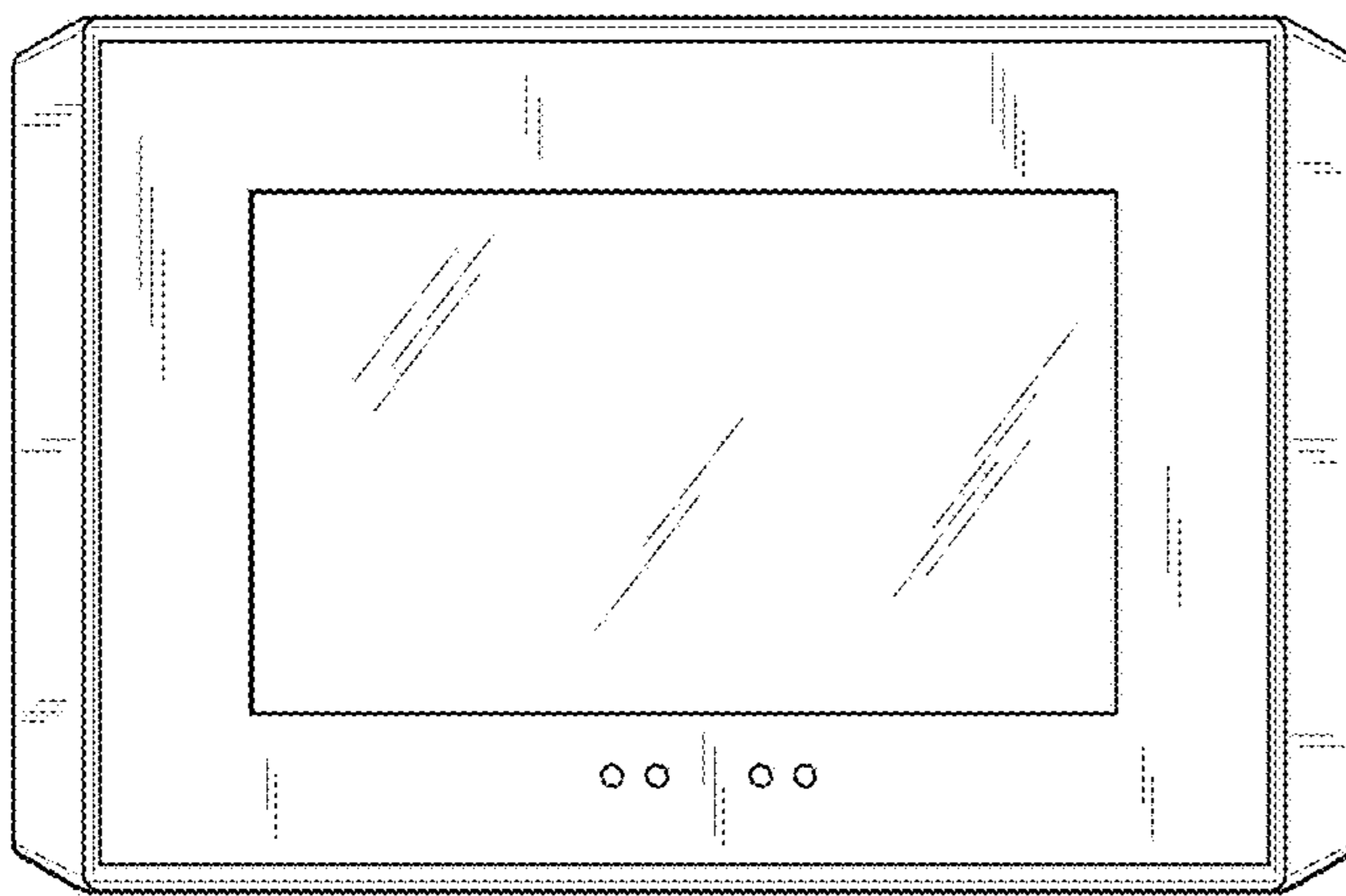


FIG. 3

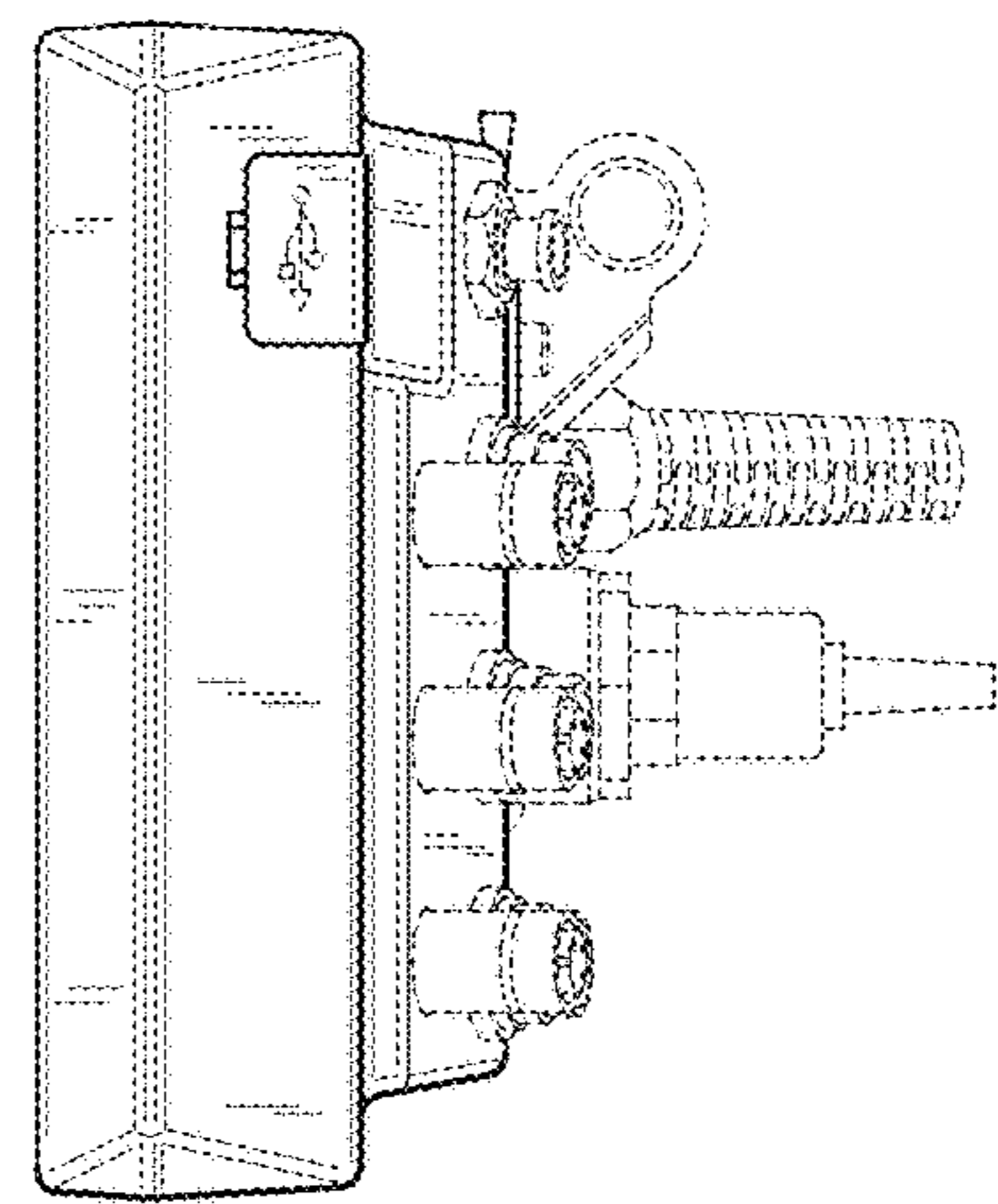


FIG. 4

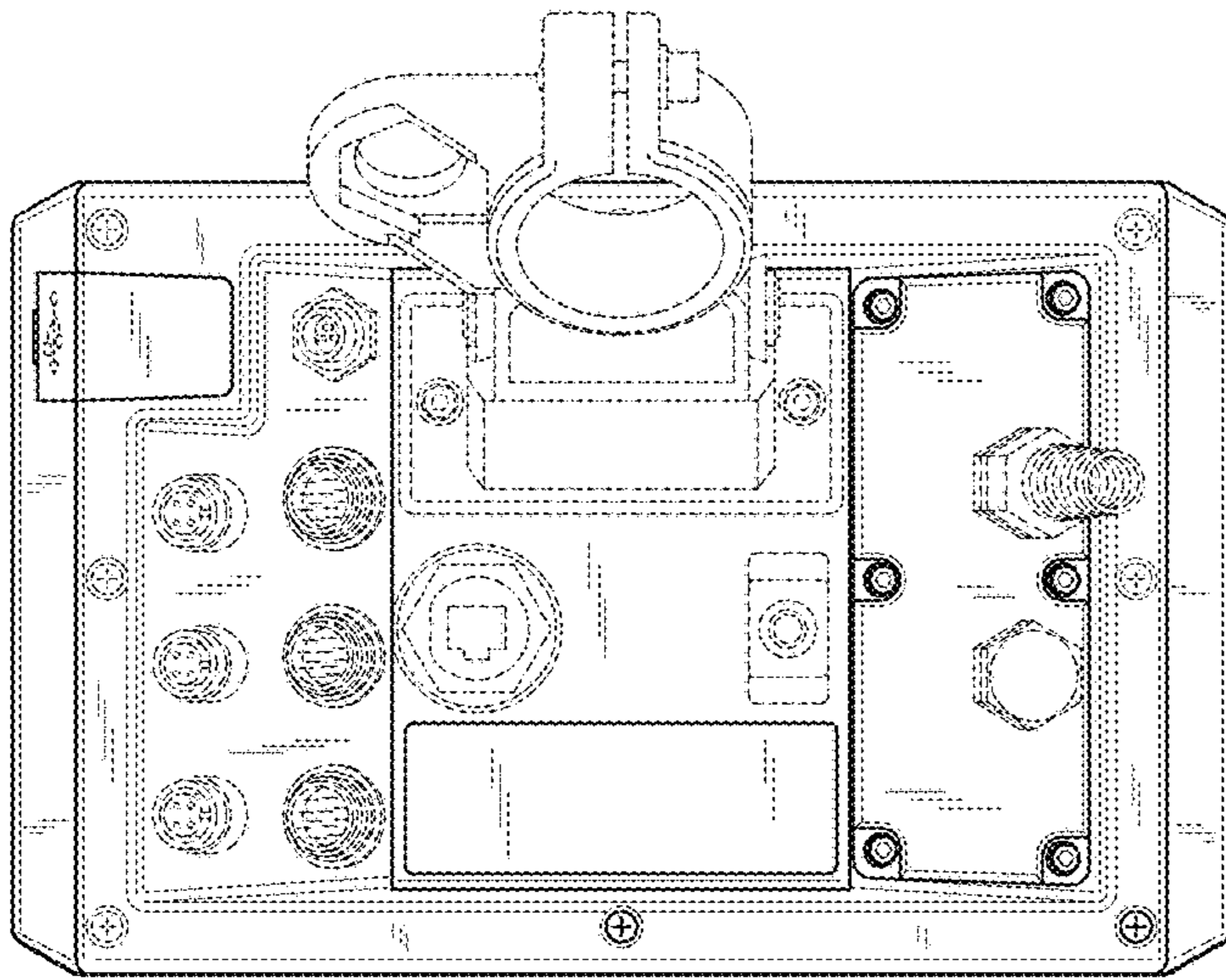


FIG. 6

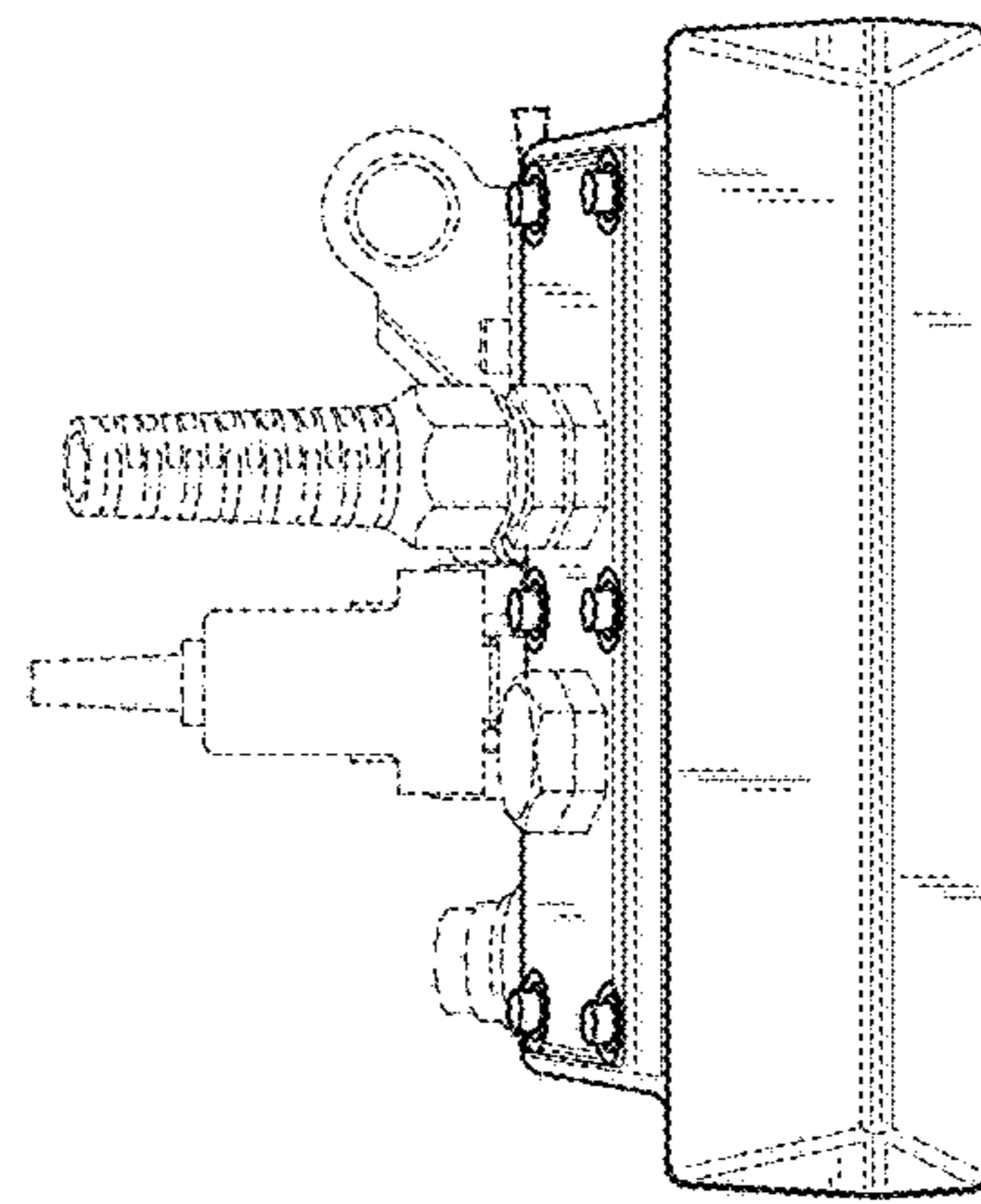


FIG. 5

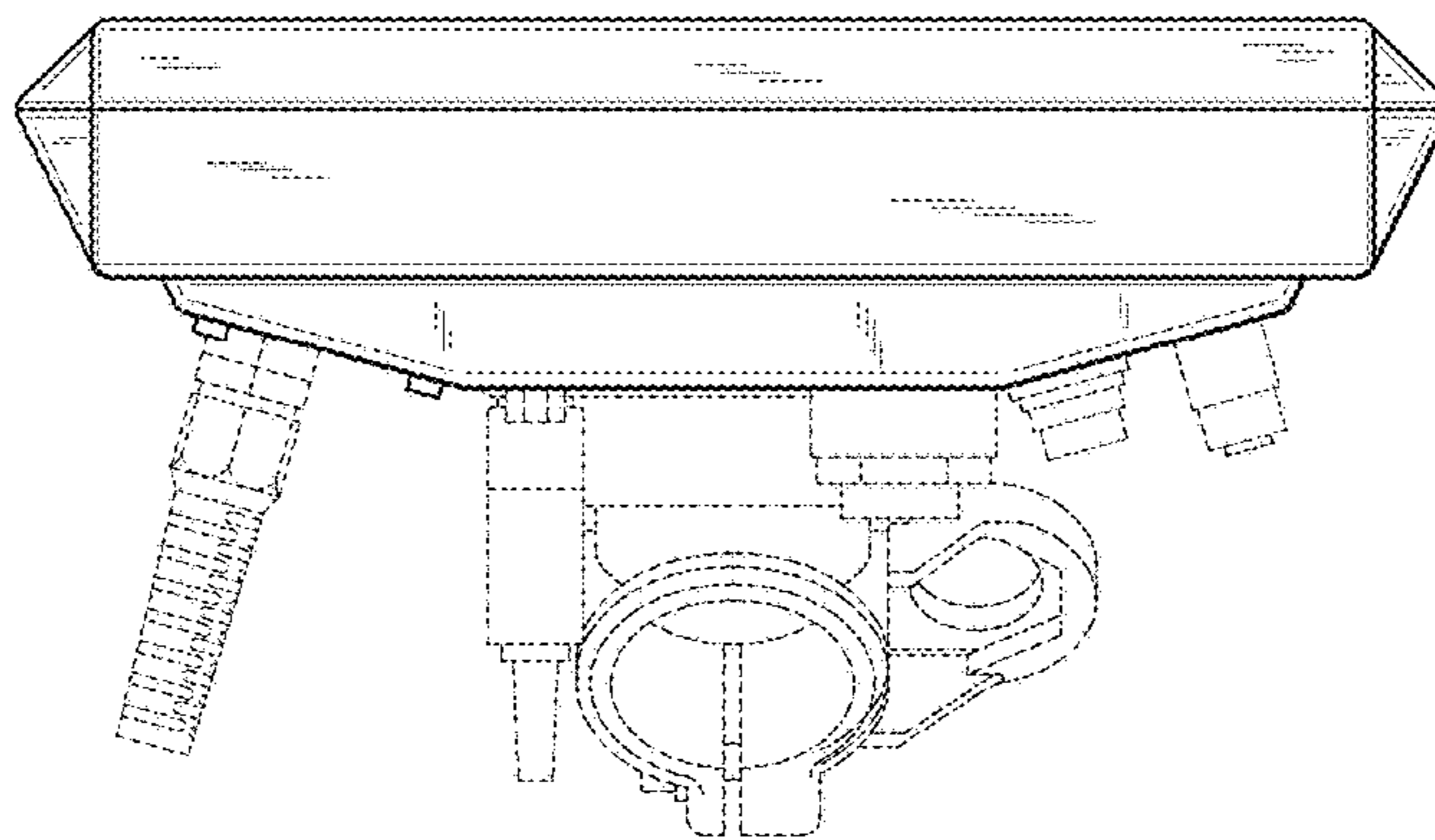


FIG. 7