



US00D818039S

(12) **United States Design Patent**  
**Tomomatsu et al.**

(10) **Patent No.:** **US D818,039 S**  
(45) **Date of Patent:** **\*\* May 15, 2018**

(54) **PRINTER**

(71) Applicant: **SEIKO EPSON CORPORATION,**  
Tokyo (JP)

(72) Inventors: **Shinsuke Tomomatsu,** Matsumoto (JP);  
**Shin Yokota,** Matsumoto (JP); **Shoichi**  
**Ishizawa,** Nagano (JP)

(73) Assignee: **SEIKO EPSON CORPORATION,**  
Tokyo (JP)

(\*\*) Term: **15 Years**

(21) Appl. No.: **29/565,676**

(22) Filed: **May 24, 2016**

(30) **Foreign Application Priority Data**

Nov. 25, 2015 (JP) ..... 2015-026249  
Apr. 5, 2016 (JP) ..... 2016-007546

(51) **LOC (11) Cl.** ..... **18-02**

(52) **U.S. Cl.**  
USPC ..... **D18/50**

(58) **Field of Classification Search**

USPC ..... D18/12, 14, 18, 19, 36, 37, 38, 39, 43,  
D18/50, 54, 54.1, 55, 56, 99; D14/420,  
D14/421, 422, 423, 424, 425, 462, 463,  
D14/464, 465, 466, 467, 668, 469, 470,  
D14/480.5, 483, 484  
CPC . B41J 31/16; B41J 32/02; B41J 19/202; B41J  
29/377; B41J 15/042; B41J 3/4075; B41J  
11/58; B41J 15/12; B41J 29/02; B41J  
17/00

See application file for complete search history.

(56) **References Cited**

**U.S. PATENT DOCUMENTS**

D205,806 S \* 9/1966 Plantholt ..... D18/36  
D333,316 S \* 2/1993 Ishizawa ..... D18/55  
D340,471 S \* 10/1993 Yamamoto ..... D18/19

(Continued)

**OTHER PUBLICATIONS**

Epson PLQ-20, [online], [site visited Sep. 25, 2017]. Available from  
Internet, URL: [https://epson.com/Support/Point-of-Sale/Special-Function-Printers/Epson-PLQ-20/s/SPT\\_C11C560301.\\*](https://epson.com/Support/Point-of-Sale/Special-Function-Printers/Epson-PLQ-20/s/SPT_C11C560301.*)

(Continued)

*Primary Examiner* — Caron D Veynar

*Assistant Examiner* — Katrina N Gonzalez

(57) **CLAIM**

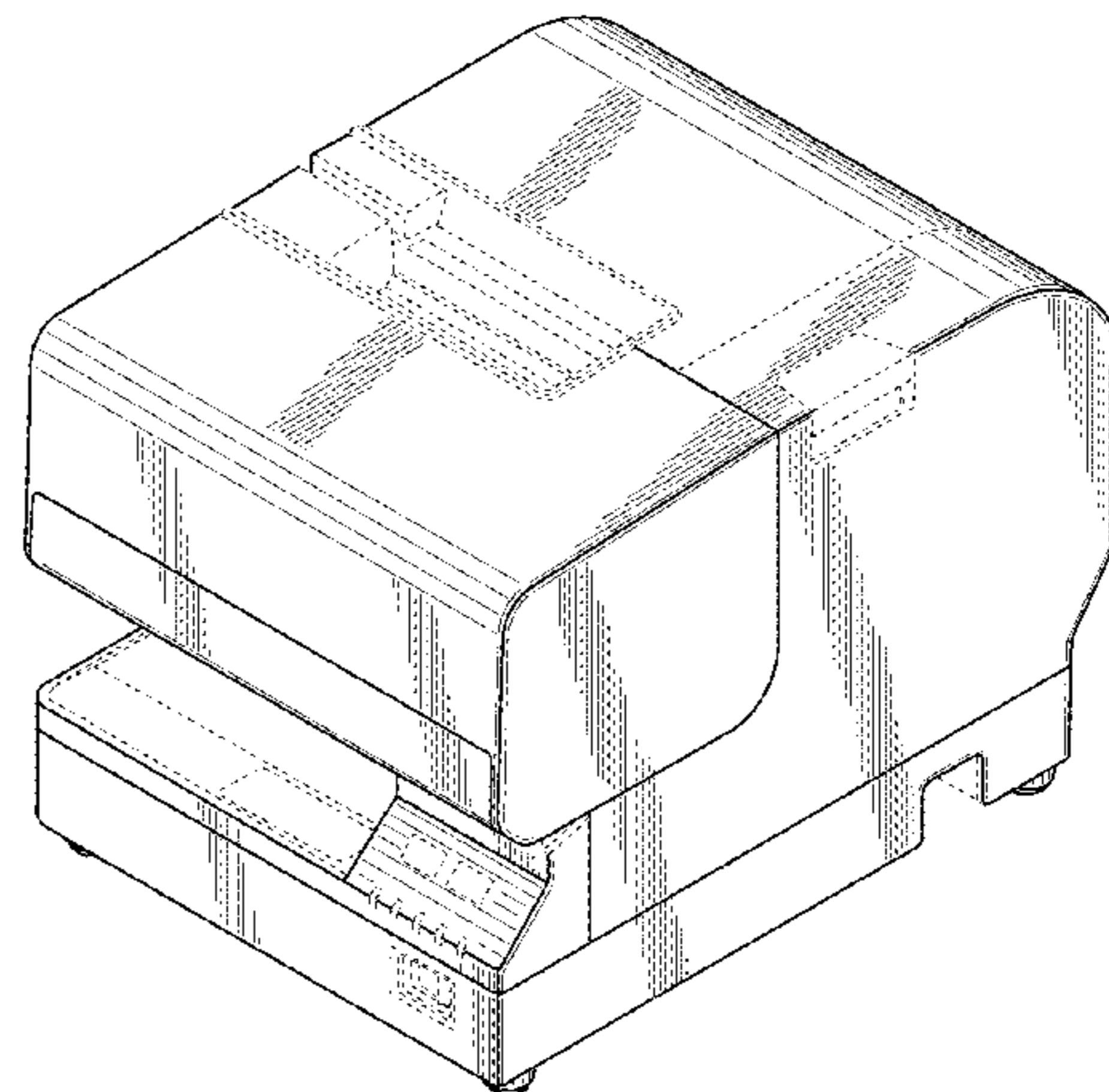
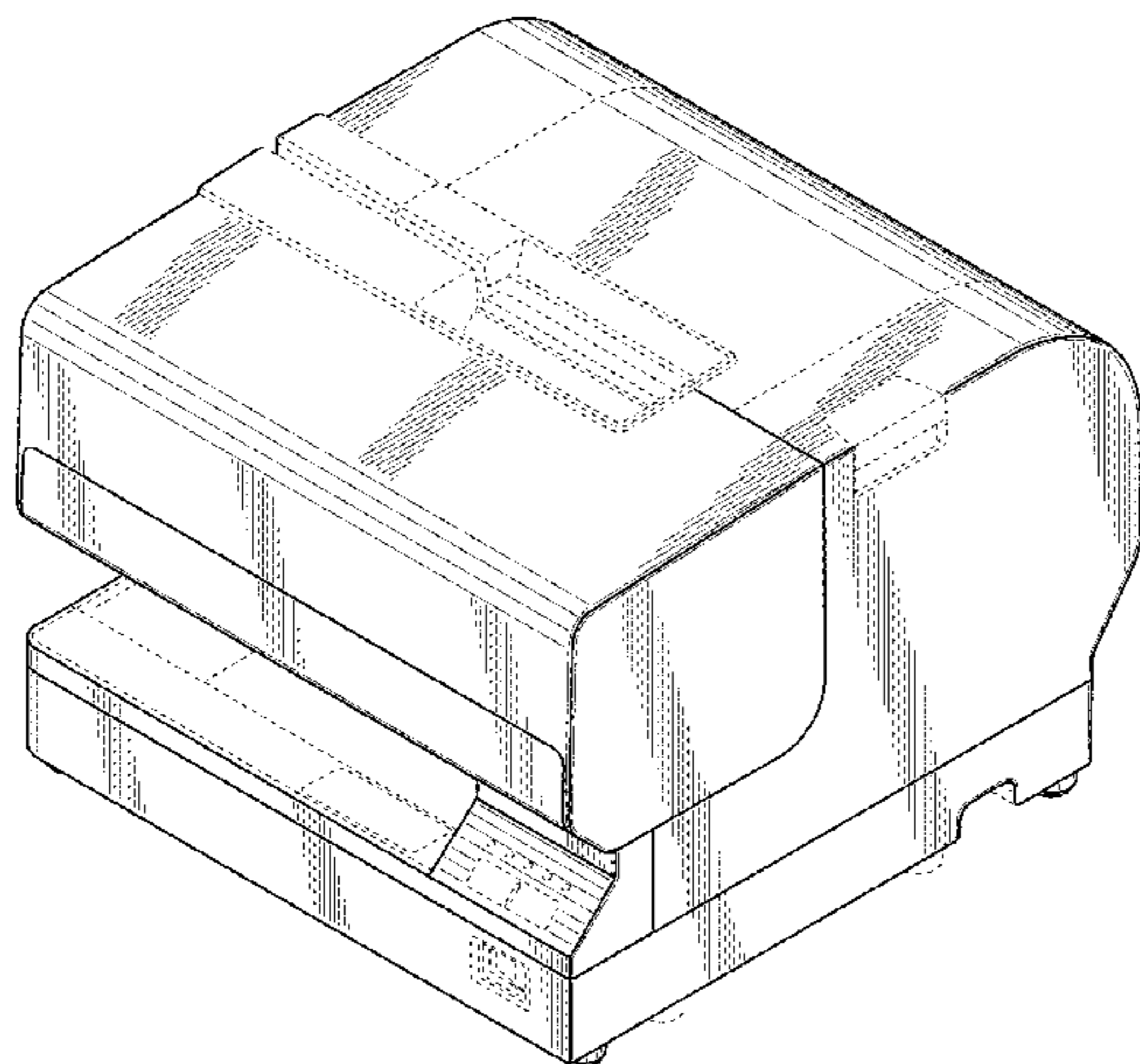
The ornamental design for a printer, as shown and described.

**DESCRIPTION**

FIG. 1 is a front, top, and right side perspective view of a first embodiment of a printer showing our new design; FIG. 2 is a rear, top, and left side perspective view thereof; FIG. 3 is a front view thereof; FIG. 4 is a rear view thereof; FIG. 5 is a top plan view thereof; FIG. 6 is a bottom plan view thereof; FIG. 7 is a right side view thereof; FIG. 8 is a left side view thereof; FIG. 9 is a front, top, and right side perspective view of a second embodiment of a printer showing our new design; FIG. 10 is a rear, top, and left side perspective view thereof; FIG. 11 is a front view thereof; FIG. 12 is a rear view thereof; FIG. 13 is a top plan view thereof; FIG. 14 is a bottom plan view thereof; FIG. 15 is a right side view thereof; and, FIG. 16 is a left side view thereof.

The broken lines are shown for the purpose of illustrating parts of the printer that form no part of the claimed design.

**1 Claim, 16 Drawing Sheets**



(56)

**References Cited**

## U.S. PATENT DOCUMENTS

D343,190 S \* 1/1994 Ishizawa ..... D18/50  
D369,177 S \* 4/1996 Kasai ..... D14/332  
D466,148 S \* 11/2002 Yang ..... D18/36  
D571,807 S \* 6/2008 Ogawa ..... D14/422  
D640,735 S \* 6/2011 Kimura ..... D18/50  
D645,897 S \* 9/2011 Chuang ..... D18/50  
D677,720 S \* 3/2013 Tanaka ..... D18/55  
D752,139 S \* 3/2016 Seki ..... D18/50  
D758,483 S \* 6/2016 Seki ..... D18/50  
D767,671 S \* 9/2016 Endo ..... D18/50

## OTHER PUBLICATIONS

Epson TM-H6000IV, [online], [site visited Sep. 25, 2017]. Available from Internet, URL: [https://epson.com/Support/Point-of-Sale/Multifunction-Printers/Epson-TM-H6000IV/s/SPT\\_C31CB25014](https://epson.com/Support/Point-of-Sale/Multifunction-Printers/Epson-TM-H6000IV/s/SPT_C31CB25014).\*

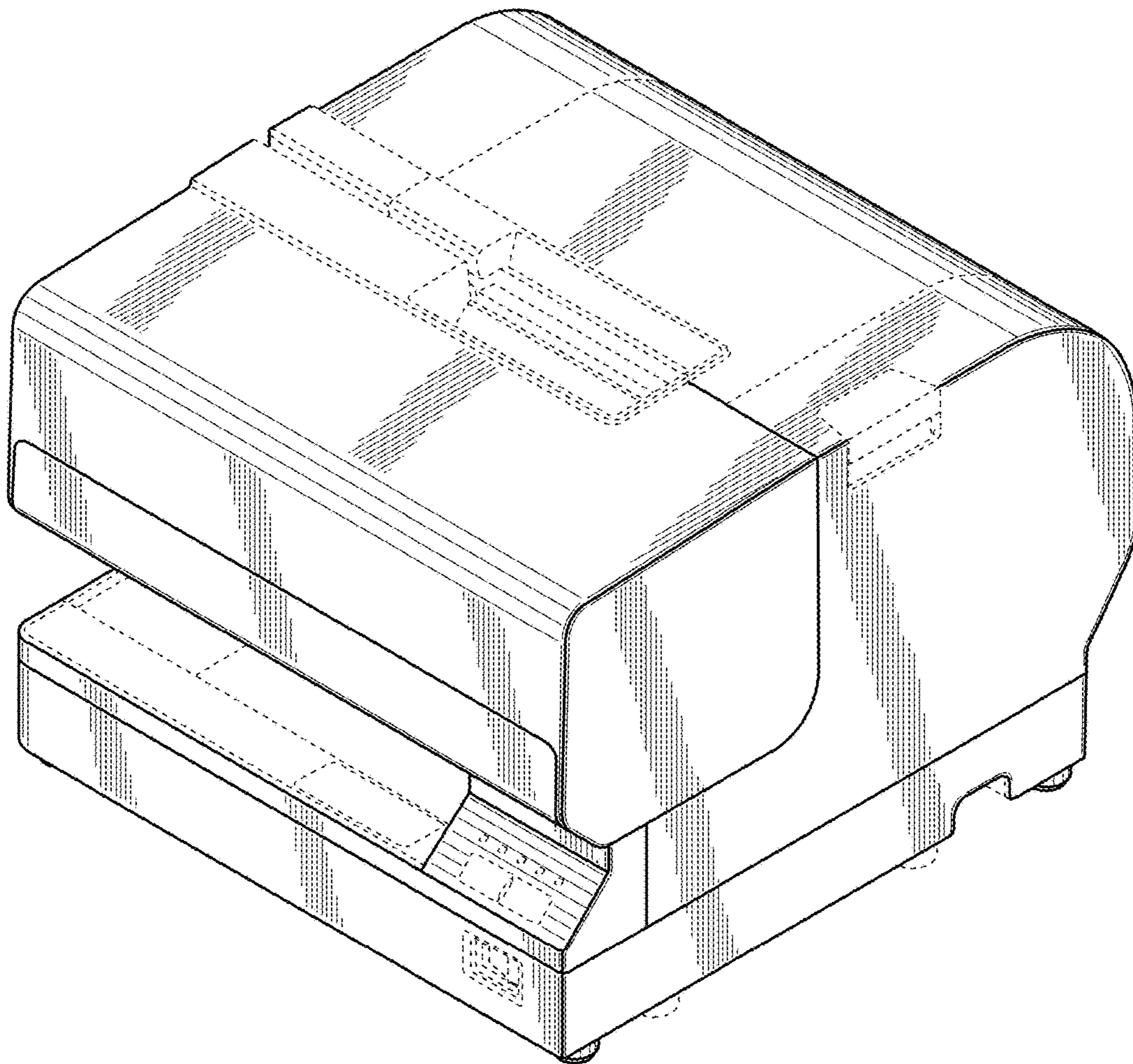
J7600\_Multifunction, [online], [site visited Sep. 25, 2017]. Available from Internet, URL: [https://epson.com/Support/Point-of-Sale/Multifunction-Printers/Epson-TM-J7500-J7600/s/SPT\\_C31C520111](https://epson.com/Support/Point-of-Sale/Multifunction-Printers/Epson-TM-J7500-J7600/s/SPT_C31C520111).\*

TM-J7500, [online], [site visited Sep. 25, 2017]. Available from Internet, URL: <https://web.archive.org/web/20130913000853/http://epson.ua:80/catalog/retail/TM-J7600/>.\*

TM-J7500—Catalog—Epson Ukraine, [online], [site visited Sep. 25, 2017]. Available from Internet, URL: <http://epson.ua/catalog/retail/TM-J7600/>.\*

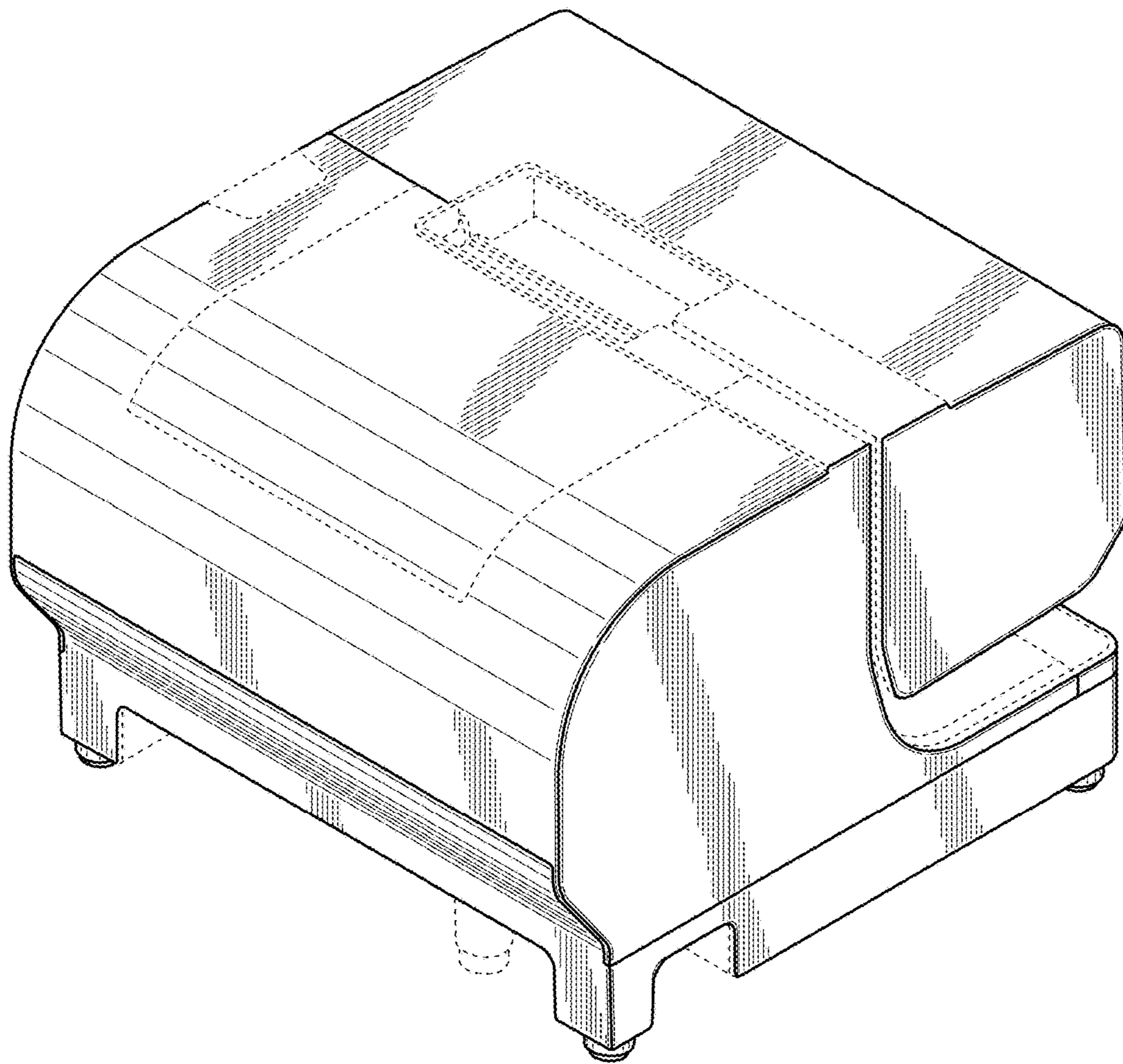
\* cited by examiner

**FIG. 1**

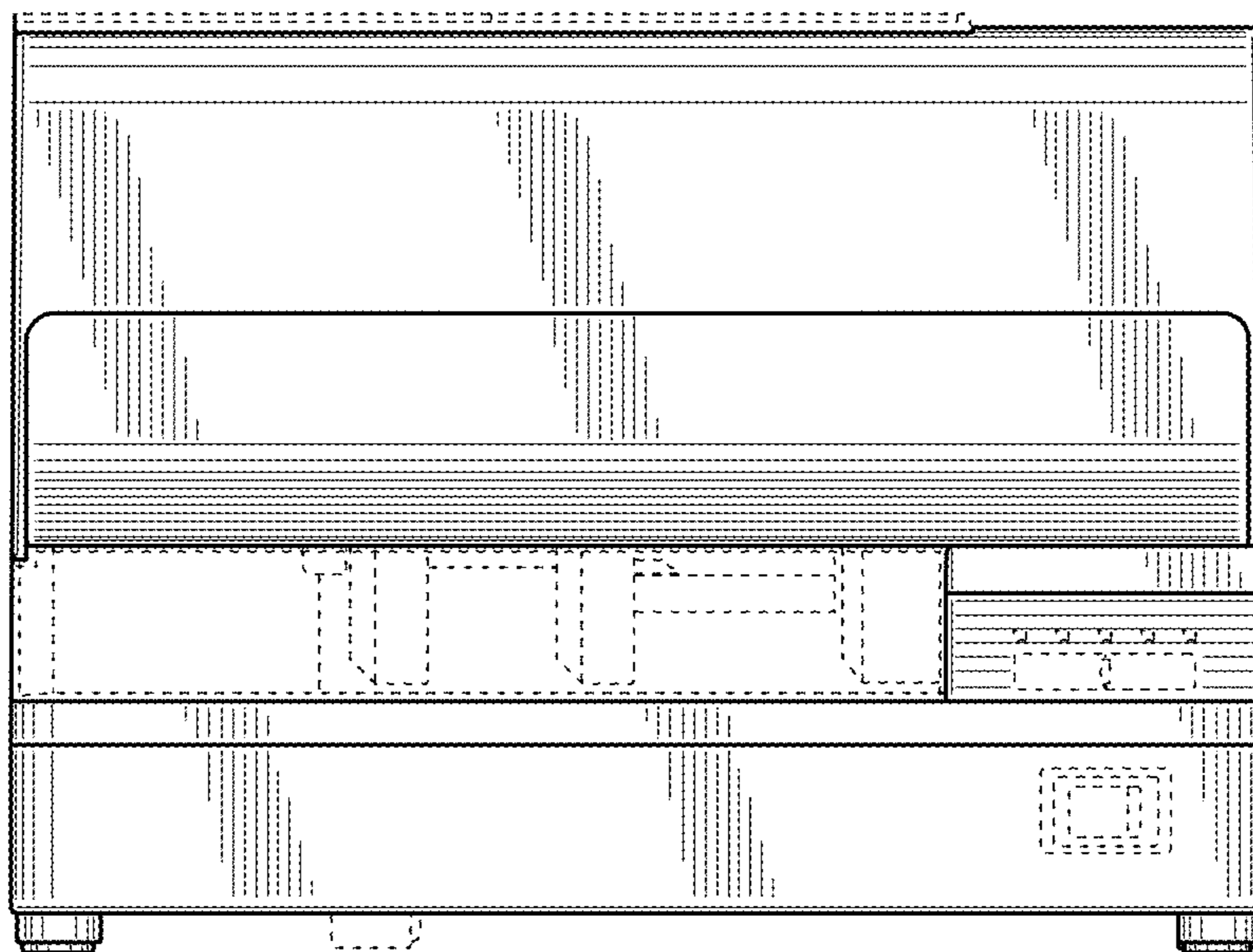




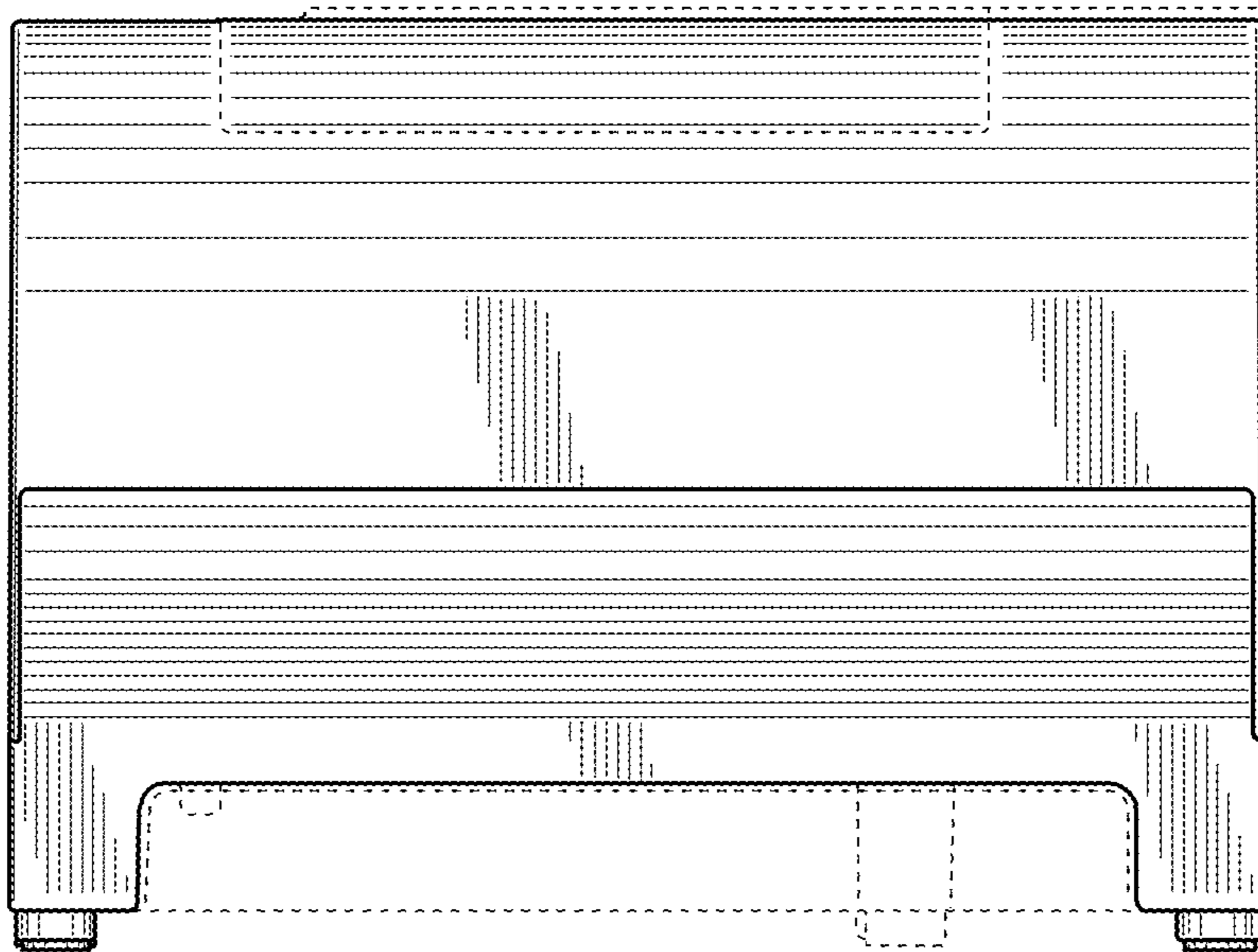
**FIG. 2**



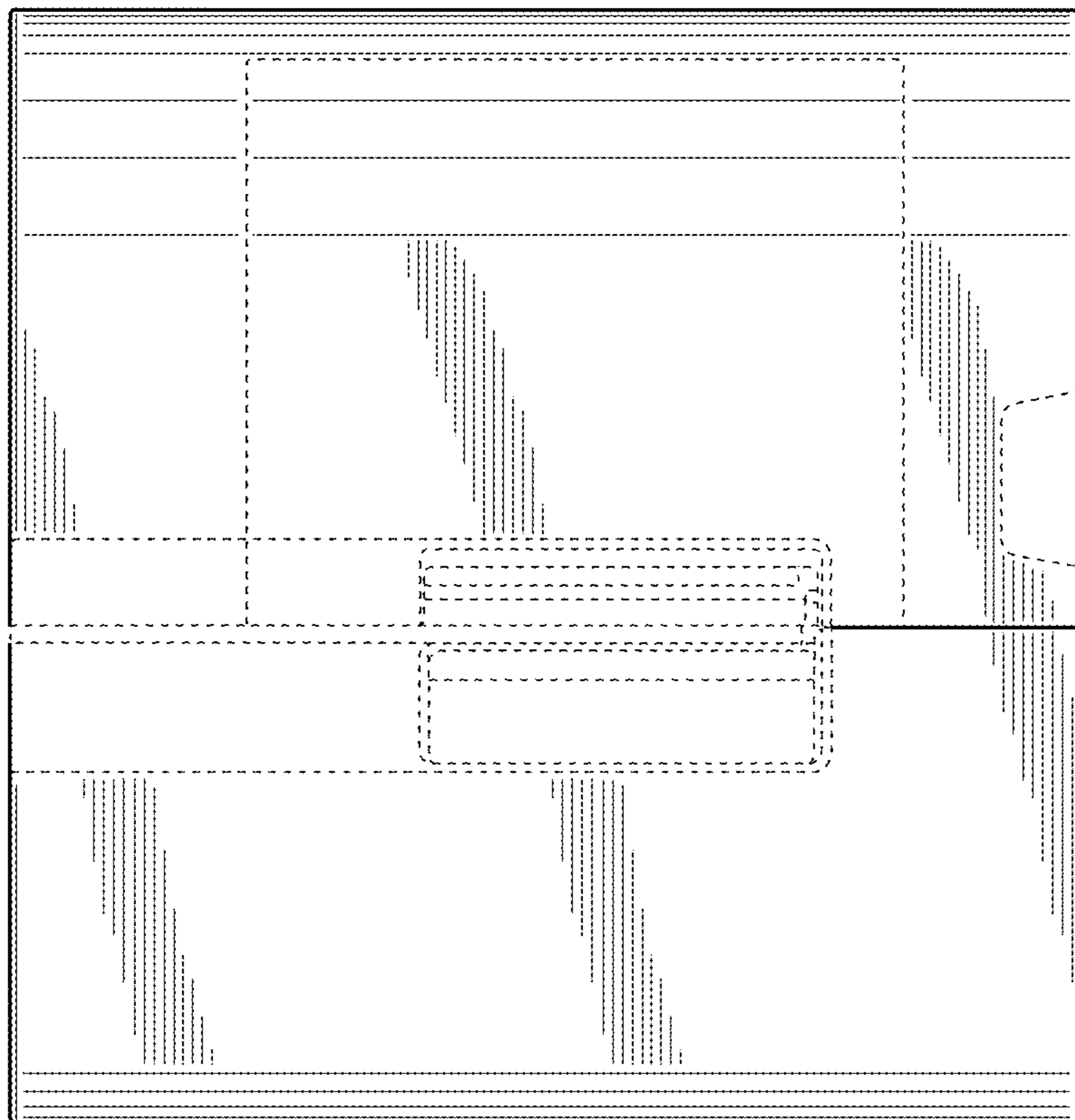
*FIG. 3*



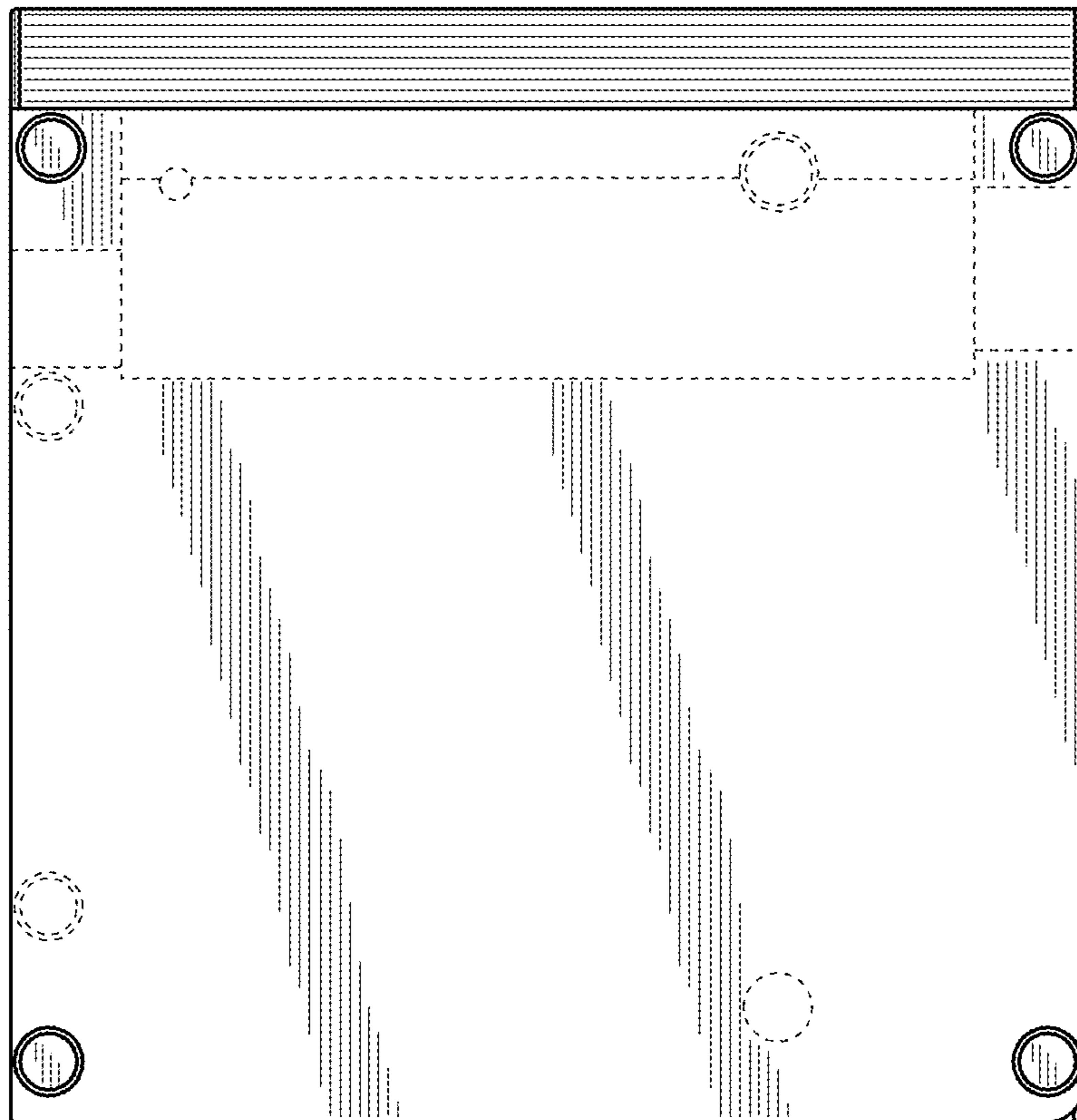
*FIG. 4*



***FIG. 5***

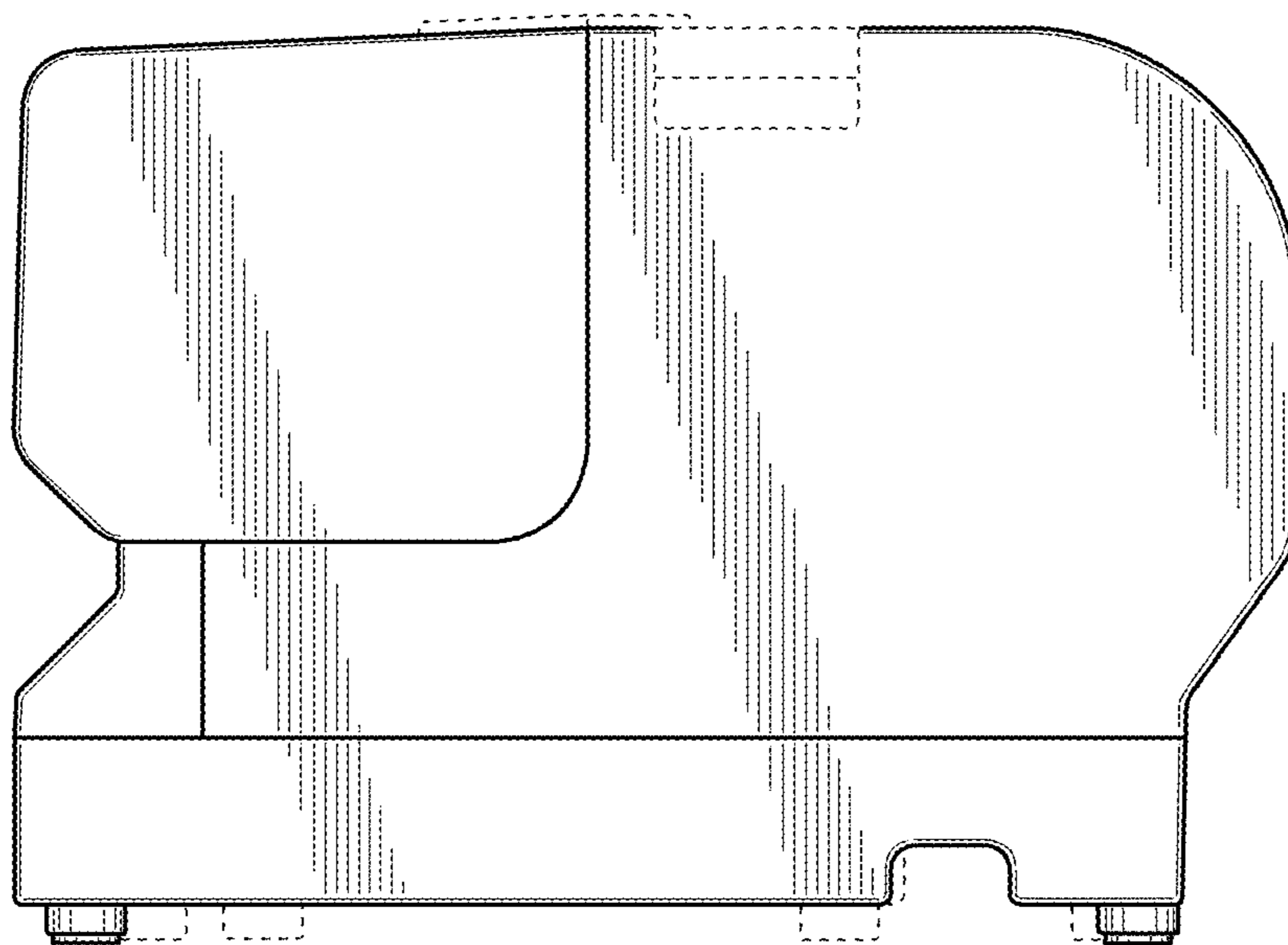


**FIG. 6**

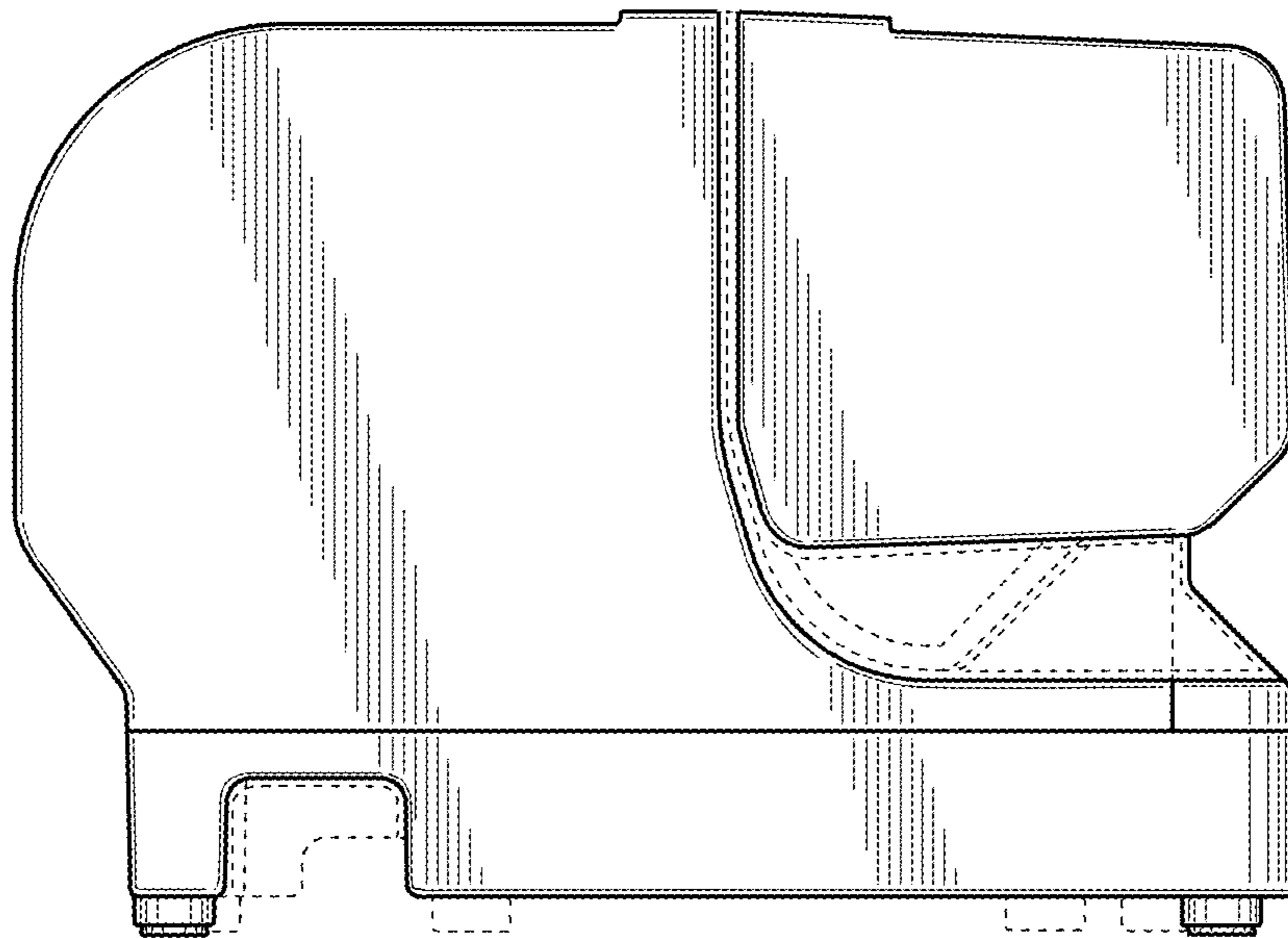




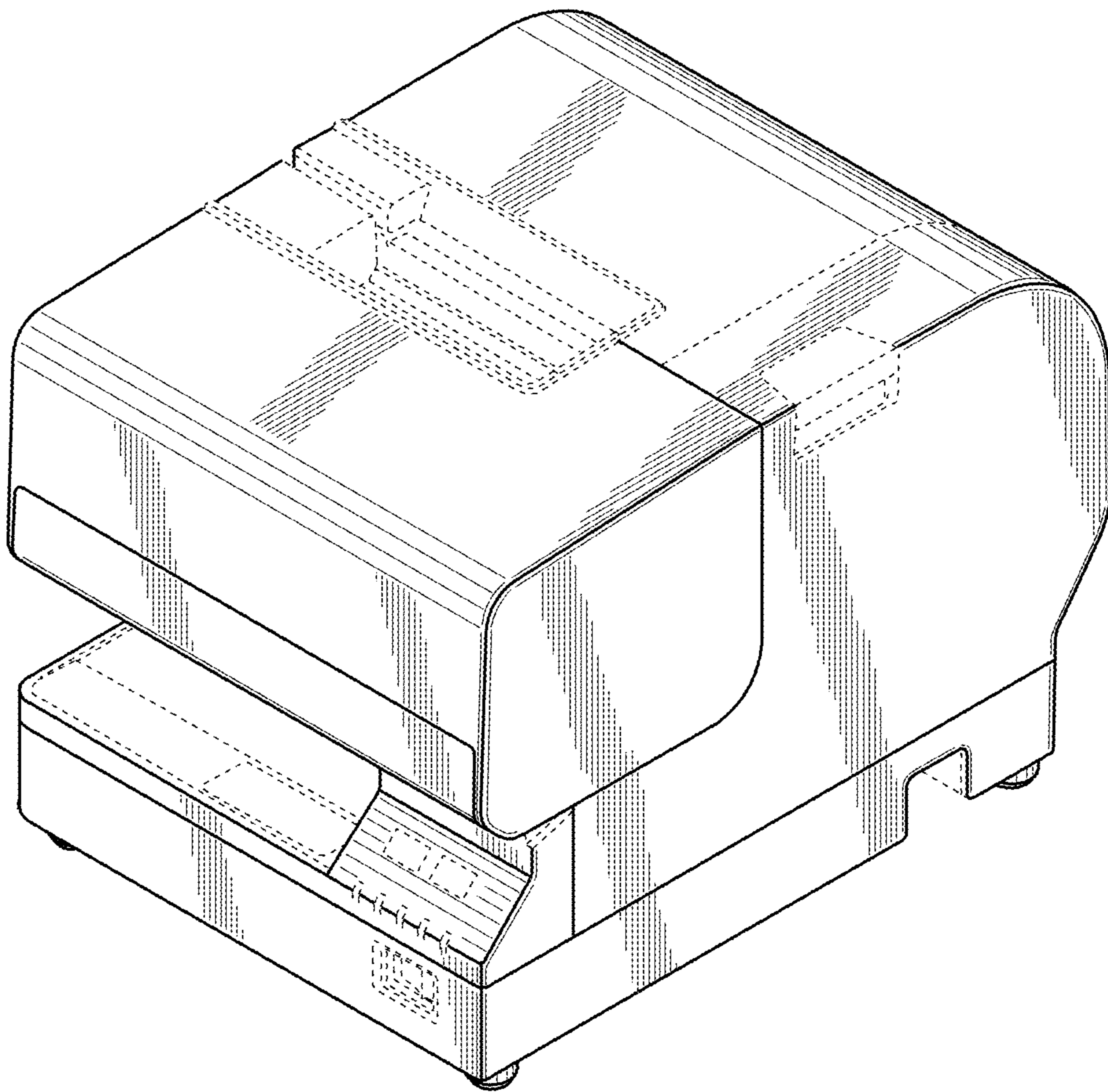
*FIG. 7*



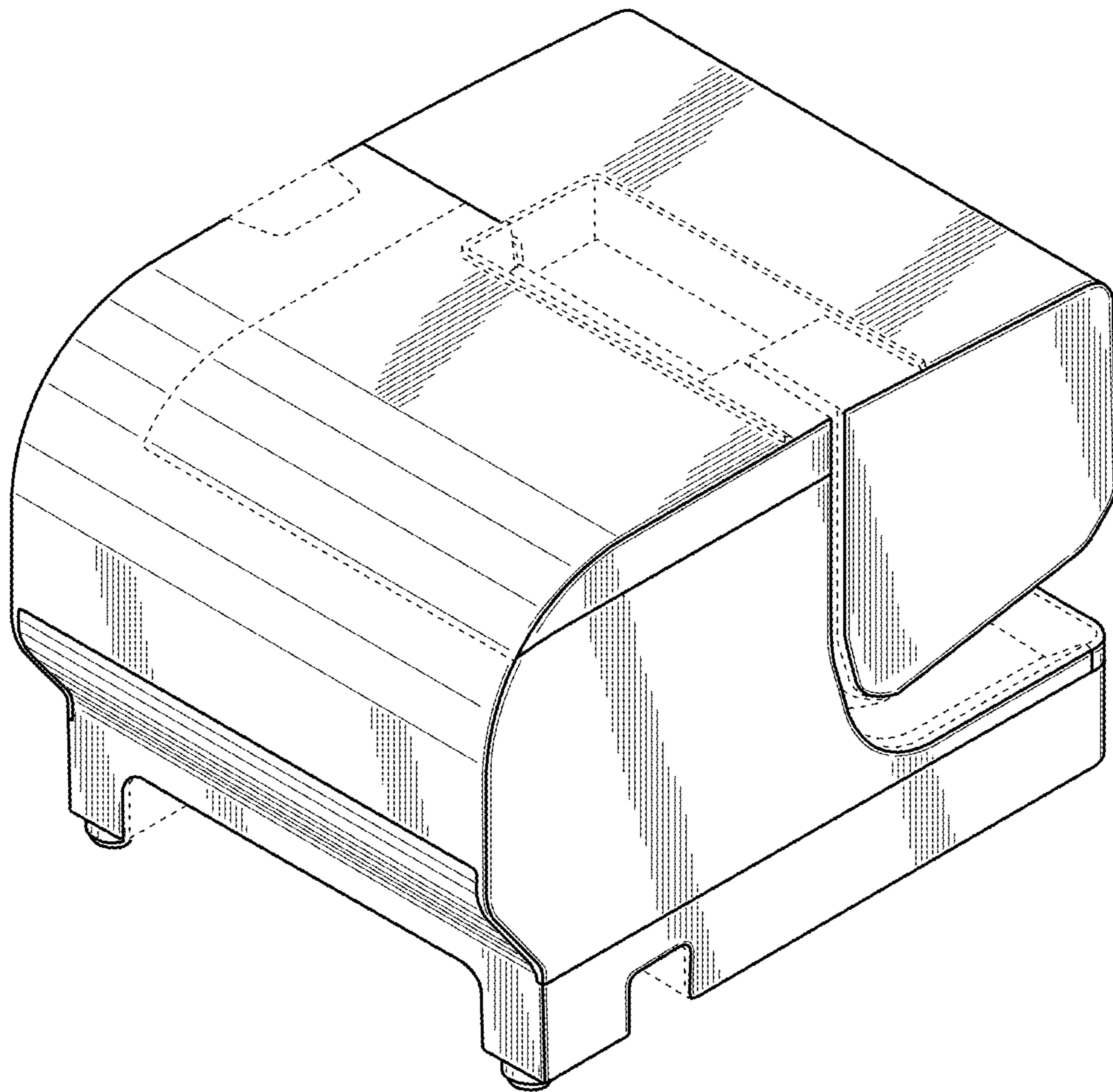
*FIG. 8*



**FIG. 9**

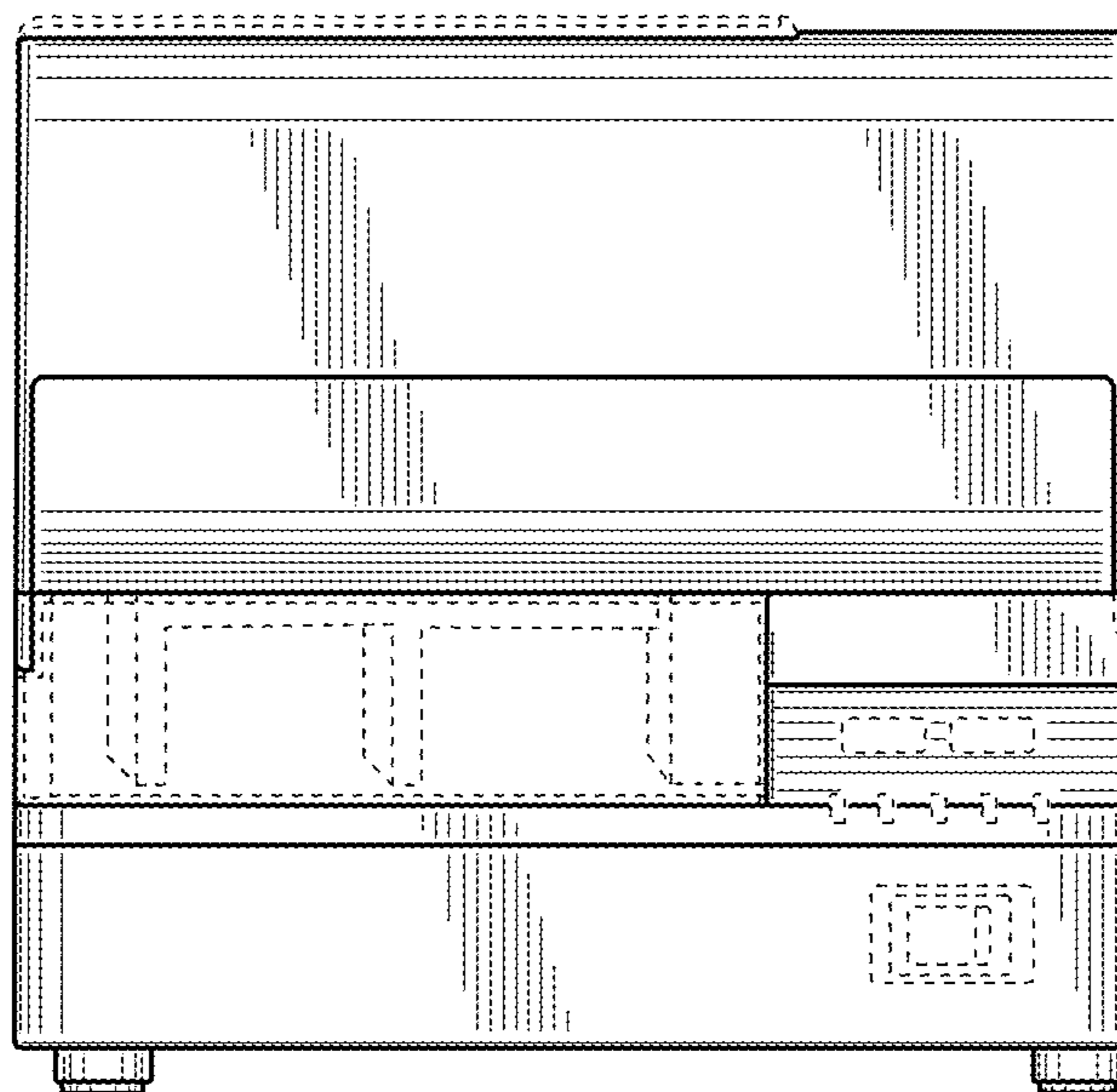


**FIG. 10**

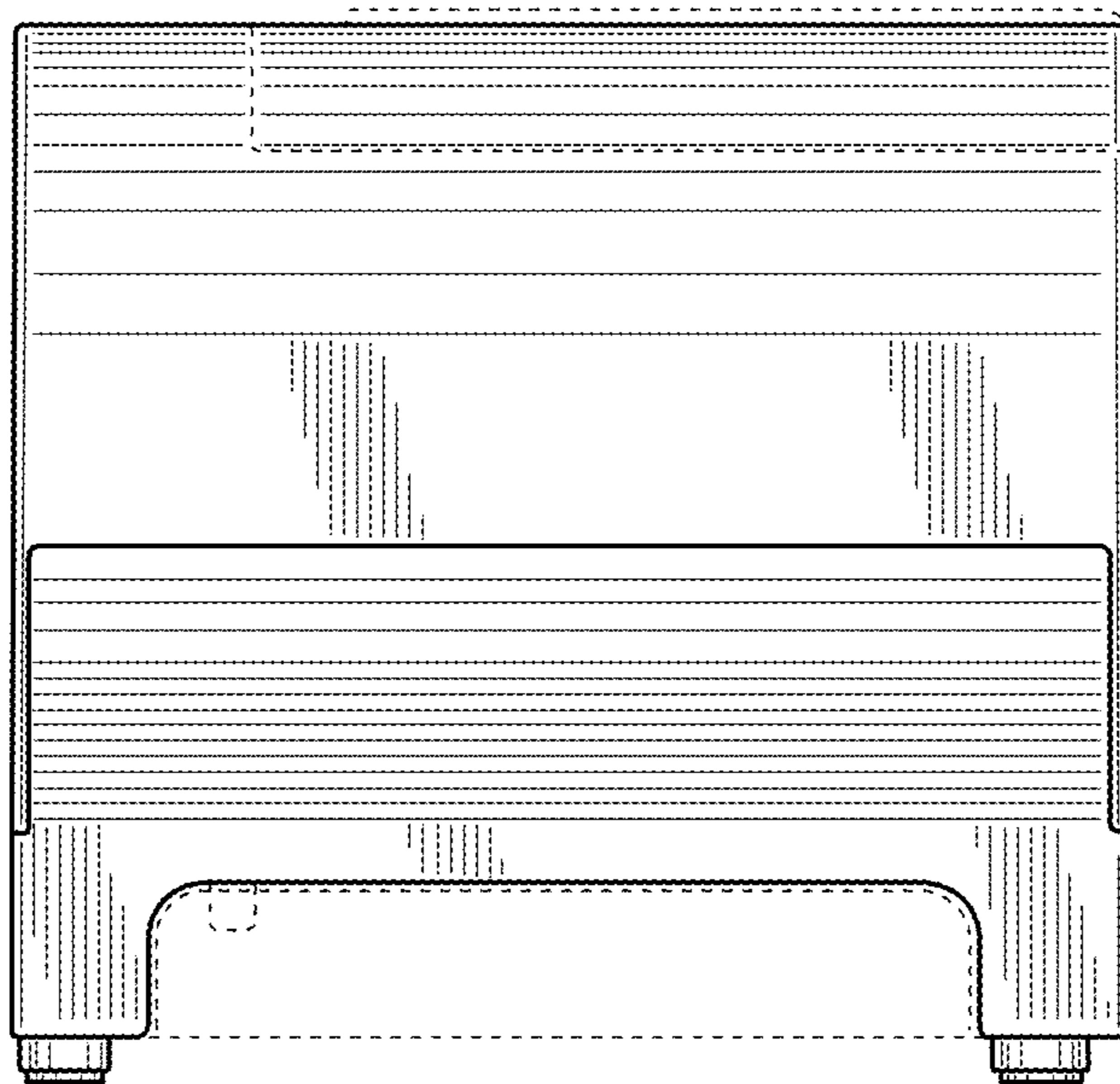




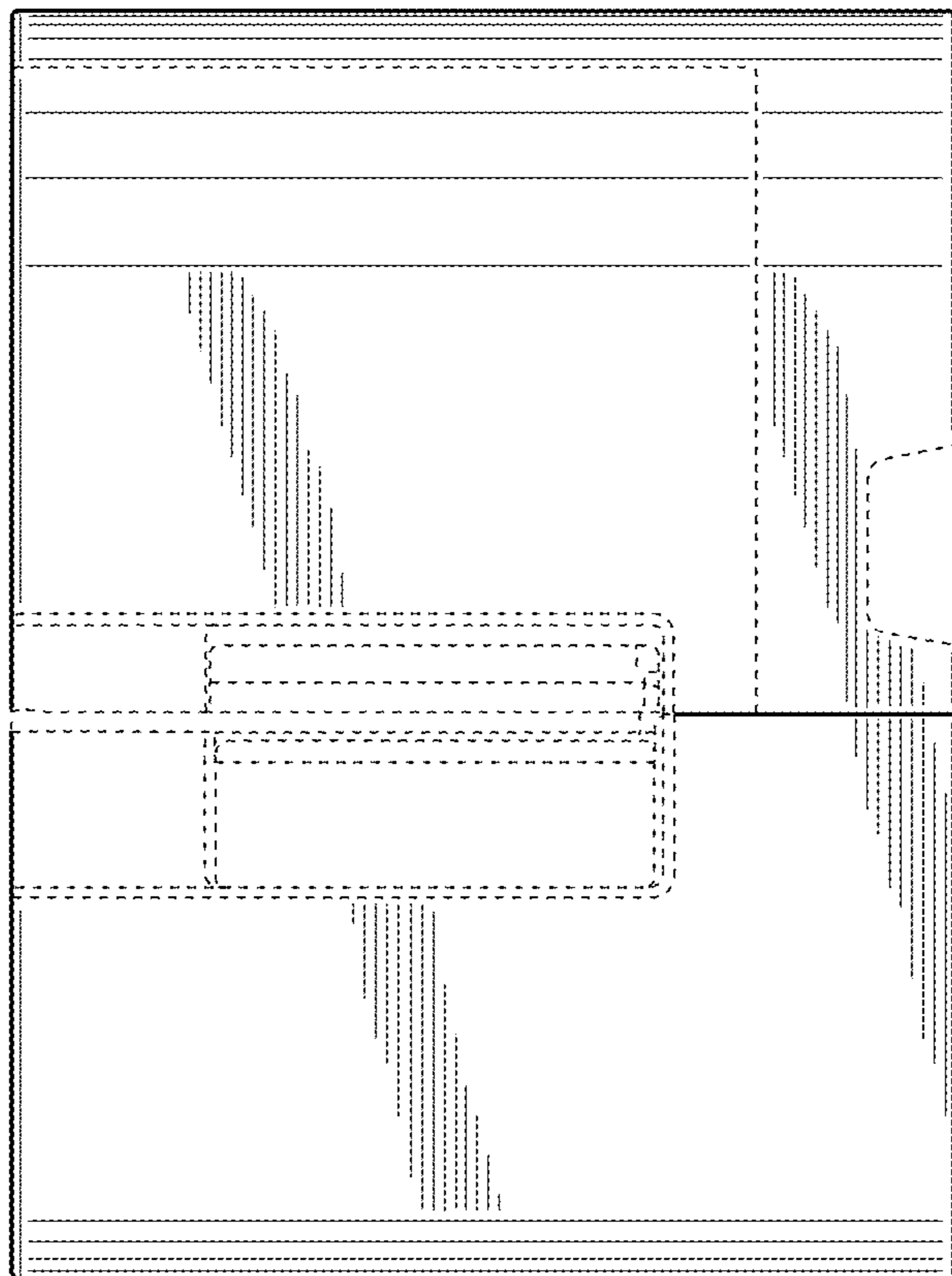
*FIG. 11*



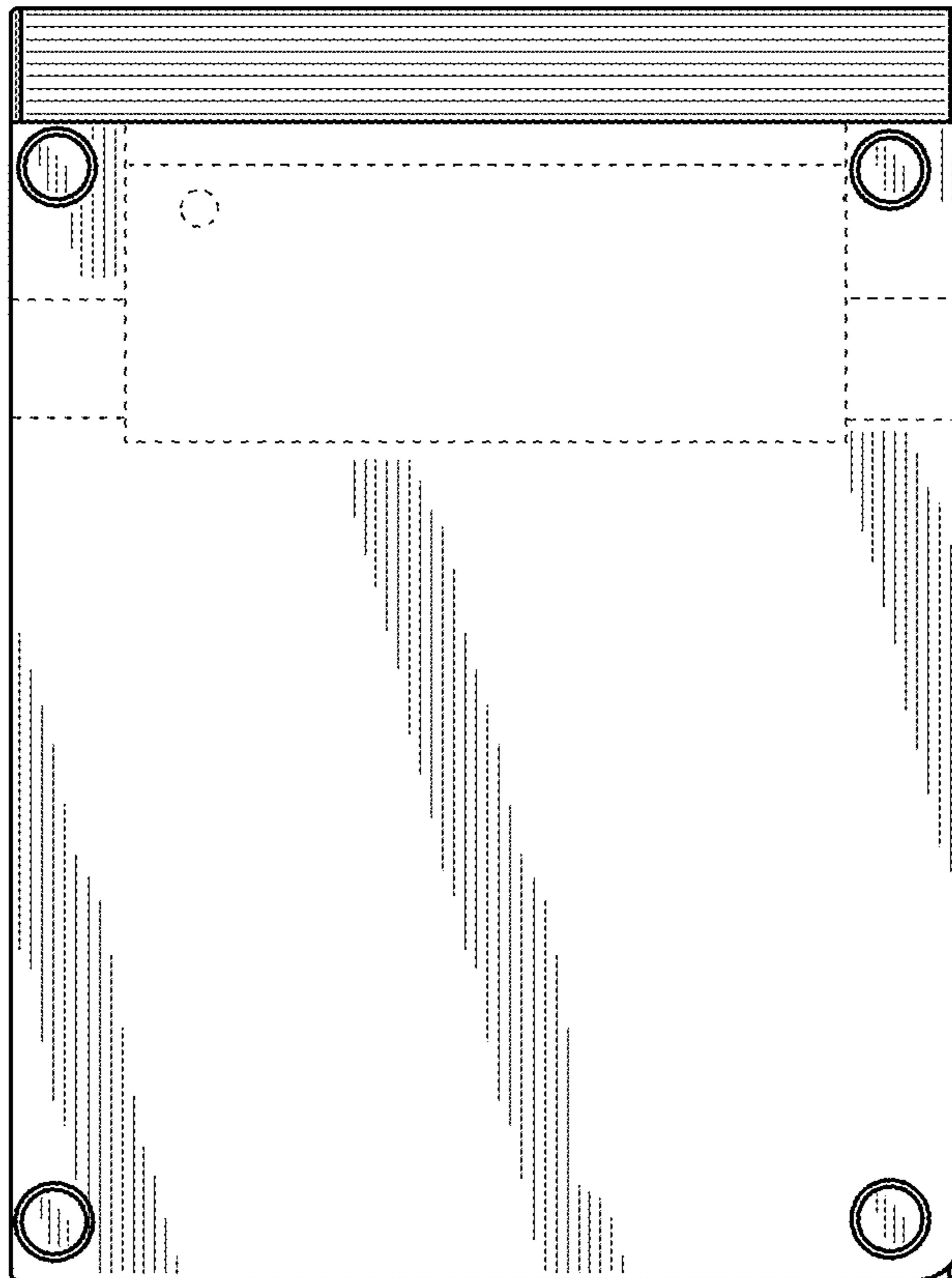
**FIG. 12**



***FIG. 13***

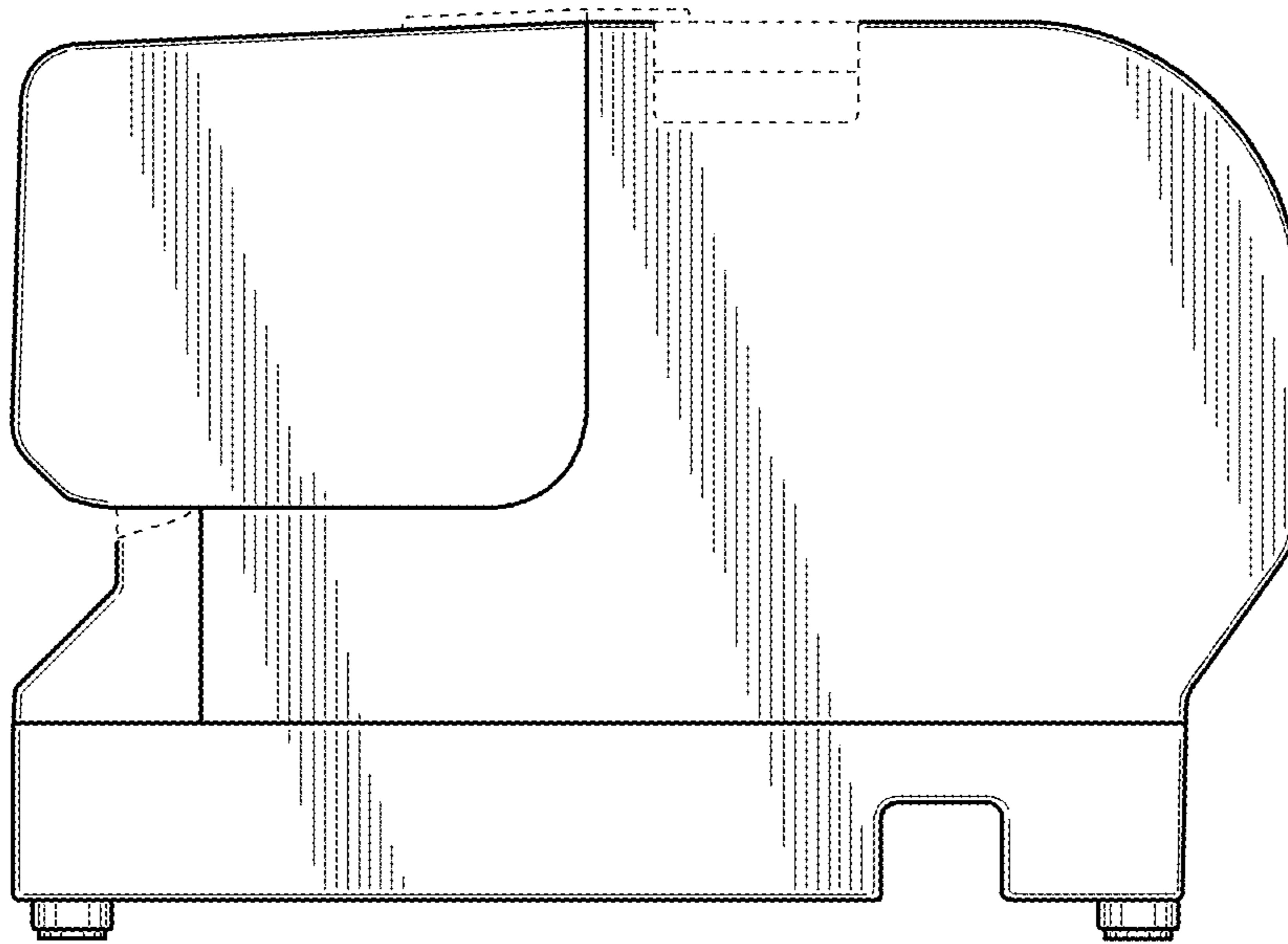


**FIG. 14**





*FIG. 15*



***FIG. 16***

