



US00D818036S

(12) **United States Design Patent** (10) **Patent No.:** **US D818,036 S**
Ozawa et al. (45) **Date of Patent:** **** May 15, 2018**

(54) **CRADLE FOR LABEL PRINTERS**
(71) Applicant: **SATO HOLDINGS KABUSHIKI KAISHA**, Tokyo (JP)
(72) Inventors: **Taichi Ozawa**, Tokyo (JP); **Keita Kuramochi**, Tokyo (JP); **Hiroshi Kokuta**, Tokyo (JP)
(73) Assignee: **SATO HOLDINGS KABUSHIKI KAISHA**, Tokyo (JP)
(**) Term: **15 Years**
(21) Appl. No.: **29/593,112**
(22) Filed: **Feb. 6, 2017**
(30) **Foreign Application Priority Data**
Aug. 8, 2016 (JP) 2016-017010
(51) **LOC (11) Cl.** **18-99**
(52) **U.S. Cl.**
USPC **D18/19; D14/447**
(58) **Field of Classification Search**
USPC D18/18-19, 8, 59, 45, 56; D14/251, 356, D14/432-433, 434, 447
CPC A47B 21/04; A47B 2097/006; F16M 2200/00
See application file for complete search history.

(56) **References Cited**
U.S. PATENT DOCUMENTS
D391,931 S * 3/1998 Iino D14/434
D396,454 S * 7/1998 Shima D14/434
D415,740 S * 10/1999 Lee D14/434
D420,651 S * 2/2000 Lee D14/434
D421,424 S * 3/2000 Lee D14/434
D469,097 S * 1/2003 Liu D14/434
D470,849 S * 2/2003 Bertagnole D14/434
D519,450 S * 4/2006 Lyman D13/108
D531,180 S * 10/2006 Goto D14/432

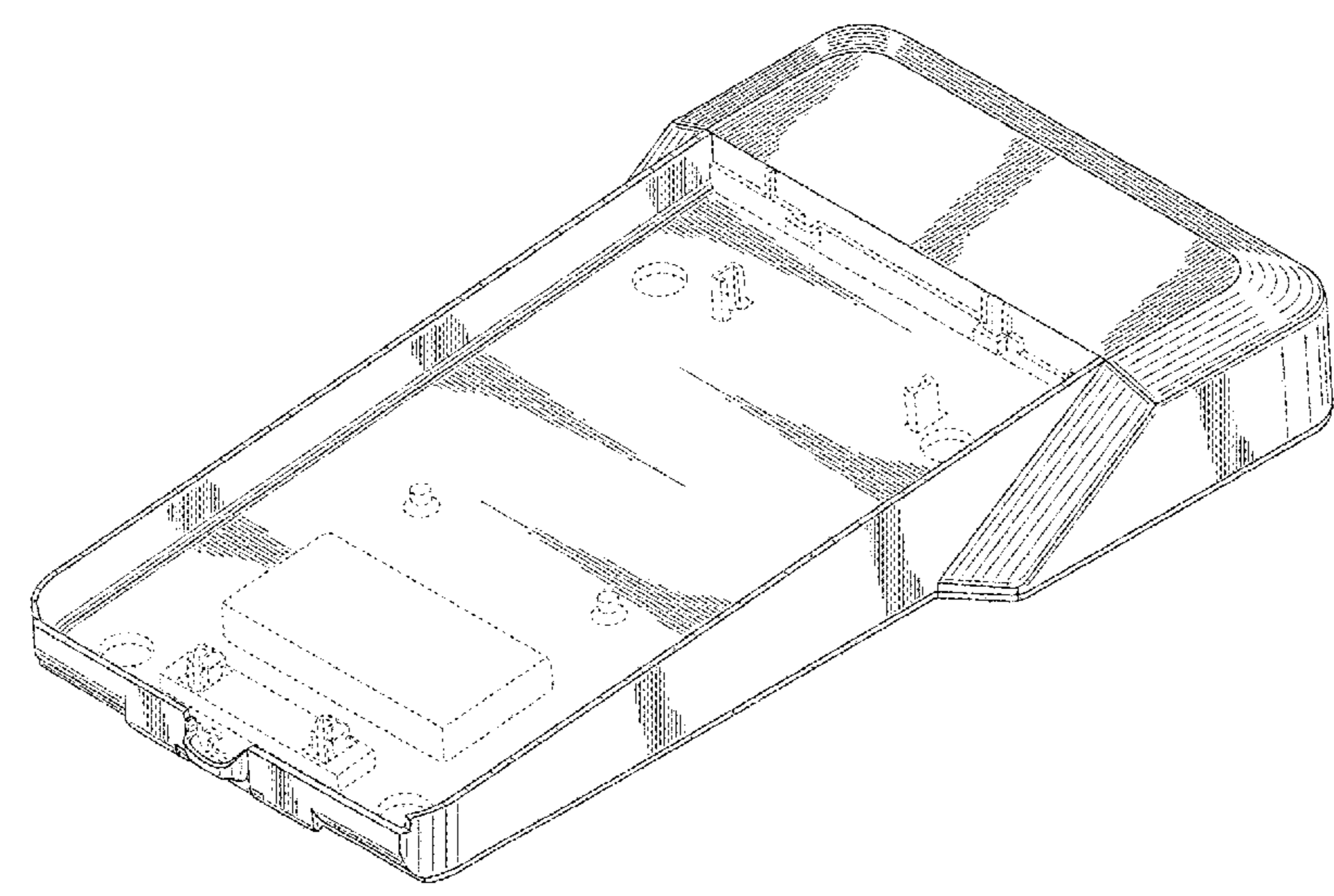
7,978,466 B2 * 7/2011 Lewandowski G06F 1/1632
361/679.41
D692,895 S * 11/2013 Iwata D14/434
D729,248 S * 5/2015 Porter D14/434
D771,051 S * 11/2016 Beck D13/108
9,581,286 B2 * 2/2017 Hansen F16M 11/041
D780,762 S * 3/2017 Ju D14/434
9,623,690 B2 * 4/2017 Lyman B41J 29/023
D789,371 S * 6/2017 Iwamoto D14/433

(Continued)
Primary Examiner — Robin V Webster
Assistant Examiner — James C Thorn, Sr.
(74) *Attorney, Agent, or Firm* — Andrew F. Young, Esq.;
Lackenbach Siegel, LLP

(57) **CLAIM**
The ornamental design for a cradle for label printers, as shown and described.

DESCRIPTION
FIG. 1 is a perspective view of a cradle for label printers; FIG. 2 is a rear perspective view of FIG. 1. FIG. 3 is a left side elevation view of FIG. 1. FIG. 4 is a right side elevation view view of FIG. 1. FIG. 5 is a top plan view of FIG. 1. FIG. 6 is a bottom plan view of FIG. 1. FIG. 7 is a front side elevation view of FIG. 1. FIG. 8 is a rear side elevation view of FIG. 1; and, FIG. 9 is an illustrative reference view of the invention of FIG. 1 in an alternative state of use.
The surfaces are lightly lined for contour only. The broken lines indicate disclaimed subject matter for environmental purposes only and form no part of the claimed design. The illustrative reference view in FIG. 9 illustrates an alternative state of use in conjunction with the label printer, and forms no part of the claimed design, and adaptive features are shown in broken lines further forming no part of the claimed design. No claim is made to portions of the design which are not show.

1 Claim, 9 Drawing Sheets



(56)

References Cited

U.S. PATENT DOCUMENTS

2002/0020789 A1* 2/2002 Li G06F 1/1626
248/175
2016/0236493 A1* 8/2016 Lyman B41J 29/023

* cited by examiner

FIG. 1

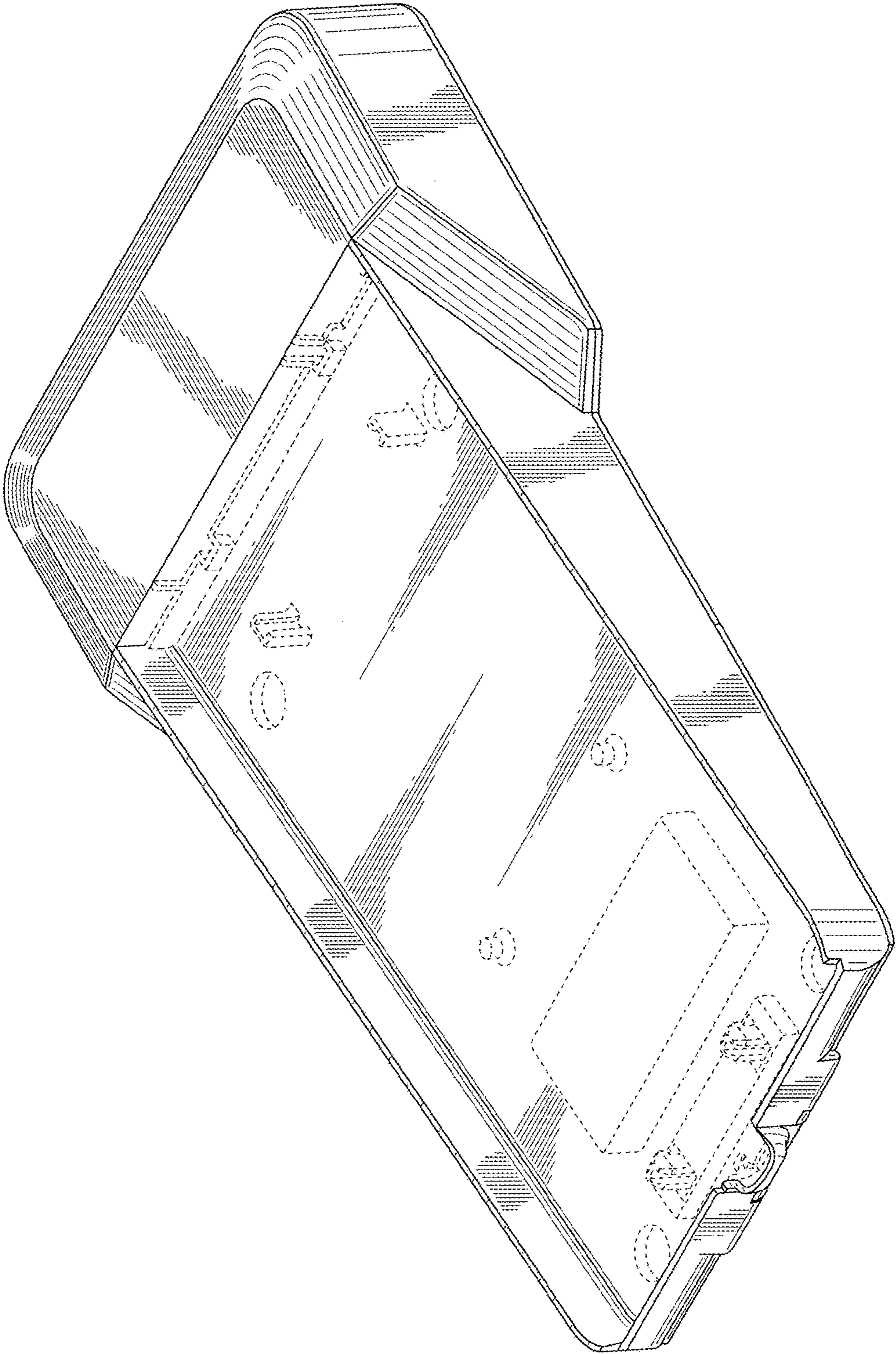


FIG. 2

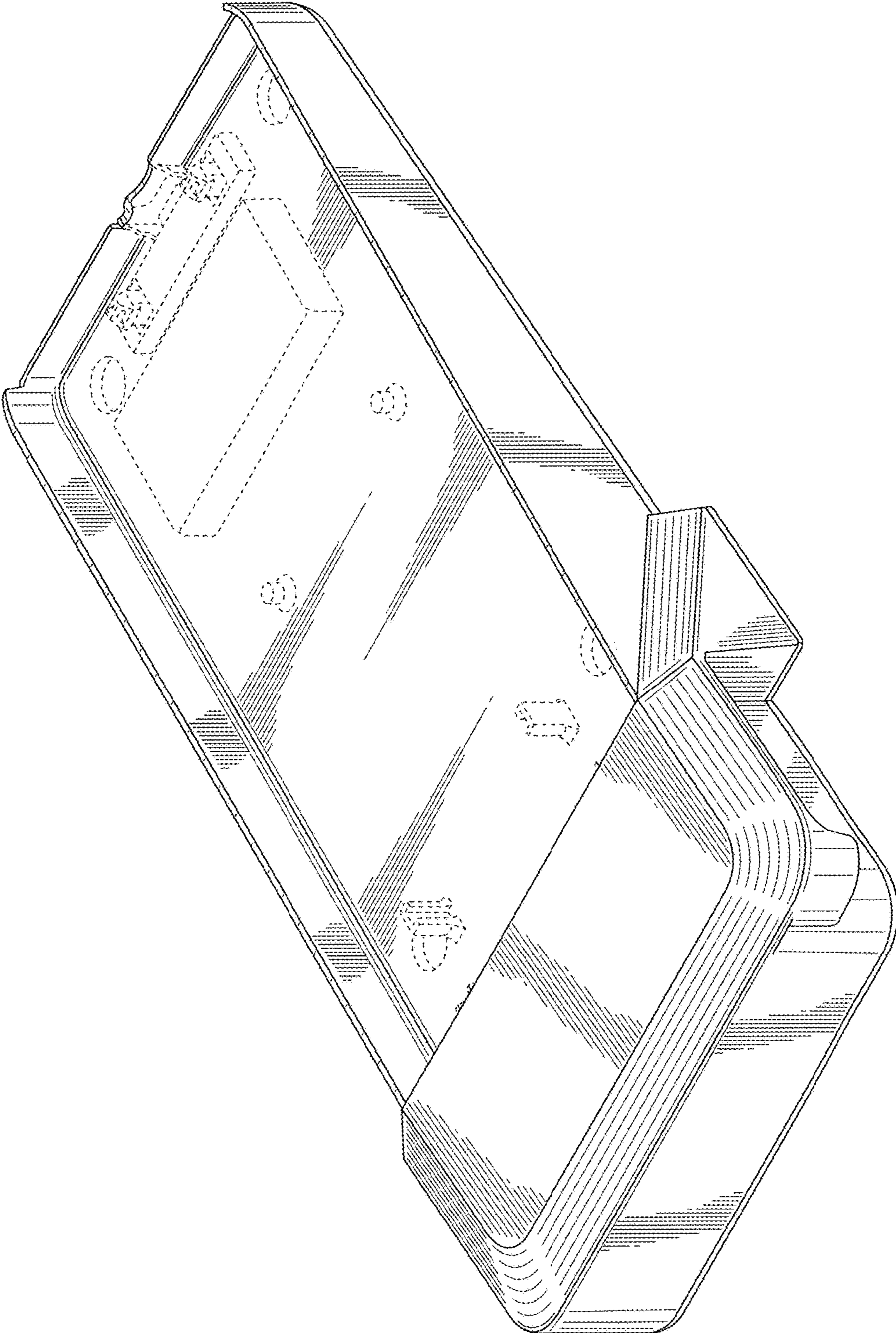


FIG. 3

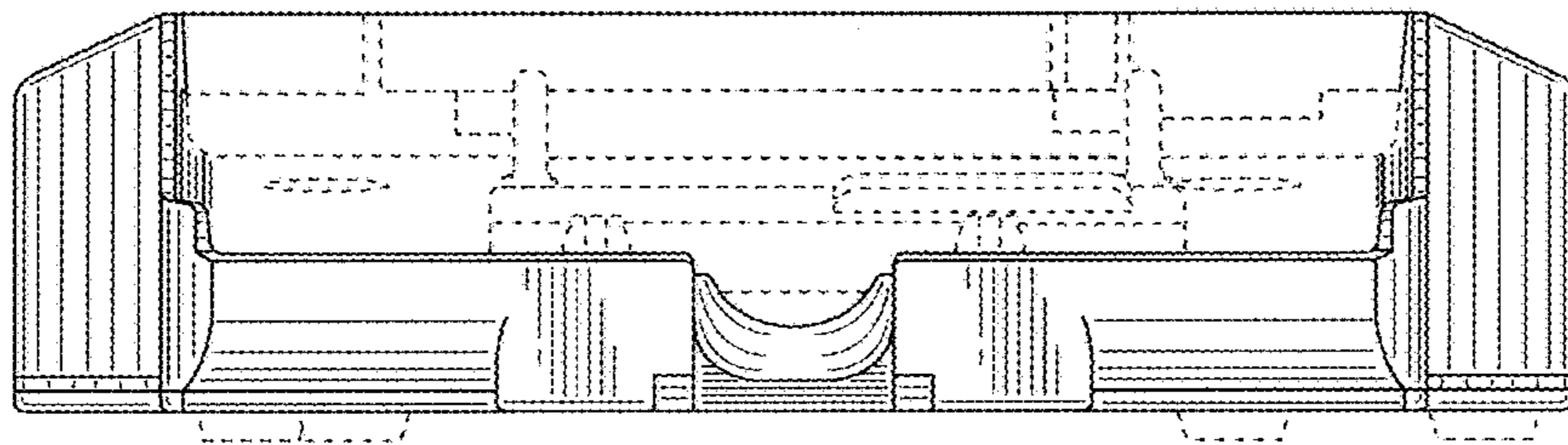


FIG. 4

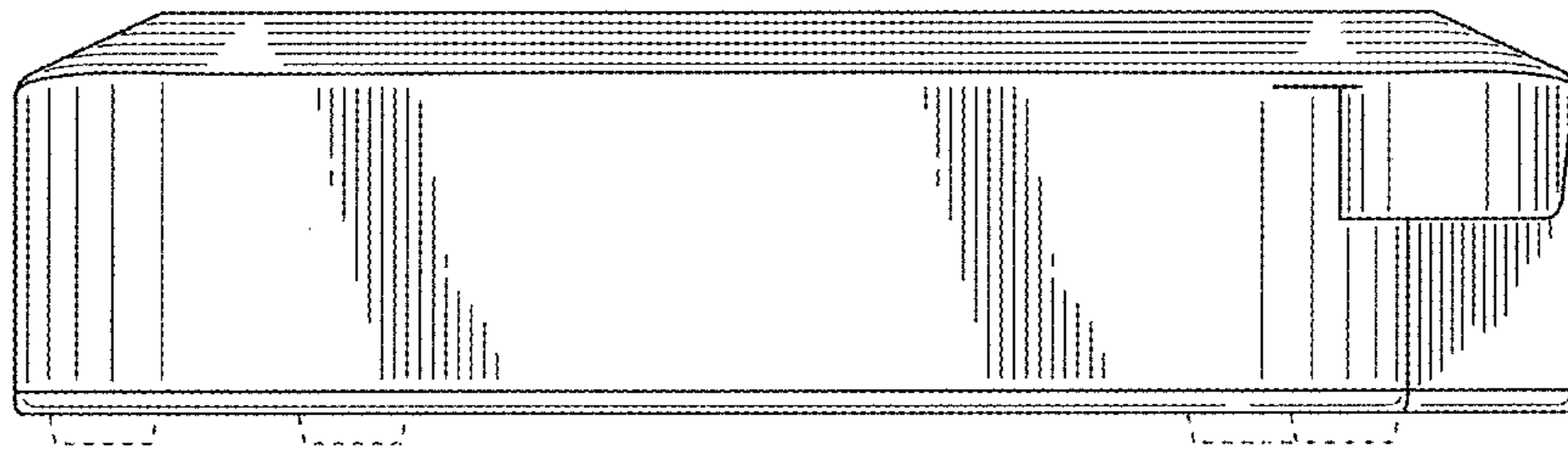


FIG. 5

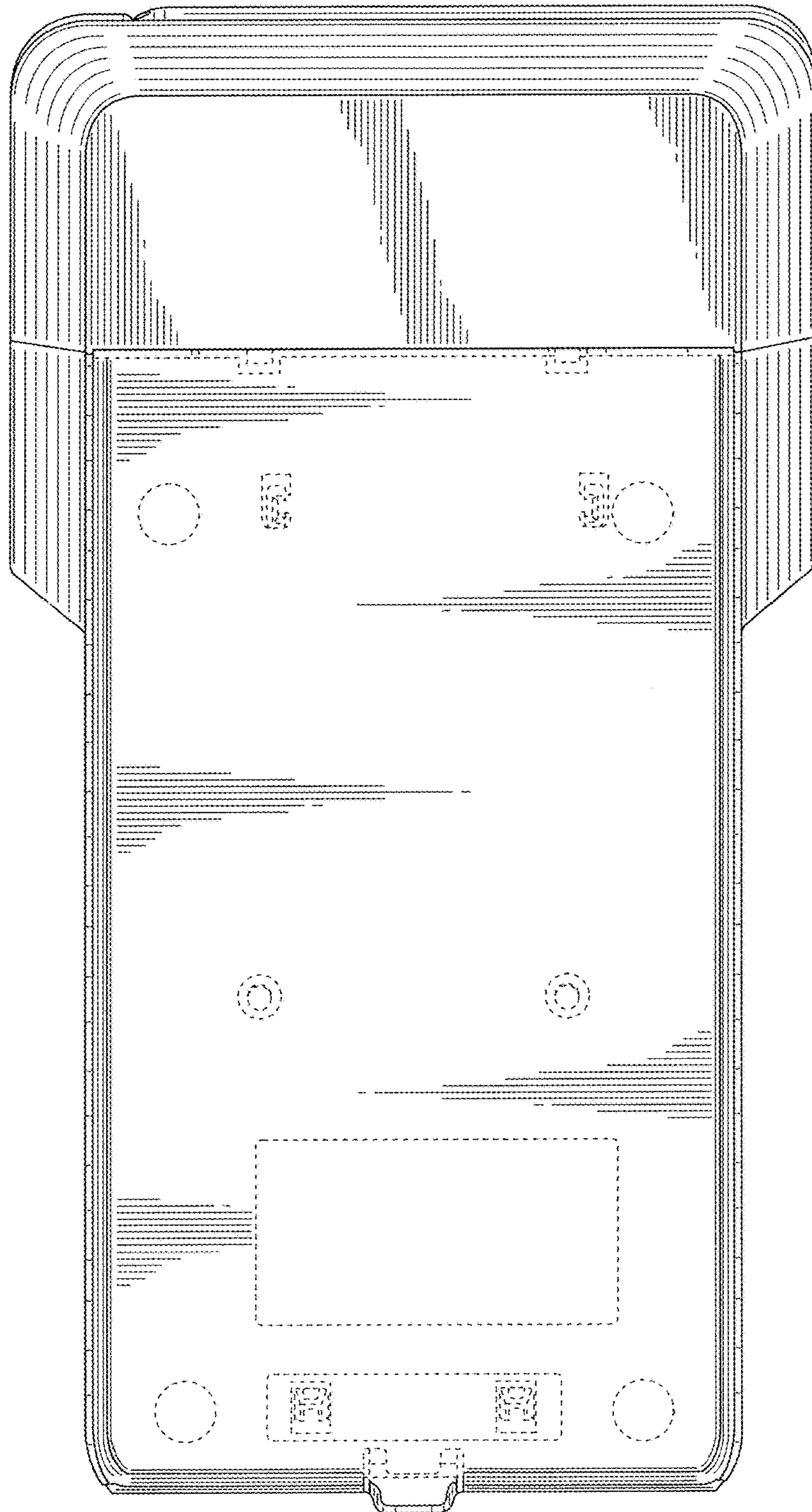


FIG. 6

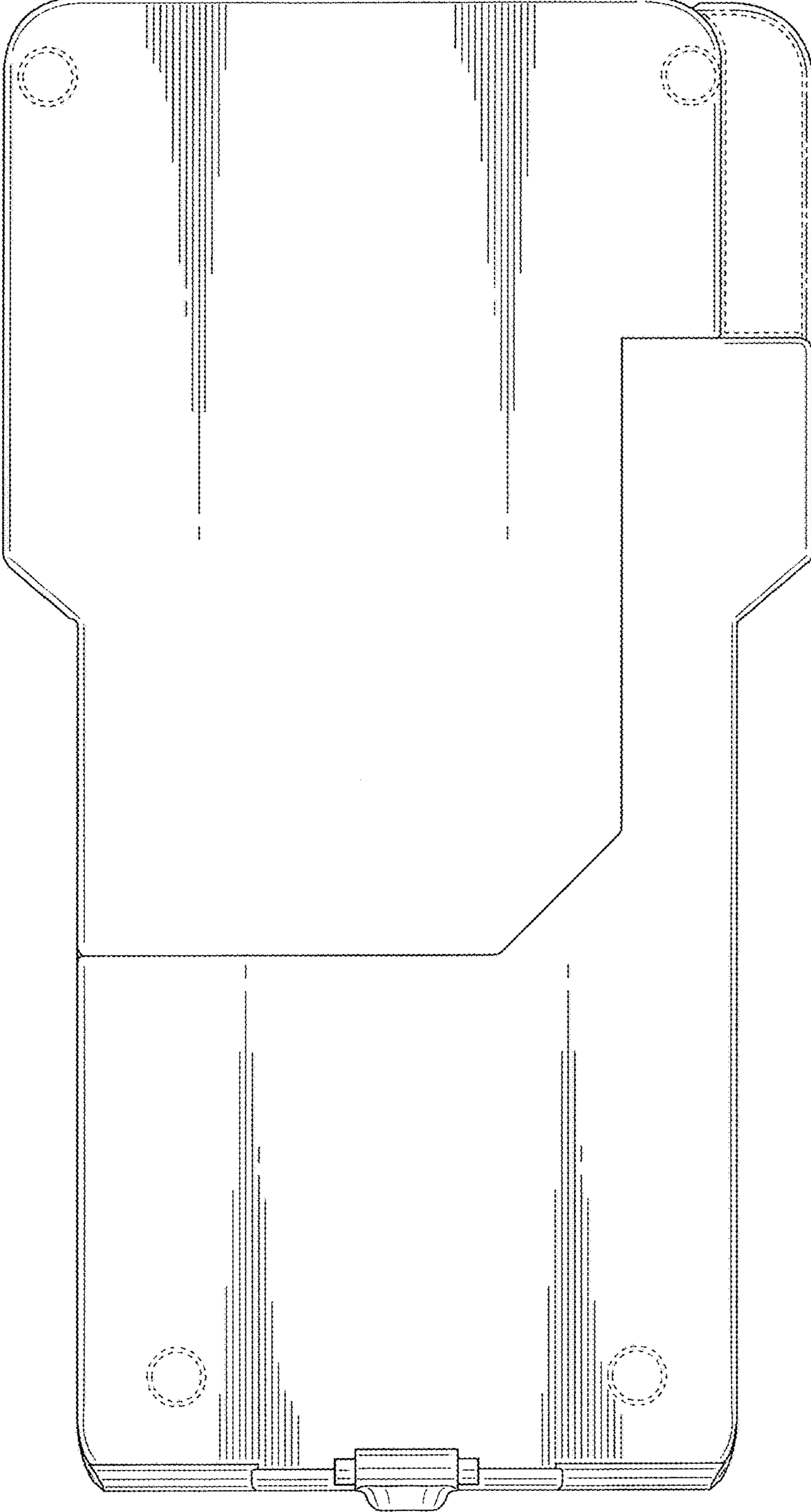


FIG. 7

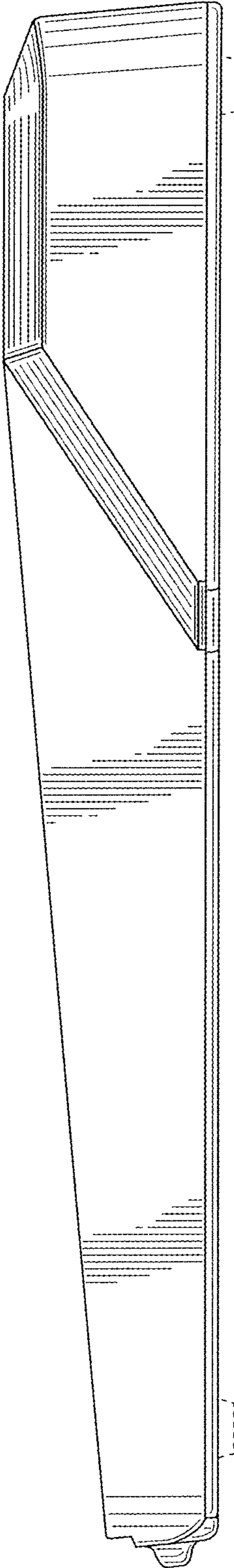


FIG. 8

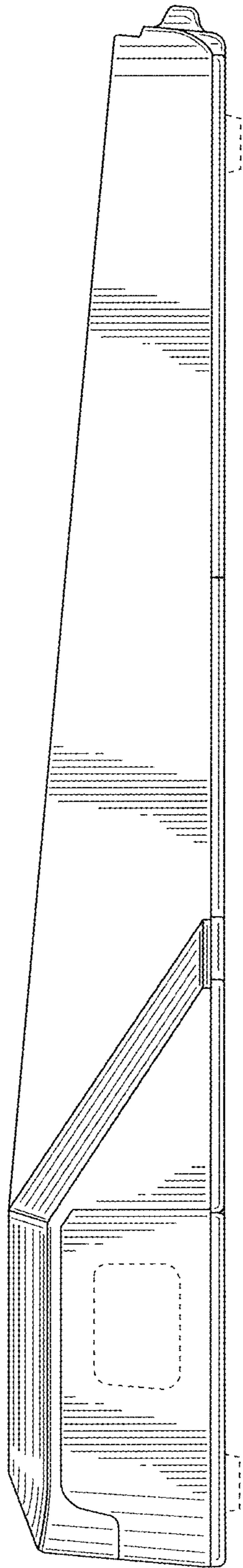


FIG. 9

