



US00D818031S

(12) **United States Design Patent** (10) **Patent No.:** **US D818,031 S**  
**Garfias** (45) **Date of Patent:** **\*\* May 15, 2018**

(54) **GOOGLE COMPONENT**  
(71) Applicant: **Oakley, Inc.**, Foothill Ranch, CA (US)  
(72) Inventor: **Nicolas Adolfo Garfias**, Long Beach, CA (US)  
(73) Assignee: **Oakley, Inc.**, Foothill Ranch, CA (US)  
(\*\*) Term: **15 Years**

7,810,174	B2	10/2010	Matera	
D629,035	S	12/2010	Moritz et al.	
D649,178	S	11/2011	Moritz et al.	
D687,479	S	8/2013	Moritz et al.	
D687,480	S	8/2013	Castro	
D687,881	S	8/2013	Ginther et al.	
D717,851	S *	11/2014	Arnette	D16/101
D735,788	S *	8/2015	Uhm	D16/101
D736,303	S *	8/2015	Yu	D16/309
D783,697	S *	4/2017	Chae	D16/101
D785,699	S *	5/2017	Chen	D16/312

(21) Appl. No.: **29/583,085**  
(22) Filed: **Nov. 2, 2016**  
(51) **LOC (11) Cl.** ..... **16-06**  
(52) **U.S. Cl.**  
USPC ..... **D16/314**  
(58) **Field of Classification Search**  
USPC ..... D29/109; D24/110.2; D16/101, 301,  
D16/306, 309, 311, 312, 313, 314, 315,  
D16/325, 326, 330, 136, 339; 2/426,  
2/429; D8/349  
CPC .. A61F 9/045; A61F 9/04; A61F 9/029; A61F  
9/02; G02C 9/04; G02C 5/00; G02C  
5/003; G02C 11/10  
See application file for complete search history.

**OTHER PUBLICATIONS**

U.S. Appl. No. 29/539,532, filed Sep. 15, 2015, Garfias.  
U.S. Appl. No. 29/540,935, filed Sep. 29, 2015, Shin.  
U.S. Appl. No. 29/541,218, filed Oct. 1, 2015, Garfias.  
U.S. Appl. No. 29/582,785, filed Oct. 31, 2016, Yoo, et al.

\* cited by examiner

*Primary Examiner* — Ruth McInroy  
(74) *Attorney, Agent, or Firm* — Sterne, Kessler,  
Goldstein & Fox P.L.L.C.

(57) **CLAIM**

The ornamental design for a goggle component, as shown and described.

(56) **References Cited**

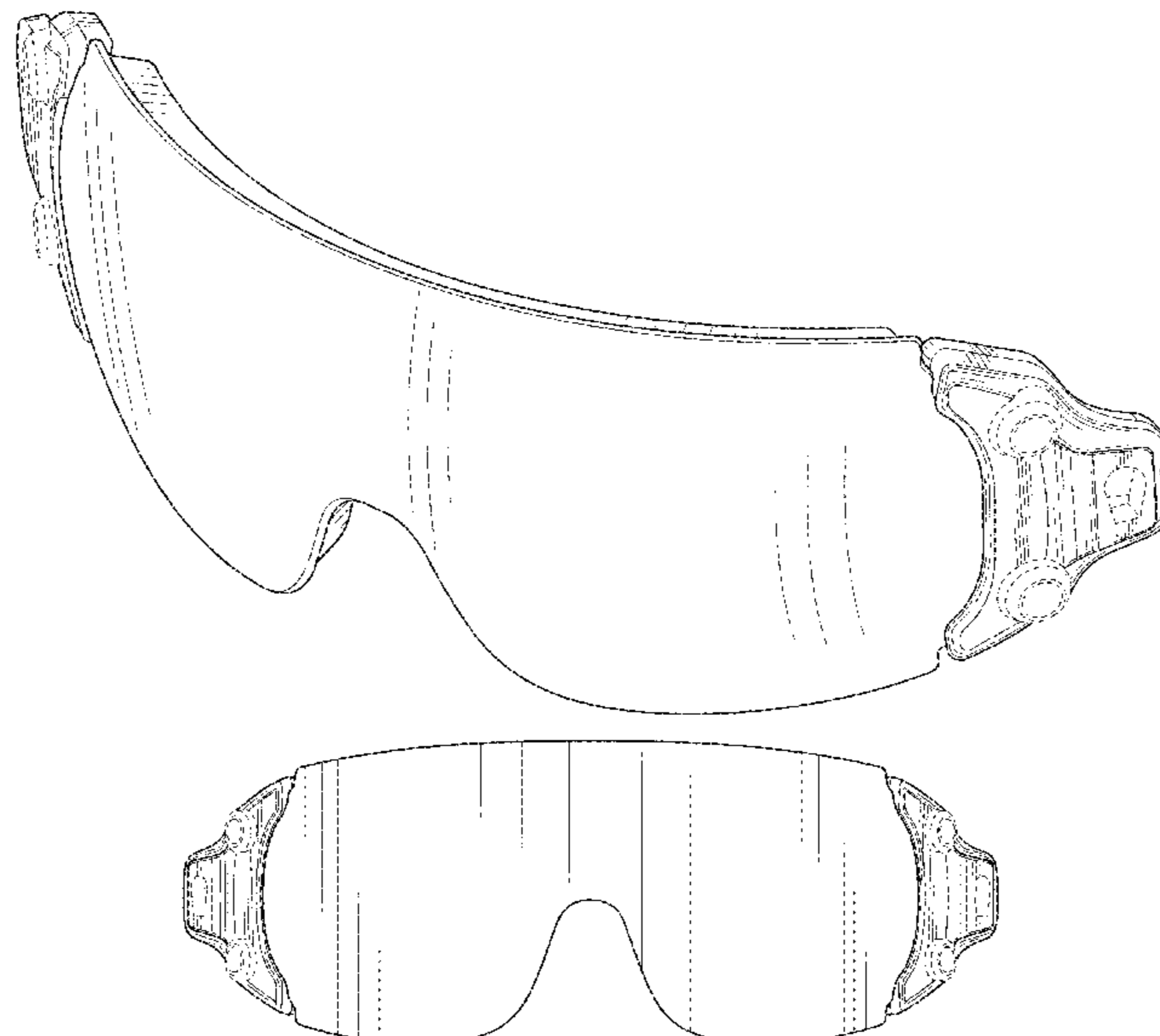
**U.S. PATENT DOCUMENTS**

D342,958	S *	1/1994	Canavan	D16/315
5,488,438	A *	1/1996	Cochran	A61F 9/02 351/41
D375,317	S *	11/1996	Canavan	D16/101
5,642,530	A *	7/1997	Parks	A42B 3/24 2/434
6,530,659	B1 *	3/2003	Marcum	A61F 9/02 351/156
D537,100	S	2/2007	Moritz et al.	
D538,834	S	3/2007	Mangum	
D544,013	S *	6/2007	Curci	D16/312
D584,331	S *	1/2009	Chen	D16/315
D616,914	S	6/2010	Moritz	

**DESCRIPTION**

FIG. 1 is a front perspective view of a goggle component showing my new design;  
FIG. 2 is a front elevational view thereof;  
FIG. 3 is a rear elevational view thereof;  
FIG. 4 is a right side elevational view thereof, the left side elevational view being a mirror image thereof;  
FIG. 5 is a top plan view thereof; and,  
FIG. 6 is a bottom plan view thereof.  
The broken lines in the Figures show portions of the goggle component that form no part of the claimed design.

**1 Claim, 3 Drawing Sheets**



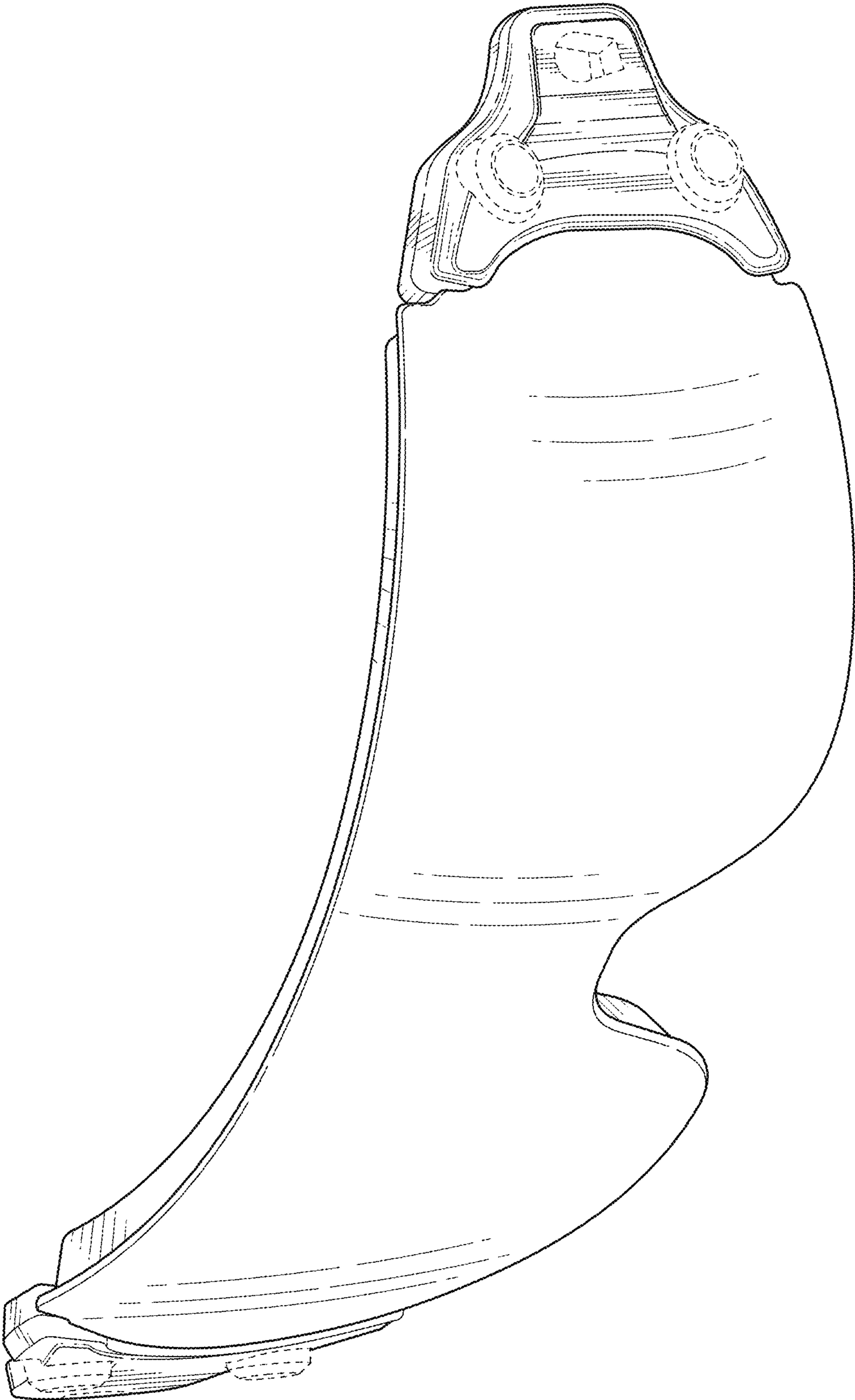


FIG. 1

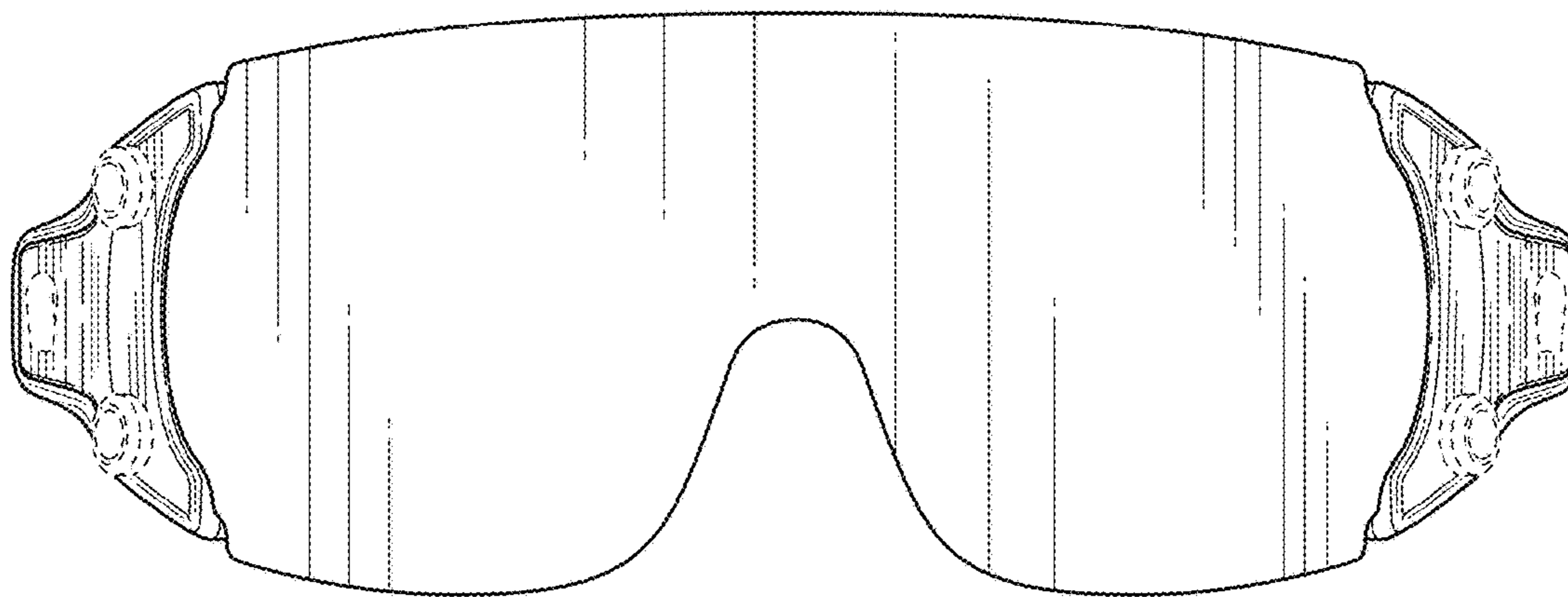


FIG. 2

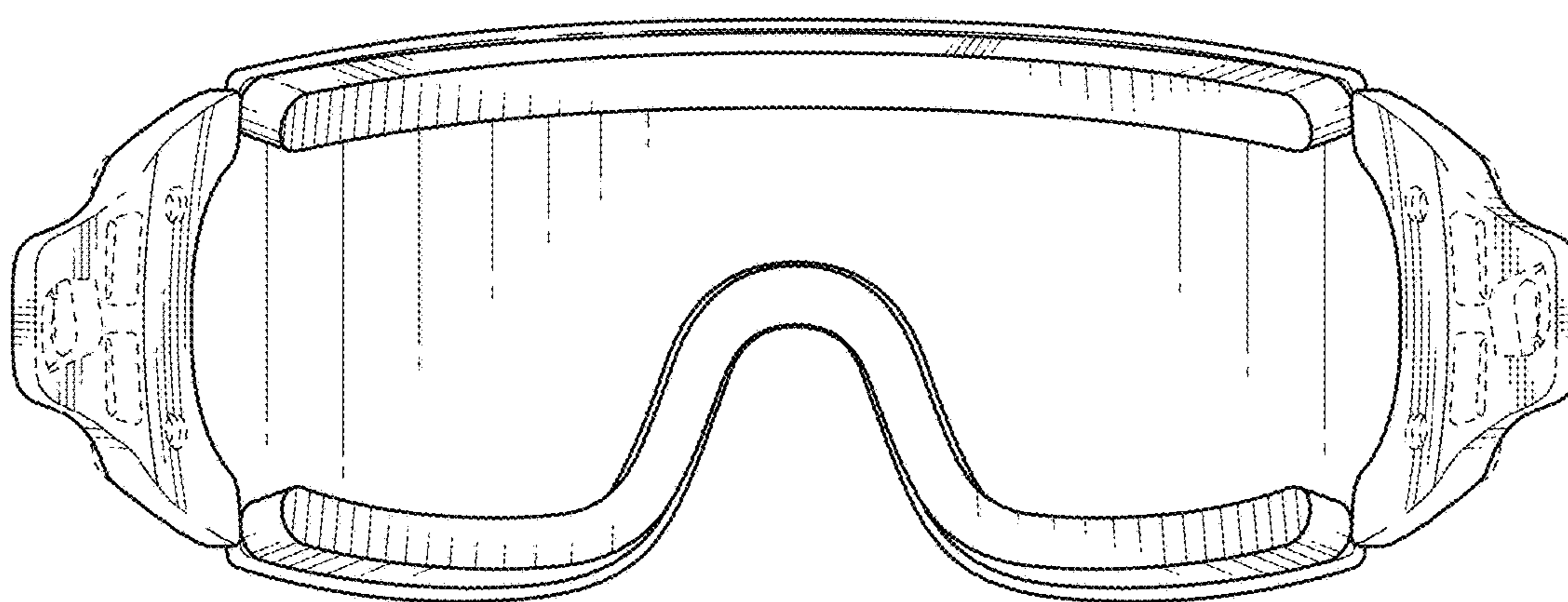


FIG. 3



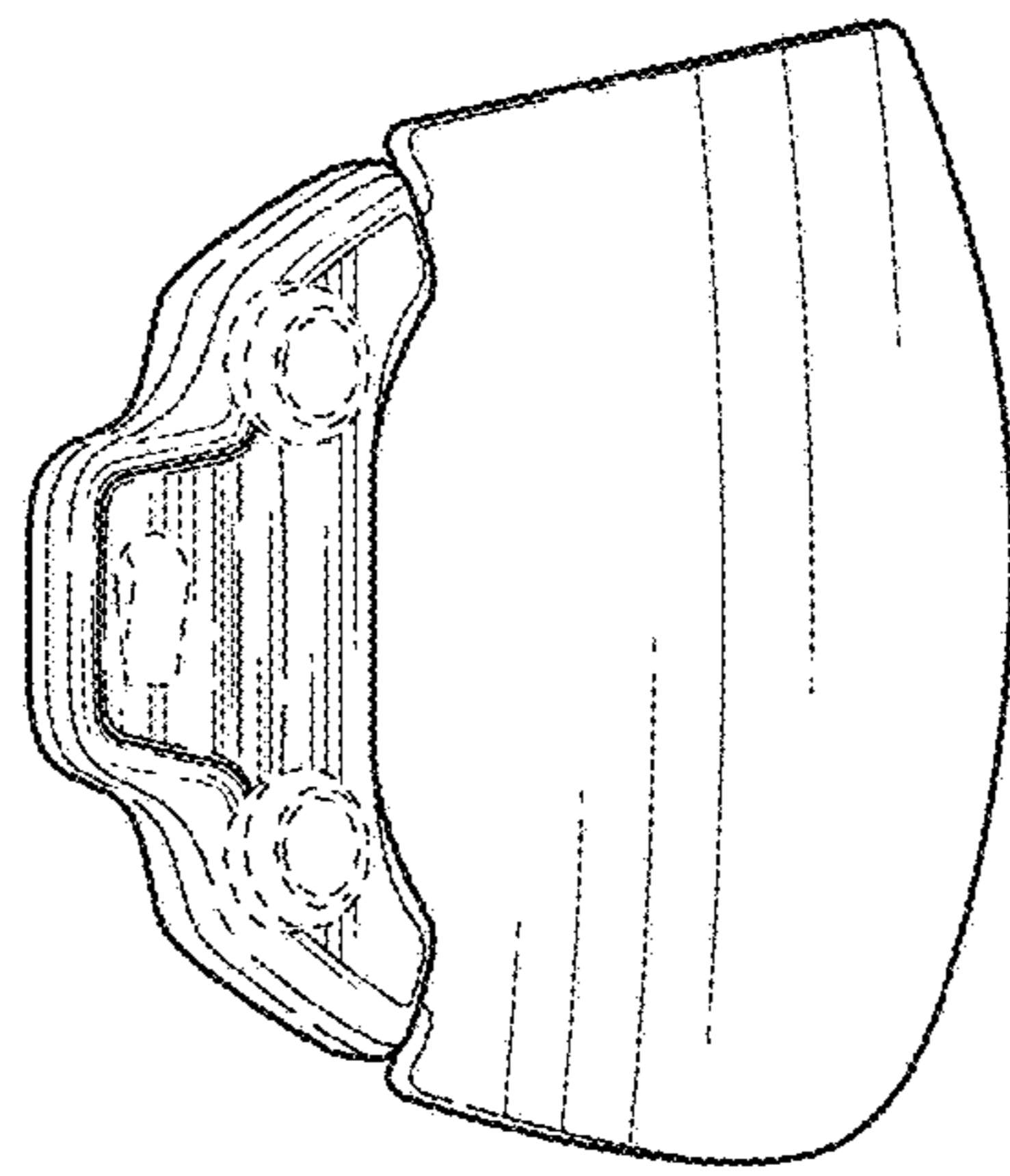


FIG. 4

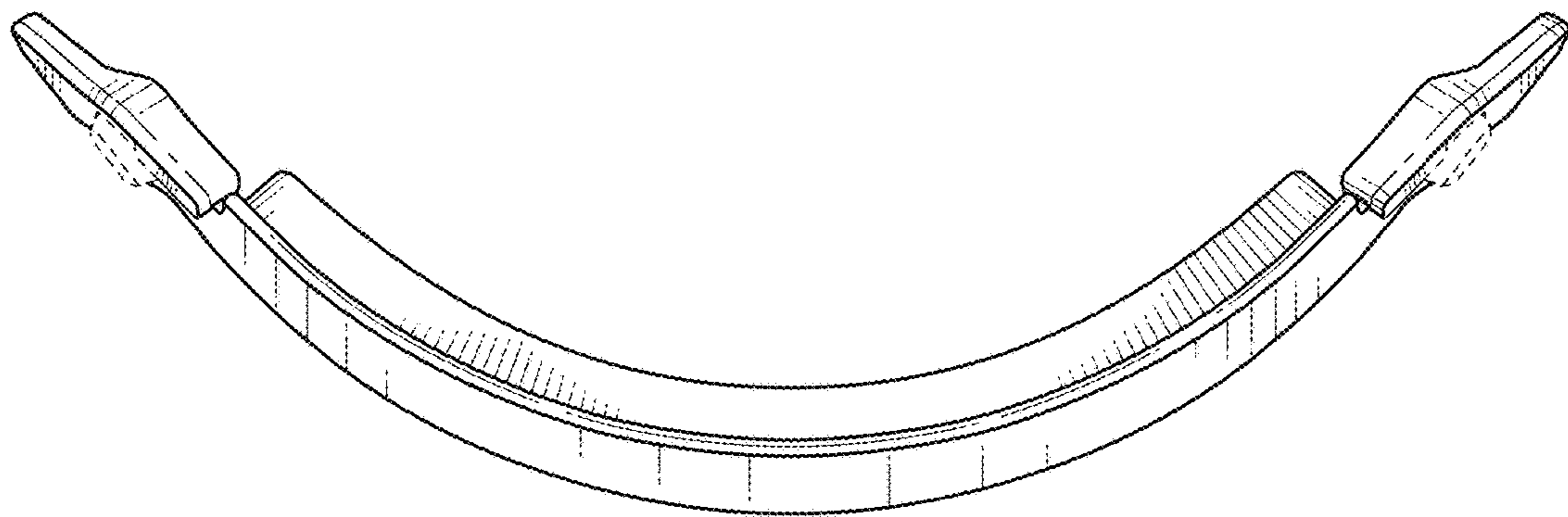


FIG. 5

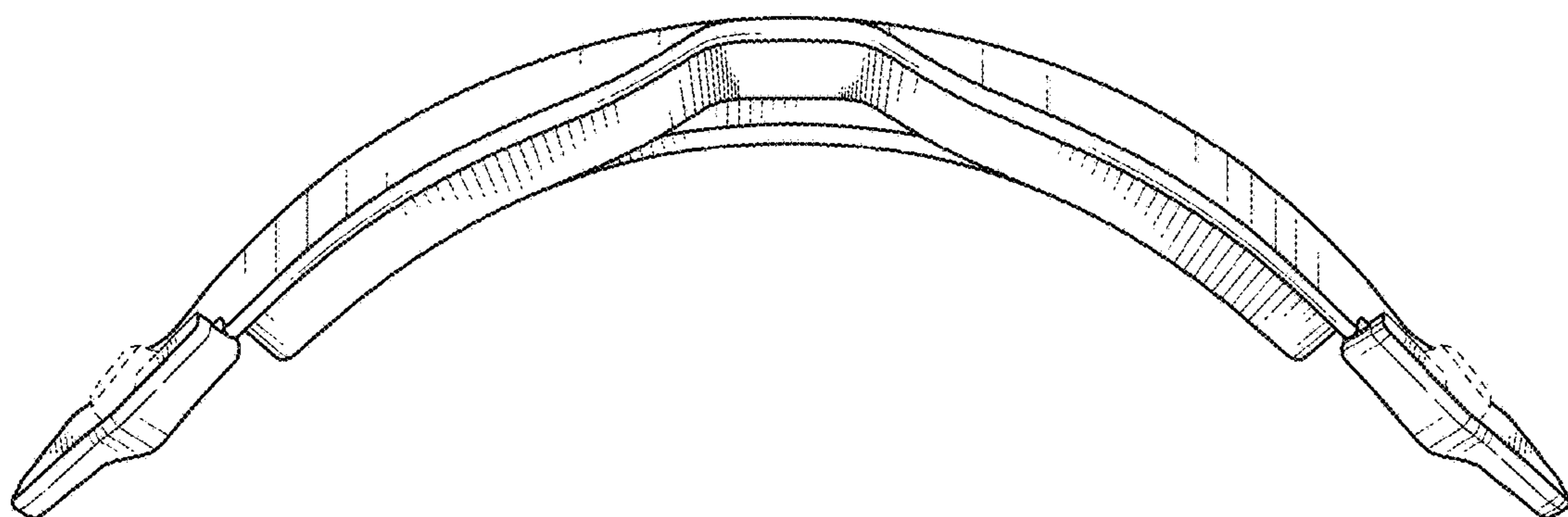


FIG. 6

UNITED STATES PATENT AND TRADEMARK OFFICE  
**CERTIFICATE OF CORRECTION**

PATENT NO. : D818,031 S  
APPLICATION NO. : 29/583085  
DATED : May 15, 2018  
INVENTOR(S) : Nicolas Adolfo Garfias

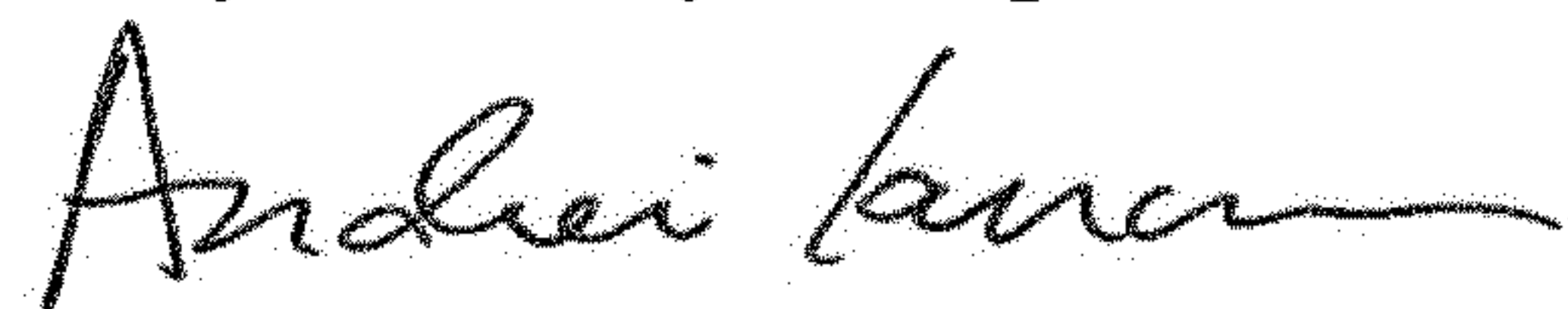
Page 1 of 1

It is certified that error appears in the above-identified patent and that said Letters Patent is hereby corrected as shown below:

On the Title Page

Item (54), please correct the title of the invention to --GOGGLE COMPONENT--.

Signed and Sealed this  
Twenty-fifth Day of September, 2018



Andrei Iancu  
*Director of the United States Patent and Trademark Office*