



US00D818029S

(12) **United States Design Patent**  
**Fujita et al.**

(10) **Patent No.:** **US D818,029 S**  
(45) **Date of Patent:** **\*\* May 15, 2018**

- (54) **DIGITAL CAMERA**
- (71) Applicant: **Nikon Corporation**, Tokyo (JP)
- (72) Inventors: **Chikara Fujita**, Tokyo (JP); **Hiroyuki Asano**, Tokyo (JP)
- (73) Assignee: **Nikon Corporation**, Tokyo (JP)
- (\*\*) Term: **15 Years**
- (21) Appl. No.: **29/610,814**
- (22) Filed: **Jul. 15, 2017**

**Related U.S. Application Data**

- (62) Division of application No. 29/569,142, filed on Jun. 23, 2016.

**Foreign Application Priority Data**

- (30) Dec. 25, 2015 (JP) ..... 2015-029004
- Dec. 25, 2015 (JP) ..... 2015-029005
- Dec. 25, 2015 (JP) ..... 2015-029006

- (51) **LOC (11) Cl.** ..... **16-01**

- (52) **U.S. Cl.**  
USPC ..... **D16/218**

- (58) **Field of Classification Search**

USPC ..... D16/200, 202-206, 208, 218, 219;  
348/373-376; 396/535, 539-541  
CPC ..... G03B 15/03; G03B 17/02; G03B 17/04;  
G03B 17/56; G03B 19/04; H04N 5/2251;  
H04N 5/2252; H04N 5/2253; H04N  
5/2254; H04N 2101/00

See application file for complete search history.

- (56) **References Cited**

**U.S. PATENT DOCUMENTS**

D113,220 S 2/1939 Crumrine  
D441,386 S \* 5/2001 Yamazaki ..... D16/203  
D480,741 S 10/2003 Berger et al.

6,718,129 B1 6/2004 Cornell  
6,788,887 B2 9/2004 Takeshita et al.  
D504,904 S 10/2005 Nagai  
D524,837 S 11/2006 Chen et al.

(Continued)

**FOREIGN PATENT DOCUMENTS**

JP 1088744 S 10/2000  
JP 1088745 S 10/2000

(Continued)

**OTHER PUBLICATIONS**

Notice of Allowance for U.S. Appl. No. 29/569,139, dated Feb. 28, 2017, 8 pages.

(Continued)

*Primary Examiner* — Philip S Hyder

*Assistant Examiner* — Ramzi Almatrahi

(74) *Attorney, Agent, or Firm* — Wolf, Greenfield & Sacks, P.C.

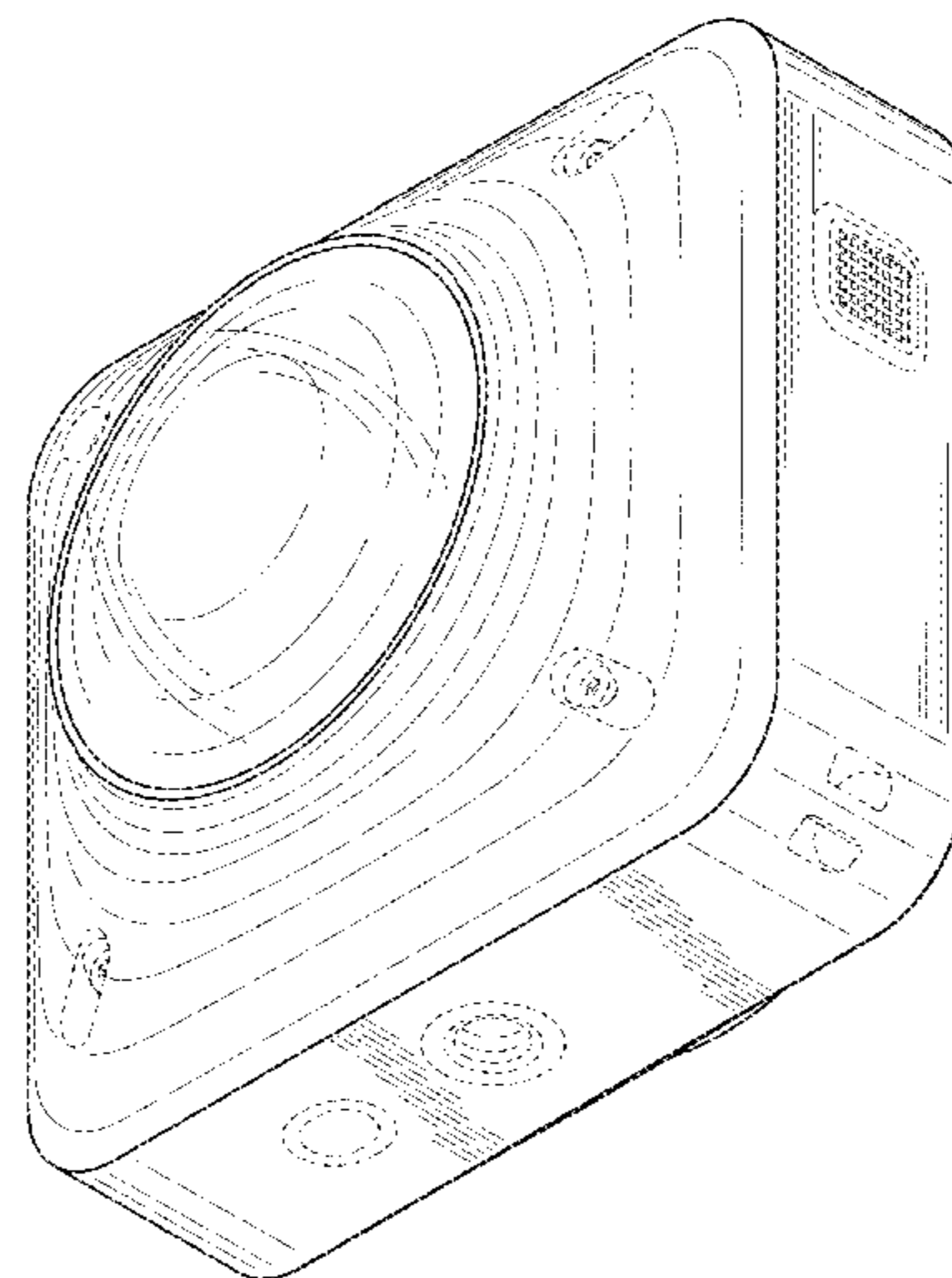
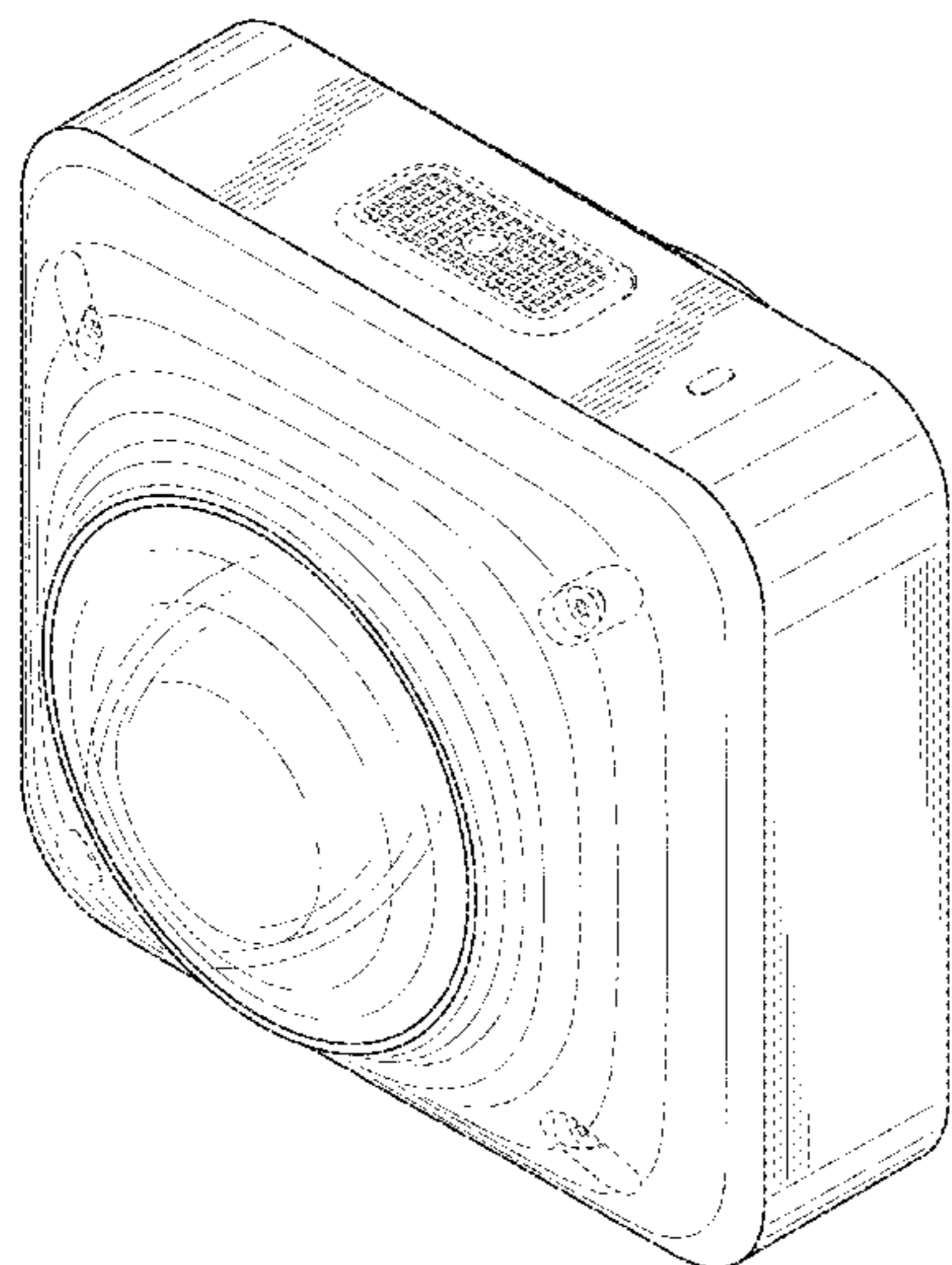
- (57) **CLAIM**

The ornamental design for a digital camera, as shown and described.

**DESCRIPTION**

FIG. 1 is a front, top and right side perspective view of a digital camera showing our new design;  
FIG. 2 is a rear, bottom and left side perspective view thereof;  
FIG. 3 is a front elevational view thereof;  
FIG. 4 is a rear elevational view thereof;  
FIG. 5 is a top plan view thereof;  
FIG. 6 is a bottom plan view thereof;  
FIG. 7 is a right side elevational view thereof; and,  
FIG. 8 is a left side elevational view thereof.  
The broken lines illustrate portions of the digital camera and form no part of the claimed design.

**1 Claim, 8 Drawing Sheets**



(56)

References Cited

U.S. PATENT DOCUMENTS

D551,275 S 9/2007 Kim  
 D594,047 S 9/2009 Lee  
 D614,223 S 4/2010 Kim et al.  
 D616,480 S \* 5/2010 Ookawa ..... D16/218  
 D674,832 S \* 1/2013 Zhang ..... D16/202  
 D687,875 S \* 8/2013 Sasaki ..... D16/202  
 D721,395 S 1/2015 Woodman et al.  
 D744,572 S 1/2015 Tabuchi  
 D725,169 S 3/2015 Gioscia et al.  
 D733,784 S 7/2015 Yamashita  
 D737,356 S 8/2015 Tabuchi  
 D750,686 S 3/2016 Chen  
 9,282,226 B2 3/2016 Samuels et al.  
 D754,767 S 4/2016 Sandy  
 D754,768 S 4/2016 Patulski et al.  
 D755,270 S 5/2016 Vehlewald et al.  
 D760,309 S 6/2016 Parfitt et al.  
 D769,346 S 10/2016 Nguyen et al.  
 D773,546 S 12/2016 Nguyen et al.  
 D777,232 S 1/2017 Lillquist et al.  
 D789,435 S \* 6/2017 Nguyen ..... D16/202  
 D791,211 S \* 7/2017 Fujita ..... D16/219  
 D803,925 S \* 11/2017 Hoshi ..... D16/218  
 D806,775 S \* 1/2018 Nguyen ..... D16/218  
 2011/0216195 A1 \* 9/2011 Tanaka ..... H04N 5/2253  
 348/148

FOREIGN PATENT DOCUMENTS

JP 1088746 S 10/2000  
 JP 1480863 S 7/2013  
 JP 1496295 S 12/2014

OTHER PUBLICATIONS

[No Author Listed] Hands-On With Bublcam's Spherical Video Camera. AOL Inc. <http://techcrunch.com/2014/08/26/hands-on-with-bublcams-spherical-video-camera>. 6 pages. [Posted Aug. 26, 2014; last accessed: Jun. 14, 2016].  
 [No Author Listed] Exclusive sales of Kodak brand camera in Japan—Release of '360-degree action camera'. Maspro Denkoh Corp. [http://www.maspro.co.jp/new\\_prod/sp360/index.html](http://www.maspro.co.jp/new_prod/sp360/index.html), 5 pages. [Posted Oct. 23, 2014; last accessed: Jun. 14, 2016].  
 [No Author Listed] New release super-wide angle video camera, QBic MS-1 of Elmo Co., Ltd. AOL Online Japan, Ltd. <http://japanese.engadget.com/2014/02/12/qbic-ms-1>, 7 pages. [Posted Feb. 12, 2014; last accessed: Jun. 14, 2016].  
 U.S. Appl. No. 29/569,142, filed Jun. 23, 2016, Fujita et al.

\* cited by examiner

FIG. 1

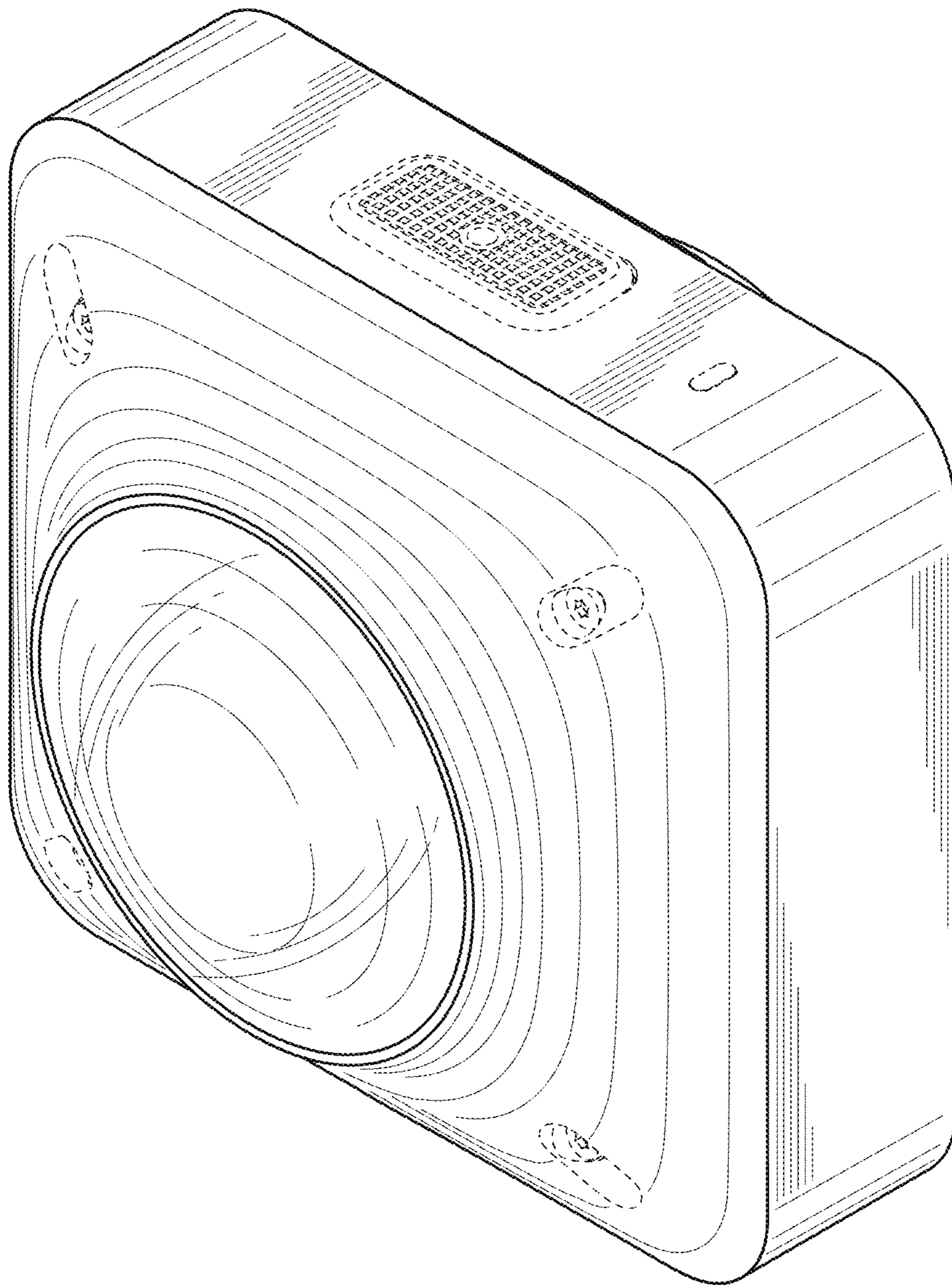


FIG. 2

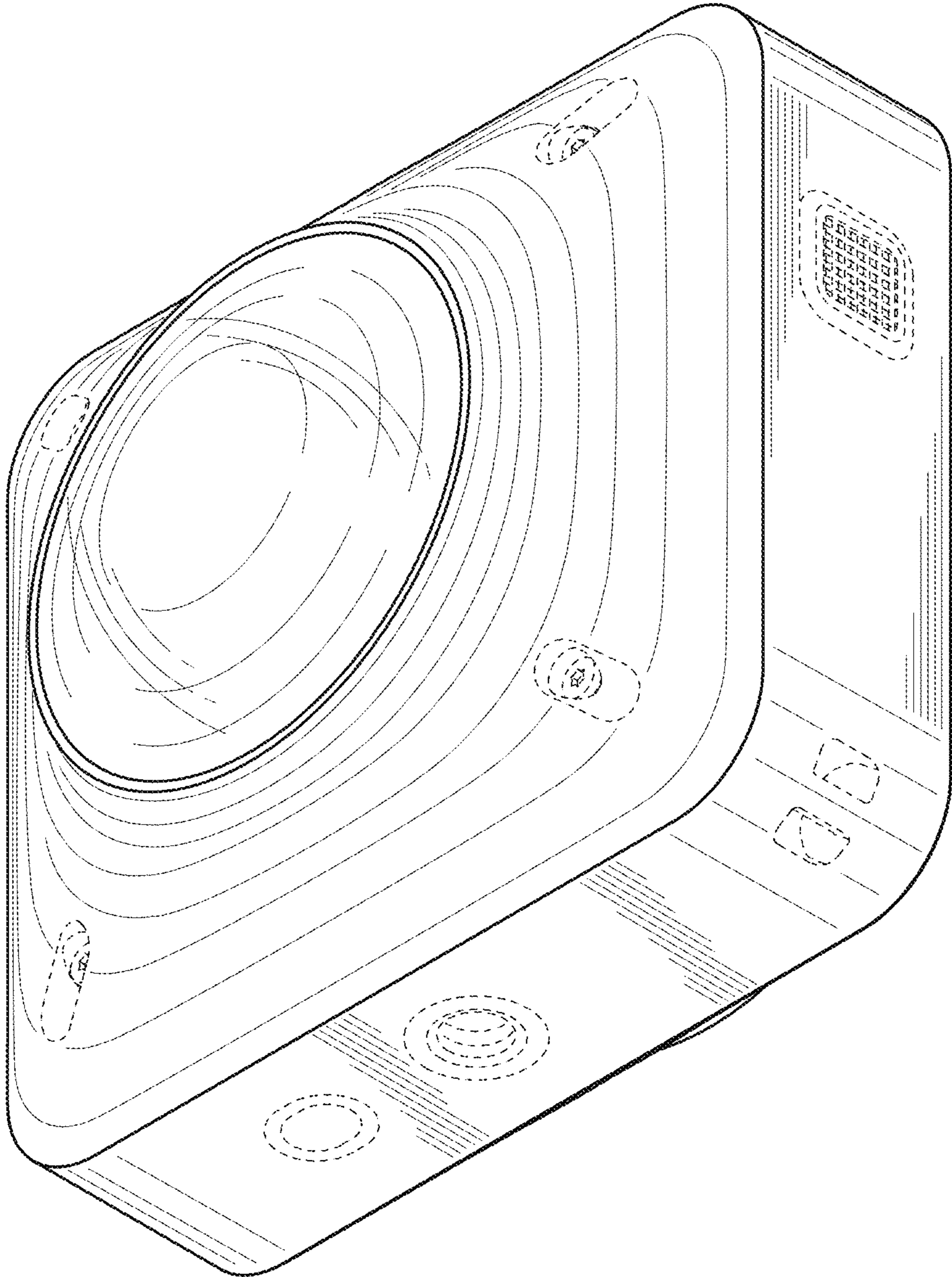


FIG. 3

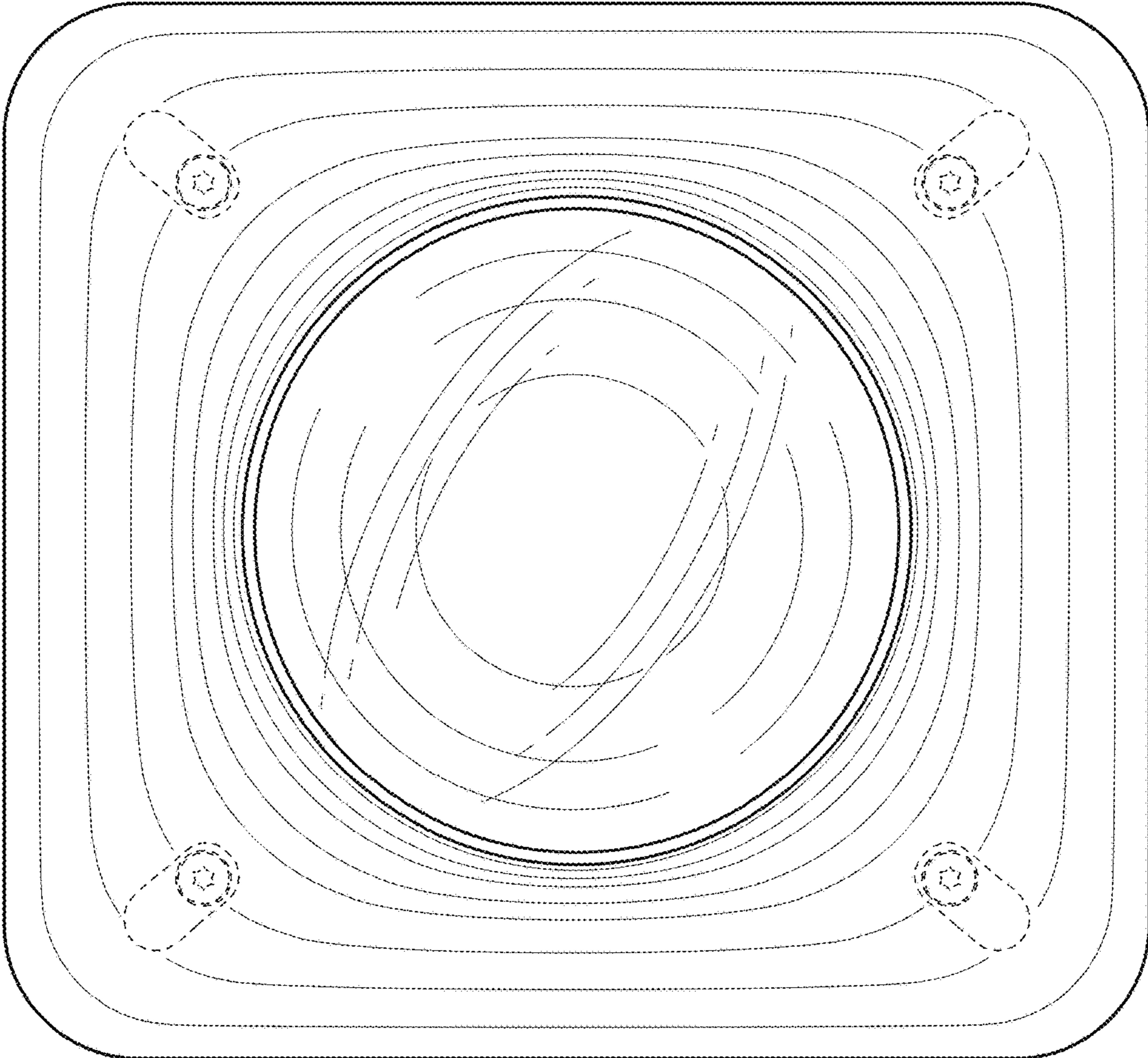


FIG. 4

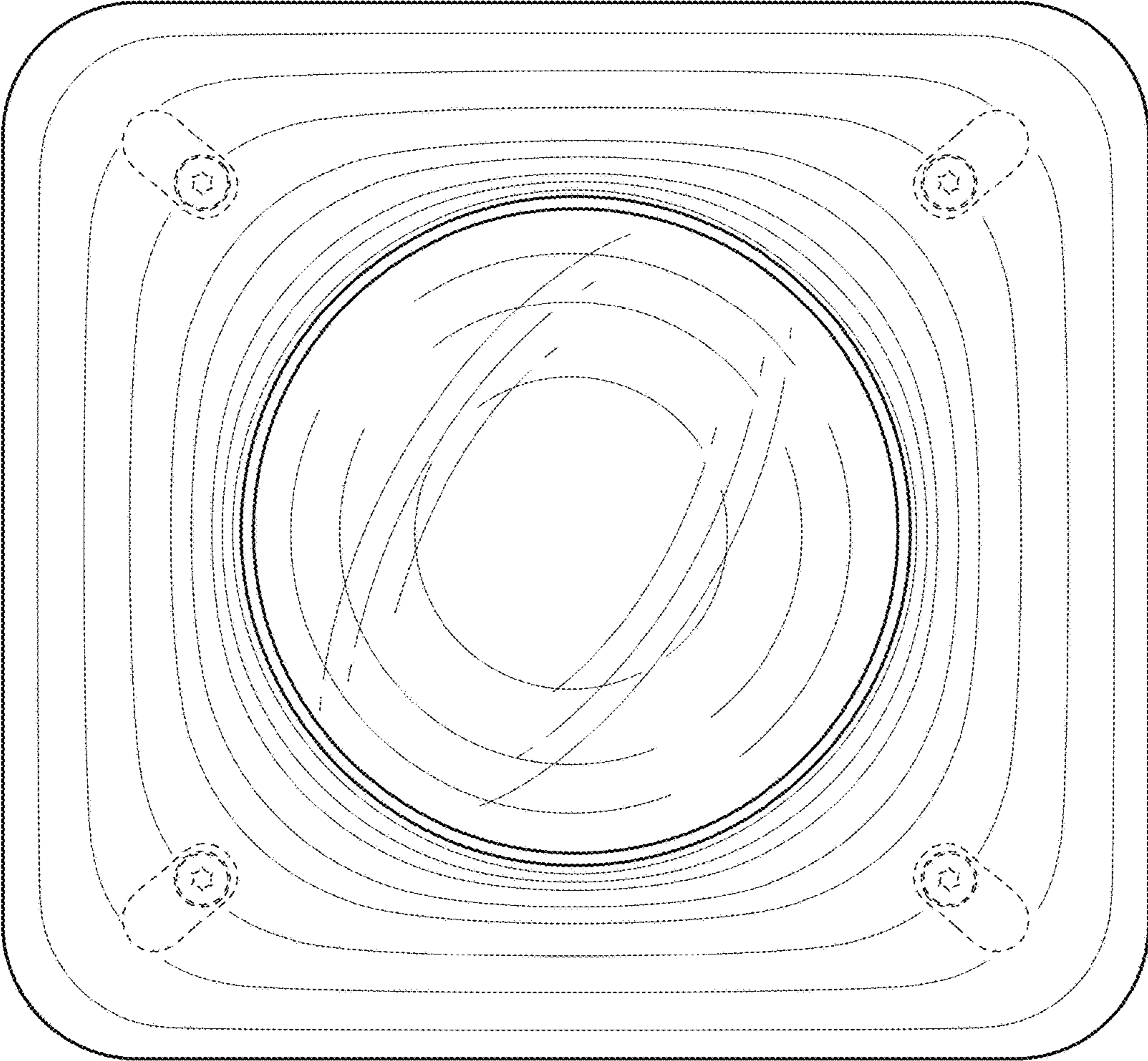


FIG. 5

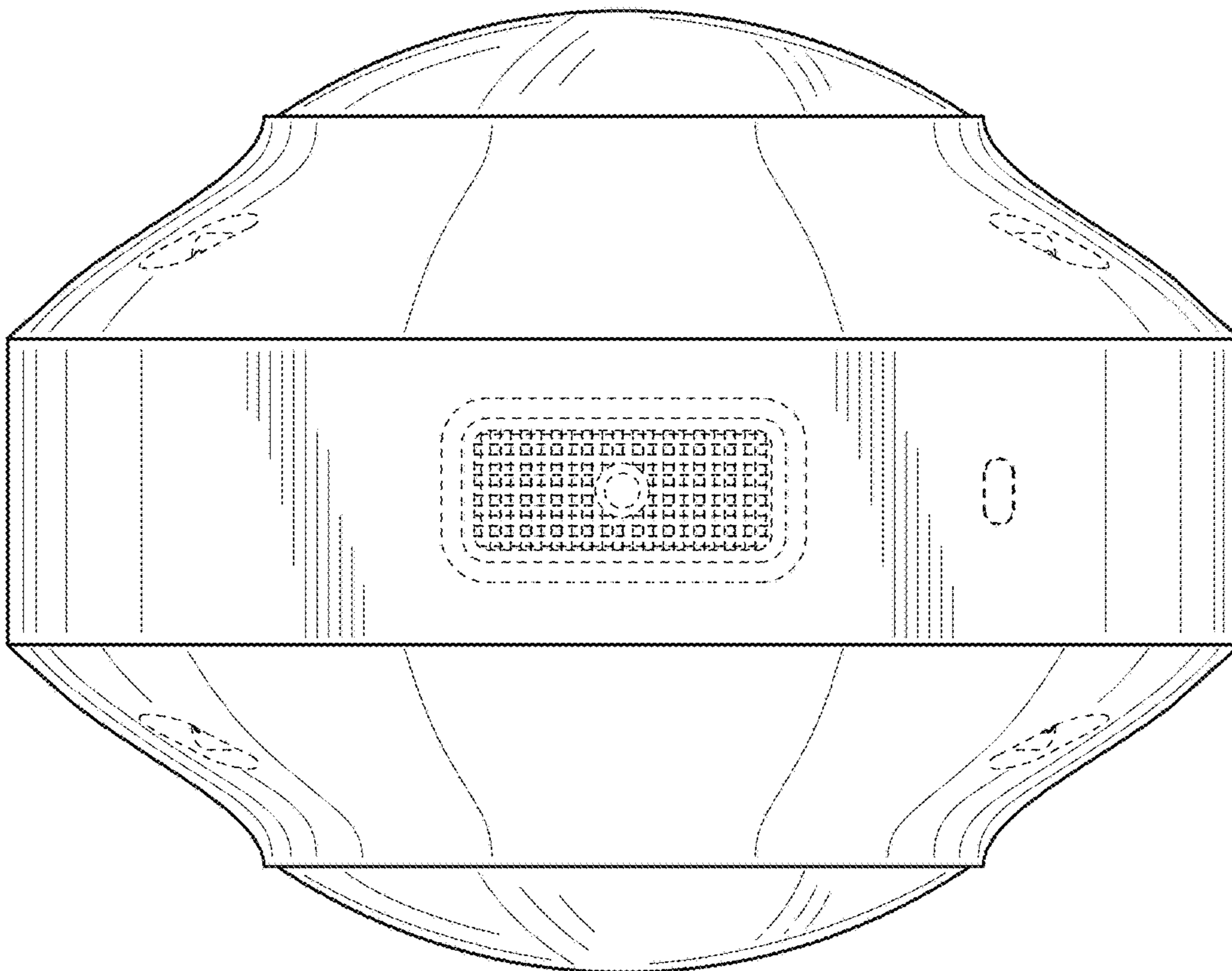


FIG. 6

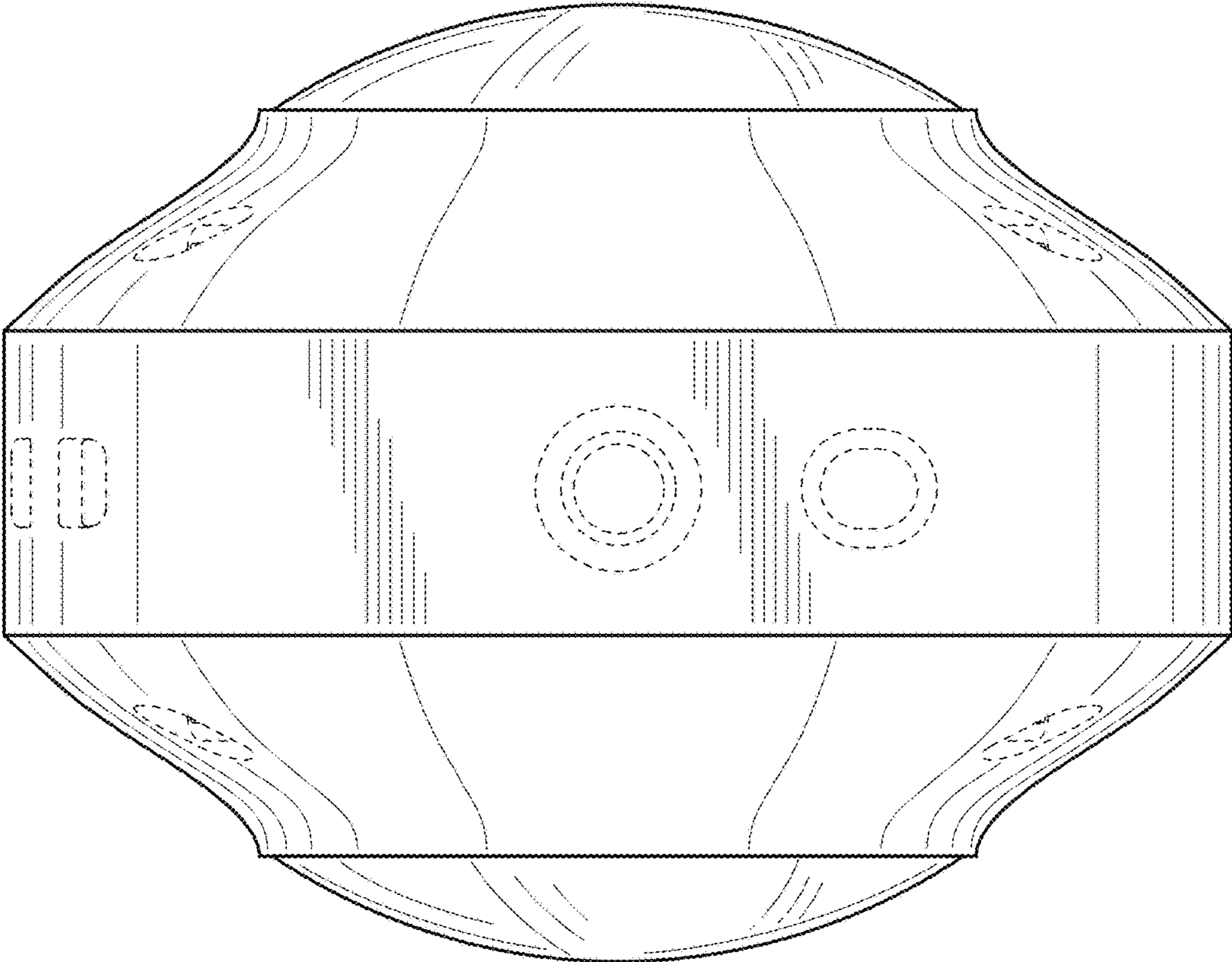




FIG. 7

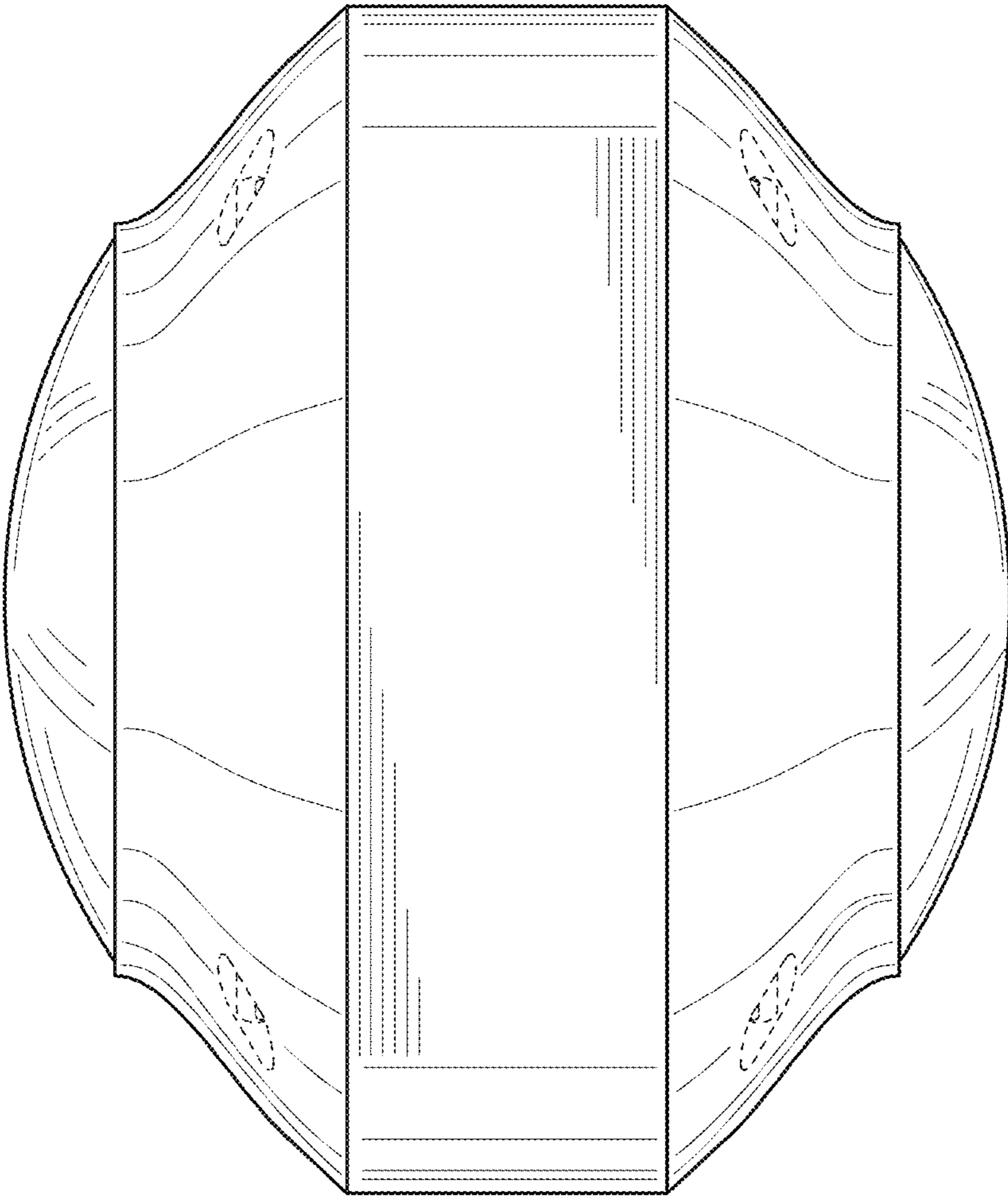


FIG. 8

