



US00D818028S

(12) **United States Design Patent** (10) **Patent No.:** **US D818,028 S**
Ramones et al. (45) **Date of Patent:** **** May 15, 2018**

(54) **CAMERA**

(71) Applicant: **Netgear, Inc.**, San Jose, CA (US)

(72) Inventors: **John Kui Yin Ramones**, San Ramon, CA (US); **Henry Arthur Jupille**, Montrose, CO (US)

(73) Assignee: **Netgear, Inc.**, San Jose, CA (US)

(**) Term: **15 Years**

(21) Appl. No.: **29/539,894**

(22) Filed: **Sep. 18, 2015**

(51) **LOC (11) Cl.** **16-01**

(52) **U.S. Cl.**
 USPC **D16/214**; D16/202

(58) **Field of Classification Search**
 USPC D16/200, 202–205, 208, 211, 214, 218, D16/219, 221, 242; 348/14.01–14.06, 348/143, 148, 373–376; 396/419, 427, 396/535, 539–541
 CPC G03B 17/02; G03B 19/04; G03B 17/56; G03B 17/04; G03B 15/03; H04N 5/2251; H04N 5/2252; H04N 5/2253; H04N 5/2254; H04N 2007/145; H04N 7/141; H04N 7/142; H04N 7/147; H04N 7/148; H04N 7/15; H04N 7/152
 See application file for complete search history.

D729,296 S * 5/2015 Shelton D16/202
 D733,781 S * 7/2015 Chen D16/202
 D740,871 S * 10/2015 Moon D16/203
 D741,932 S * 10/2015 Huang D16/202
 D743,467 S * 11/2015 Bhattacharya D16/203
 D746,350 S * 12/2015 Li D16/203
 D748,709 S * 2/2016 Jeong D16/202
 D754,233 S * 4/2016 Du D16/211
 D757,835 S * 5/2016 Tabuchi D16/203

* cited by examiner

Primary Examiner — Philip S Hyder
Assistant Examiner — Ramzi Almatrahi
 (74) *Attorney, Agent, or Firm* — Boyle Fredrickson, S.C.

(57) **CLAIM**

The ornamental design for a camera, as shown and described.

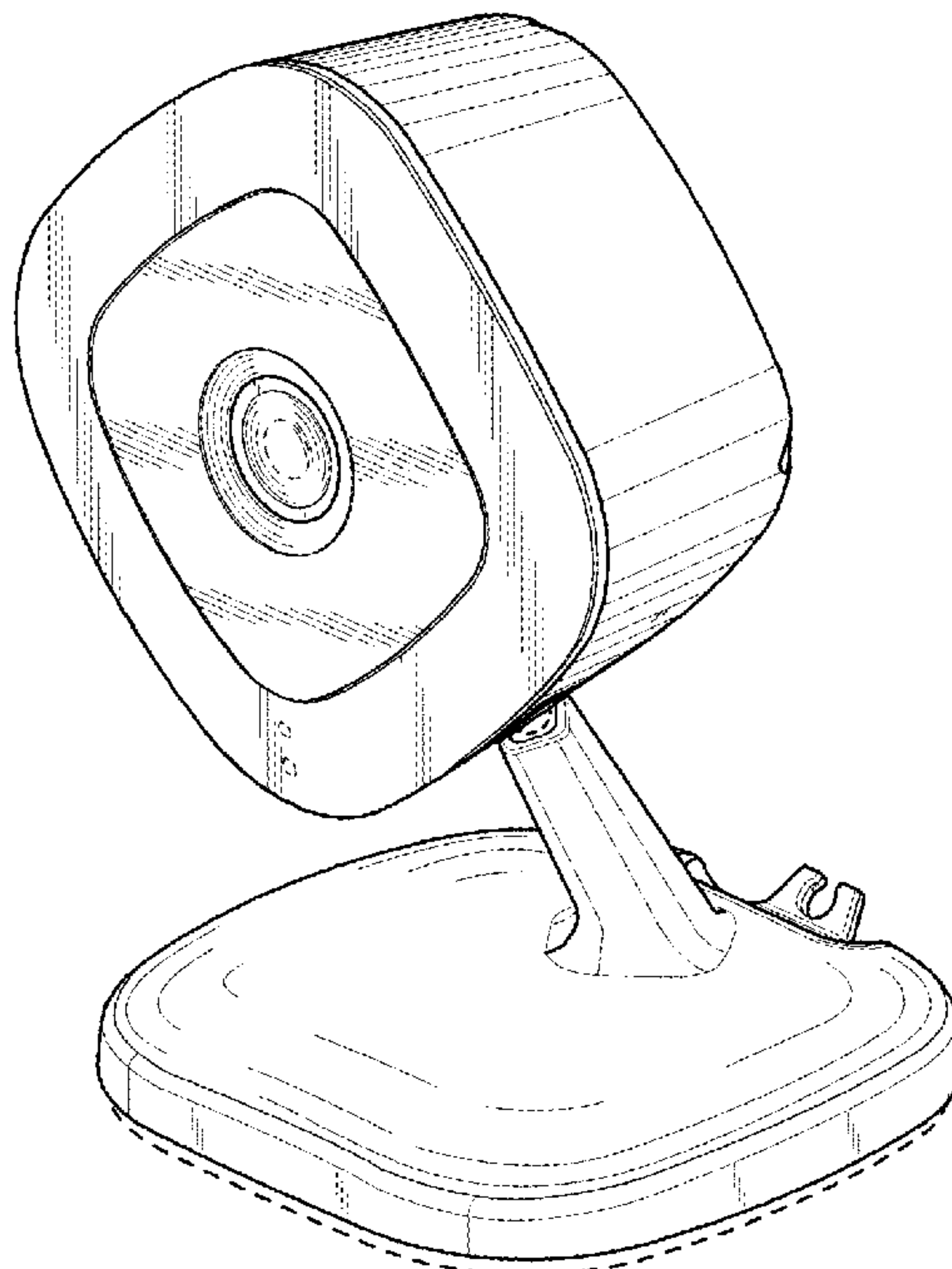
DESCRIPTION

FIG. 1 is a top, front and right side perspective view of a camera showing our new design.
 FIG. 2 is a right-side elevation view thereof;
 FIG. 3 is a left-side elevation view thereof;
 FIG. 4 is a top plan view thereof;
 FIG. 5 is a bottom plan view thereof;
 FIG. 6 is a front elevation view thereof; and,
 FIG. 7 is a rear elevation view thereof.
 The broken lines in FIGS. 1-7 depict portions of a camera in which the design is embodied that form no part of the claimed design.

(56) **References Cited**
 U.S. PATENT DOCUMENTS

D649,573 S * 11/2011 Al D16/202
 D721,754 S * 1/2015 Chen D16/202

1 Claim, 4 Drawing Sheets



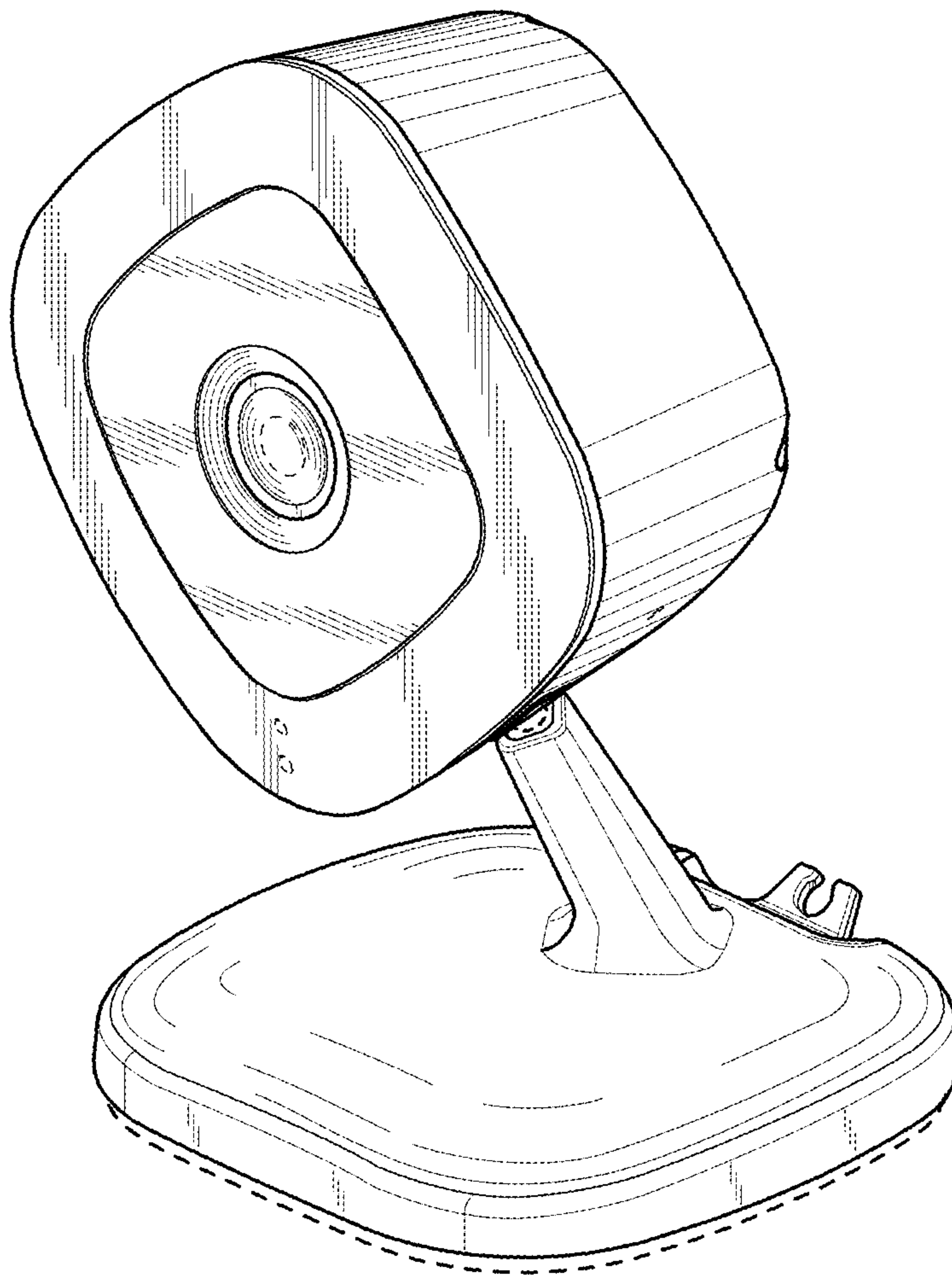


FIG. 1

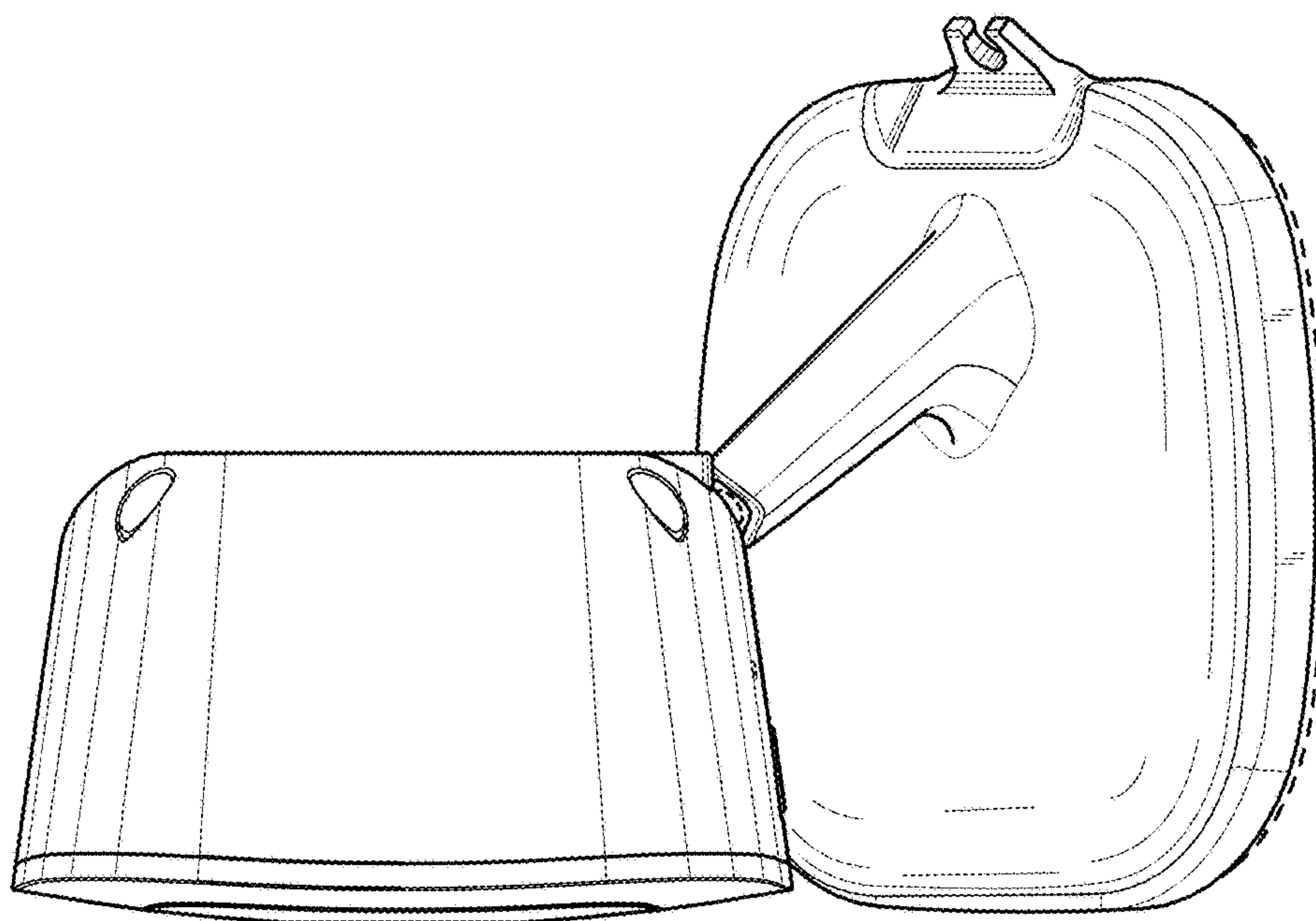


FIG. 2

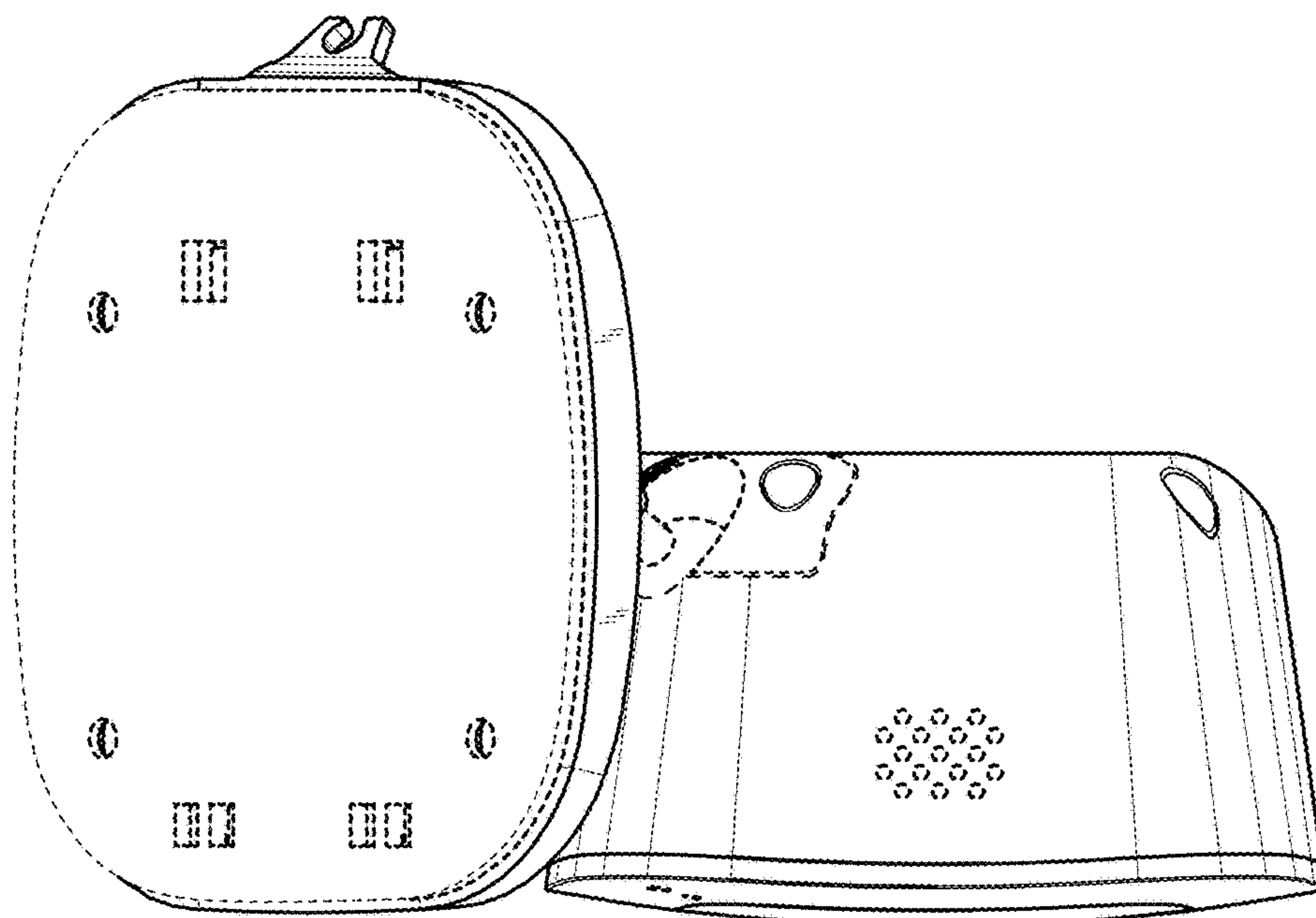


FIG. 3

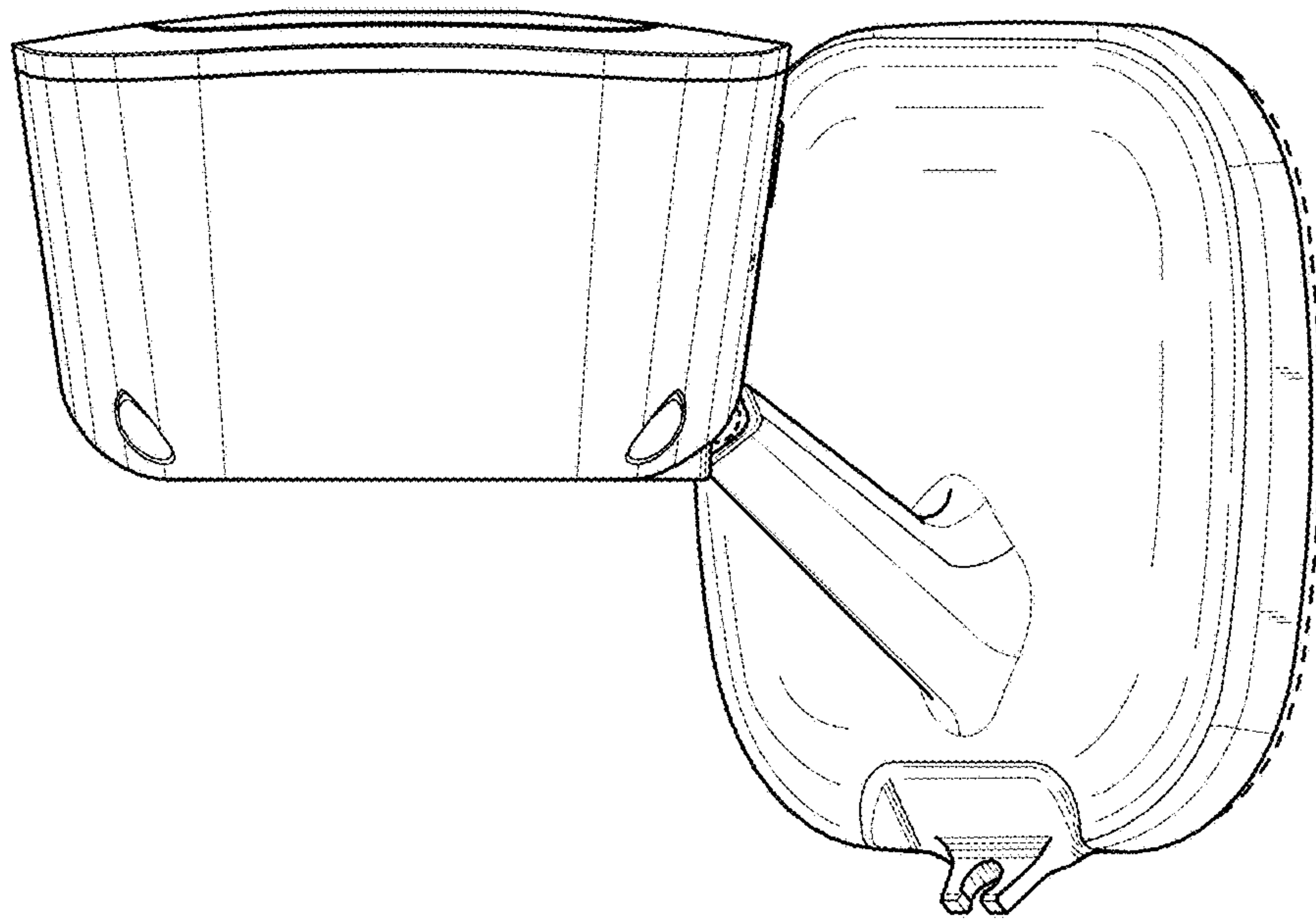


FIG. 4

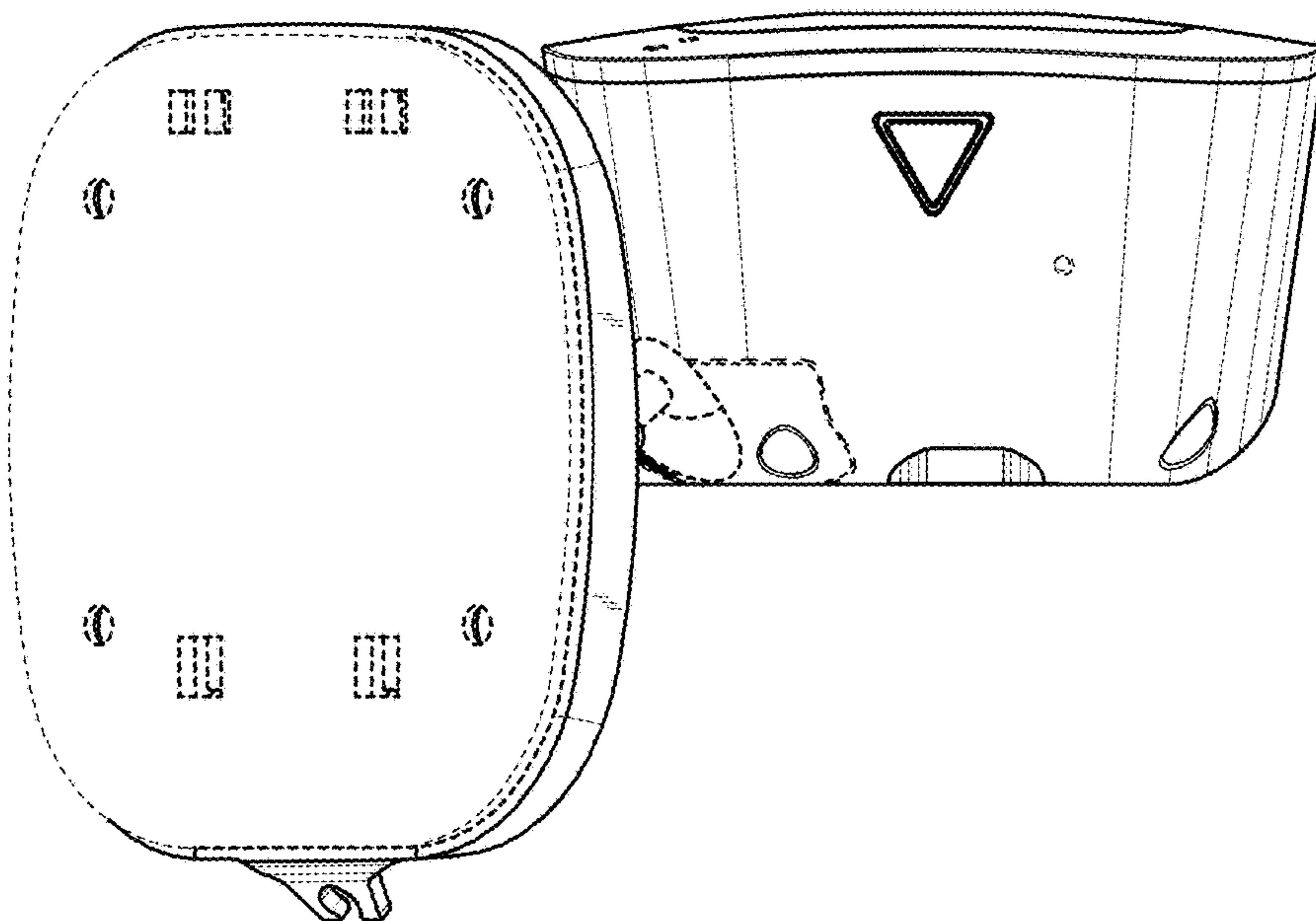


FIG. 5

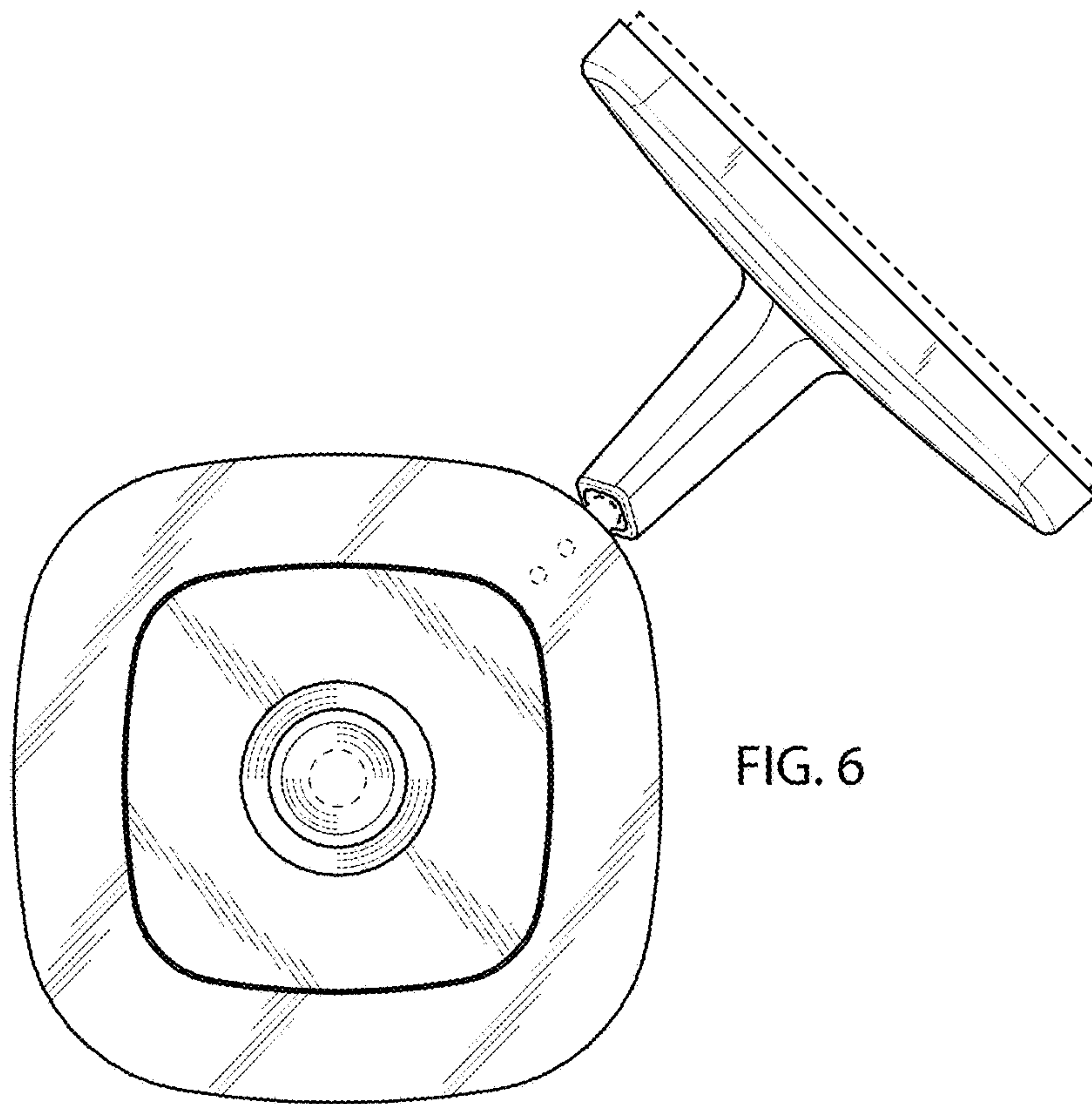


FIG. 6

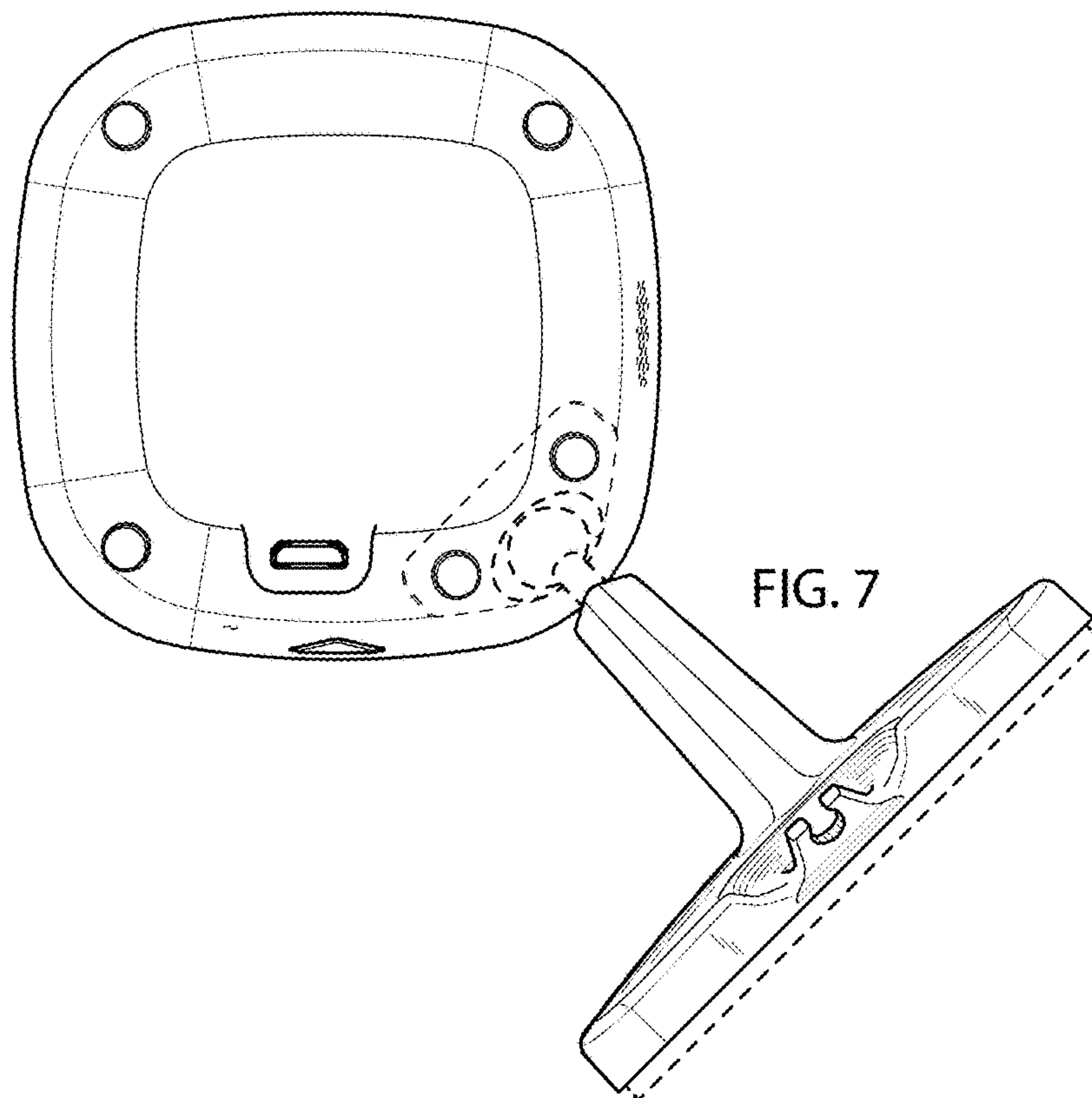


FIG. 7