



US00D818027S

(12) **United States Design Patent** (10) **Patent No.:** **US D818,027 S**
Ravat et al. (45) **Date of Patent:** **** May 15, 2018**

- (54) **CAMERA** D574,870 S * 8/2008 Takahashi D16/202
- (71) Applicant: **Amcrest Global Holdings Limited,** D583,845 S * 12/2008 Hayashi D14/130
Dublin (IE) D626,984 S * 11/2010 Miyaji D16/202
- (72) Inventors: **Abdurahman Ravat,** Houston, TX D661,718 S * 6/2012 Tang D16/202
(US); **Tahir Ravat,** Dublin (IE); **Raheel** 8,695,258 B2 * 4/2014 Kori G09F 7/06
Nusratullah, Houston, TX (US); **Ti** 40/663
liang Hou, Shenzhen (CN); **Wu bin** D719,204 S * 12/2014 Nakanishi D16/203
Hou, Shenzhen (CN) D723,395 S * 3/2015 Dispenza D10/53

(73) Assignee: **Amcrest Global Holdings Limited,**
Dublin (IE)

(**) Term: **15 Years**

(21) Appl. No.: **29/595,147**

(22) Filed: **Feb. 25, 2017**

(51) **LOC (11) Cl.** **16-01**

(52) **U.S. Cl.**
USPC **D16/203**

(58) **Field of Classification Search**
USPC D16/200, 202–206, 218, 219, 242;
348/143, 148, 151, 373–376; 396/419,
396/427, 535, 539–541
CPC G03B 17/02; G03B 19/04; G03B 17/56;
G03B 17/04; G03B 15/03; H04N 5/2251;
H04N 5/2252; H04N 5/2253; H04N
5/2254; H04N 7/181; H04N 7/183; H04N
7/18; G08B 13/1963; G08B 13/19619;
G08B 13/19632; F16M 11/04; F16M
13/00
See application file for complete search history.

(56) **References Cited**

U.S. PATENT DOCUMENTS

- D542,319 S * 5/2007 Ishida D16/202
- D556,803 S * 12/2007 Ishida D16/202

* cited by examiner

Primary Examiner — Philip S Hyder

Assistant Examiner — Ramzi Almatrahi

(74) *Attorney, Agent, or Firm* — The Juhasz Law Firm

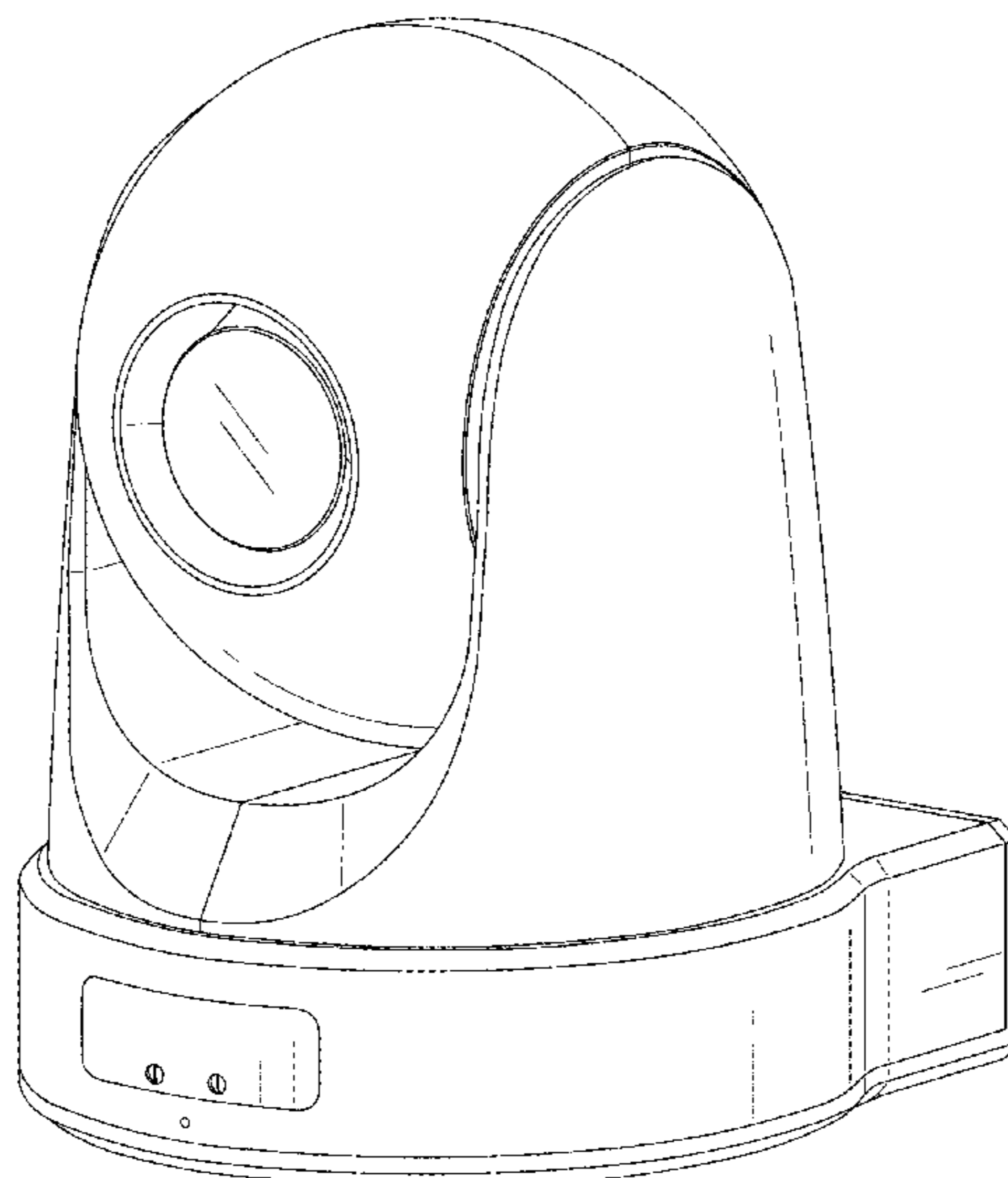
(57) **CLAIM**

The ornamental design for a camera, as shown and described.

DESCRIPTION

FIG. 1 is a front perspective view of a camera showing our new design;
FIG. 2 is a front elevational view thereof;
FIG. 3 is a right side elevational view thereof;
FIG. 4 is a left side elevational view thereof;
FIG. 5 is a top plan view thereof;
FIG. 6 is a bottom plan view thereof; and,
FIG. 7 is a rear elevational view thereof.
The broken lines are included for the purpose of illustrating portions of the camera and form no part of the claimed design.

1 Claim, 7 Drawing Sheets



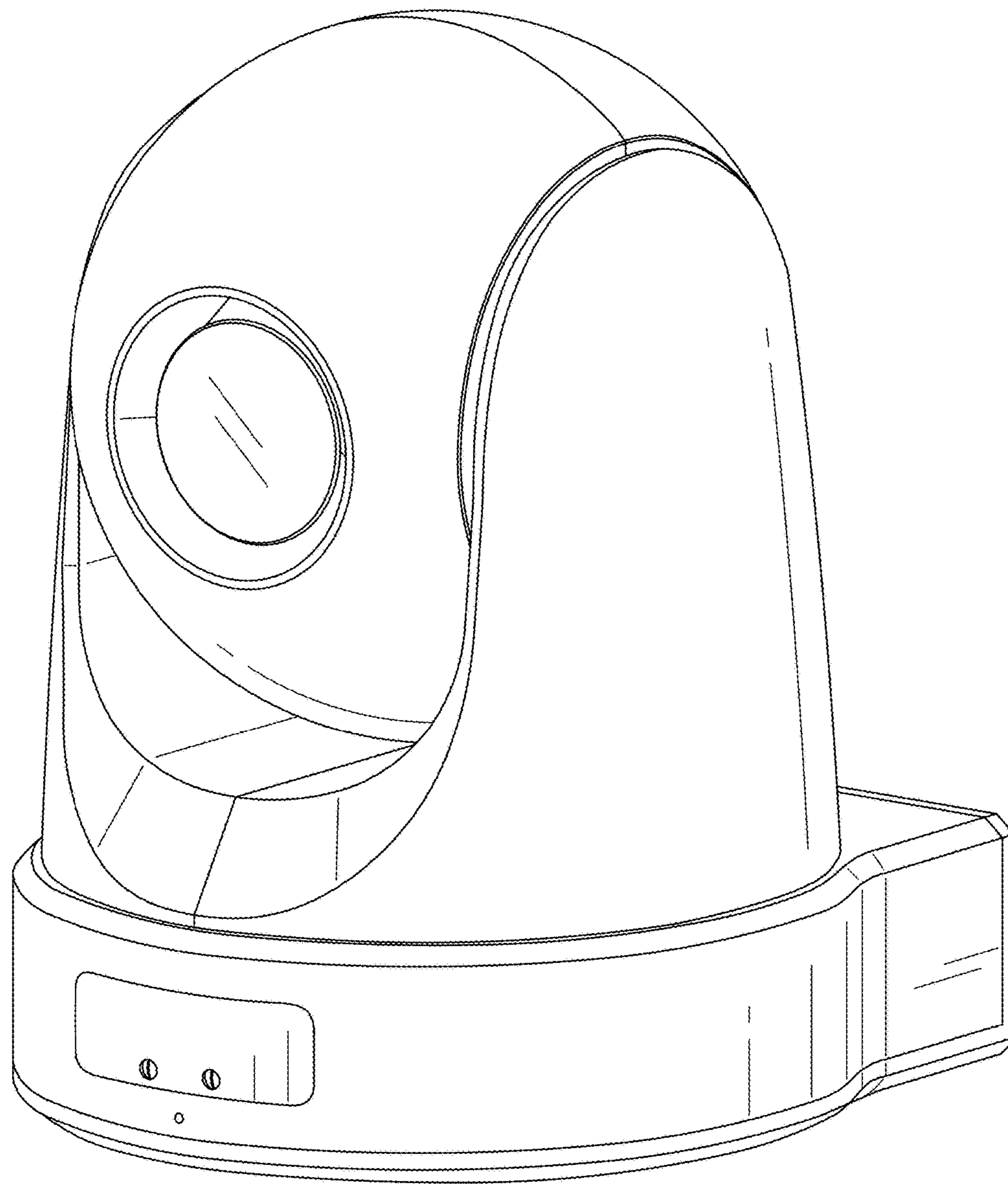


FIG. 1

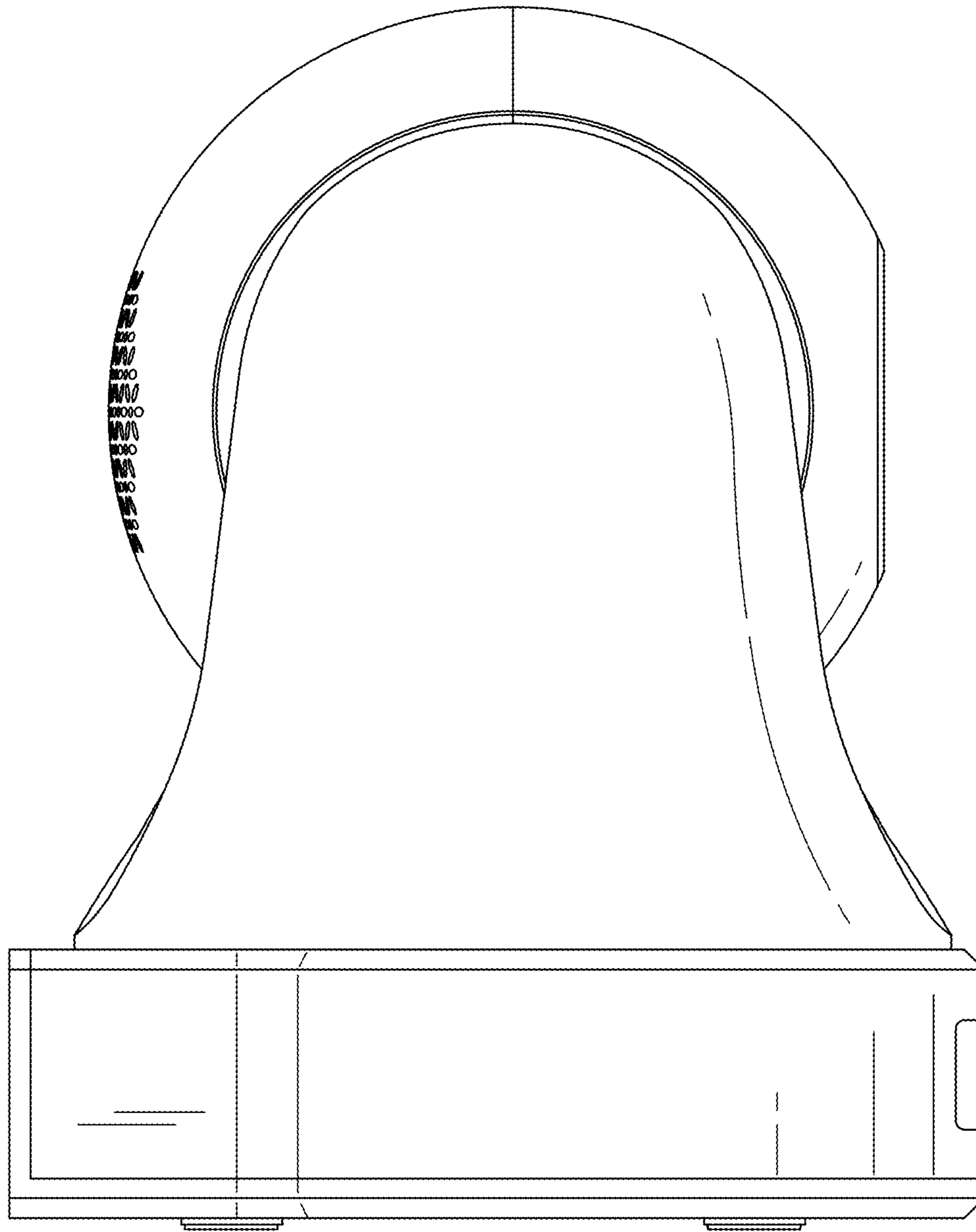


FIG. 2

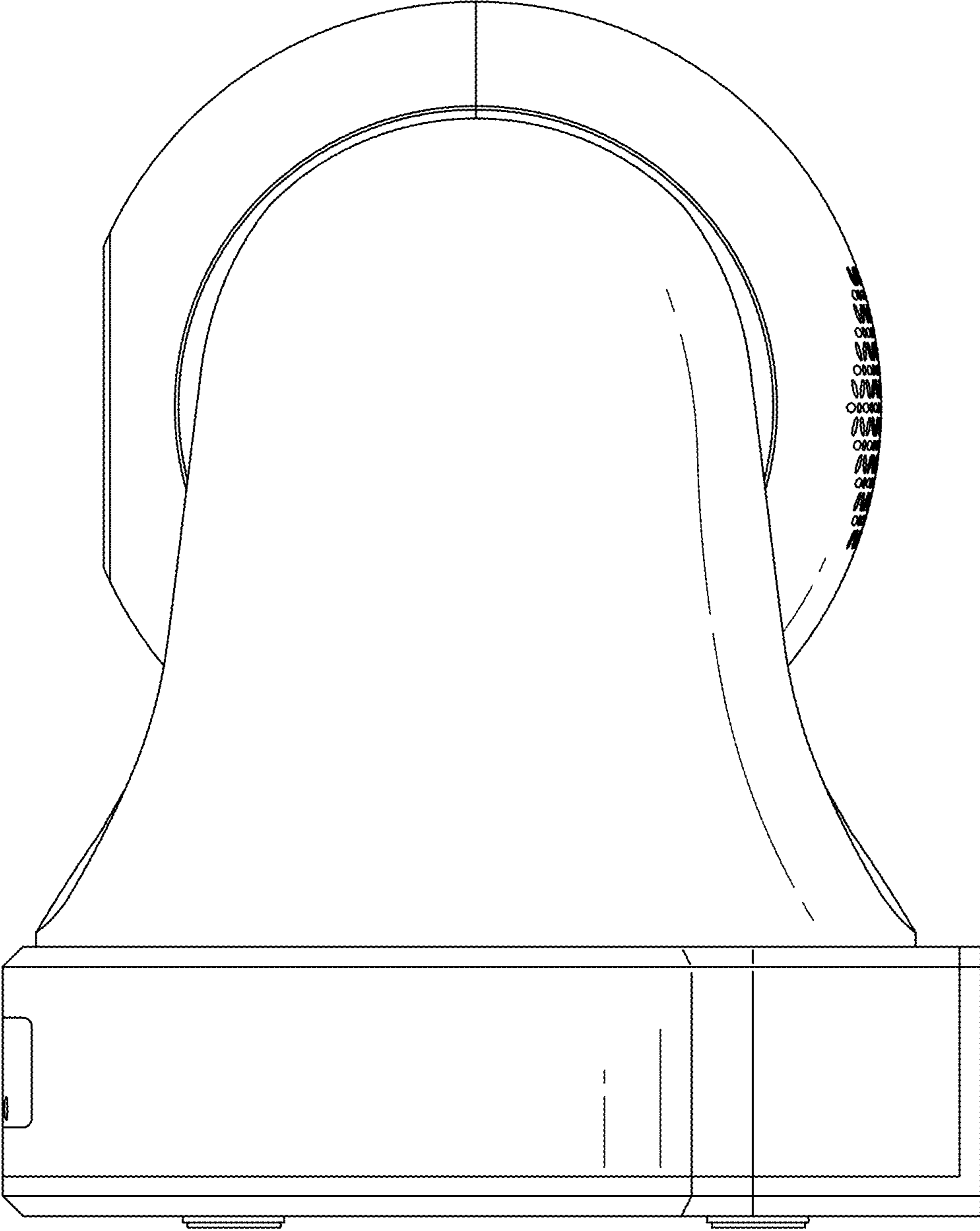


FIG. 3

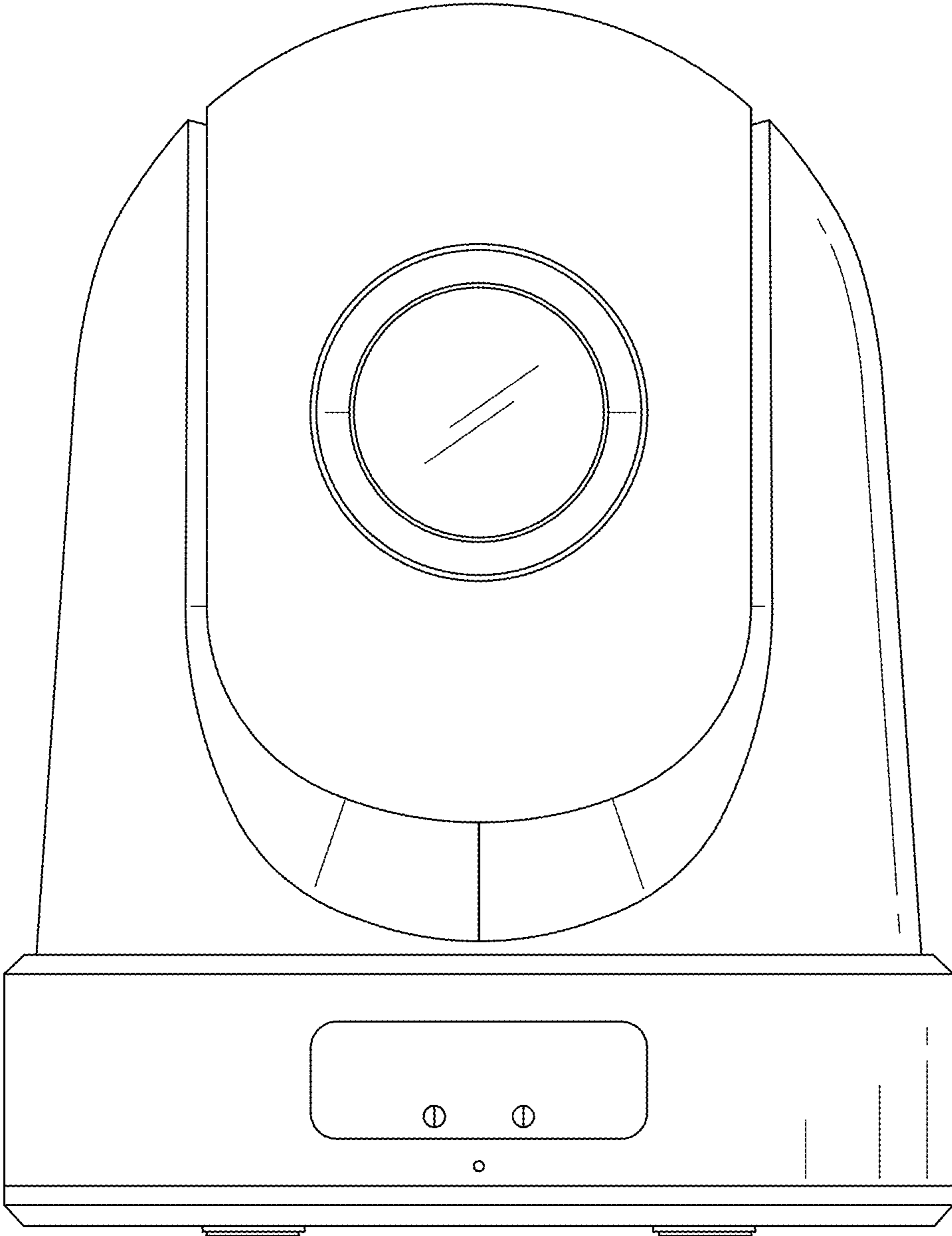


FIG. 4

Replacement Sheet

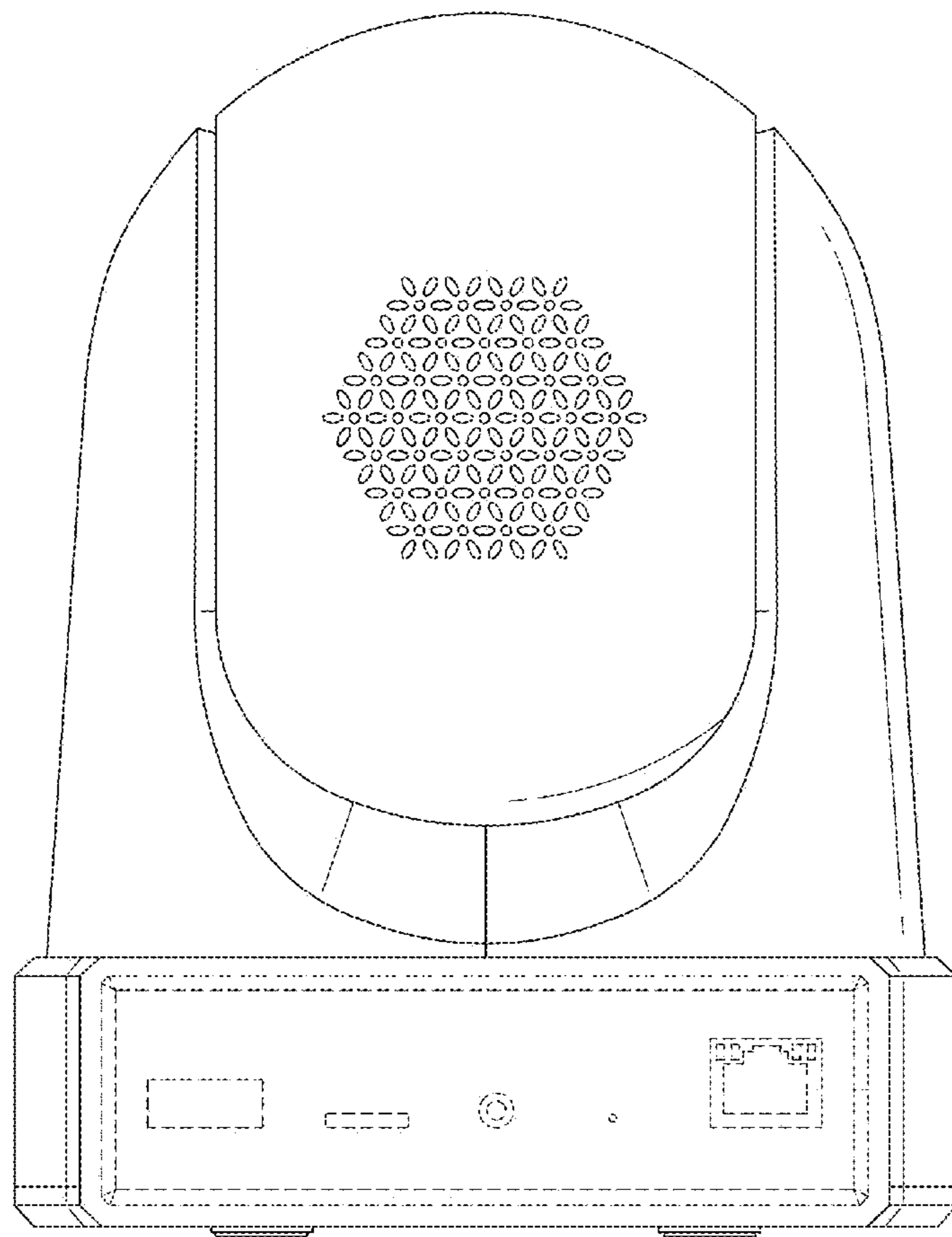


FIG. 5

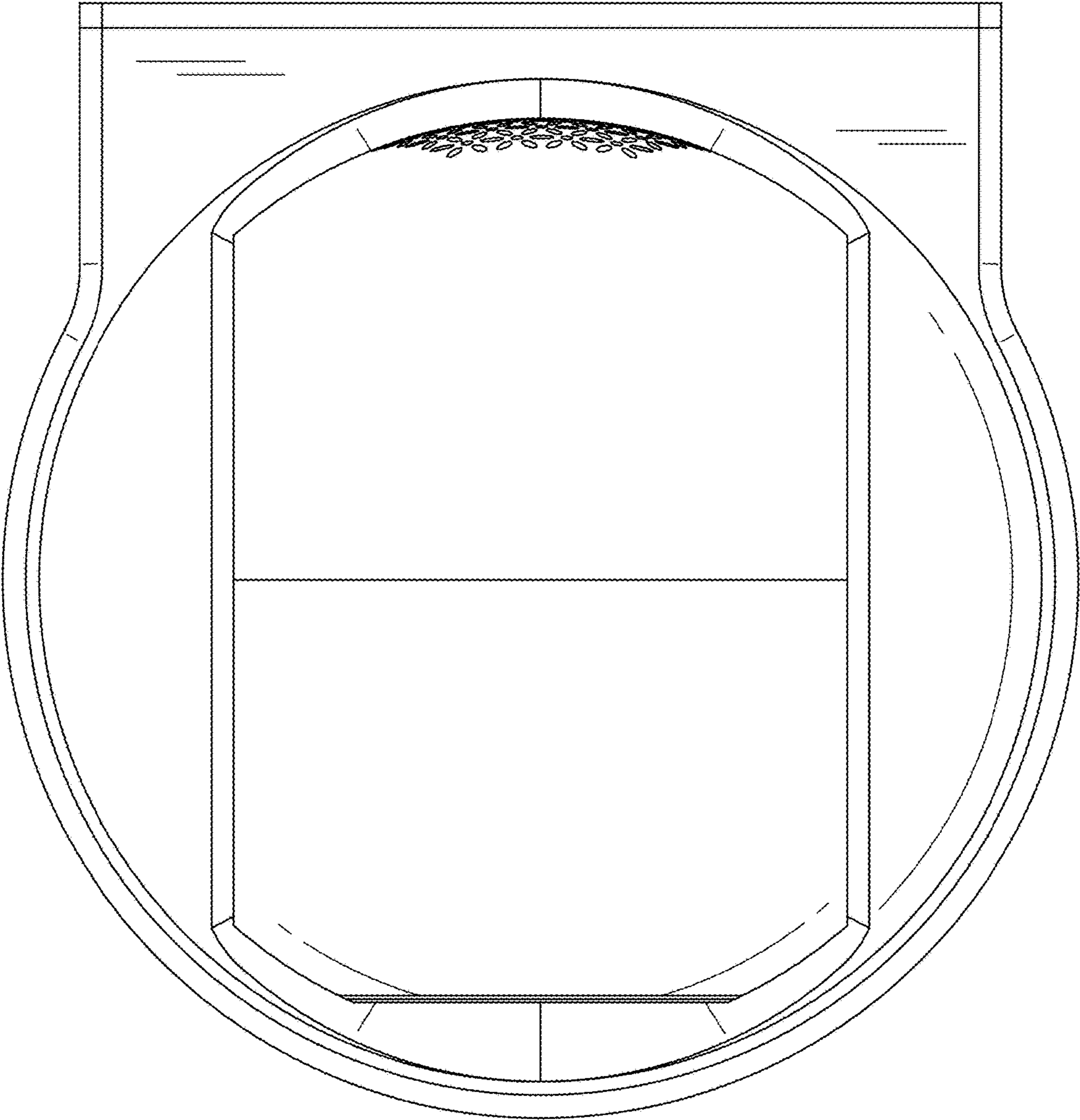


FIG. 6

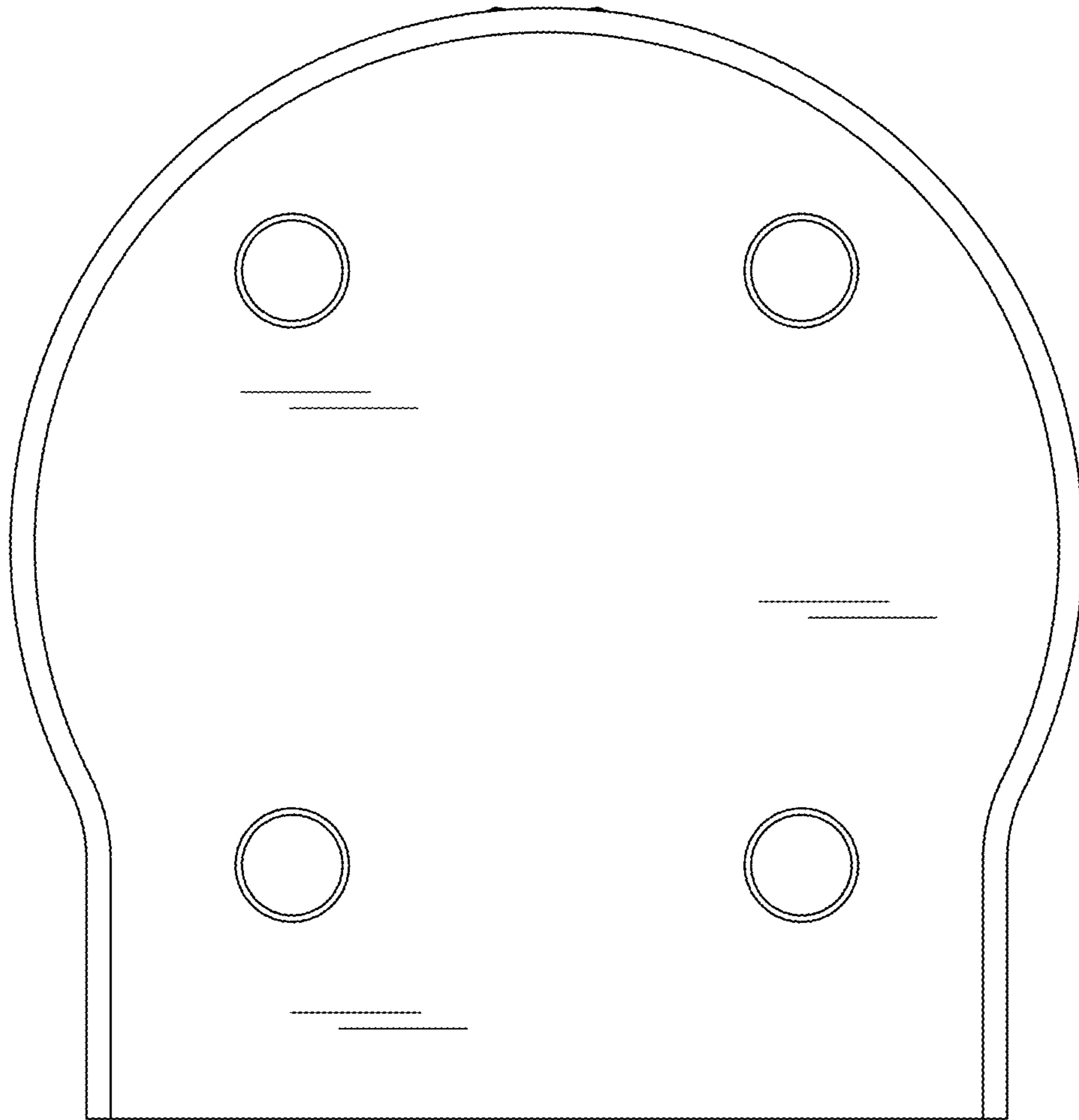


FIG. 7