



US00D818024S

(12) **United States Design Patent** (10) **Patent No.:** **US D818,024 S**  
**Chen** (45) **Date of Patent:** **\*\* May 15, 2018**

(54) **PANORAMIC CAMERA**  
(71) Applicant: **Zhihao Chen**, Irvine, CA (US)  
(72) Inventor: **Zhihao Chen**, Irvine, CA (US)  
(\*\*) Term: **15 Years**  
(21) Appl. No.: **29/569,732**  
(22) Filed: **Jun. 30, 2016**  
(51) **LOC (11) Cl.** ..... **16-01**  
(52) **U.S. Cl.**  
USPC ..... **D16/202**  
(58) **Field of Classification Search**  
USPC ..... D14/124, 125, 126, 129, 133, 314, 317,  
D14/336, 348-351, 356, 420; D16/200,  
D16/201, 202, 203, 205-221, 225, 232,  
D16/235  
CPC ..... G03B 15/03; G03B 17/04; G03B 17/56;  
G03B 19/04; H04N 5/2251-5/2254  
See application file for complete search history.

8,138,942 B2 \* 3/2012 Otsuka ..... G08C 17/02  
340/815.78  
D664,178 S \* 7/2012 Hinkel ..... D16/203  
D671,157 S \* 11/2012 Richardson ..... D16/202  
D700,232 S \* 2/2014 Ramsay ..... D16/207  
D733,208 S \* 6/2015 Tzarnotzky ..... D16/207  
D734,380 S \* 7/2015 Tzarnotzky ..... D16/207  
9,152,019 B2 \* 10/2015 Kintner ..... G03B 17/561  
D742,955 S \* 11/2015 Kozko ..... D16/207  
D745,076 S \* 12/2015 Pfeil ..... D16/207  
D768,751 S \* 10/2016 Sarwari ..... D16/219  
D785,070 S \* 4/2017 Mistry ..... D16/207  
2016/0212409 A1 \* 7/2016 Cole ..... H04N 13/0022

**OTHER PUBLICATIONS**

Samsung Gear 360, posted at Szbuzz.com, posting date Feb. 22, 2016, [online], [site visited Mar. 2, 2017]. Available from Internet, <URL: <http://www.szbuzz.com/2016/02/22/samsunggear360panoramiccamerareleasesroundasaball/>>.\*

\* cited by examiner

*Primary Examiner* — Susan E Krakower  
*Assistant Examiner* — L. A. Grabenstetter

(56) **References Cited**

**U.S. PATENT DOCUMENTS**

D253,786 S \* 12/1979 Montague ..... 273/454  
D262,222 S \* 12/1981 Vernon, Jr. .... D21/324  
D331,060 S \* 11/1992 Emmons ..... D14/218  
D424,086 S \* 5/2000 Choi ..... D16/202  
D475,385 S \* 6/2003 Christianson ..... D16/202  
D493,479 S \* 7/2004 Yoshikawa ..... D16/202  
D496,676 S \* 9/2004 Yoshikawa ..... D16/202  
D505,439 S \* 5/2005 Liiv ..... D16/202  
6,947,059 B2 \* 9/2005 Pierce ..... H04N 5/23238  
345/629  
7,429,997 B2 \* 9/2008 Givon ..... G03B 35/00  
348/38  
7,463,280 B2 \* 12/2008 Steuart, III ..... G03B 35/08  
348/36  
D645,071 S \* 9/2011 Hinkel ..... D16/203

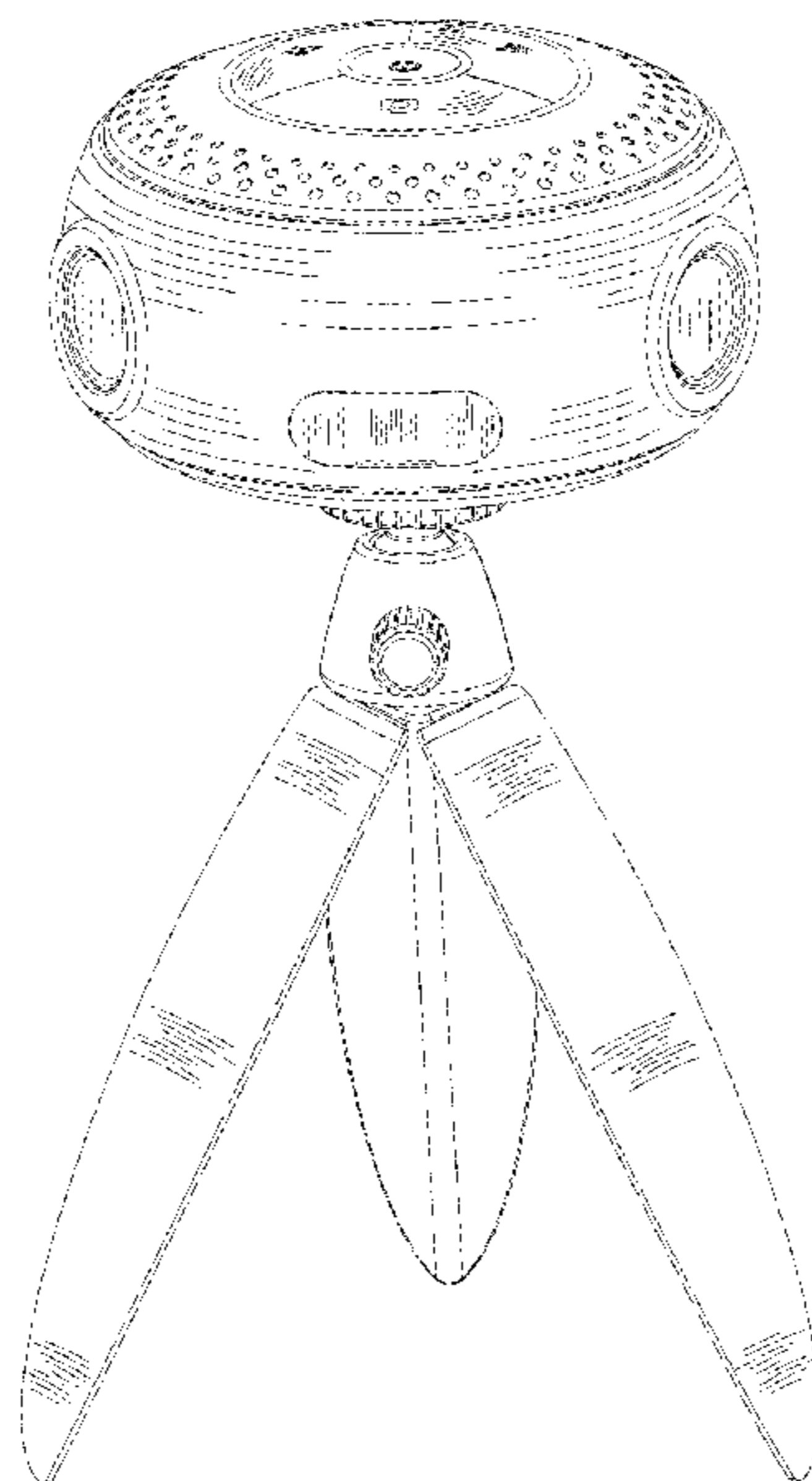
(57) **CLAIM**

The ornamental design for a panoramic camera, as shown and described.

**DESCRIPTION**

FIG. 1 is a front perspective view of a panoramic camera showing my new design;  
FIG. 2 is a front view thereof;  
FIG. 3 is a back view thereof;  
FIG. 4 is a top view thereof;  
FIG. 5 is bottom view thereof;  
FIG. 6 is a left side view thereof; and,  
FIG. 7 is a right side view thereof.

**1 Claim, 7 Drawing Sheets**



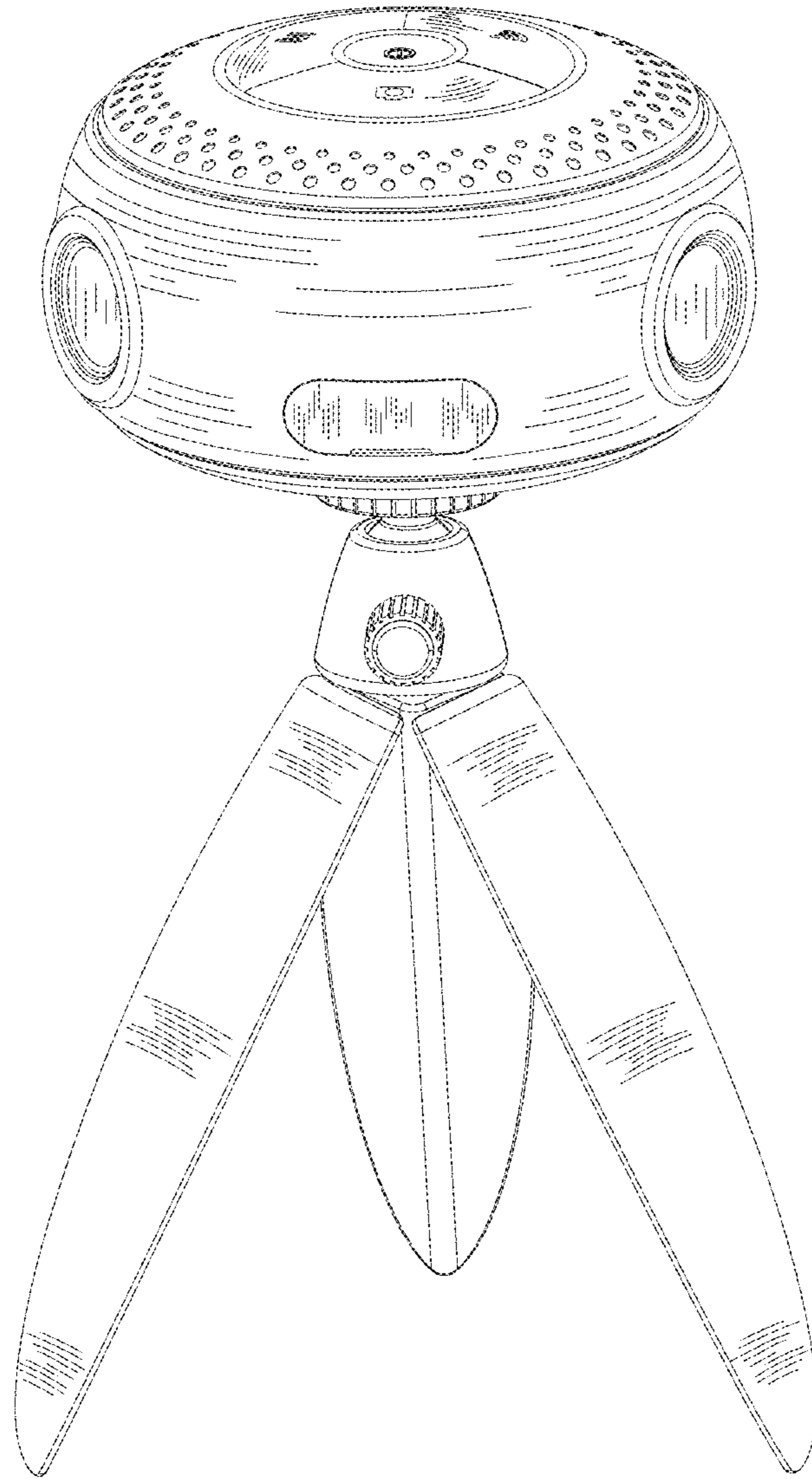


FIG. 1

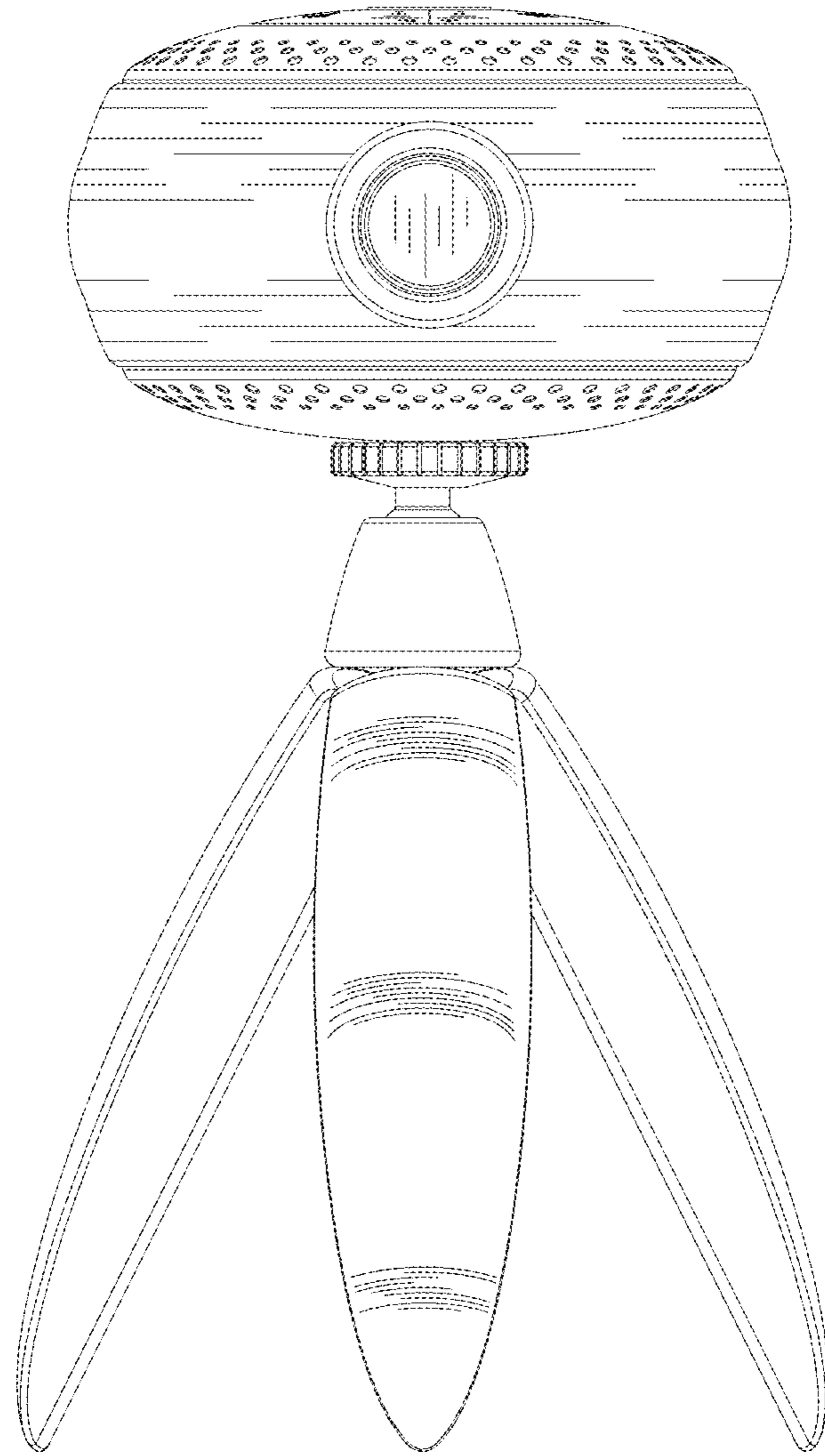


FIG.2

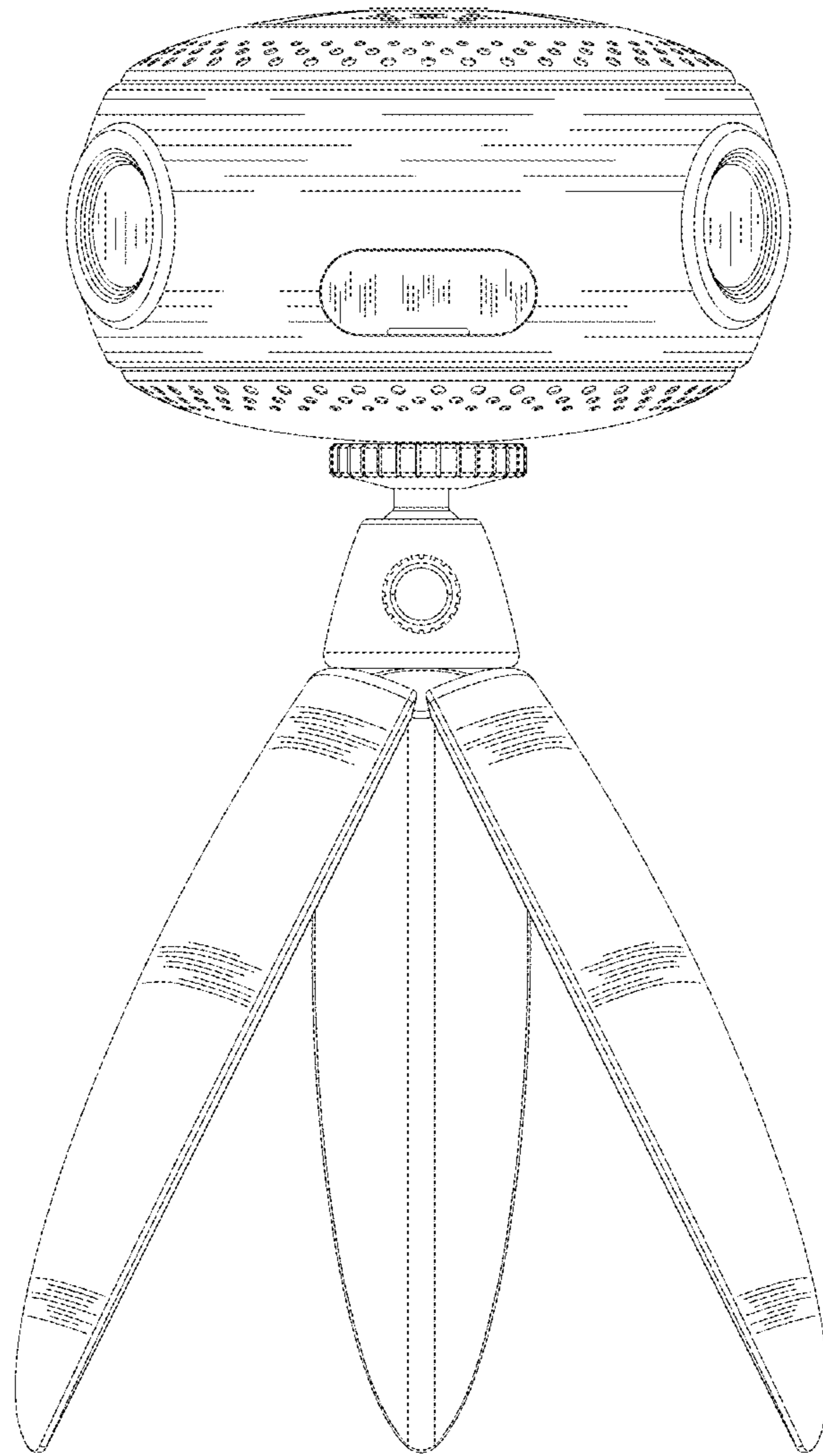


FIG. 3

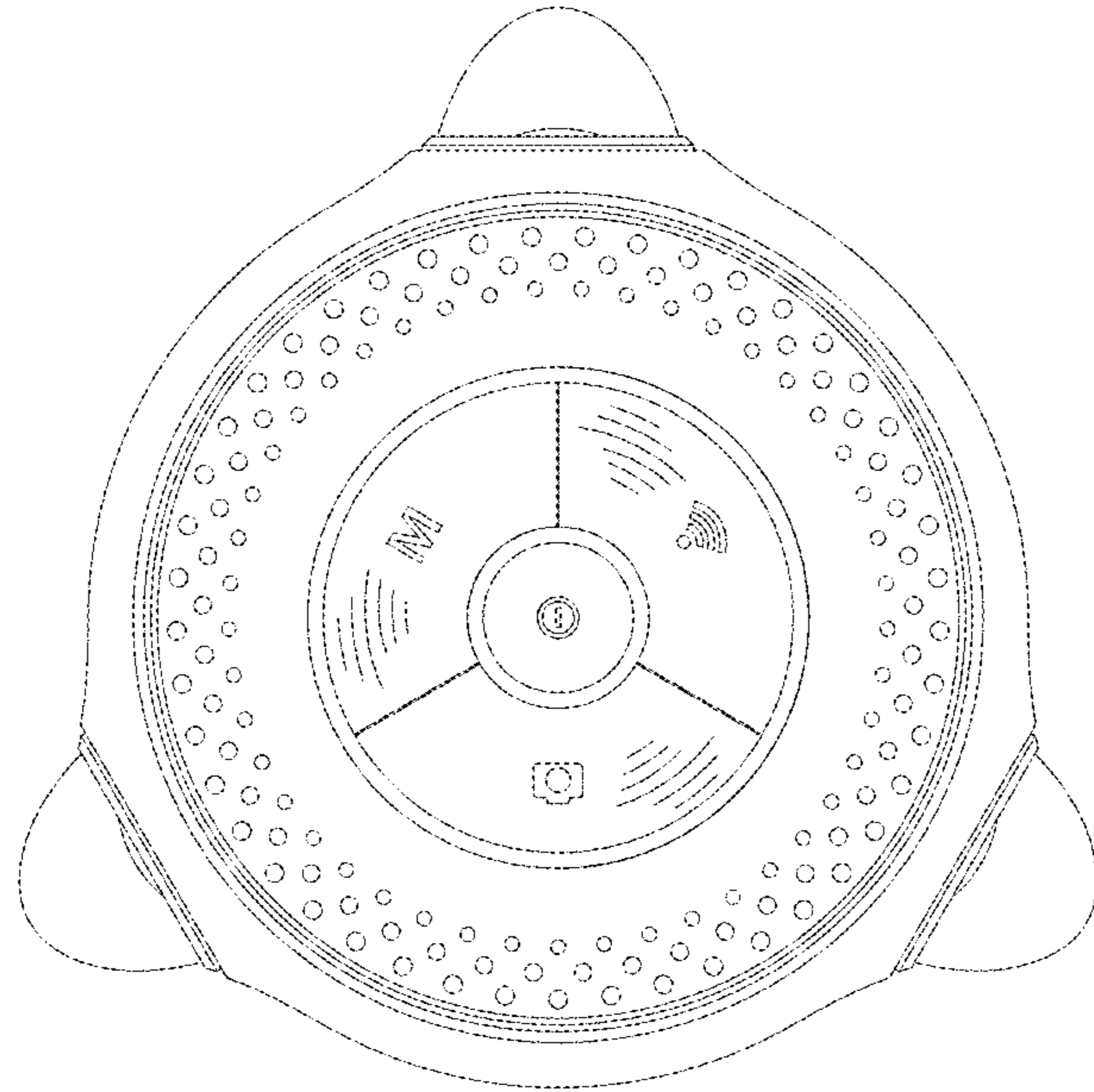


FIG.4

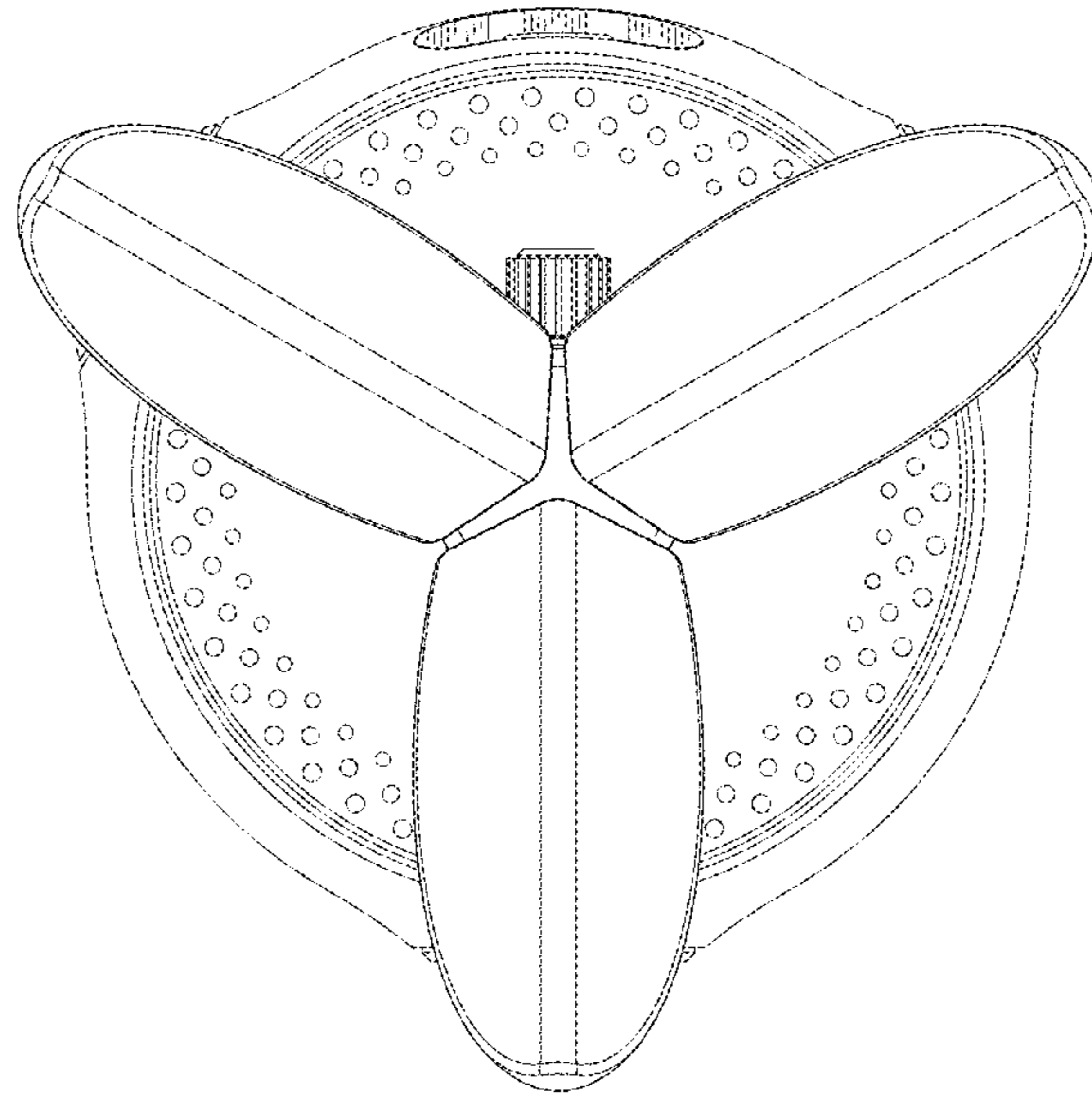


FIG. 5

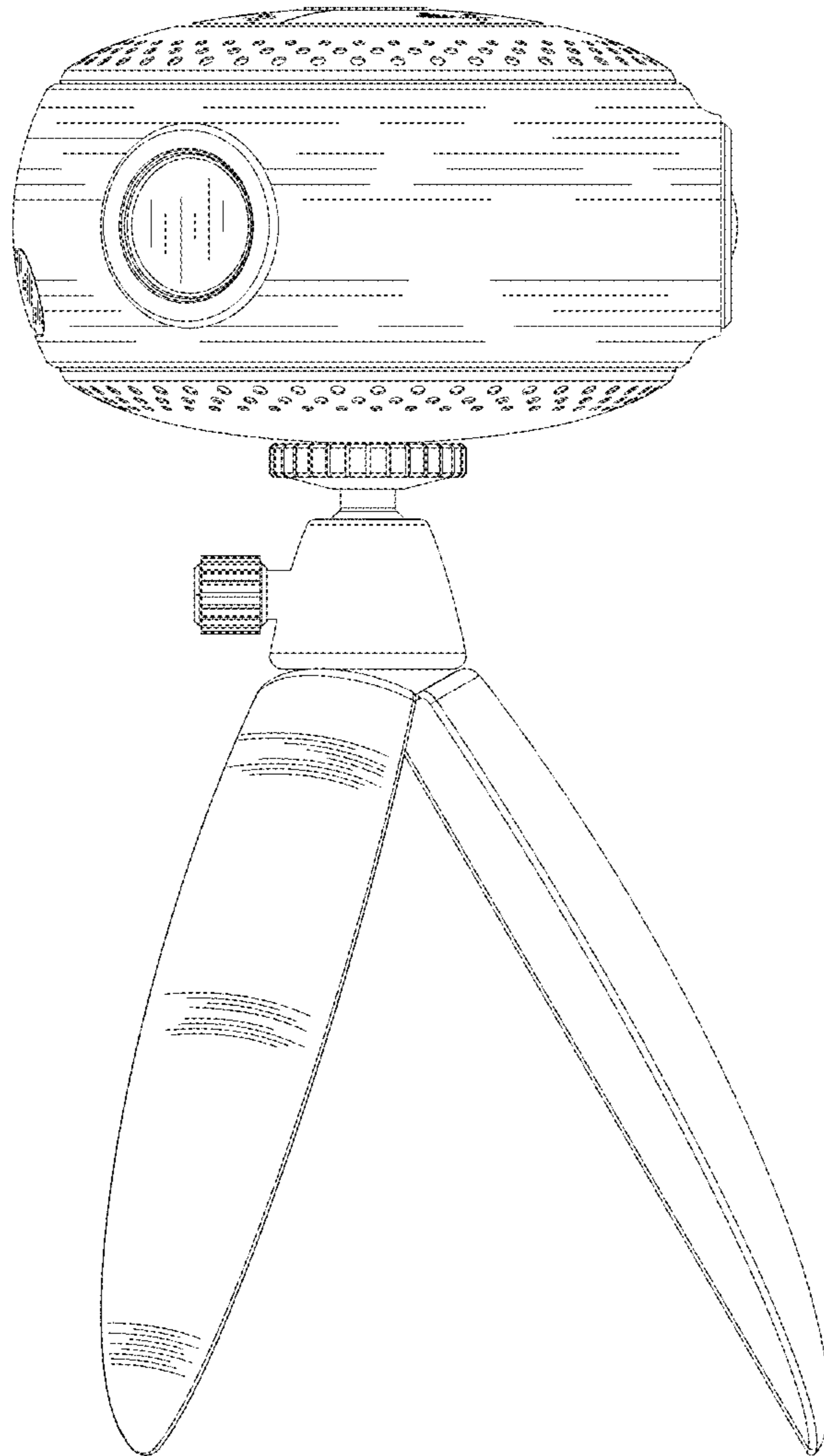


FIG. 6

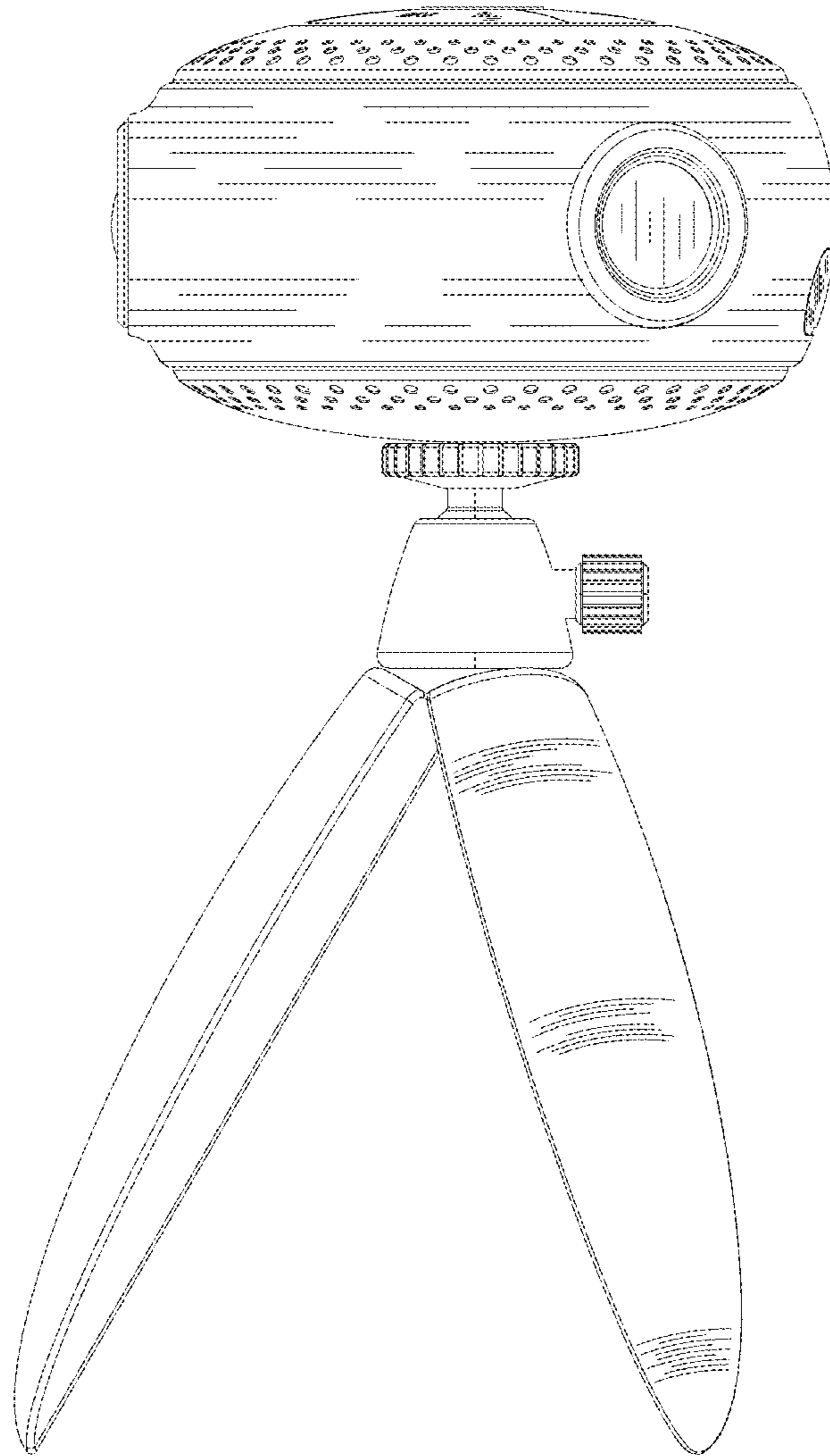


FIG. 7