



US00D818023S

(12) **United States Design Patent**
Nishiwaki

(10) **Patent No.:** **US D818,023 S**

(45) **Date of Patent:** **** May 15, 2018**

(54) **VIDEO CAMERA**

(71) Applicant: **Panasonic Intellectual Property Management Co., Ltd., Osaka (JP)**

(72) Inventor: **Kenji Nishiwaki, Hyogo (JP)**

(73) Assignee: **Panasonic Intellectual Property Management Co., Ltd., Osaka (JP)**

(**) Term: **15 Years**

(21) Appl. No.: **29/533,142**

(22) Filed: **Jul. 14, 2015**

(30) **Foreign Application Priority Data**

Feb. 9, 2015 (JP) 2015-002382

(51) **LOC (11) Cl.** **16-01**

(52) **U.S. Cl.**
USPC **D16/202**

(58) **Field of Classification Search**
USPC D16/200, 202-206, 208, 218, 219, 242;
348/164, 373-376; 396/529-532, 535,
396/539-541

CPC G03B 17/02; G03B 19/04; G03B 17/56;
G03B 17/04; G03B 15/03; G03B 17/14;
H04N 5/2251; H04N 5/2252; H04N
5/2253; H04N 5/2254; G02B 7/02; G02B
7/04; G02B 7/14

See application file for complete search history.

(56) **References Cited**

U.S. PATENT DOCUMENTS

D426,248 S * 6/2000 Sumita D16/202
D433,693 S * 11/2000 Kobayashi D16/202
D469,792 S * 2/2003 Kawashima D16/134
D579,038 S * 10/2008 Mutz D16/202
D589,547 S * 3/2009 Yamada D16/202
D598,941 S * 8/2009 Tanifuji D16/202

D612,881 S * 3/2010 Narita D16/202
D622,300 S * 8/2010 Endo D16/202
8,023,033 B2 * 9/2011 Kirihara G03B 13/02
348/333.01
D657,409 S * 4/2012 Miyashita D16/203
D675,240 S * 1/2013 Narita D16/202
D693,871 S * 11/2013 Tanifuji D16/202
D697,961 S * 1/2014 Tanifuji D16/202

FOREIGN PATENT DOCUMENTS

JP D1522872 5/2015
JP D1522873 5/2015
JP D1522874 5/2015
JP D1523936 5/2015

* cited by examiner

Primary Examiner — Philip S Hyder

Assistant Examiner — Ramzi Almatrahi

(74) *Attorney, Agent, or Firm* — Panasonic IP Management; Kerry S. Culpepper

(57) **CLAIM**

I claim the ornamental design for a video camera, as shown and described.

DESCRIPTION

FIG. 1 is a rear-right perspective view of a video camera of the present invention;

FIG. 2 is a rear-left perspective view thereof;

FIG. 3 is a front view thereof;

FIG. 4 is a rear view thereof;

FIG. 5 is a left side view thereof;

FIG. 6 is a right side view thereof;

FIG. 7 is a top view thereof; and,

FIG. 8 is a bottom view thereof.

The broken lines depict portions of the video camera in which the design is embodied that form no part of the claimed design.

1 Claim, 8 Drawing Sheets

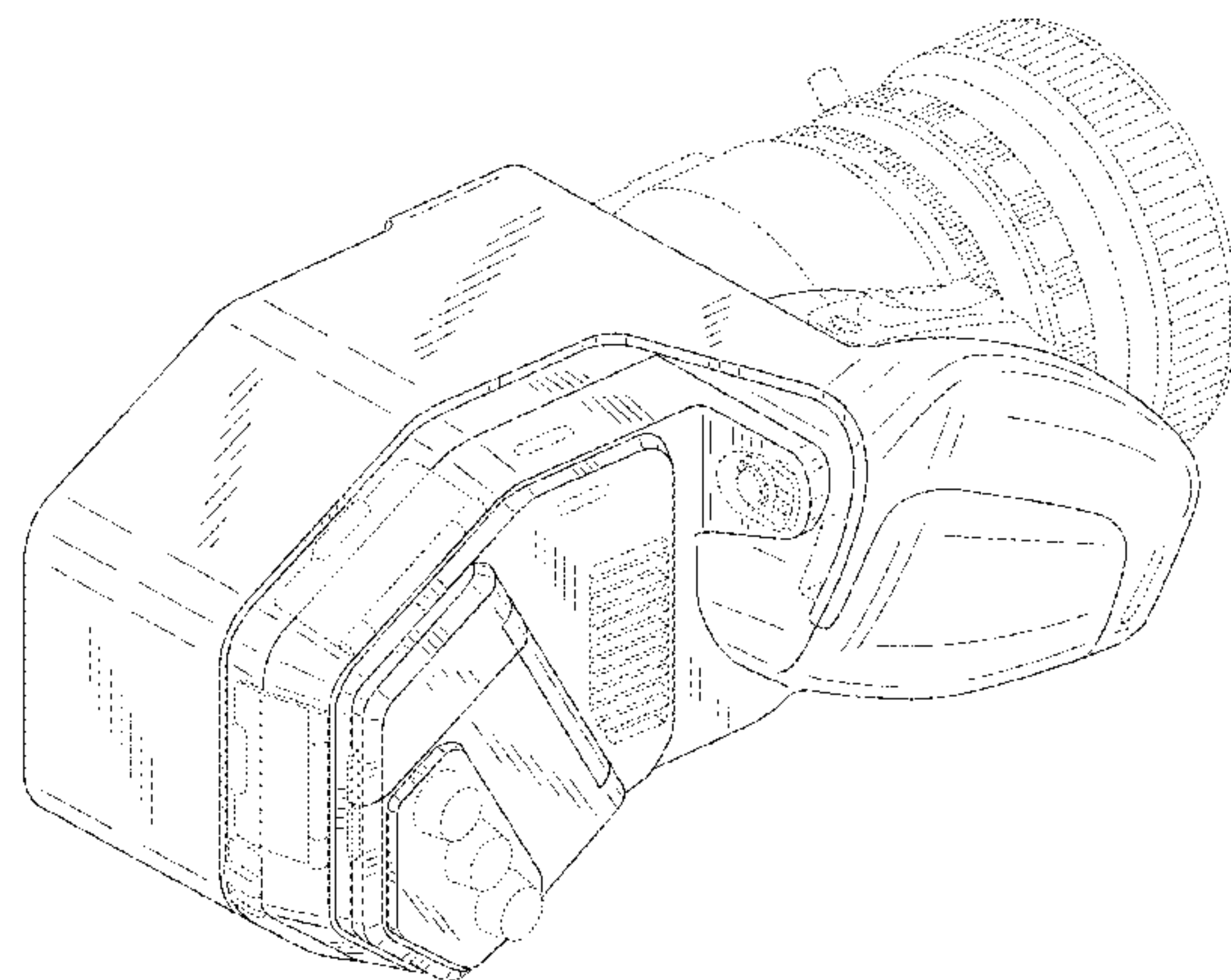
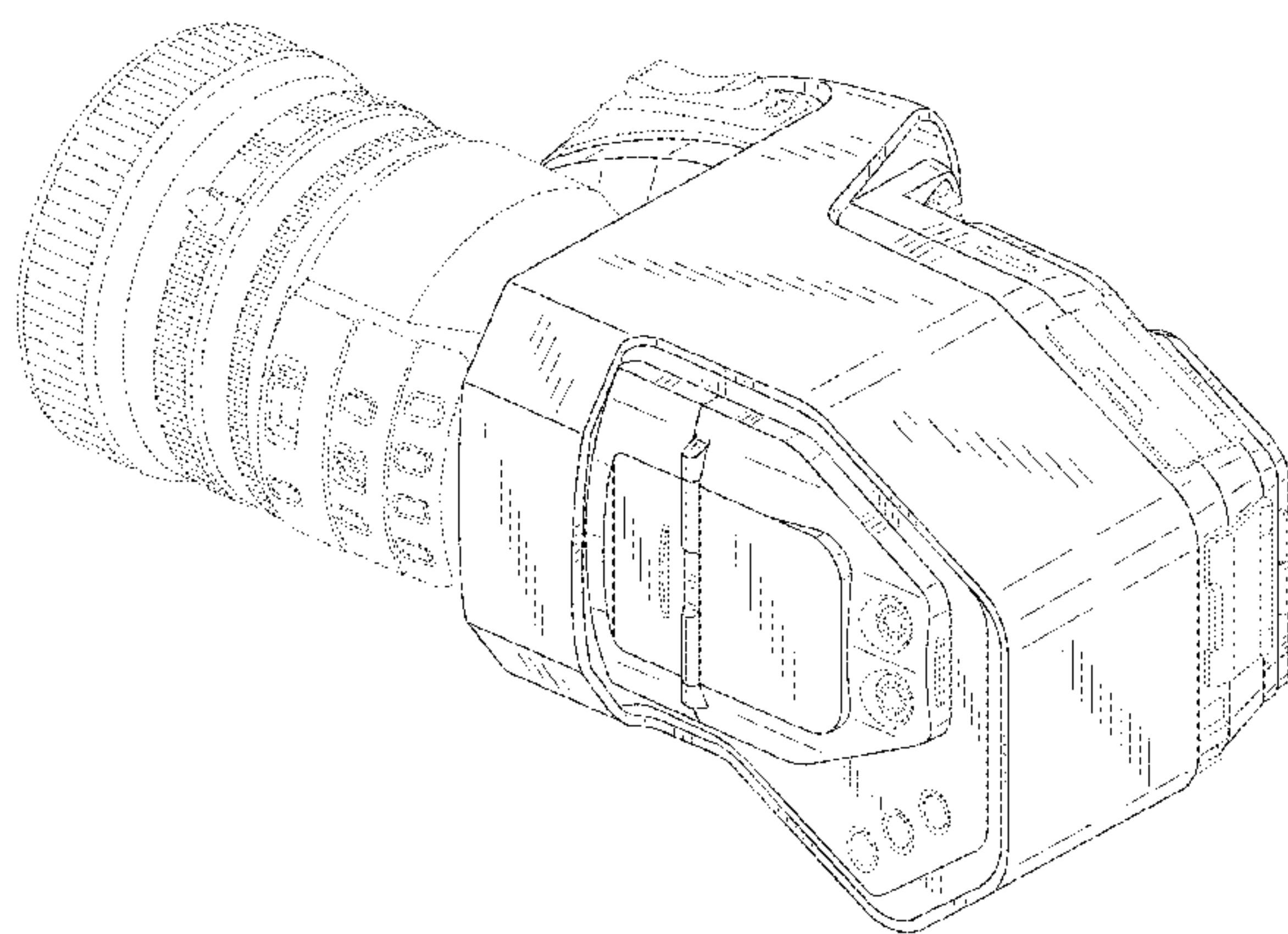


FIG. 1

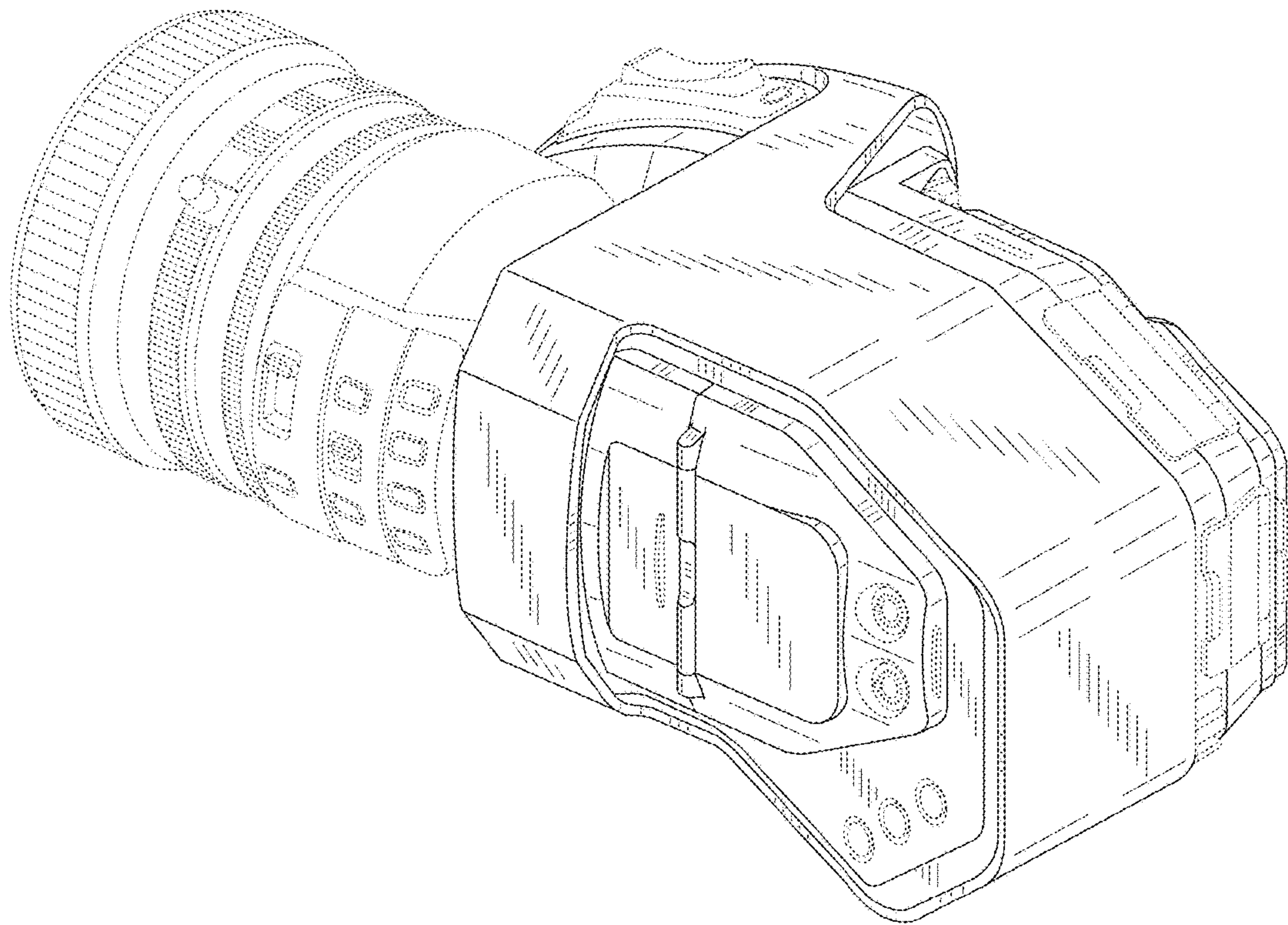


FIG. 2

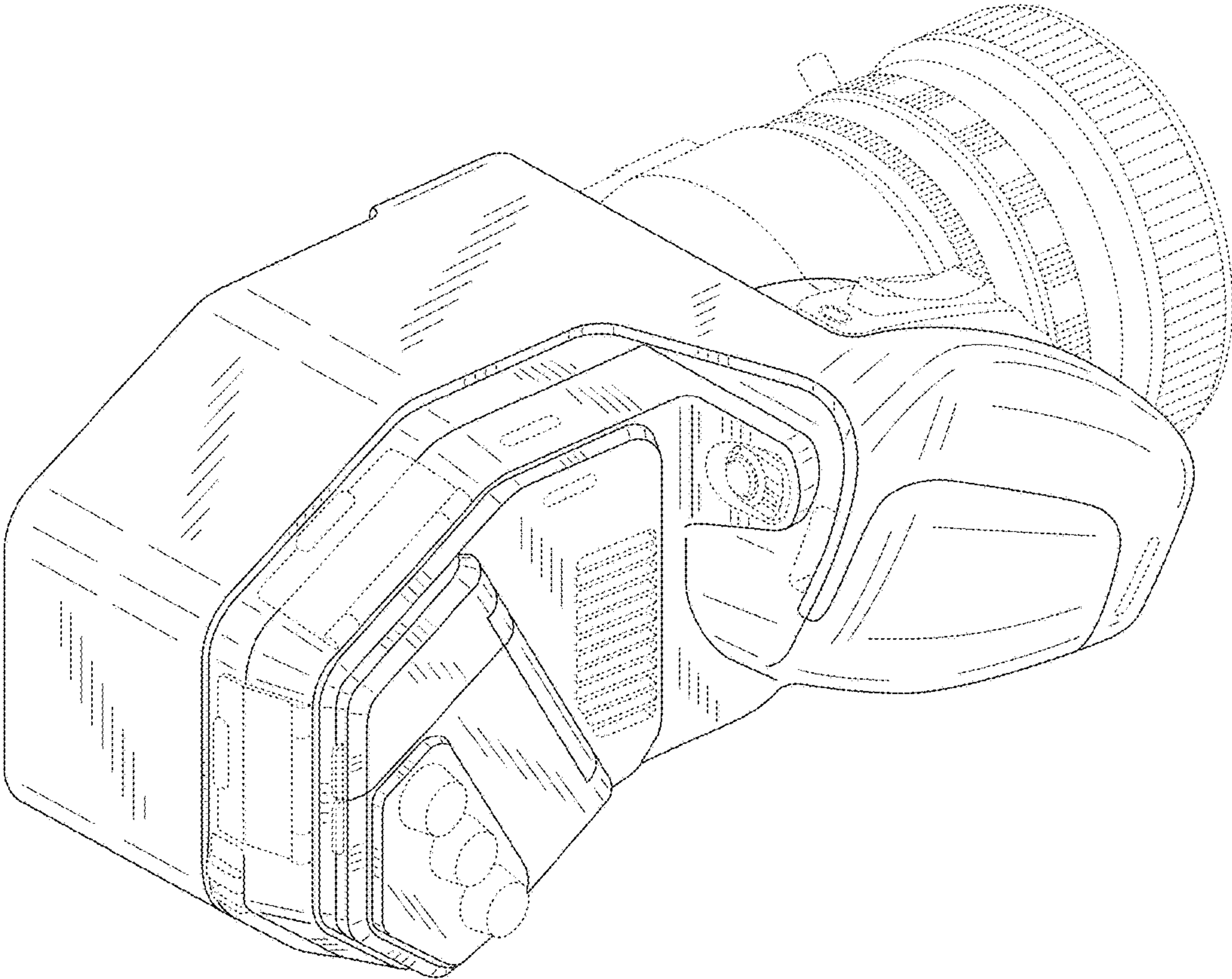


FIG. 3

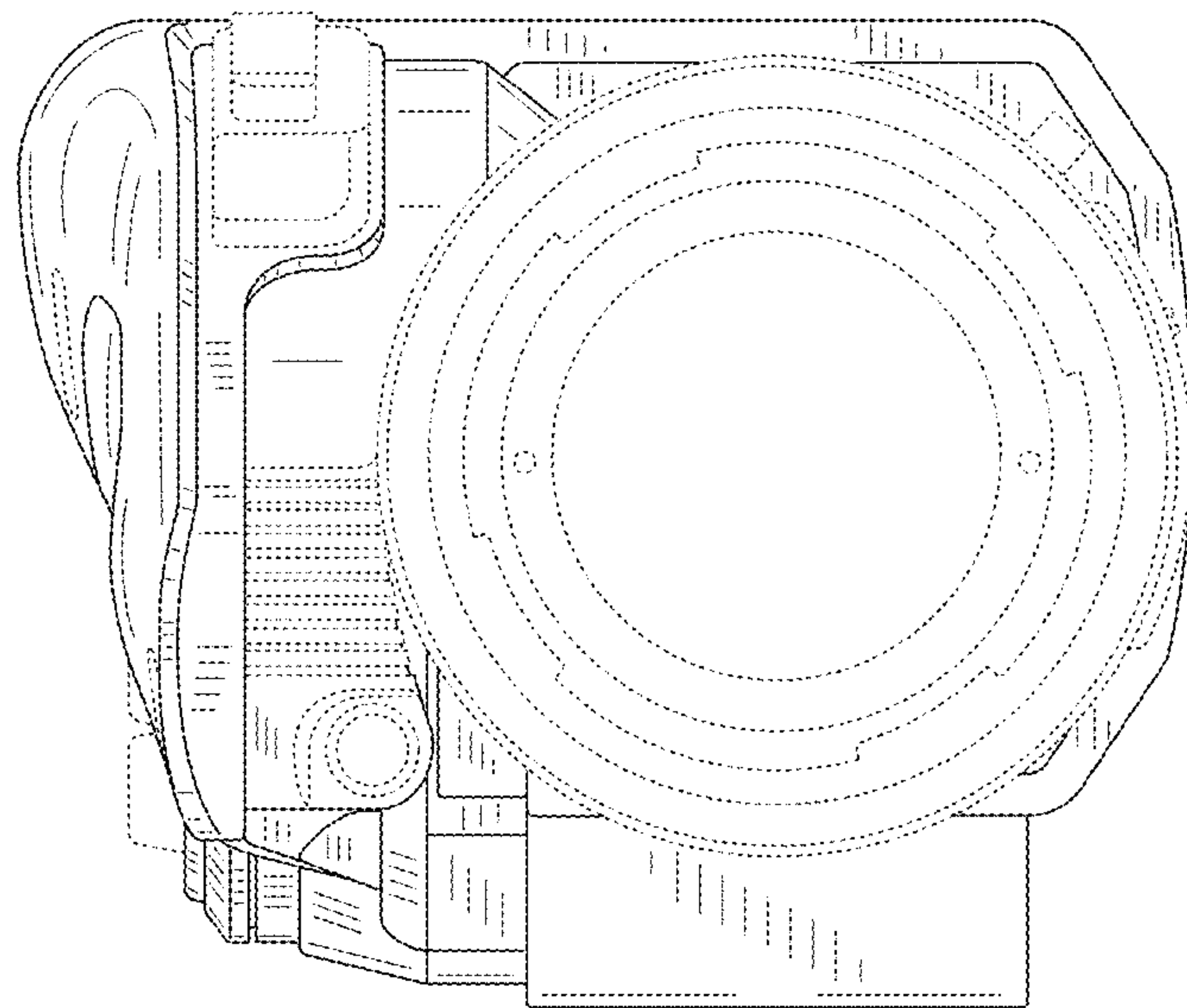


FIG. 4

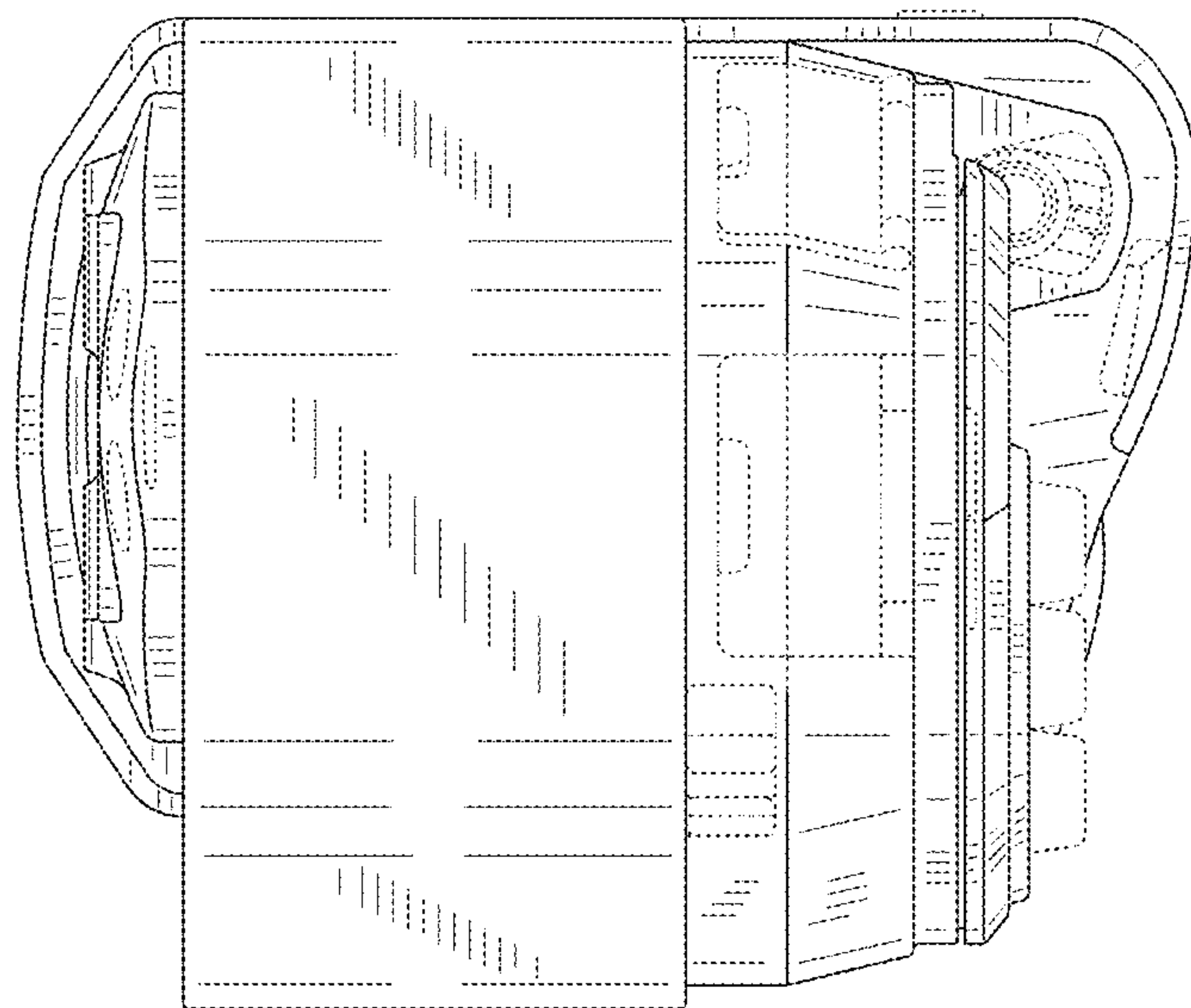


FIG. 5

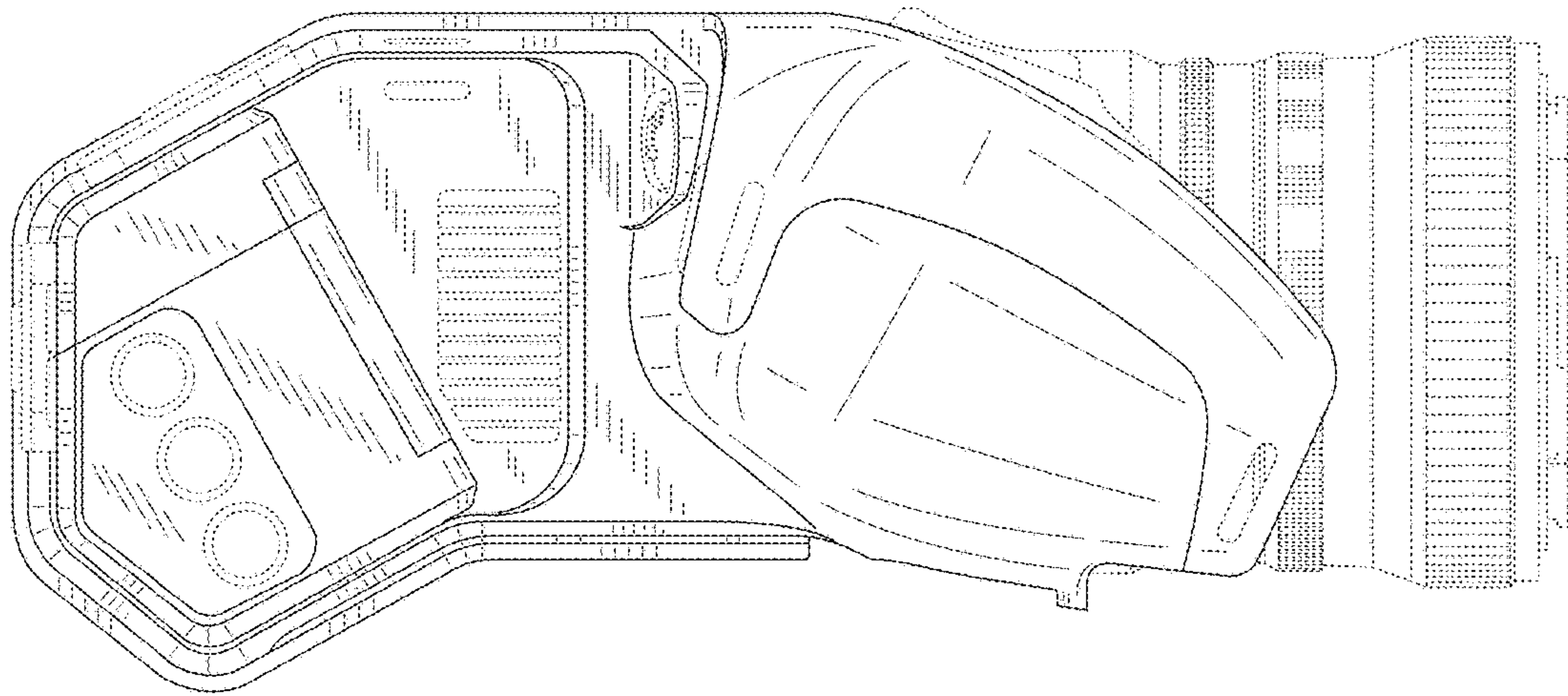


FIG. 6

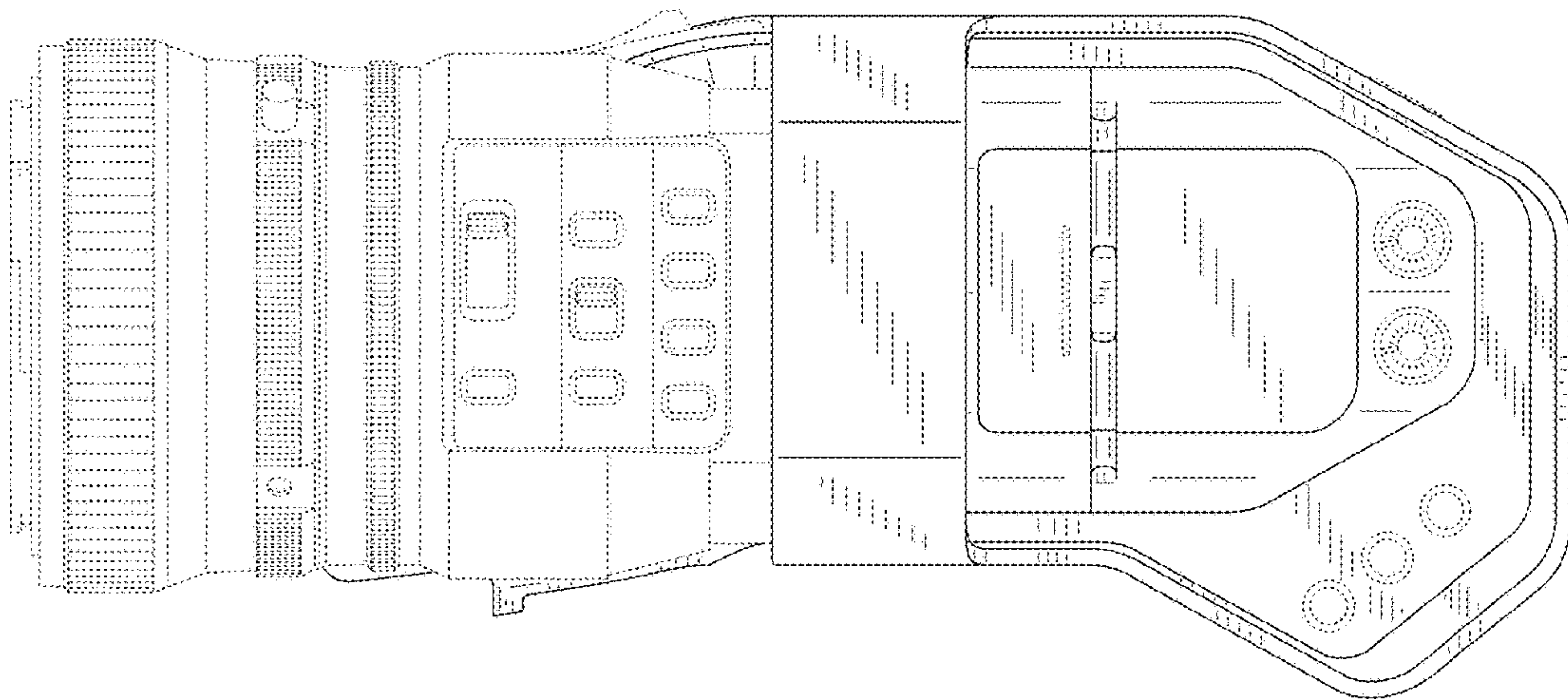


FIG. 7

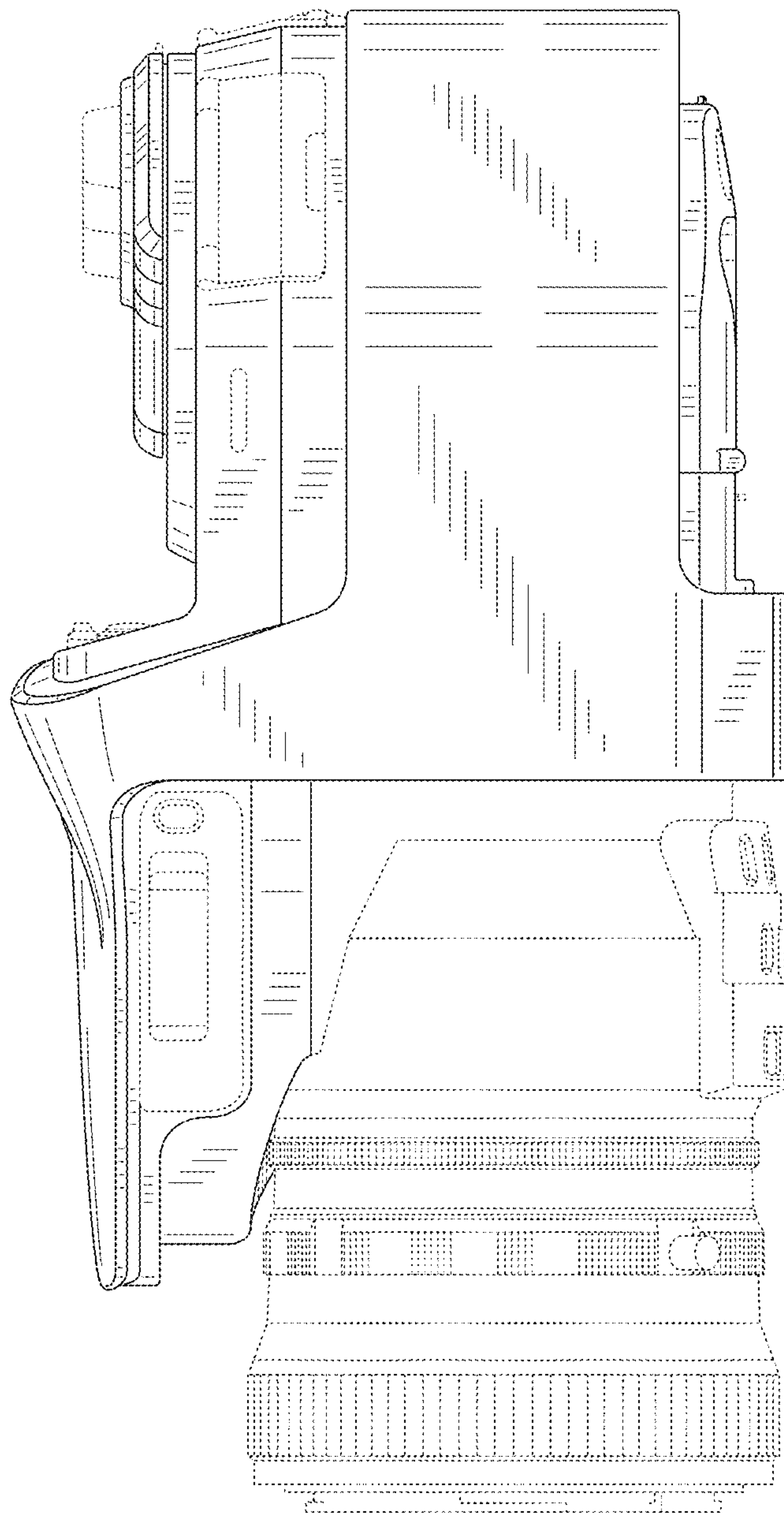


FIG. 8

