



US00D818021S

(12) **United States Design Patent** (10) **Patent No.:** **US D818,021 S**
Ai et al. (45) **Date of Patent:** **** May 15, 2018**

(54) **SMART GLASS**
(71) Applicant: **VisionerTech Limited**, Shenzhen (CN)
(72) Inventors: **Tao Ai**, Shenzhen (CN); **Jianhong Liang**, Shenzhen (CN); **Hong Guo**, Shenzhen (CN)
(73) Assignee: **VISIONERTECH LIMITED**, Shenzhen (CN)

D776,748 S * 1/2017 Linrothe D16/301
D778,909 S * 2/2017 Nokuo D14/372
D780,751 S * 3/2017 Park D14/372
D781,288 S * 3/2017 Park D14/372
9,730,010 B2 * 8/2017 Yu H04W 4/02
D800,115 S * 10/2017 Li D14/372
2011/0273662 A1 * 11/2011 Hwang G02B 27/0176
351/158

(**) Term: **15 Years**

(21) Appl. No.: **29/575,581**

(22) Filed: **Aug. 26, 2016**

(30) **Foreign Application Priority Data**

Jun. 13, 2016 (CN) 2016 3 0237169
(51) **LOC (11) Cl.** **16-06**
(52) **U.S. Cl.**
USPC **D16/100**
(58) **Field of Classification Search**
USPC D16/100, 301, 303, 315, 320, 321;
D14/372
CPC .. G06T 19/006; G02B 27/0176; G02B 27/017
See application file for complete search history.

(56) **References Cited**

U.S. PATENT DOCUMENTS

D325,590 S * 4/1992 Galy 2/13
D380,032 S * 6/1997 Kobayashi D14/372
D380,482 S * 7/1997 Shimasaki D16/100
D427,982 S * 7/2000 Ishii D14/372
D444,155 S * 6/2001 Morooka D14/496
D719,953 S * 12/2014 Nokuo D14/372
D732,028 S * 6/2015 Kim D14/372
D760,313 S * 6/2016 Ho D16/330

OTHER PUBLICATIONS

Samsung Gear VR, posted at amazon.com, posting date not given, [online], [site visited Oct. 27, 2017]. Available from Internet, URL: <https://www.amazon.com/Samsung-Gear-VR-International-Warranty/dp/B01L96KA4Y>.*
Smart Glass, posted at leiphone.com, posting date Oct. 28, 2015, [online], [site visited Oct. 27, 2017]. Available from Internet, URL: <https://www.leiphone.com/news/201510/RK62uakXjkR9De11.html>.*

(Continued)

Primary Examiner — George D. Kirschbaum
Assistant Examiner — Maria J Edwards
(74) *Attorney, Agent, or Firm* — Tim Tingkang Xia, Esq.; Locke Lord LLP

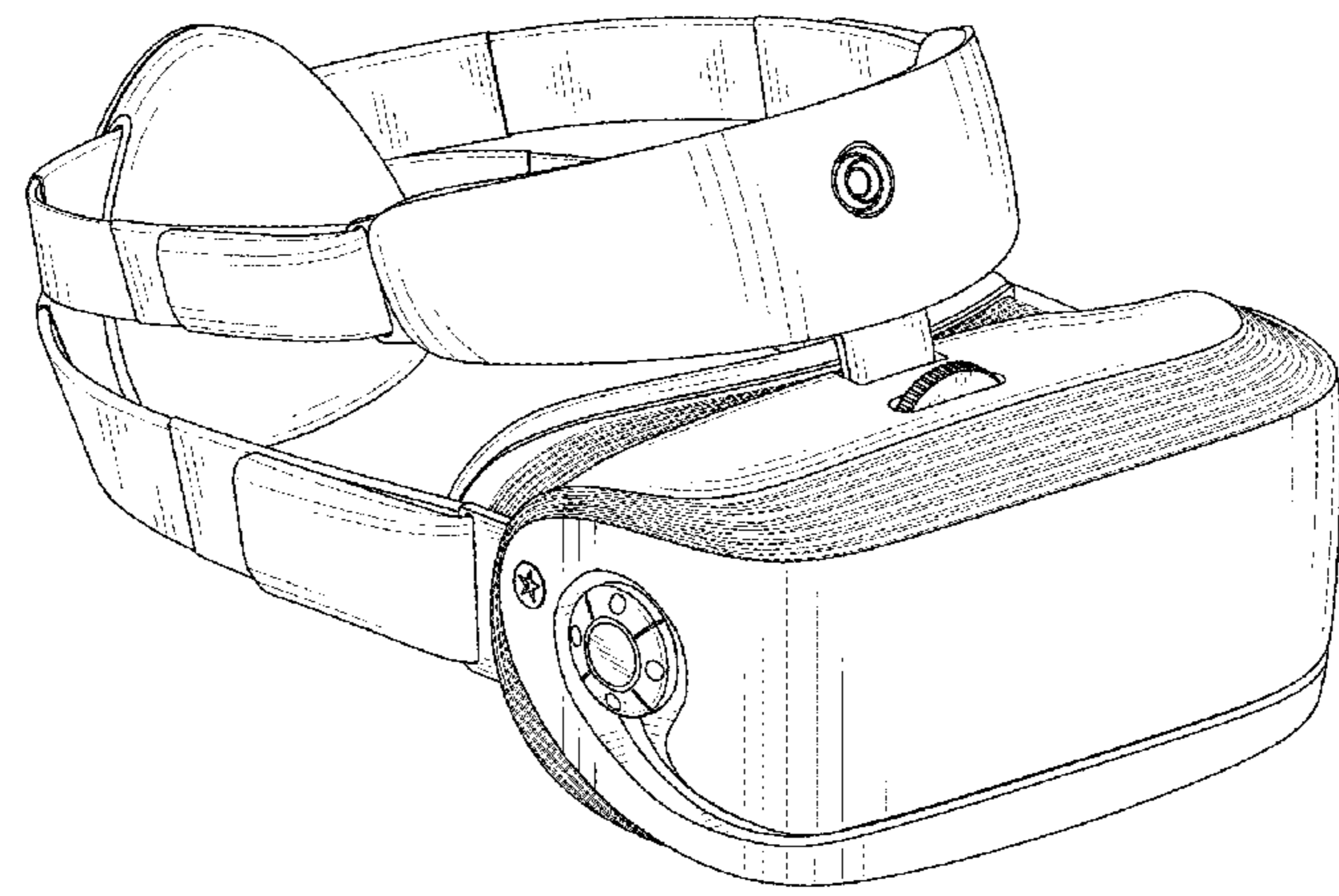
(57) **CLAIM**

The ornamental design for a smart glass, as shown and described.

DESCRIPTION

FIG. 1 is a perspective view of a smart glass; FIG. 2 is a front elevational view of the smart glass; FIG. 3 is a back elevational view of the smart glass; FIG. 4 is a left elevational view of the smart glass; FIG. 5 is a right elevational view of the smart glass; FIG. 6 is a top plan view of the smart glass; and, FIG. 7 is a bottom plan view of the smart glass. The broken lines illustrating portions of the smart glass form no part of the claimed design.

1 Claim, 7 Drawing Sheets



(56)

References Cited

OTHER PUBLICATIONS

Smart Glass front view, posted at wzaobao.com as found by tineye.com, posting date Jun. 1, 2016 as found by tineye.com, [online], [site visited Oct. 27, 2017]. Available from Internet, URL: <https://tineye.com/search/6e811d55a09c07f42de74f74d18410c280603d83/>.*

Smart Glass low side view, posted at 72byte.com as found by tineye.com, posting date May 21, 2016 as found by tineye.com, [online], [site visited Oct. 27, 2017]. Available from Internet, URL: <https://tineye.com/search/0e2086cd266dcf9eed6fdc7b0626f403c99220e4/>.*

Virtual Reality Headset, posted at newagetechproducts.com, posting date not given, [online], [site visited Oct. 27, 2017]. Available from Internet, URL: <http://www.newagetechproducts.com/product/sample-product-10/>.*

VMG-PROV 01, posted at asia.lastgadgetstanding.com, posting date Apr. 10, 2016, [online], [site visited Oct. 27, 2017]. Available from Internet, URL: <http://asia.lastgadgetstanding.com/2016asialgs/vmg-prov-01/>.*

VR Headset for Smartphones, posted at kogan.com, posting date not given, [online], [site visited Oct. 27, 2017]. Available from Internet, URL: <https://www.kogan.com/au/buy/virtual-reality-headset-smartphones/>.*

Zeiss VR One, posted at mobilefun.co.uk, posting date not given, [online], [site visited Oct. 27, 2017]. Available from Internet, URL: <https://www.mobilefun.co.uk/zeiss-vr-one-plus-universal-virtual-reality-headset-60323/>.*

* cited by examiner

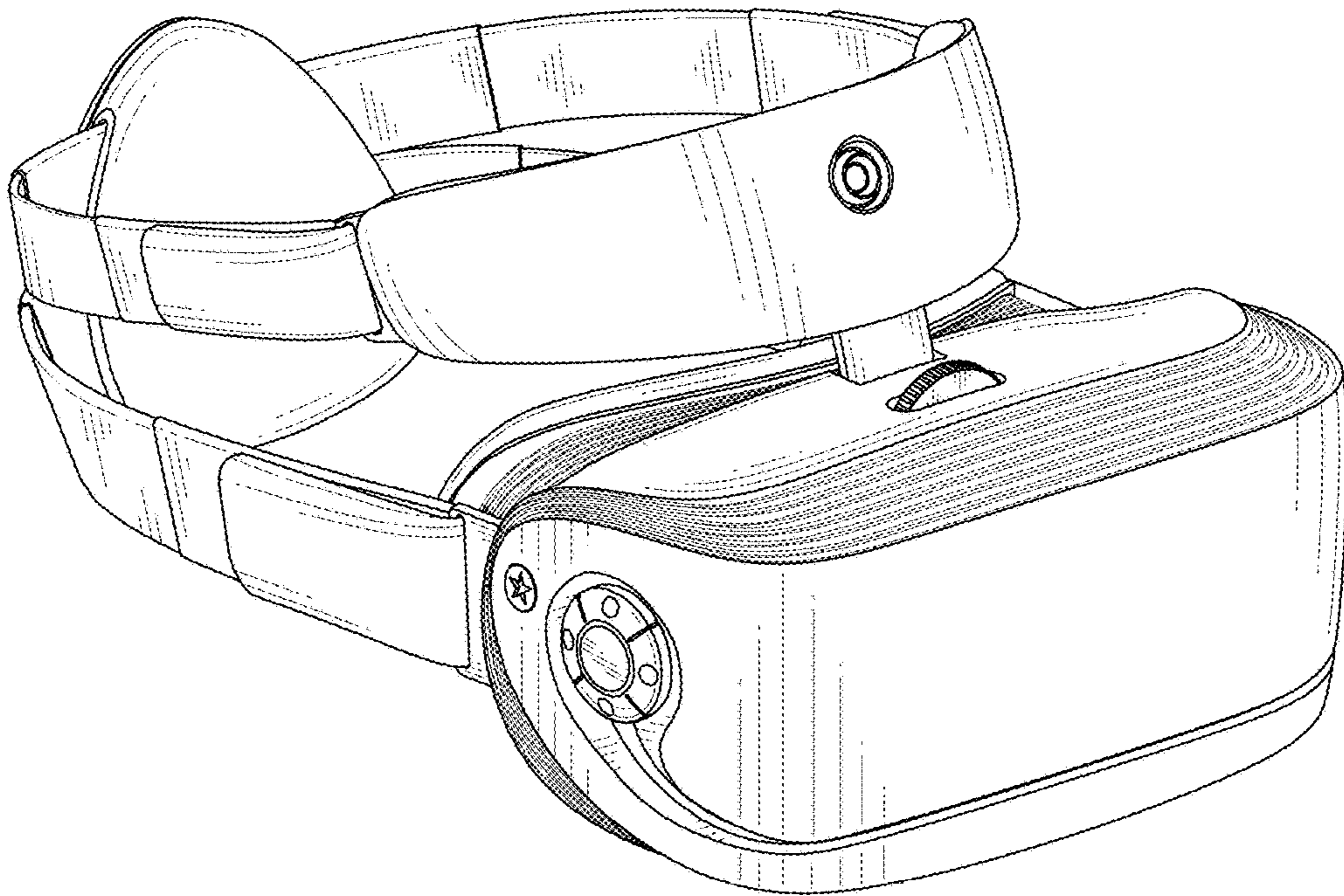


FIG. 1

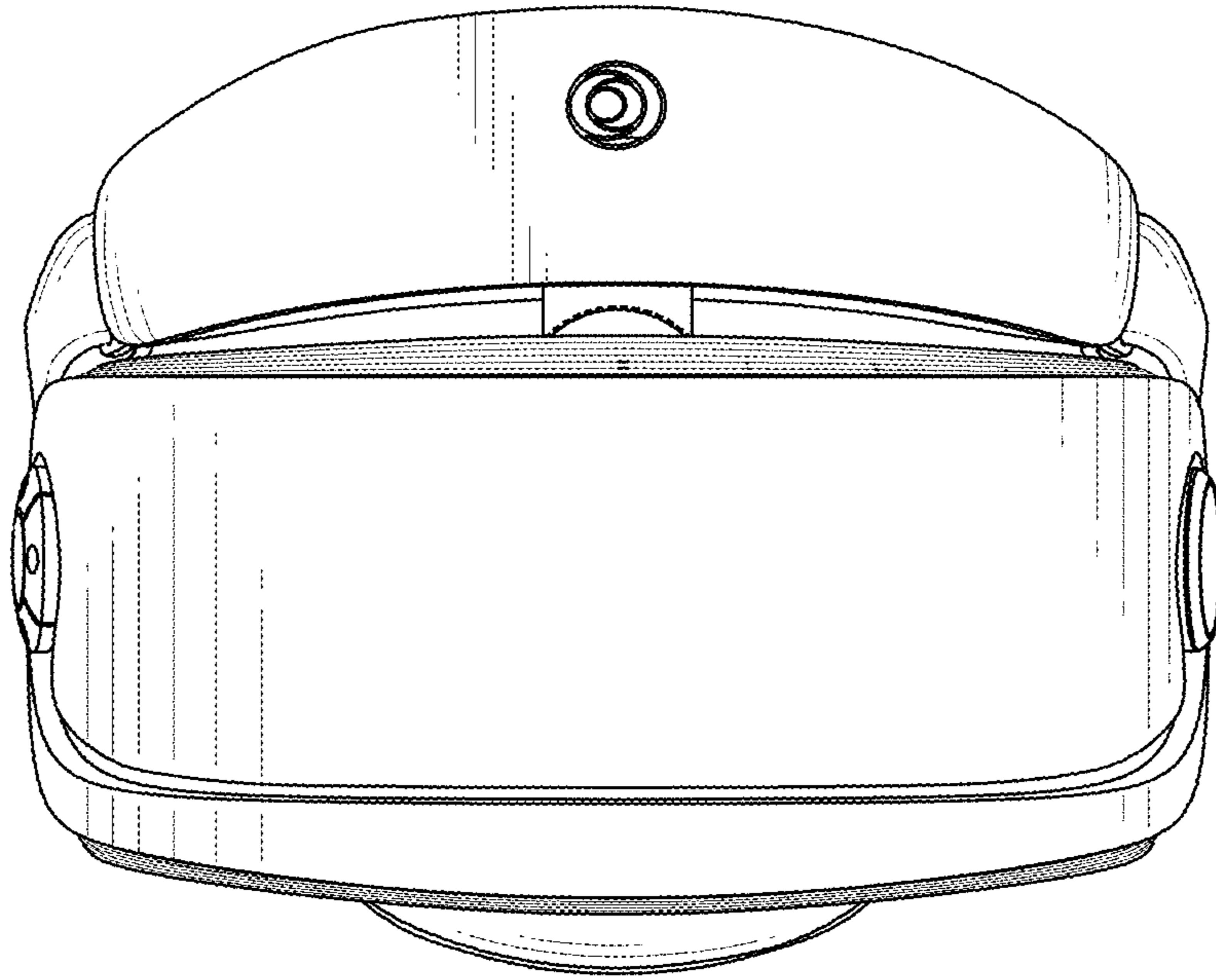


FIG. 2

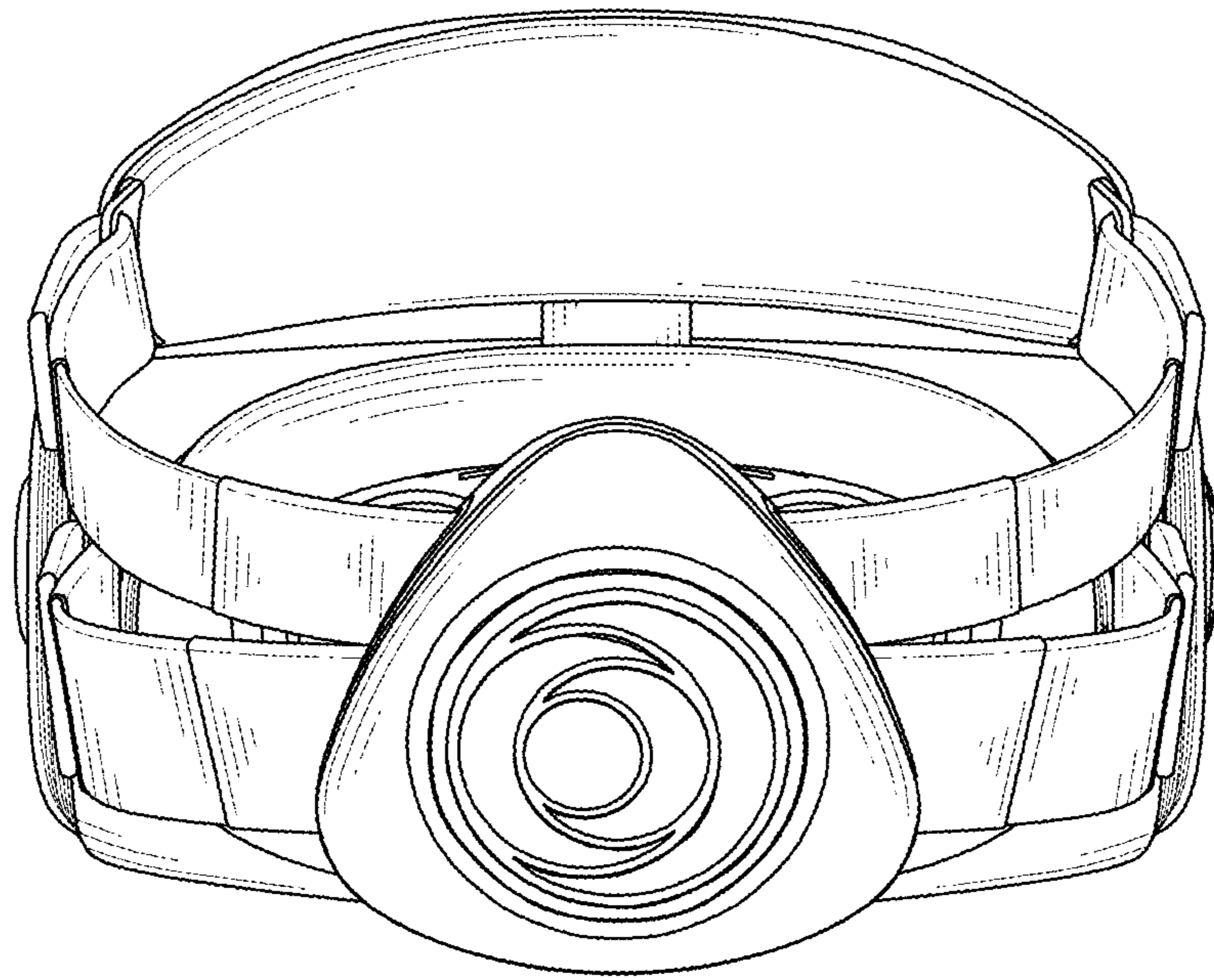


FIG. 3

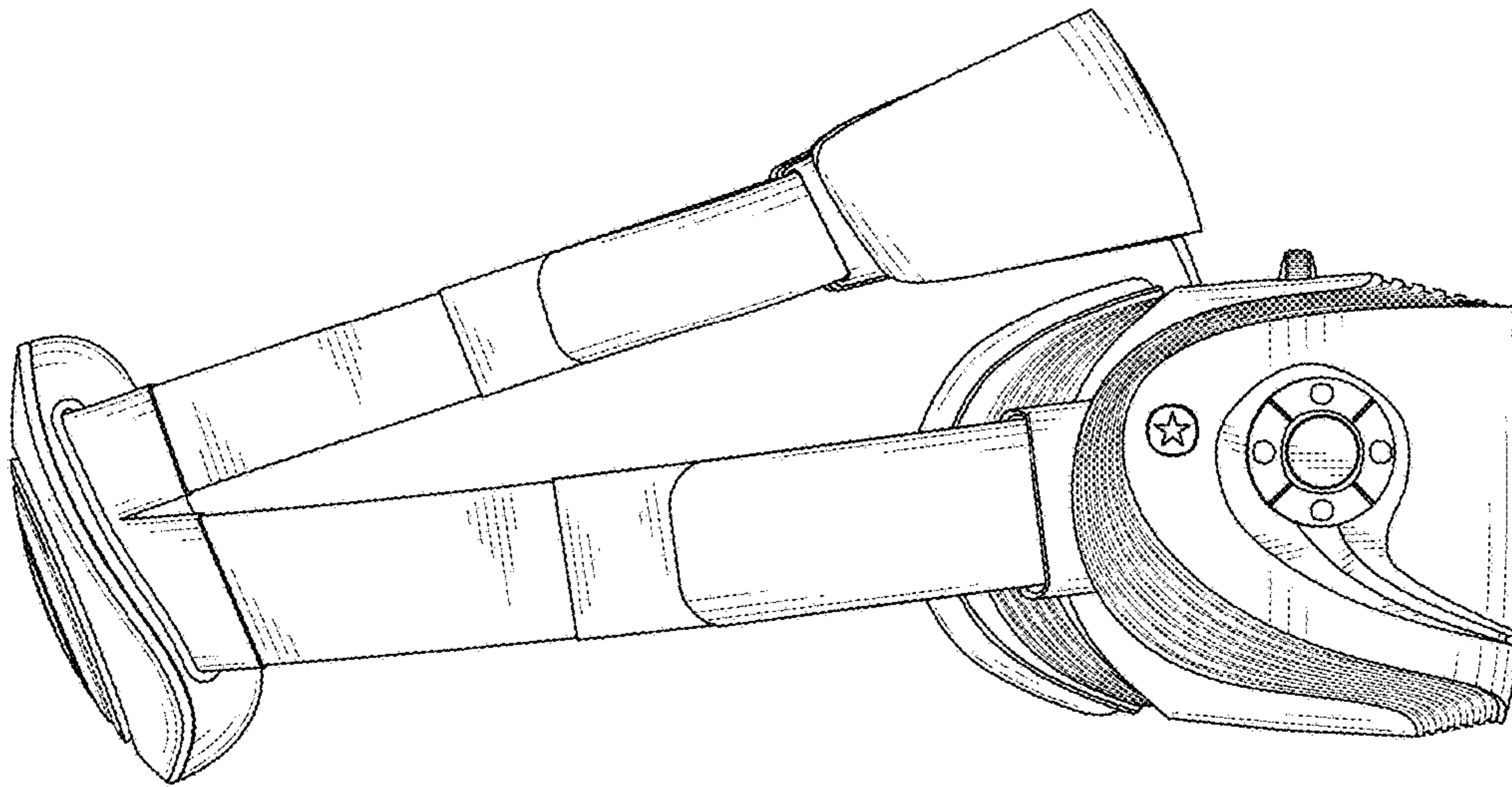


FIG. 4

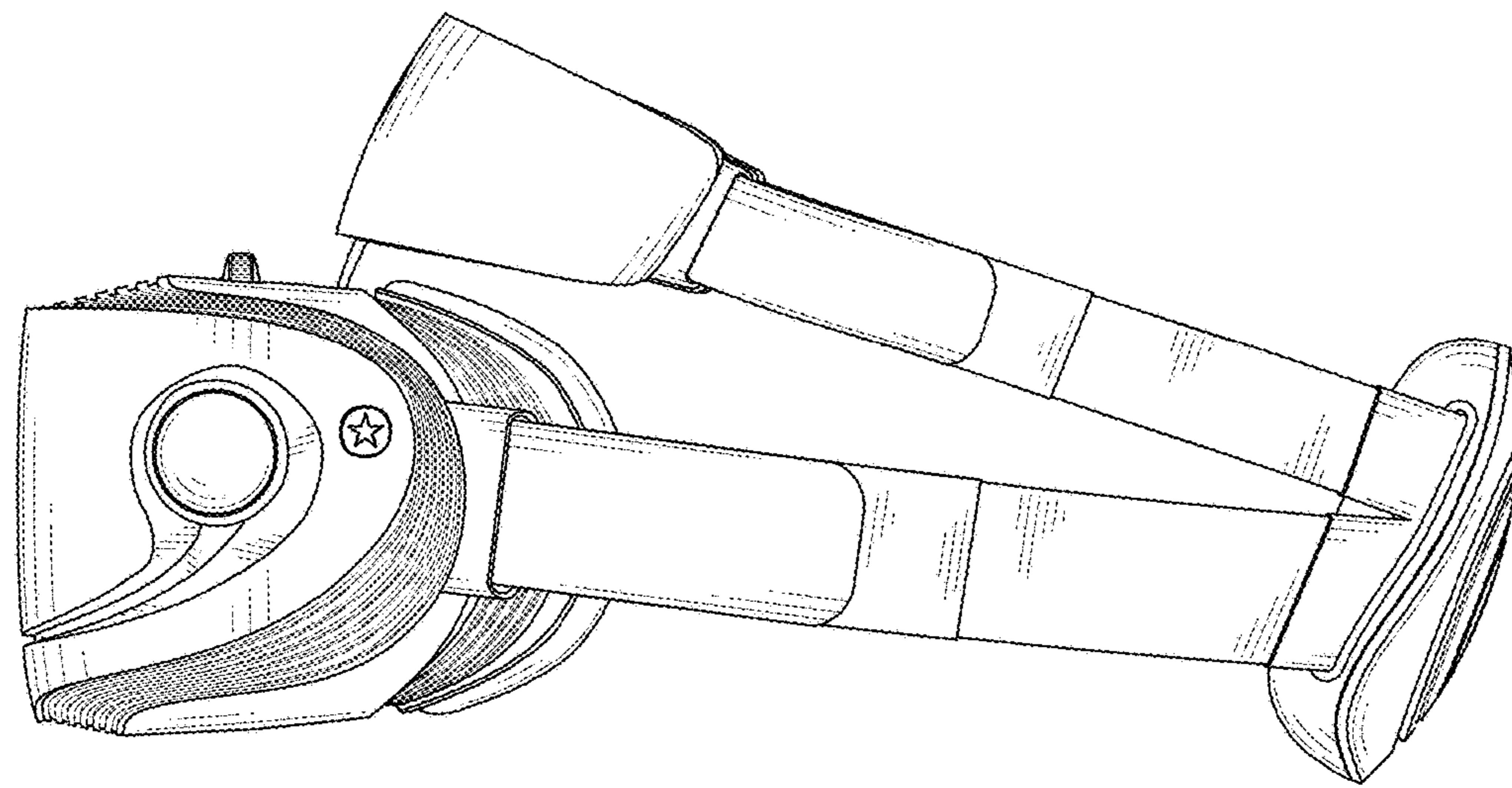


FIG. 5

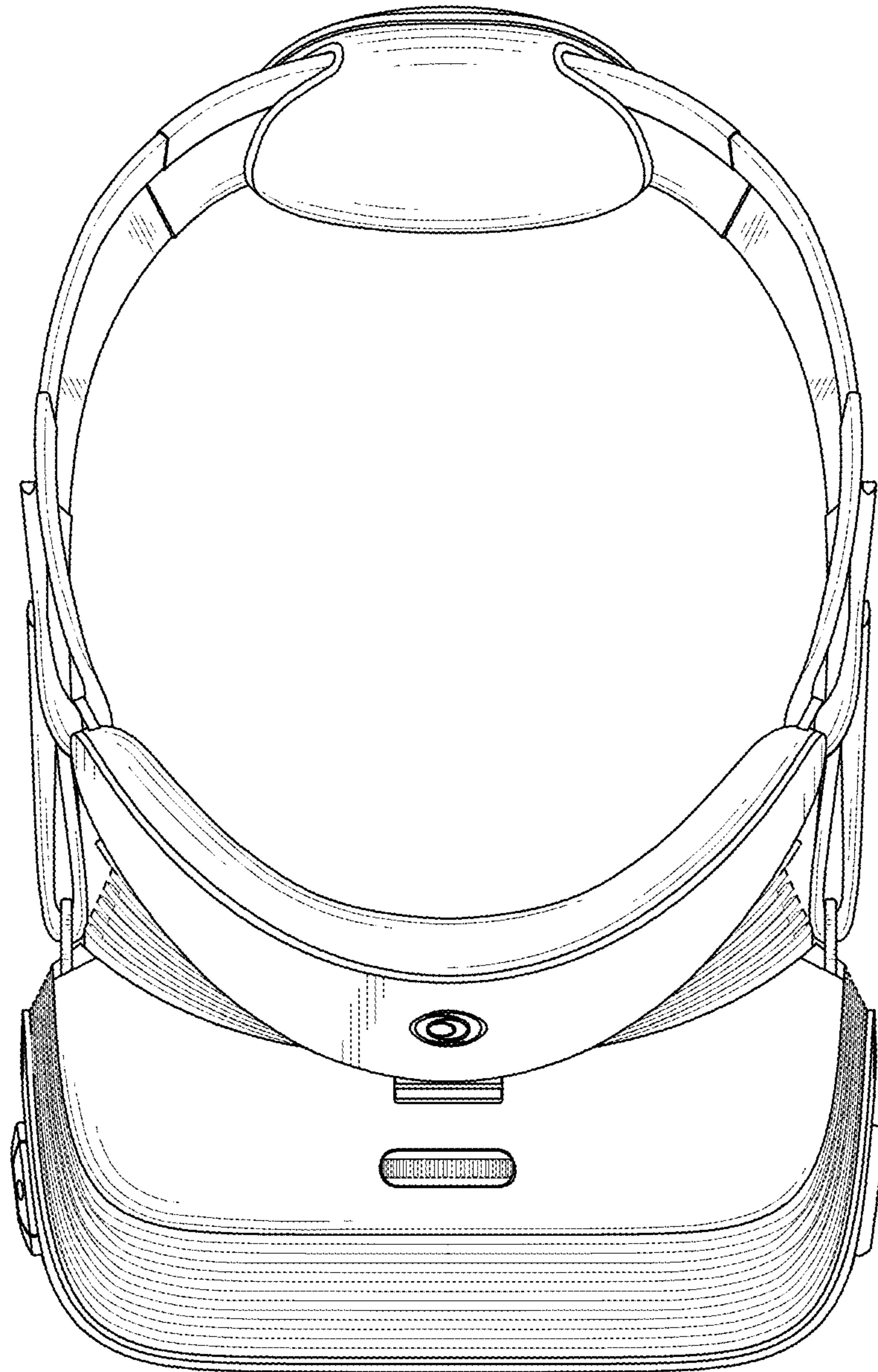


FIG. 6

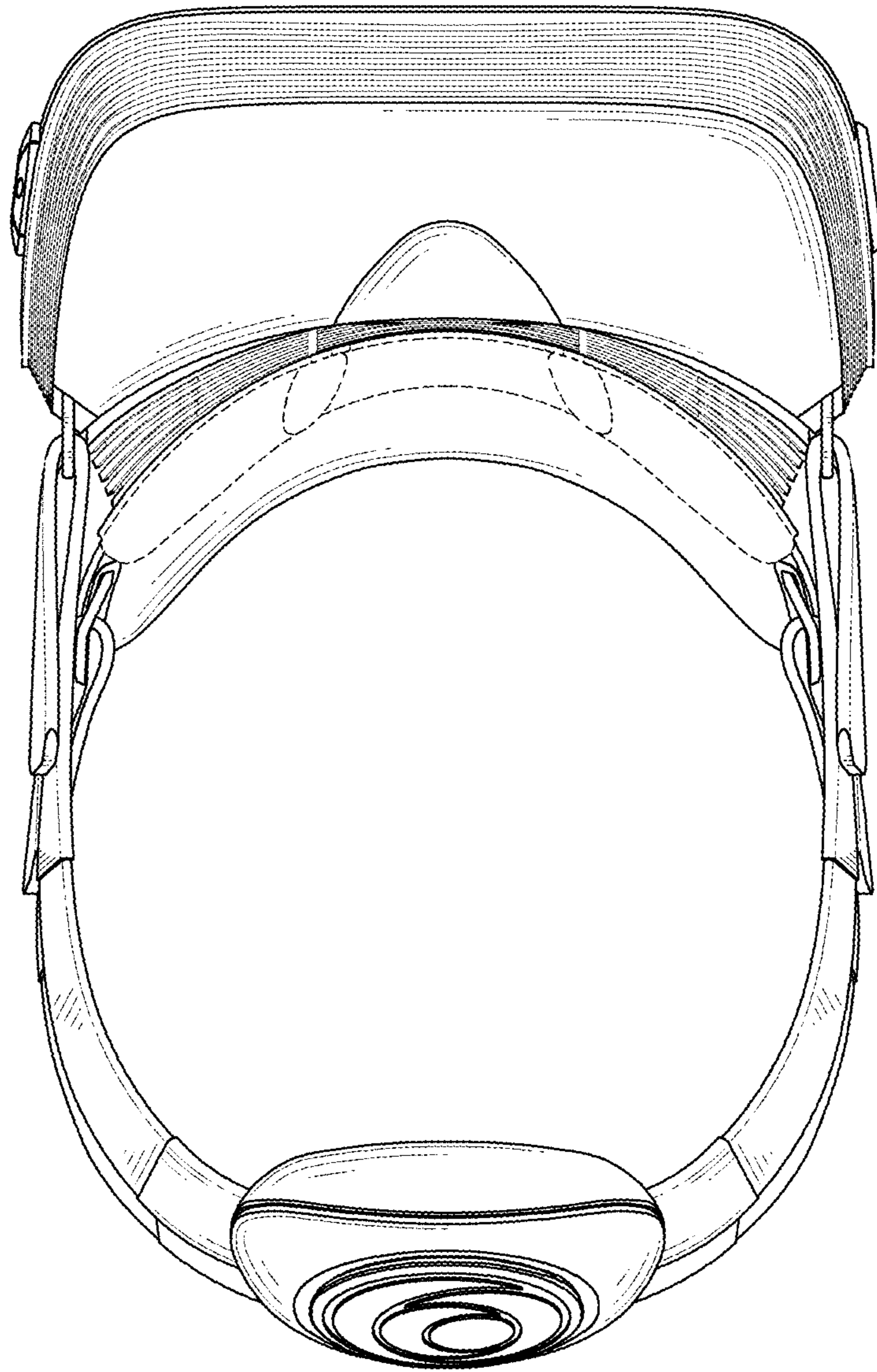


FIG. 7