



US00D818020S

(12) **United States Design Patent**  
**McGinn**

(10) **Patent No.:** **US D818,020 S**

(45) **Date of Patent:** **\*\* May 15, 2018**

(54) **ROBOT HEAD**

(71) Applicant: **The Provost, Fellows, Foundation  
Scholars and the other members of  
Board, of the College of the Holy and  
Undivided Trinity of Queen Elizabeth  
near Dublin, Dublin (IE)**

(72) Inventor: **Conor McGinn, Dublin (IE)**

(73) Assignee: **THE PROVOST, FELLOWS,  
FOUNDATION SCHOLARS AND  
THE OTHER MEMBERS OF  
BOARD, OF THE COLLEGE OF  
THE HOLY AND UNDIVIDED  
TRINITY OF QUEEN ELIZABETH  
NEAR DUBLIN, Dublin (IE)**

(\*\*) Term: **15 Years**

(21) Appl. No.: **29/606,649**

(22) Filed: **Jun. 6, 2017**

(51) **LOC (11) Cl.** ..... **15-99**

(52) **U.S. Cl.**  
USPC ..... **D15/199**

(58) **Field of Classification Search**  
USPC ..... D15/199; D21/578-583, 621, 622  
CPC ... B25J 5/00; B25J 5/007; B25J 9/0006; B25J  
19/0016; Y10S 901/01; Y10S 901/19;  
Y10S 901/27

See application file for complete search history.

(56) **References Cited**

**U.S. PATENT DOCUMENTS**

D248,688 S *	7/1978	Vernon, Jr.	.....	D21/578
D285,599 S *	9/1986	Forino	.....	D21/578
D288,581 S *	3/1987	Man	.....	D21/578
D563,443 S *	3/2008	Ahn	.....	D15/199
D572,739 S *	7/2008	Jennings	.....	D15/199
D574,404 S *	8/2008	Maisonnier	.....	D15/199

D626,578 S *	11/2010	Wiley	.....	D15/199
D644,256 S *	8/2011	Kitano	.....	D15/199
8,306,664 B1 *	11/2012	Wiley	.....	B25J 5/007 280/304
D675,656 S *	2/2013	Sutherland	.....	D15/199
D715,381 S *	10/2014	Ito	.....	A63H 3/00 D21/578
9,776,327 B2 *	10/2017	Pinter	.....	B25J 9/1676
D804,585 S *	12/2017	Belker	.....	D21/562
9,878,445 B2 *	1/2018	Angle	.....	G16H 20/00
2005/0222713 A1 *	10/2005	Kawabe	.....	B25J 19/021 700/259
2006/0013469 A1 *	1/2006	Wang	.....	B25J 5/007 382/153
2006/0182596 A1 *	8/2006	Dent	.....	A61B 34/70 414/699
2007/0297632 A1 *	12/2007	Joublin	.....	B25J 13/003 381/372
2008/0167160 A1 *	7/2008	Koike	.....	B60B 19/14 476/33

(Continued)

*Primary Examiner* — Patricia A Palasik

(74) *Attorney, Agent, or Firm* — ARC IP Law, PC;  
Joseph J. Mayo

(57) **CLAIM**

The ornamental design for a robot head, as shown and described.

**DESCRIPTION**

FIG. 1 is a perspective view of a robot head.

FIG. 2 is a front view of the robot head.

FIG. 3 is a back view of the robot head.

FIG. 4 is a top view of the robot head.

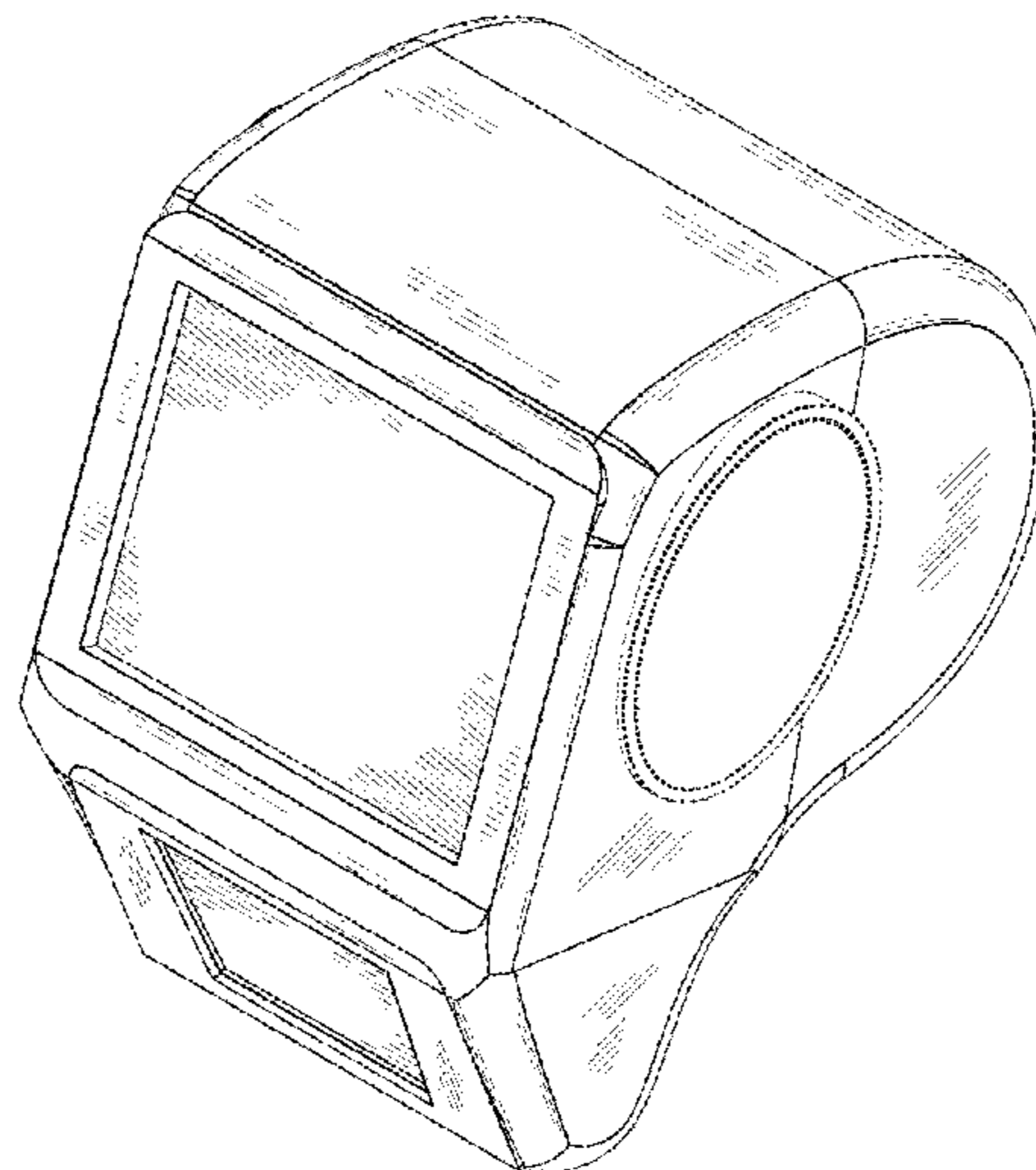
FIG. 5 is a bottom view of the robot head.

FIG. 6 is a left view of the robot head; and,

FIG. 7 is a right view of the robot head.

The broken lines showing of the robot neck are for environmental purposes only and form no part of the claimed design.

**1 Claim, 7 Drawing Sheets**



(56)

**References Cited**

U.S. PATENT DOCUMENTS

2009/0118865 A1\* 5/2009 Egawa ..... B25J 19/023  
700/259  
2010/0010672 A1\* 1/2010 Wang ..... B25J 5/00  
700/259  
2012/0061155 A1\* 3/2012 Berger ..... B25J 5/007  
180/21  
2016/0059408 A1\* 3/2016 Isobe ..... B25J 5/007  
700/253  
2017/0072284 A1\* 3/2017 Thoman ..... A63B 69/406  
2018/0021941 A1\* 1/2018 Berger ..... B25J 5/00  
2018/0043532 A1\* 2/2018 Lection ..... B25J 9/1661  
2018/0043543 A1\* 2/2018 Buibas ..... B25J 9/1697

\* cited by examiner

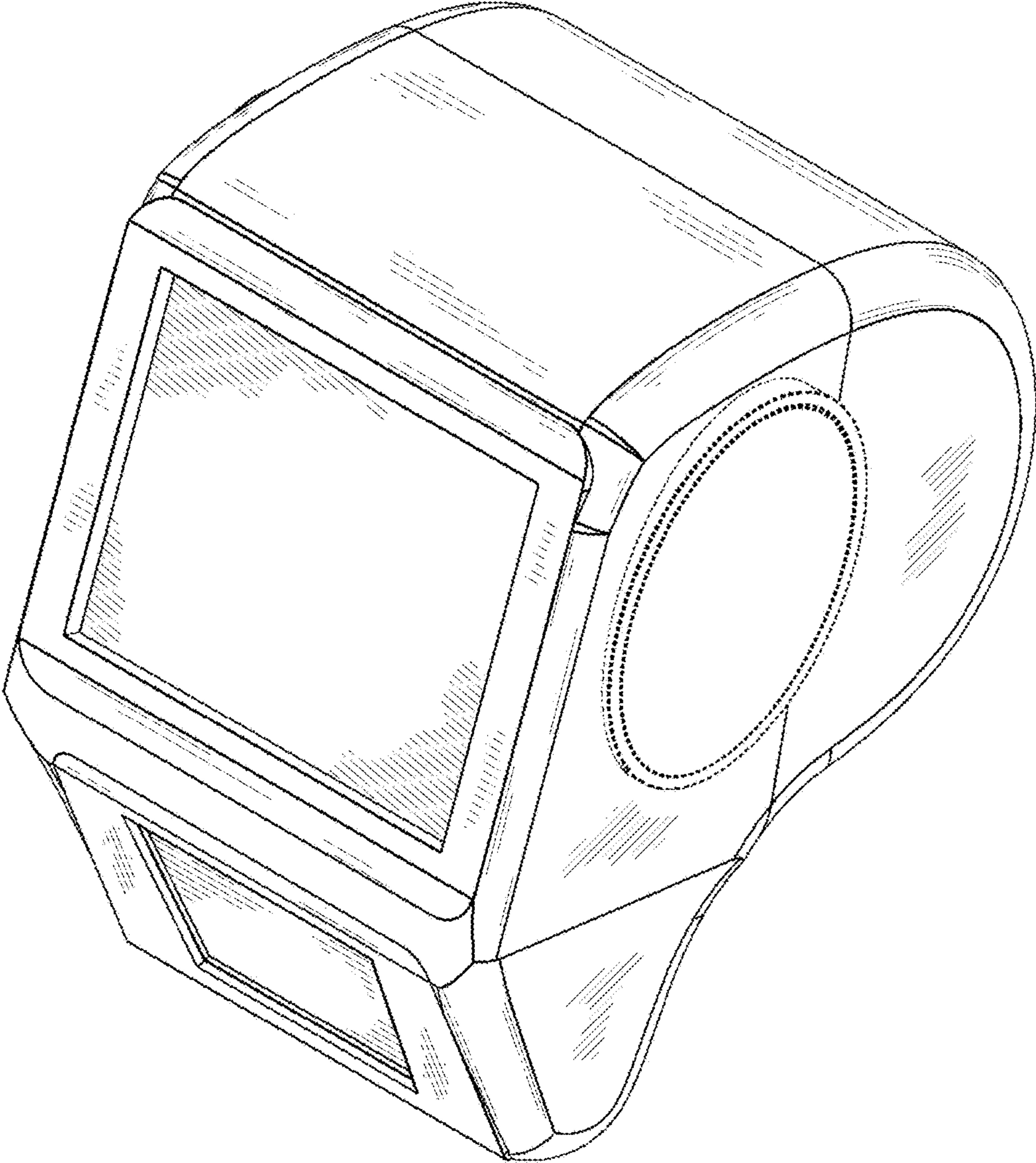


FIG. 1

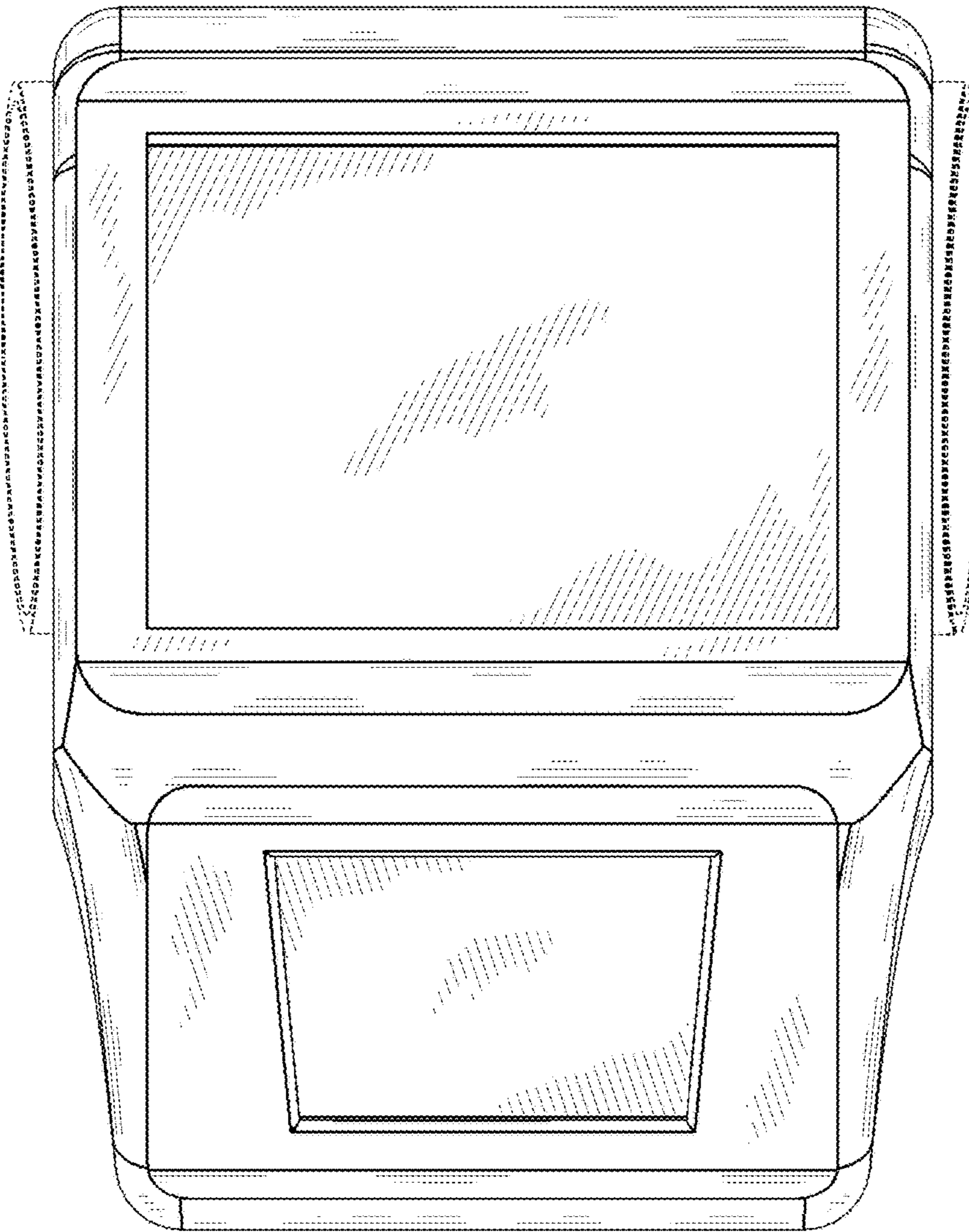


FIG. 2

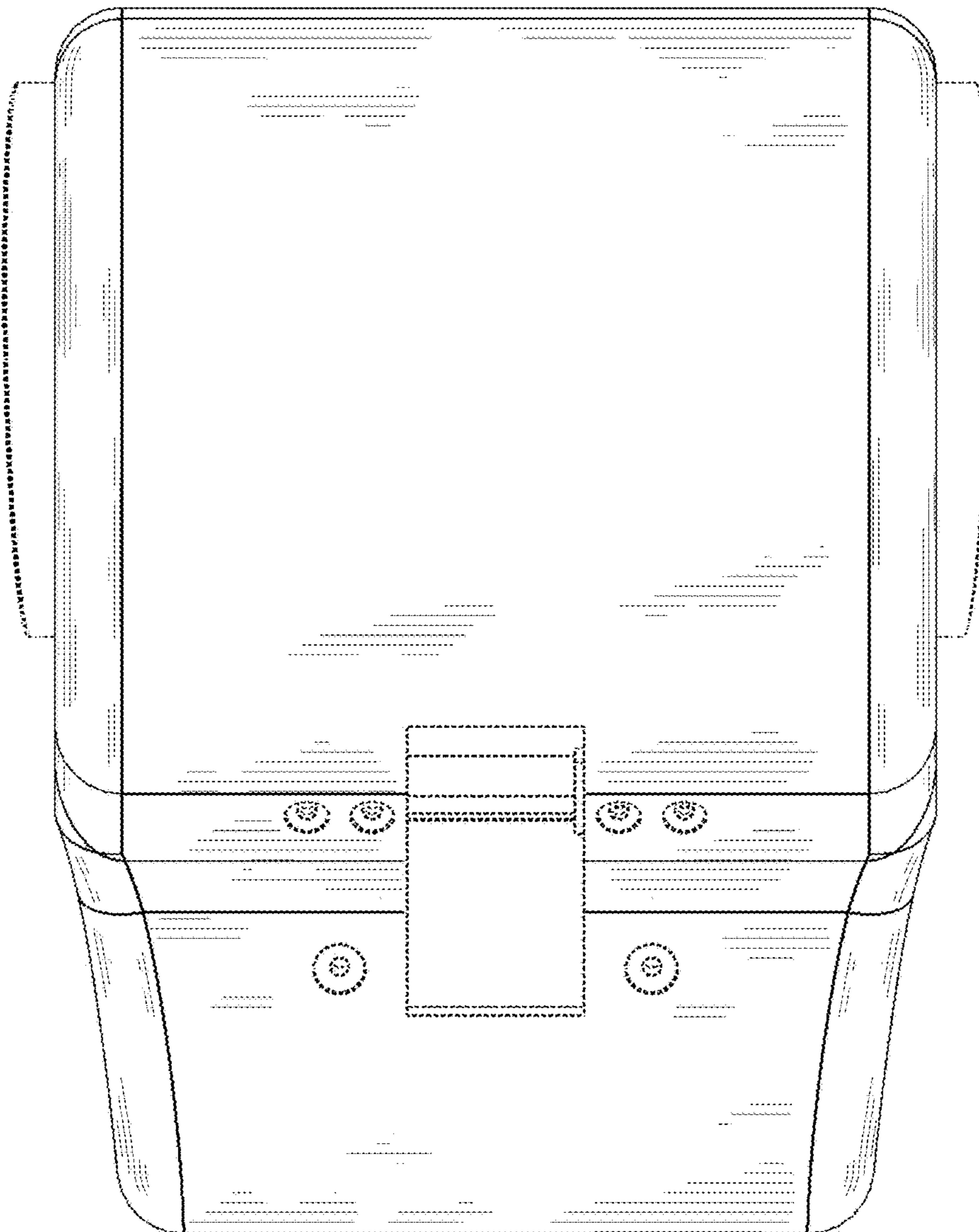


FIG. 3

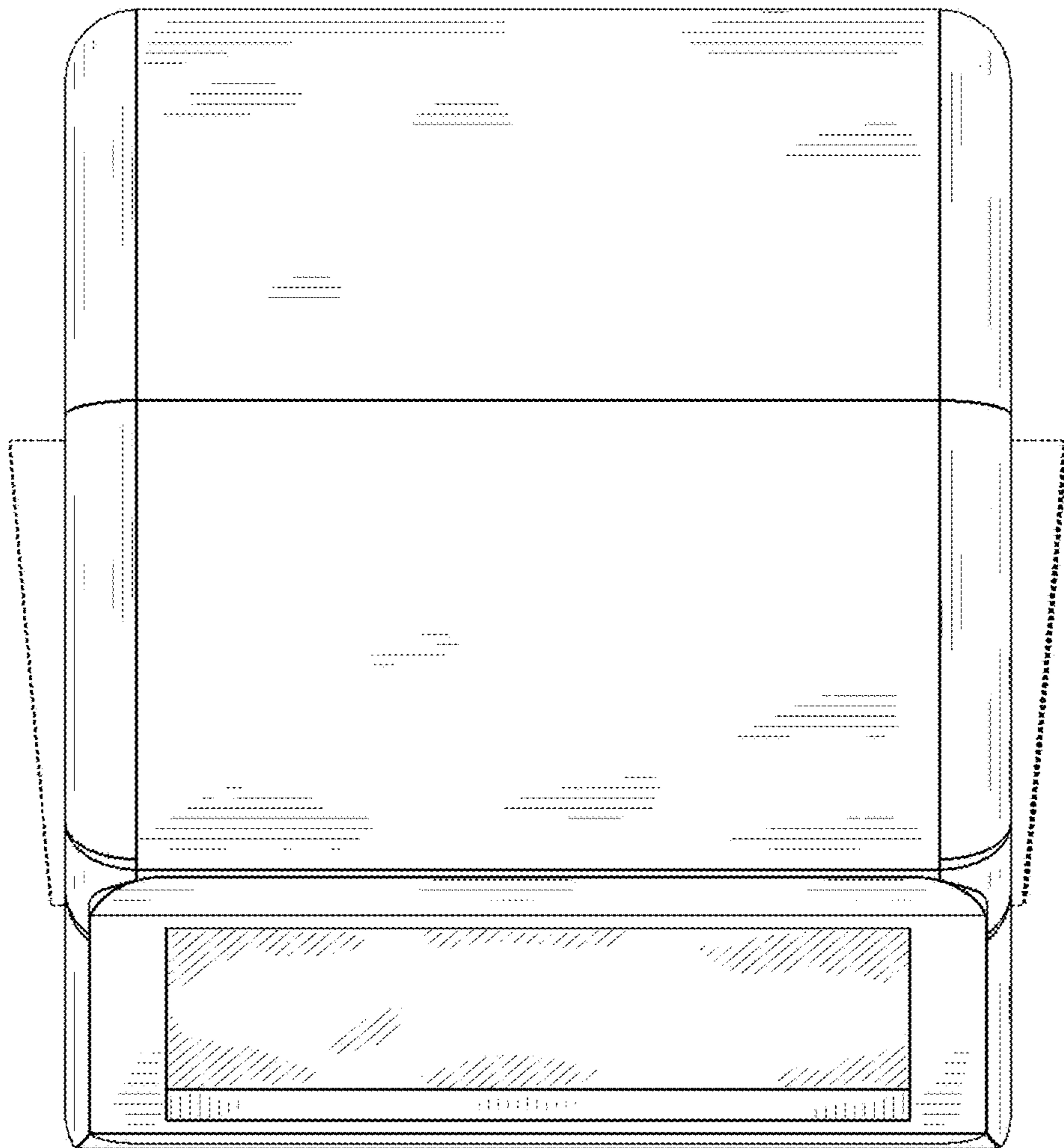


FIG. 4

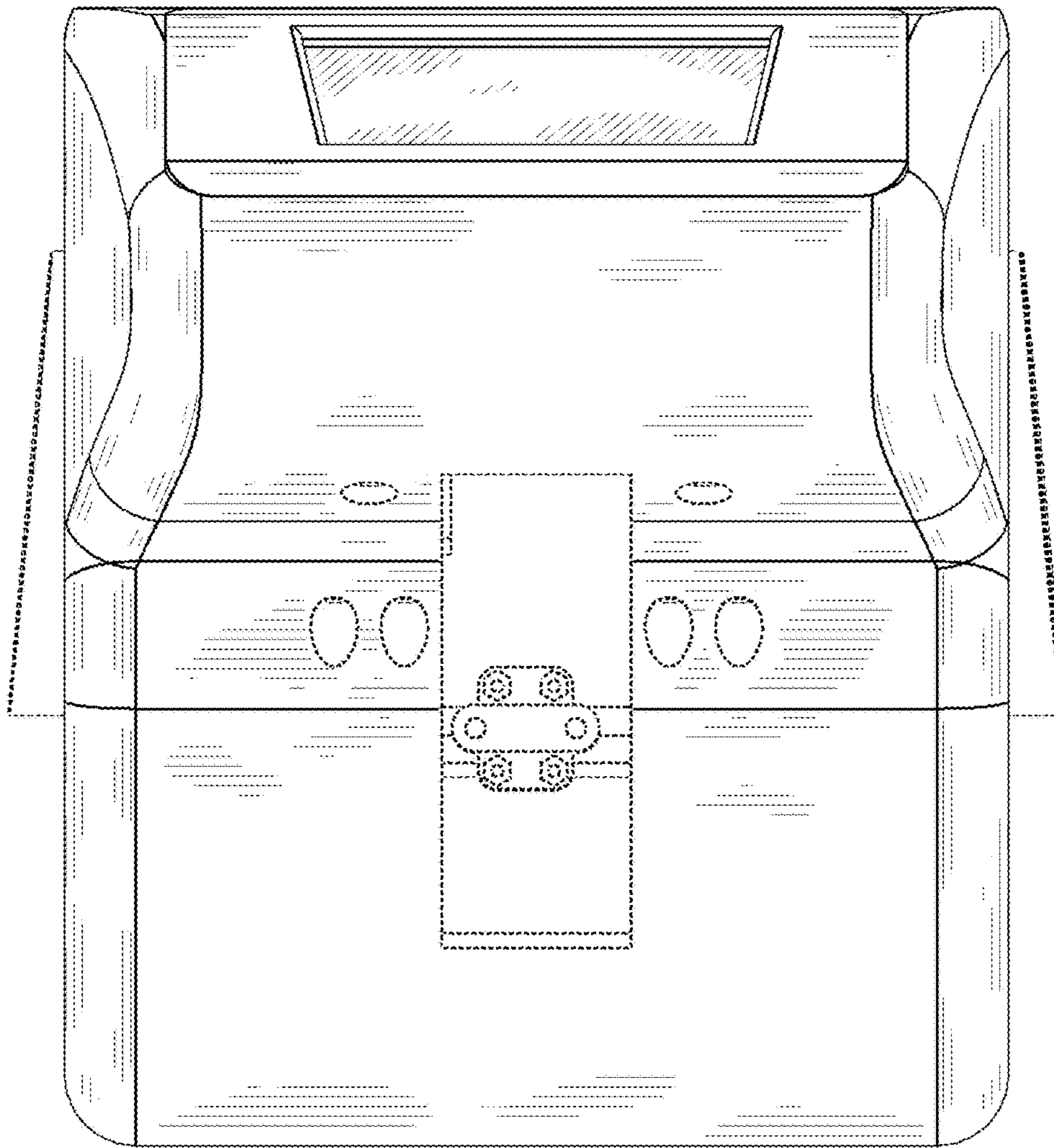


FIG. 5

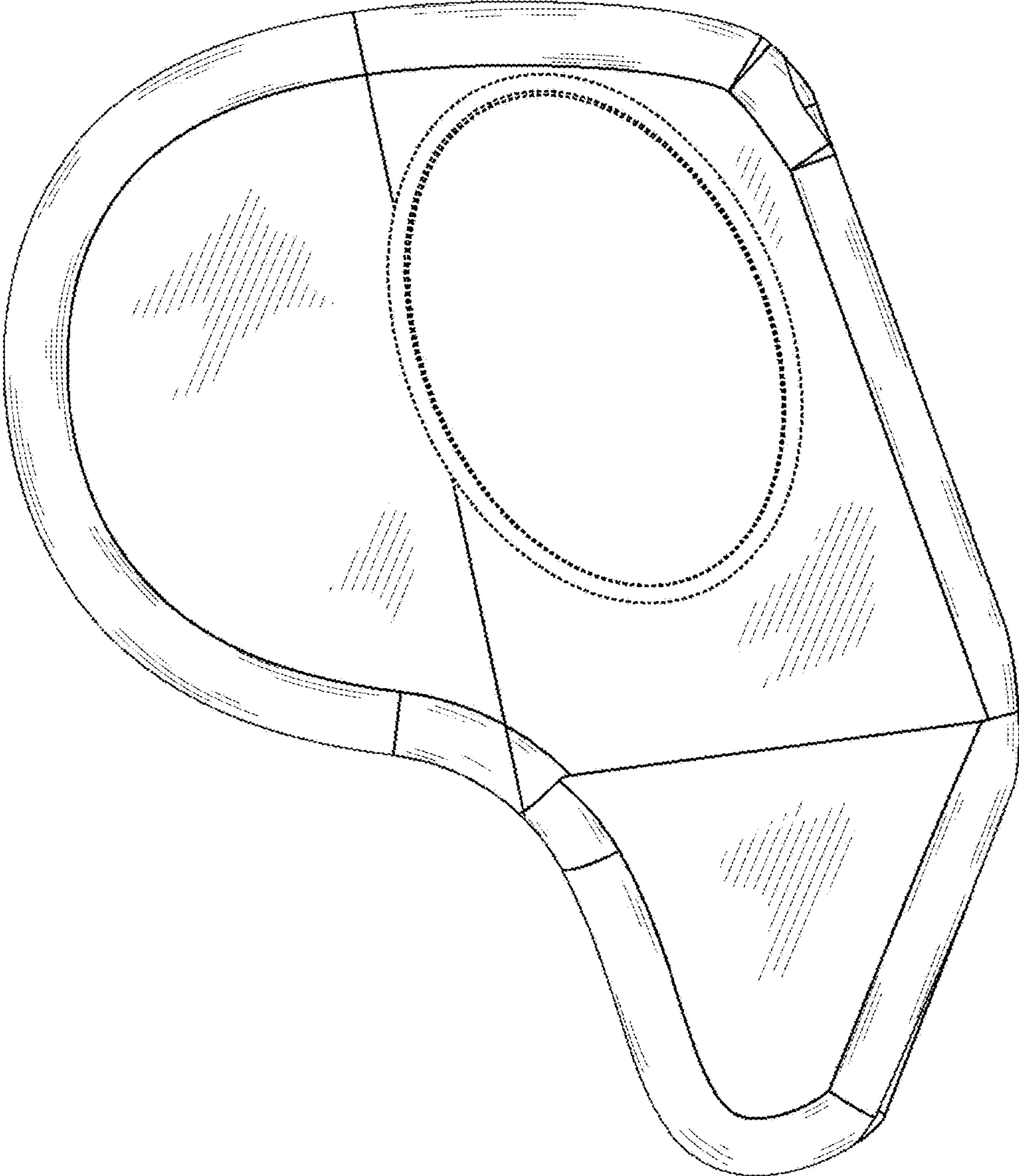


FIG. 6



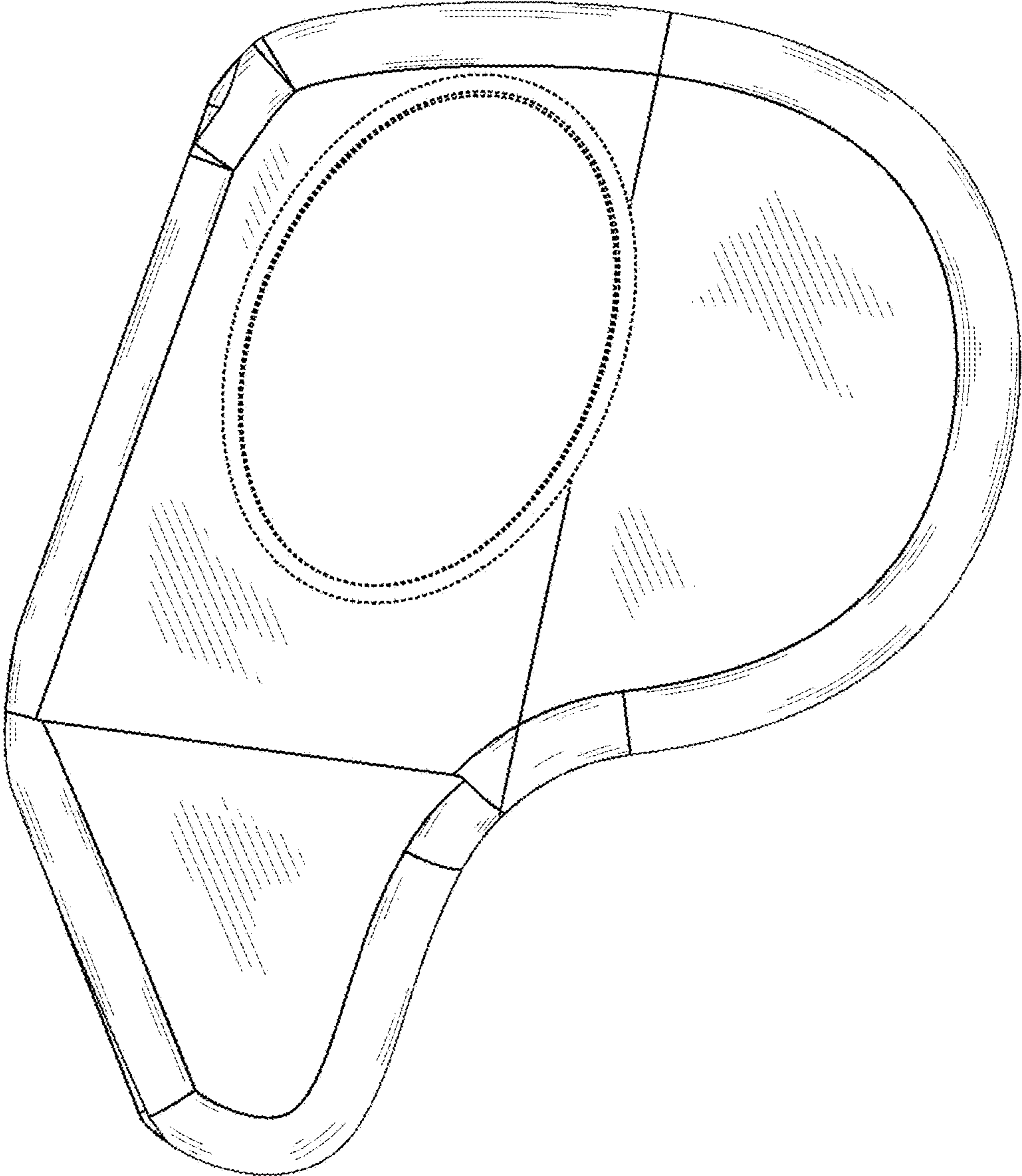


FIG. 7