



US00D818018S

(12) **United States Design Patent** (10) **Patent No.:** **US D818,018 S**  
**Demmeler** (45) **Date of Patent:** **\*\* May 15, 2018**

(54) **WISE FOR USE WITH A WELDING TABLE**

(71) Applicant: **Johannes Demmeler**, Memmingen (DE)

(72) Inventor: **Johannes Demmeler**, Memmingen (DE)

(\*\*) Term: **15 Years**

(21) Appl. No.: **29/566,979**

(22) Filed: **Jun. 3, 2016**

**Related U.S. Application Data**

(62) Division of application No. 29/483,583, filed on Feb. 28, 2014, now Pat. No. Des. 774,118.

(51) **LOC (11) Cl.** ..... **15-09**

(52) **U.S. Cl.**  
USPC ..... **D15/144**

(58) **Field of Classification Search**  
USPC ..... D8/71, 349, 354; D10/64, 65, 70; D15/140, 141, 144, 144.1, 144.2  
CPC ..... B23K 37/053; B23K 37/0435; B23K 2201/06; B25B 5/16; B25B 5/101; B25B 5/163; B25B 31/005; B25H 1/02; B25H 1/08; F16B 2/16; F16B 5/0621; F16B 5/0642; F16B 21/165; Y10S 269/90  
See application file for complete search history.

(56) **References Cited**

**U.S. PATENT DOCUMENTS**

1,402,881 A	1/1922	Murchie	
1,603,307 A	10/1926	Anderson	
2,310,904 A	2/1943	Bales	
2,724,038 A	11/1955	Bentzen	
3,188,078 A	6/1965	Peterson	
4,232,856 A	11/1980	Eichfeld et al.	
4,595,186 A *	6/1986	Reed	..... B23K 37/0461 269/243

4,625,951 A	12/1986	Yang	
4,857,260 A	8/1989	Schoenig, Jr. et al.	
4,867,427 A	9/1989	Cunningham	
4,949,929 A	8/1990	Kesselman et al.	
5,318,284 A	6/1994	Demmeler et al.	
D365,115 S	12/1995	Walker	
5,605,275 A *	2/1997	Rintala	..... B23K 37/0408 228/49.4
D384,359 S	9/1997	Walker	
D388,799 S	1/1998	Walker	
D391,586 S	3/1998	Walker	
5,833,384 A	11/1998	McKibben	
5,871,191 A	2/1999	Cohn	
5,901,763 A	5/1999	You	
6,019,359 A	2/2000	Fly	
6,024,350 A	2/2000	Price et al.	
6,036,082 A	3/2000	Caldarone	
6,148,881 A	11/2000	Valenzuela	
6,222,151 B1	4/2001	Ziolkowski et al.	
6,230,585 B1	5/2001	Bator	

(Continued)

**OTHER PUBLICATIONS**

Feb. 4, 2016 Office Action Issued in U.S. Appl. No. 29/483,583.  
Jun. 15, 2017 Office Action issued in U.S. Appl. No. 29/566,958.  
Jun. 15, 2017 Office Action issued in U.S. Appl. No. 29/566,973.

*Primary Examiner* — Patricia A Palasik  
(74) *Attorney, Agent, or Firm* — Oliff PLC

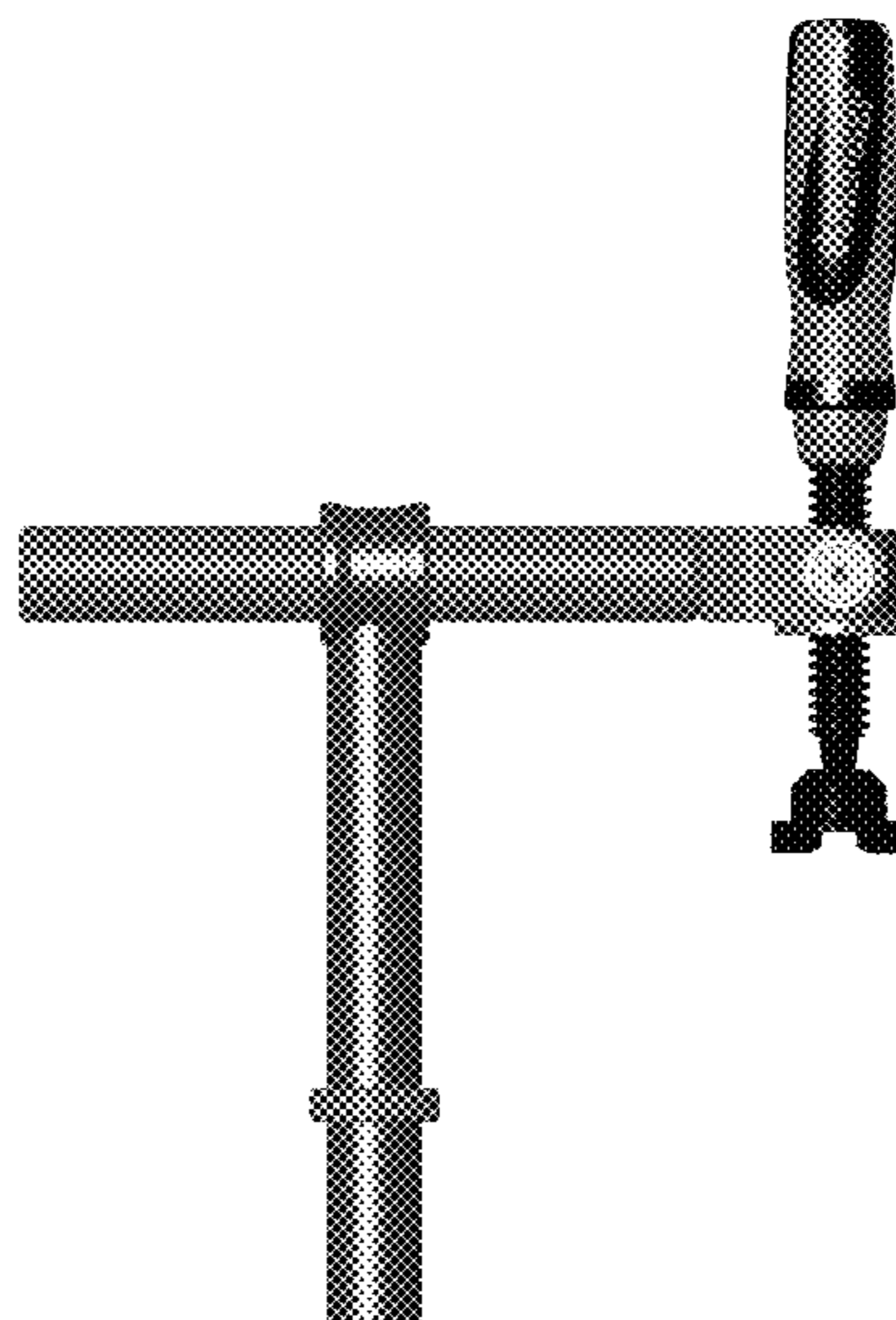
(57) **CLAIM**

The ornamental design for a vise for use with a welding table, as shown and described.

**DESCRIPTION**

FIG. 1 is a side view of a first embodiment of a vise for use with a welding table;  
FIG. 2 is a front view thereof;  
FIG. 3 is a rear view thereof;  
FIG. 4 is a top view thereof; and,  
FIG. 5 is an enlarged view of area 5 in FIG. 4.

**1 Claim, 3 Drawing Sheets**



(56)

**References Cited**

U.S. PATENT DOCUMENTS

6,270,044	B1	8/2001	Kakehi	
7,114,732	B1	10/2006	Ismail	
7,721,456	B2	5/2010	Marichi Rodriguez et al.	
8,065,967	B2	11/2011	Wong	
8,151,458	B2	4/2012	Hlavaty et al.	
8,777,204	B2	7/2014	Ruland	
8,784,939	B2	7/2014	Romero et al.	
8,794,612	B2	8/2014	Chuang	
8,807,549	B2	8/2014	Henze et al.	
8,991,024	B2	3/2015	Barillaro et al.	
9,015,917	B2	4/2015	Norton	
9,022,333	B2	5/2015	Chen et al.	
9,022,374	B1	5/2015	Baryam	
9,027,913	B2	5/2015	Li	
2005/0212236	A1*	9/2005	Tiramani .....	B25H 1/04 280/47.18
2010/0140232	A1	6/2010	Brunnecker et al.	
2010/0301533	A1	12/2010	Wong	
2017/0173779	A1*	6/2017	Luis y Prado .....	B25H 1/14

\* cited by examiner

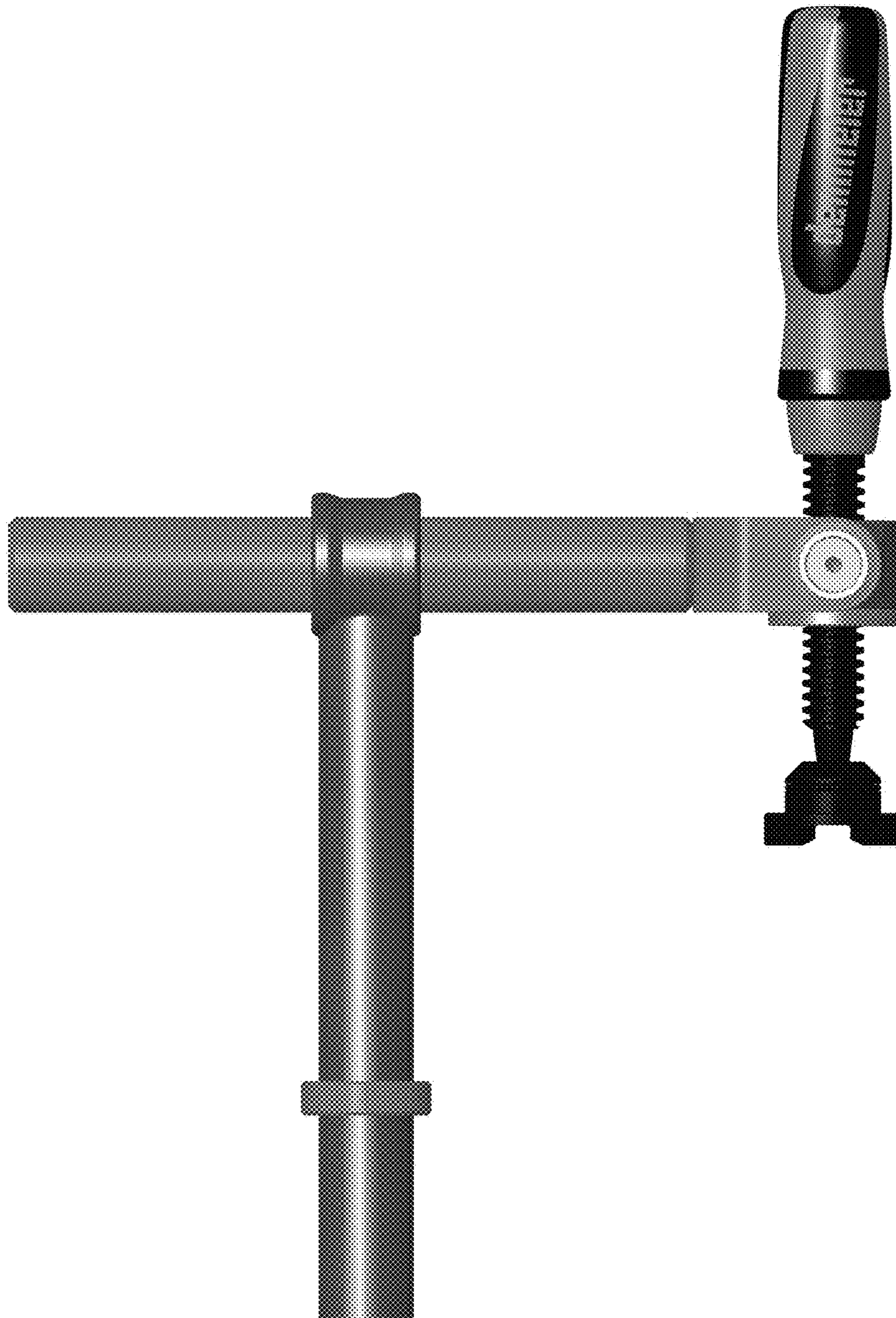


FIG. 1

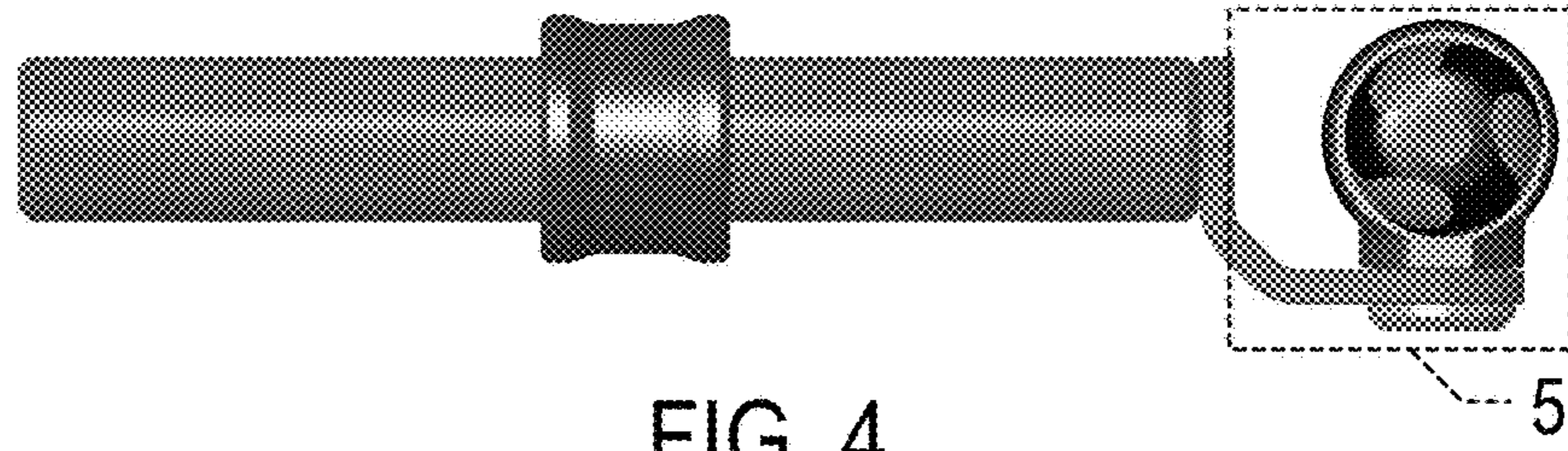


FIG. 4

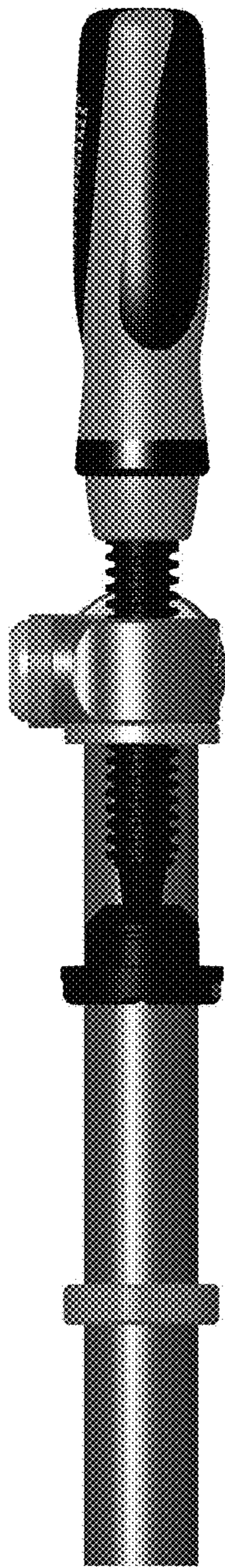


FIG. 2

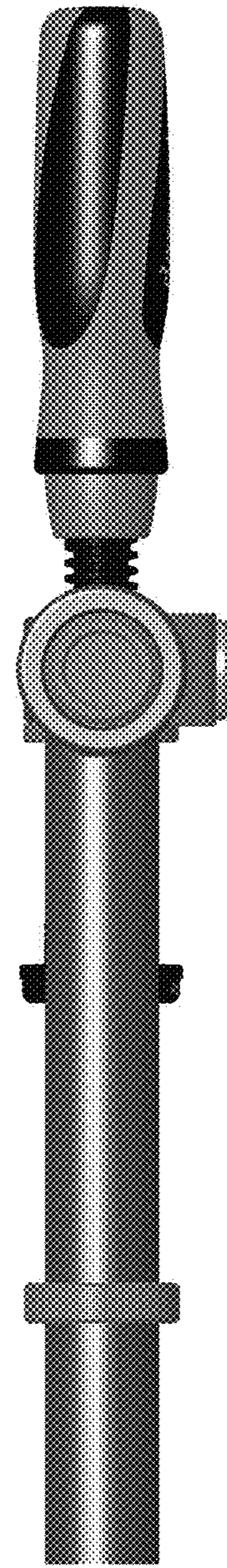


FIG. 3

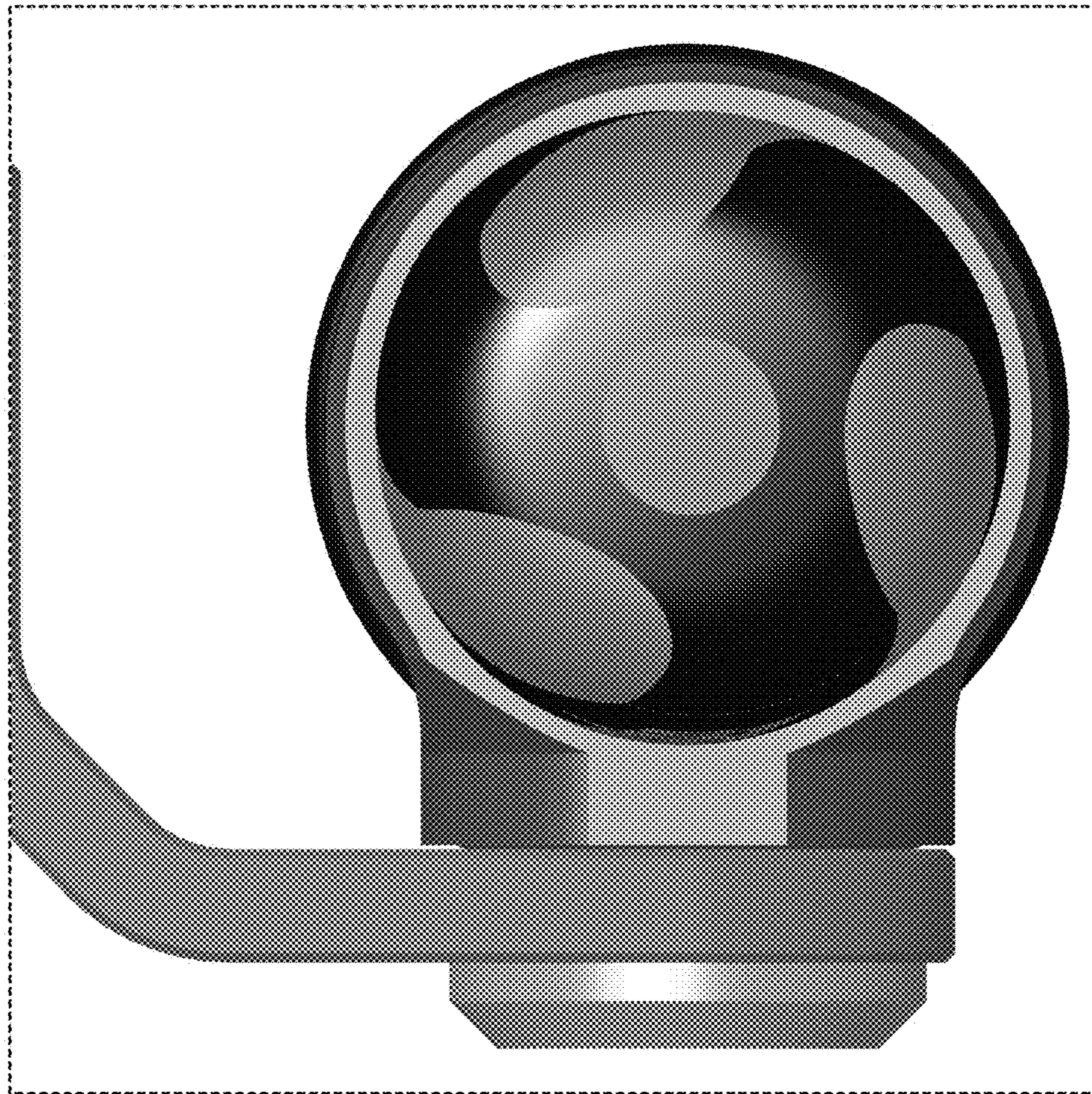


FIG. 5