



US00D818017S

(12) **United States Design Patent**
Scholey et al.

(10) **Patent No.:** **US D818,017 S**

(45) **Date of Patent:** **** May 15, 2018**

- (54) **MULTI-STROKE SWING LEVER**
- (71) Applicant: **Stolle Machinery Company, LLC**,
Centennial, CO (US)
- (72) Inventors: **Ian Kenneth Scholey**, Lone Tree, CO
(US); **Karl S. Fleischer**, Denver, CO
(US); **Alan W. Cleveland**, Firestone,
CO (US)
- (73) Assignee: **Stolle Machinery Company, LLC**,
Centennial, CO (US)
- (**) Term: **15 Years**
- (21) Appl. No.: **29/601,644**
- (22) Filed: **Apr. 25, 2017**
- (51) **LOC (11) Cl.** **15-09**
- (52) **U.S. Cl.**
USPC **D15/142**
- (58) **Field of Classification Search**
USPC 72/347, 450; 137/527.2, 15.18;
D23/233, 250, 245, 249; 74/519, 527,
74/528, 469, 489, 40, 473.18, 488, 602;
D12/317; 123/403, 78 E, 625.17, 625.41,
123/90.41; D15/142; 384/254;
188/79.55; 477/113; 100/282;
15/250.31
CPC F16K 15/035; B66F 3/12; Y10T 74/20582;
Y10T 292/108
See application file for complete search history.

- 3,511,117 A * 5/1970 Morse B60W 30/1819
477/113
- 5,188,206 A * 2/1993 Prince B63H 21/213
477/113
- 5,626,210 A * 5/1997 Nelander F16D 65/22
188/79.55
- 6,099,195 A * 8/2000 Egner-Walter B60S 1/24
15/250.31
- 2007/0151533 A1* 7/2007 Faria F01L 1/185
123/90.41

* cited by examiner

Primary Examiner — Cynthia Ramirez

Assistant Examiner — Gino Colan

(74) *Attorney, Agent, or Firm* — Eckert Seamans Cherin
& Mellott, LLC; David C. Jenkins

(57) **CLAIM**

The ornamental design for a multi-stroke swing lever, as
shown and described.

DESCRIPTION

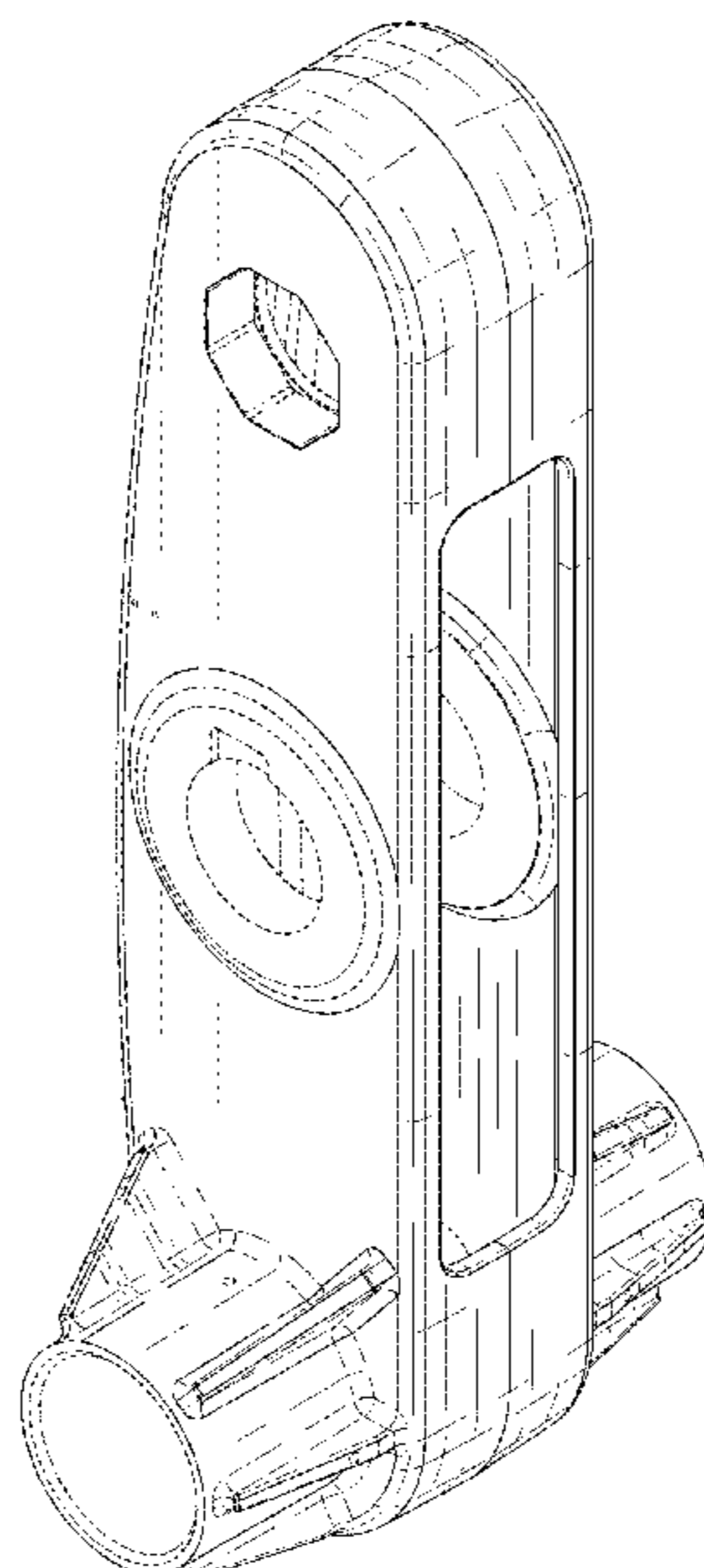
FIG. 1 is an isometric view of the multi-stroke swing lever;
FIG. 2 is another isometric view of the multi-stroke swing
lever;
FIG. 3 is another isometric view of the multi-stroke swing
lever;
FIG. 4 is another isometric view of the multi-stroke swing
lever;
FIG. 5 is a back view of the multi-stroke swing lever;
FIG. 6 is a right side view of the multi-stroke swing lever;
FIG. 7 is a front view of the multi-stroke swing lever;
FIG. 8 is left view of the multi-stroke swing lever;
FIG. 9 is a top view of the multi-stroke swing lever; and,
FIG. 10 is a bottom view of the multi-stroke swing lever.
The broken lines in the drawings depict environmental
subject matter only and form no part of the claimed design.

1 Claim, 9 Drawing Sheets

(56) **References Cited**

U.S. PATENT DOCUMENTS

- 1,621,053 A * 3/1927 Besse B66D 1/00
384/254
- 3,380,284 A * 4/1968 Brener B21D 28/002
100/282



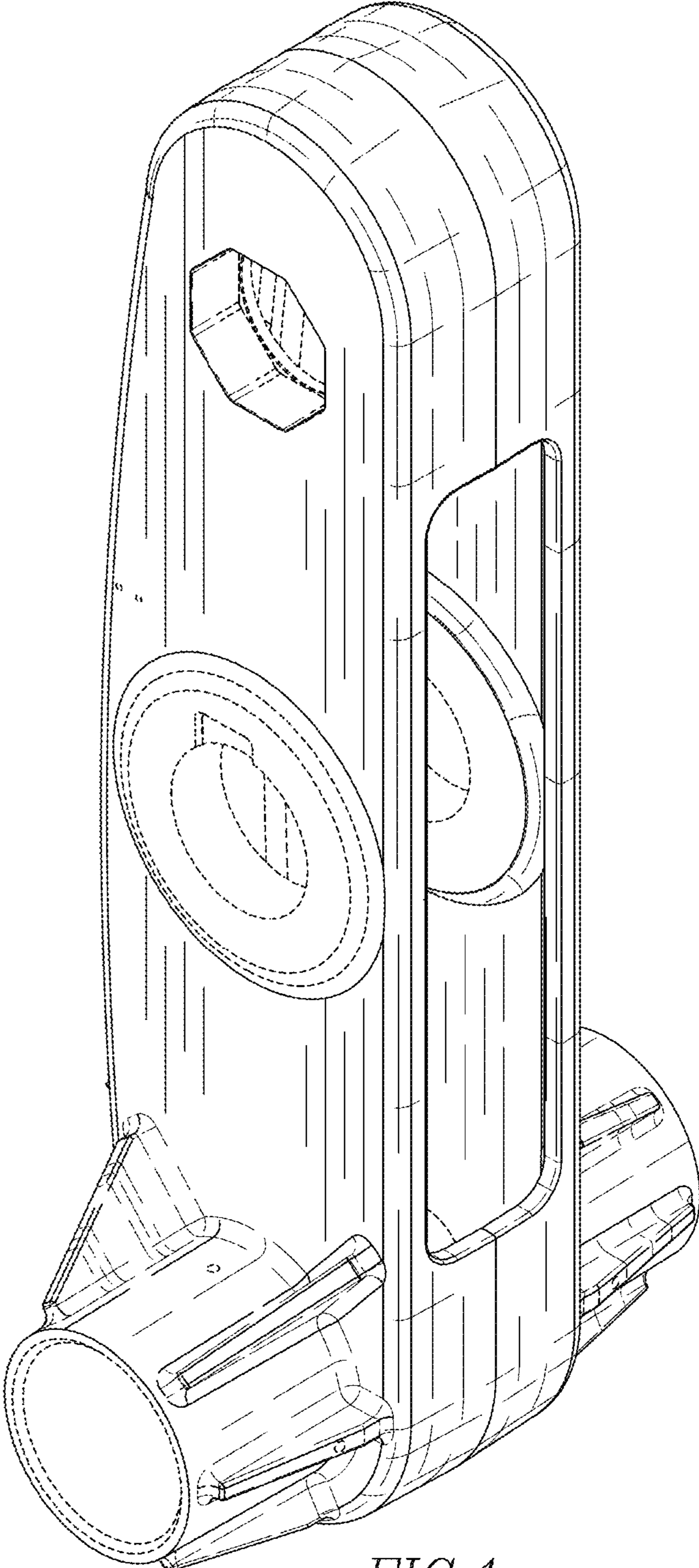


FIG.1

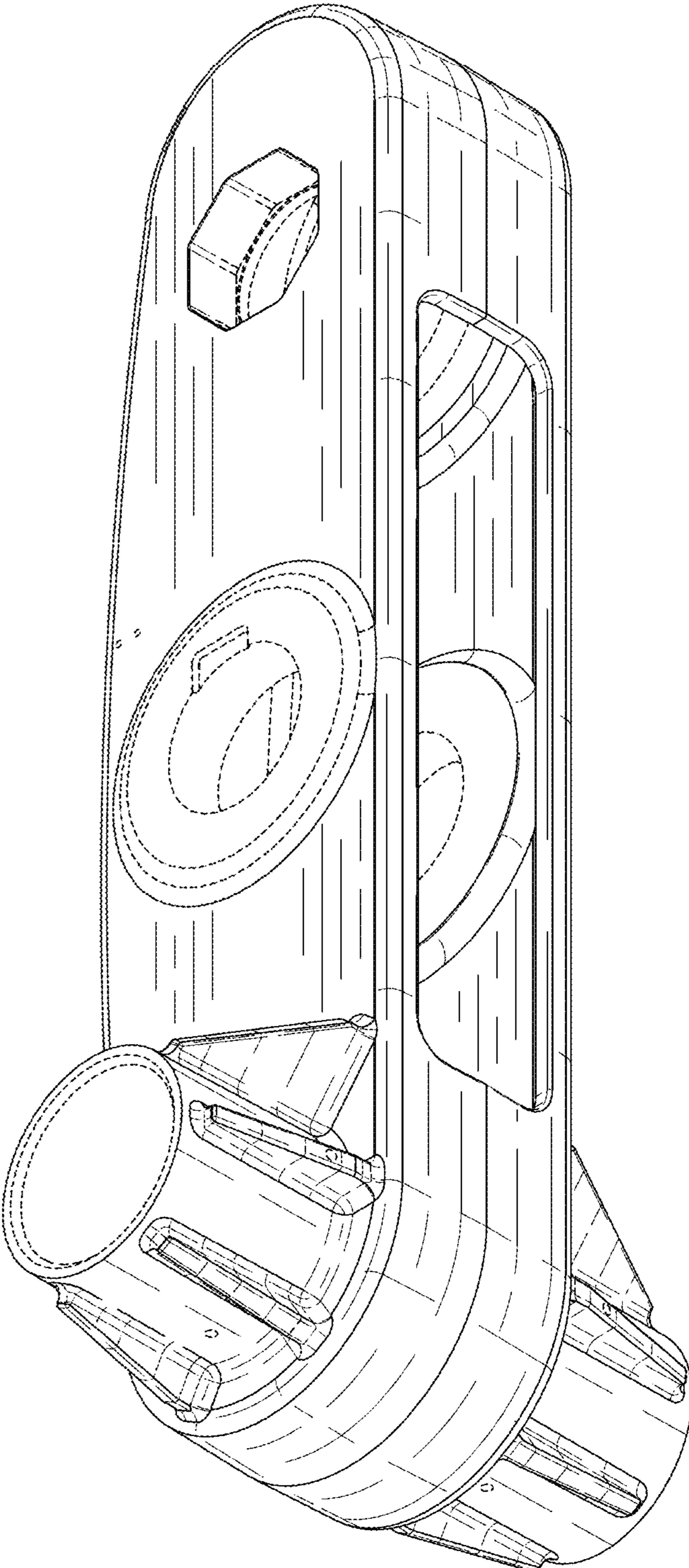


FIG. 2

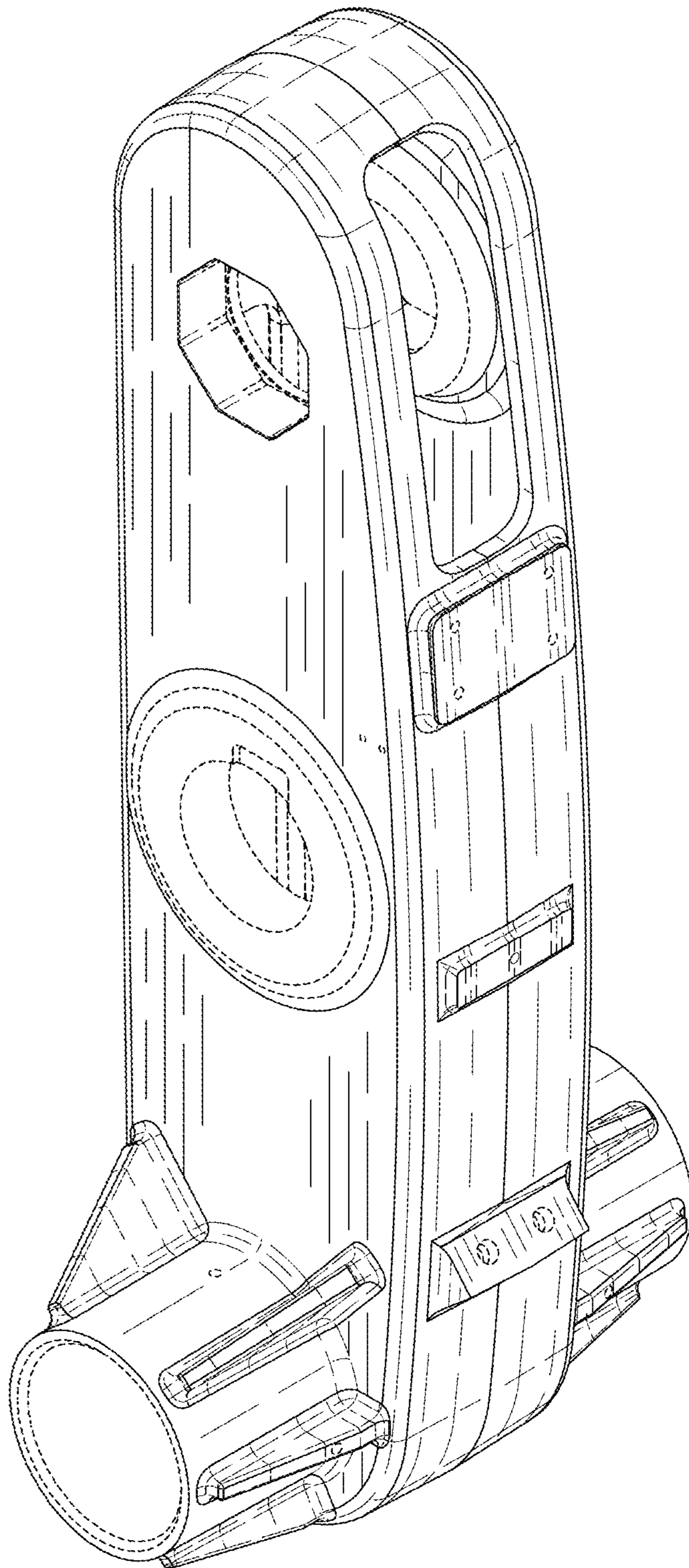


FIG. 3

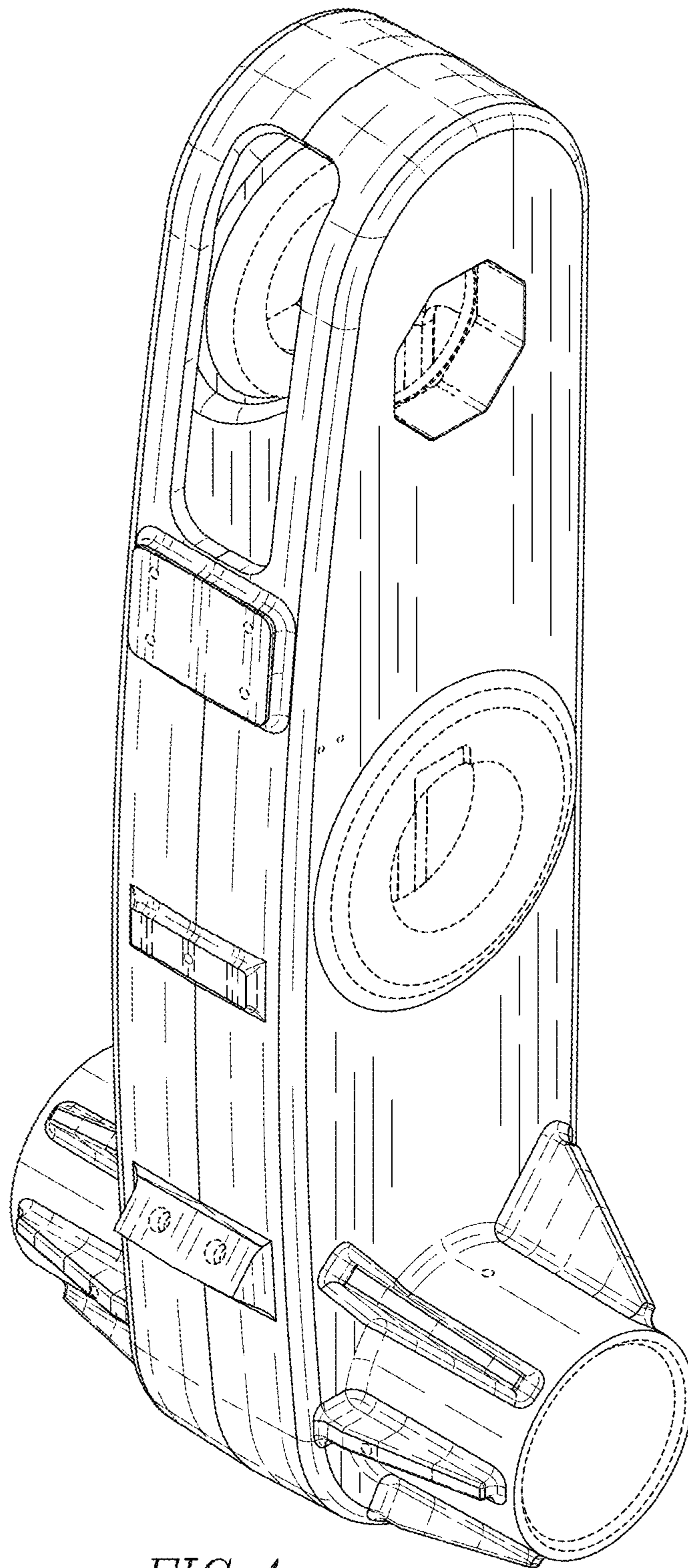


FIG. 4

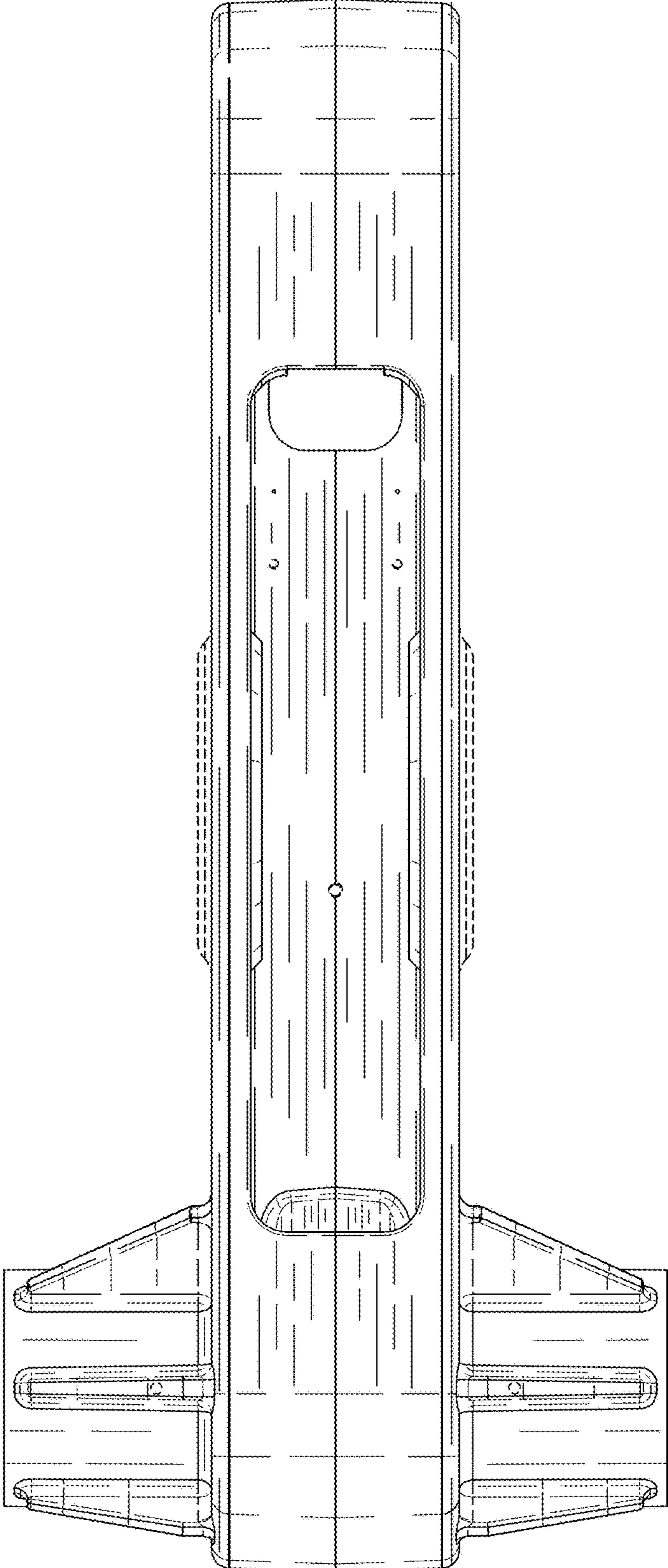


FIG. 5

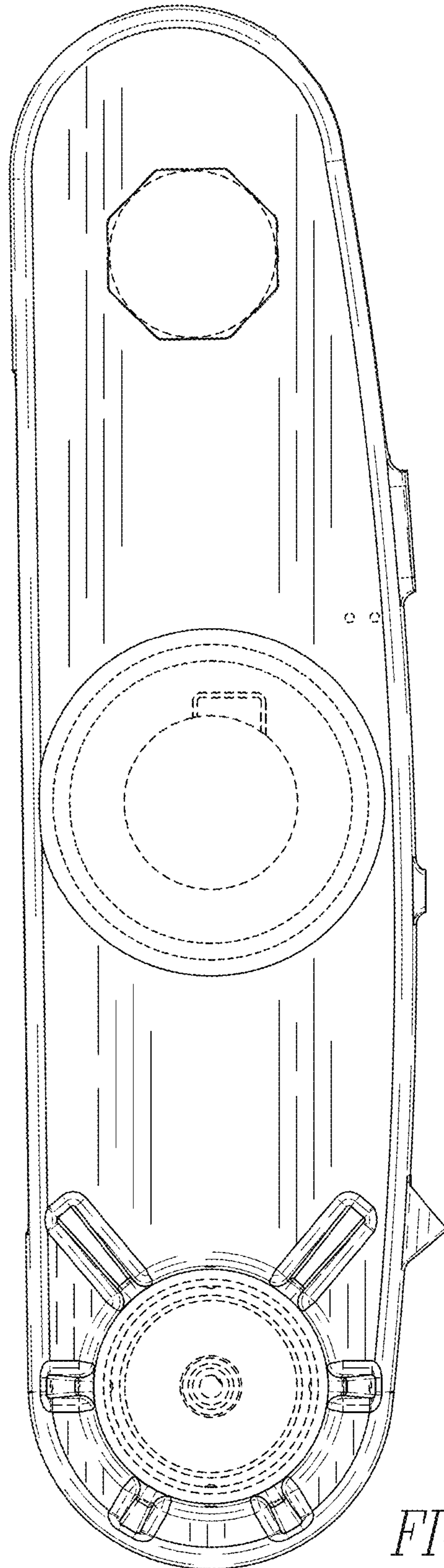


FIG. 6

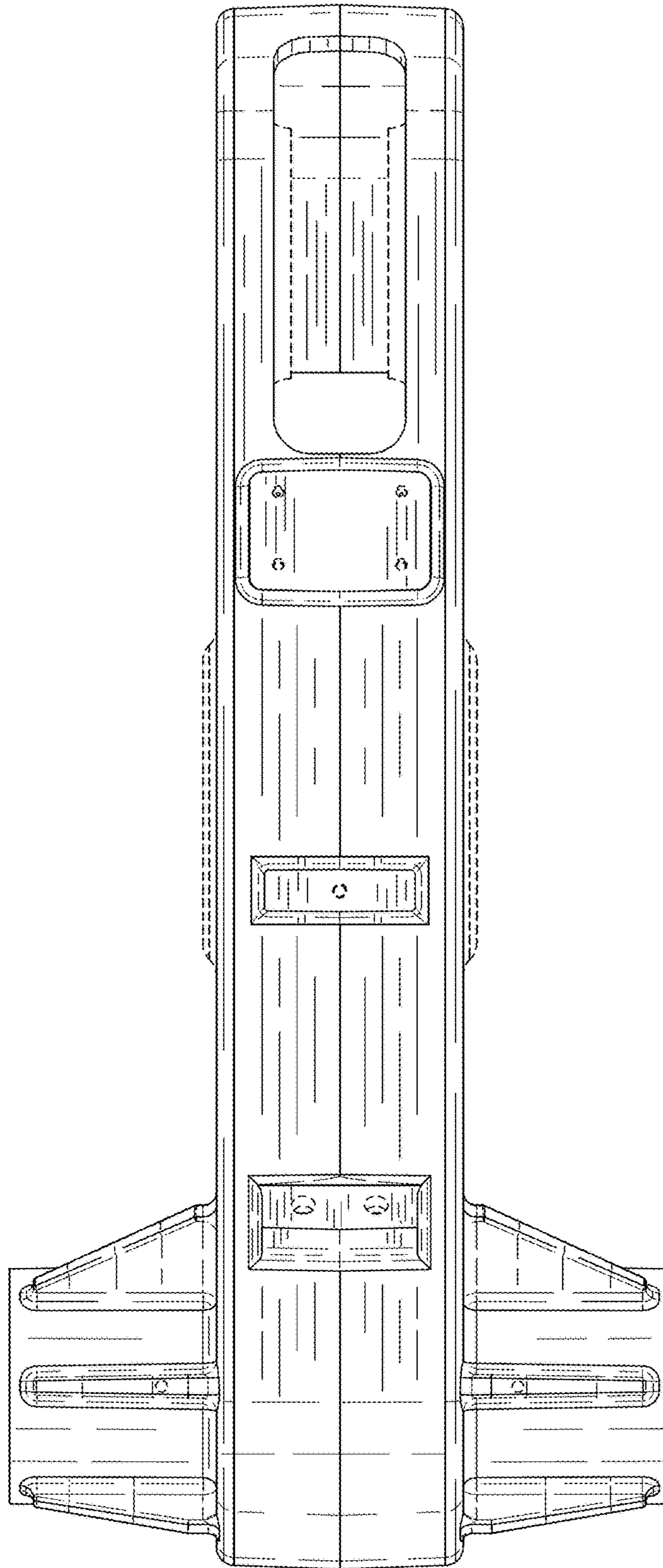


FIG. 7

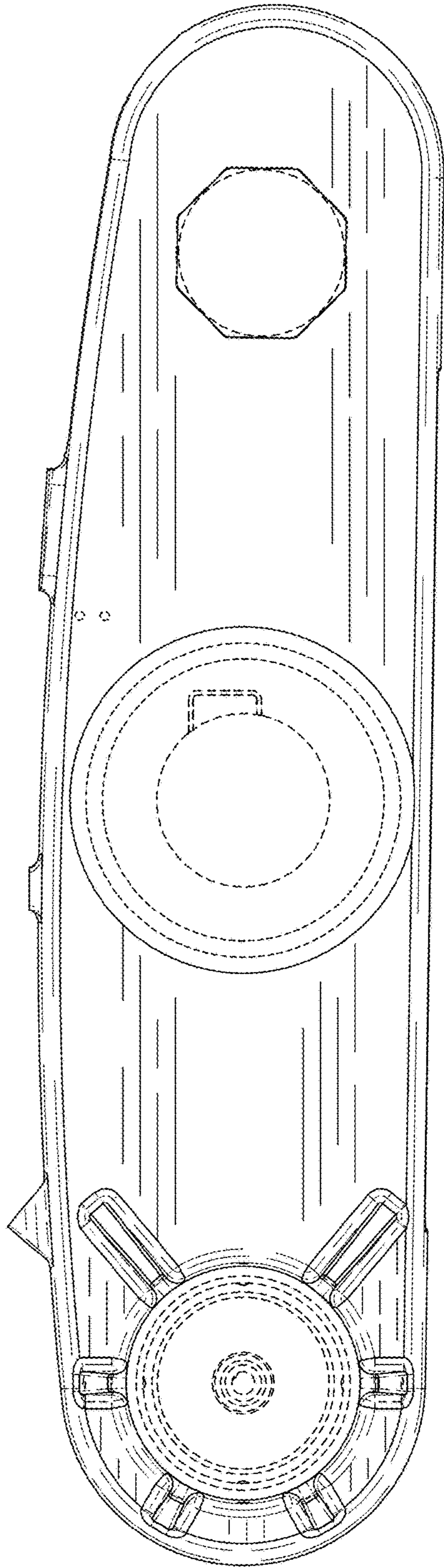


FIG. 8

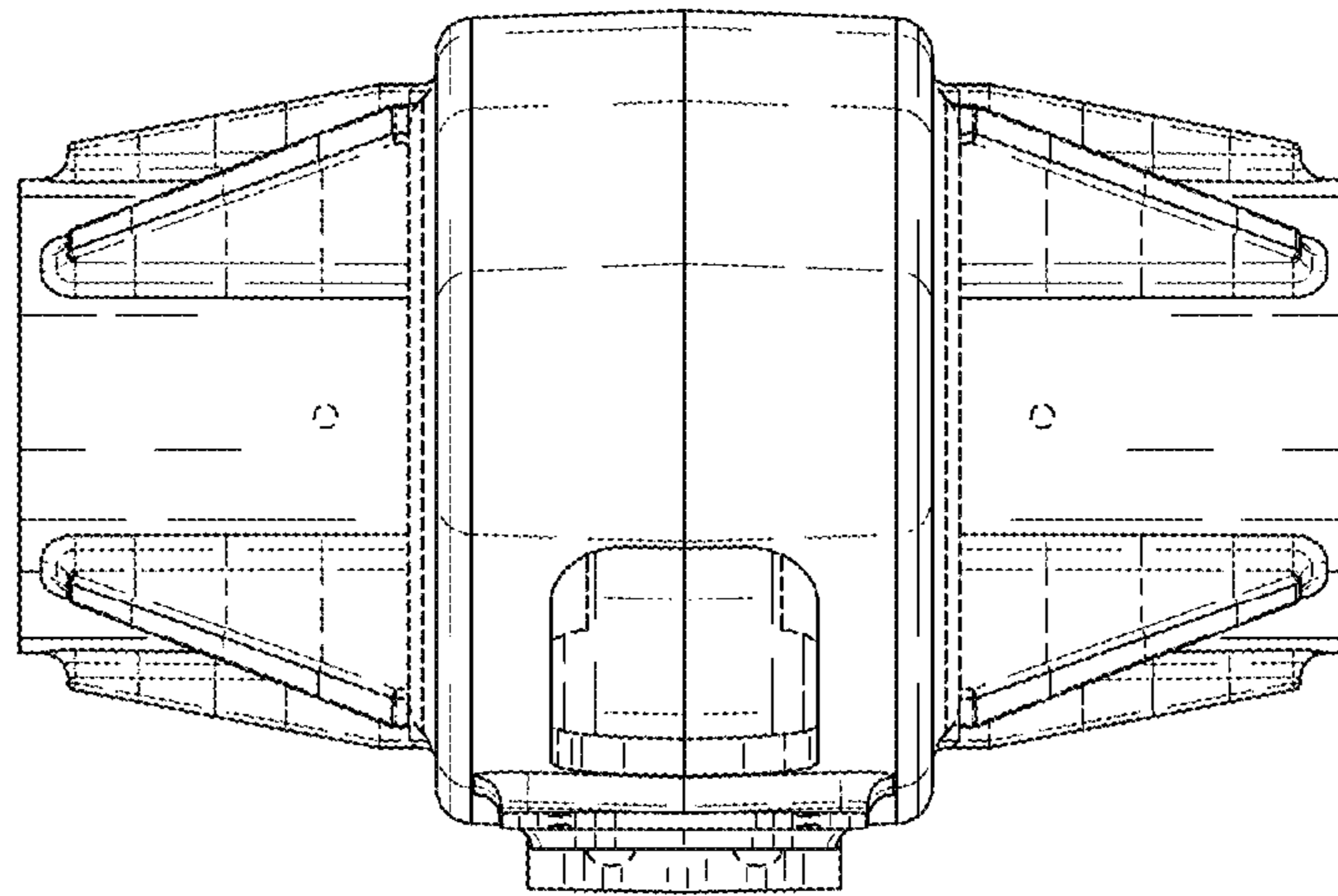


FIG. 9

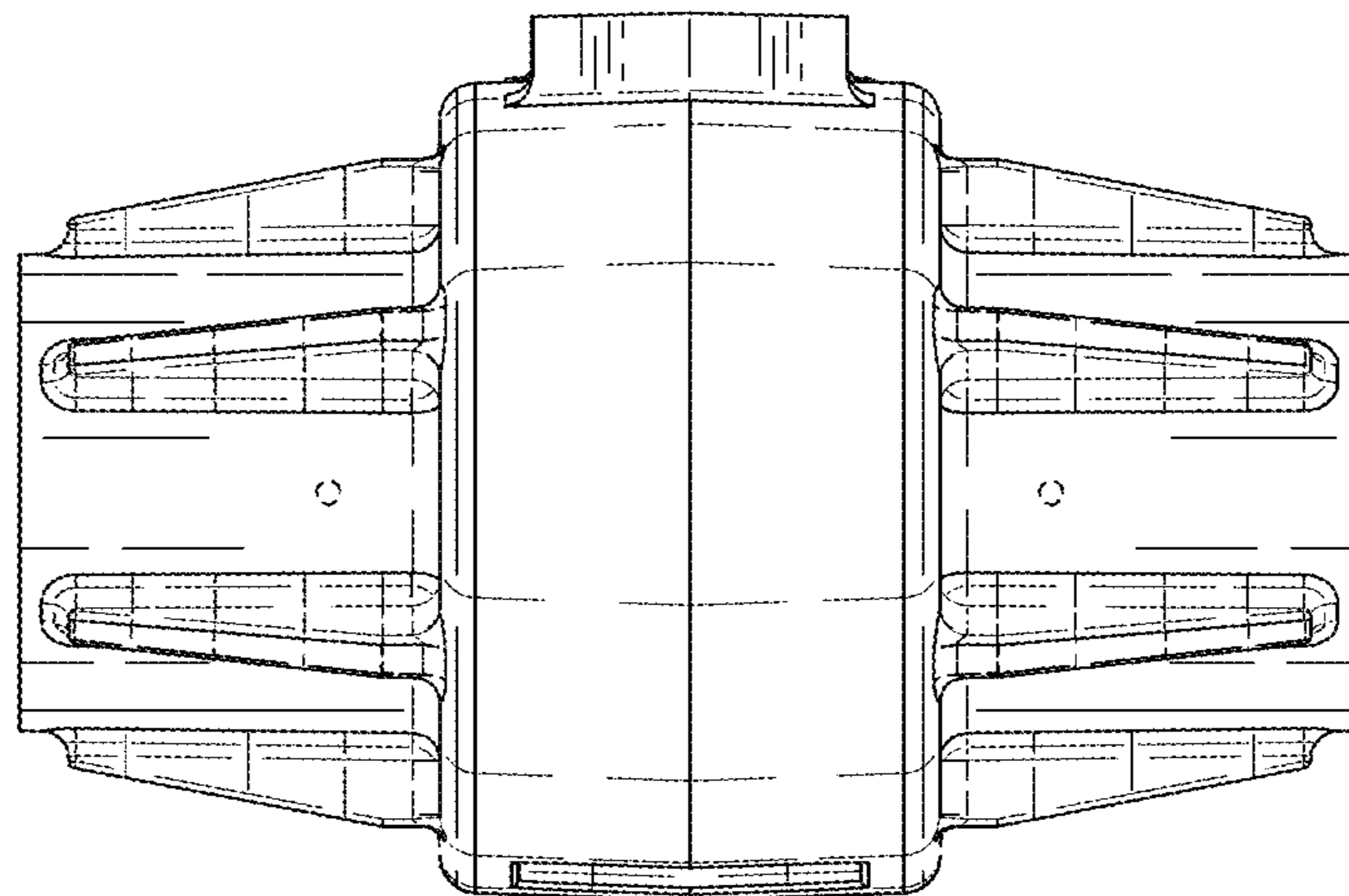


FIG. 10