



US00D818015S

(12) **United States Design Patent** (10) **Patent No.:** **US D818,015 S**
Karol et al. (45) **Date of Patent:** **** May 15, 2018**

(54) **WHEEL**
(71) Applicant: **DEKA Products Limited Partnership**,
Manchester, NH (US)
(72) Inventors: **Daniel S. Karol**, Southborough, MA
(US); **Jason M. Overson**, Manchester,
NH (US); **William D. Hunt**,
Gilmanton, NH (US); **Jacob W.**
Scarpaci, Manchester, NH (US)

D396,436 S 7/1998 Liska
D399,222 S 10/1998 Chang
D402,995 S 12/1998 Hakamata
D402,996 S 12/1998 Watanabe
D434,351 S 11/2000 Takamori
D435,001 S 12/2000 Takamori
D436,561 S 1/2001 Louden
D442,200 S 5/2001 Koch
D443,880 S 6/2001 Iida
6,283,076 B1 9/2001 Simpson

(Continued)

(73) Assignee: **DEKA Products Limited Partnership**,
Manchester, NH (US)

FOREIGN PATENT DOCUMENTS

(**) Term: **15 Years**

EP 1669254 A1 6/2006
JP 2002021981 A 1/2002

(Continued)

(21) Appl. No.: **29/572,423**

OTHER PUBLICATIONS

(22) Filed: **Jul. 27, 2016**

(51) **LOC (11) Cl.** **15-09**

#25 Sprockets—VEX Robotics, <http://www.vexrobotics.com/25-sprockets.html>, Innovation First International, Inc. © 2002-2016.

(52) **U.S. Cl.**
USPC **D15/138**

(Continued)

(58) **Field of Classification Search**
USPC D3/318; D12/211; D15/143, 148, 149;
D34/5, 10, 27

Primary Examiner — Patricia A Palasik

(74) *Attorney, Agent, or Firm* — Kathleen Chapman

CPC B62M 9/10; F16H 55/12; F16H 55/30
See application file for complete search history.

(57) **CLAIM**

The ornamental design of a wheel, as shown and described.

(56) **References Cited**

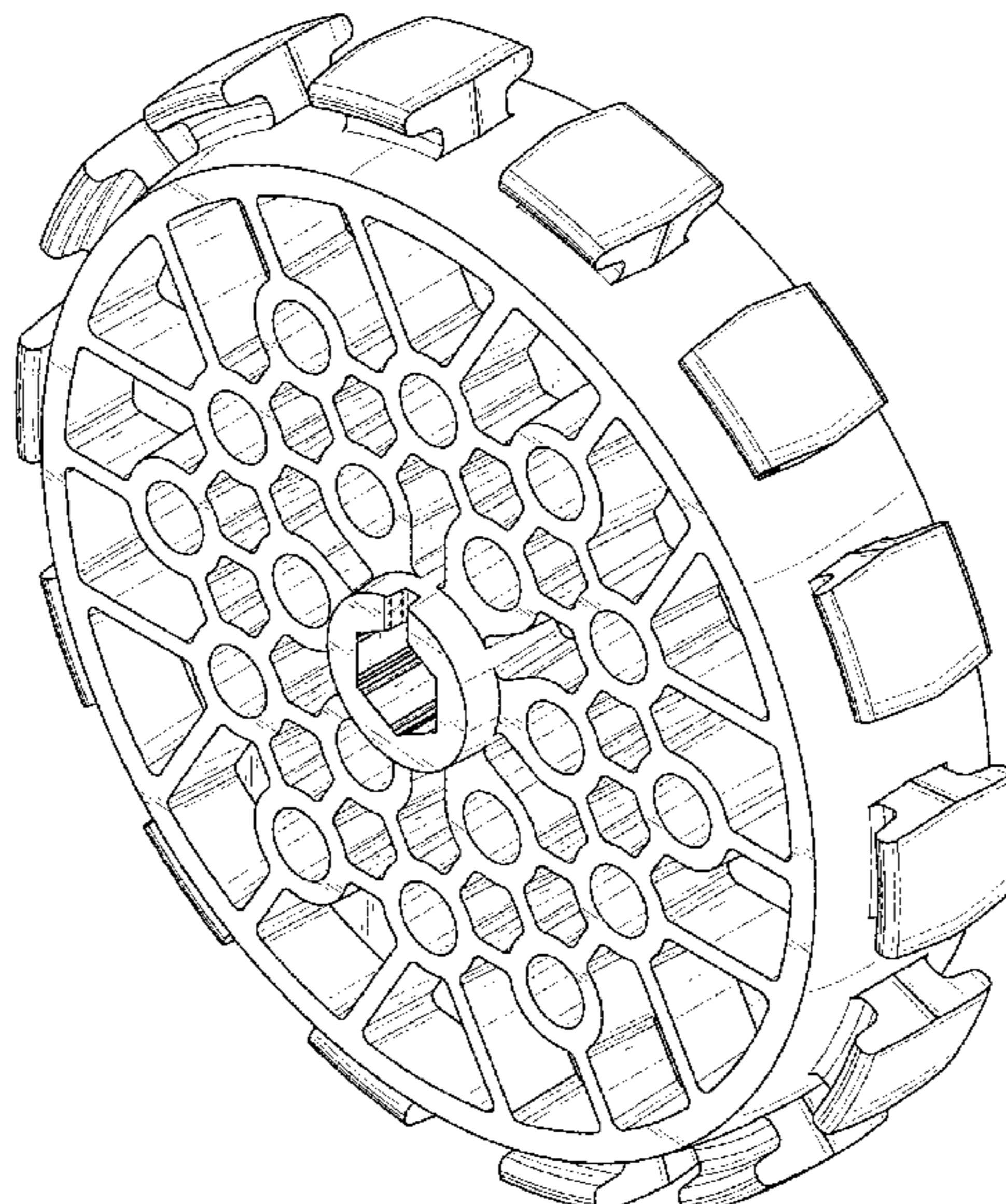
DESCRIPTION

U.S. PATENT DOCUMENTS

1,385,144 A 7/1921 Myers
2,791,911 A 5/1957 Wasko
2,811,819 A 11/1957 Heth
2,859,634 A 11/1958 Gustave
3,176,597 A 4/1965 Seaman
3,490,360 A 1/1970 Reynolds
D253,641 S 12/1979 Tritchka
4,545,230 A 10/1985 Jungesjo
4,630,498 A 12/1986 Santi
5,137,500 A 8/1992 Lhotak
5,251,711 A 10/1993 Meyer

FIG. 1 is a front, top, right side perspective view of the wheel of 60 mm in size, showing our new design; FIG. 2 is a front side elevational view thereof; FIG. 3 is a rear side elevational view thereof; FIG. 4 is a left side elevational view thereof; FIG. 5 is a right side elevational view thereof; FIG. 6 is a top plan view thereof; and, FIG. 7 is a bottom plan view thereof.

1 Claim, 5 Drawing Sheets



(56)

References Cited

U.S. PATENT DOCUMENTS

D451,526	S	12/2001	Lee	
D470,861	S	2/2003	Kohno	
D470,862	S	2/2003	Kohno	
D472,843	S	4/2003	Marquez-Pickering	
D473,902	S	4/2003	Panno	
6,722,221	B2	4/2004	Maxwell	
6,910,980	B2	6/2005	Hamilton	
D527,245	S	8/2006	Kelleghan	
D561,793	S	2/2008	Kanemitsu	
7,344,463	B2	3/2008	Reiter	
D585,345	S	1/2009	Maier	
D604,346	S	11/2009	Chiang	
D611,391	S	3/2010	Bourgeois	
7,914,408	B2	3/2011	Young	
D641,611	S	7/2011	Minayoshi	
D647,118	S	10/2011	Parker	
D668,527	S	10/2012	Noumi	
D670,304	S	11/2012	Shimozaki	
D670,305	S	11/2012	Shimozaki	
D675,130	S	1/2013	Senn	
D683,099	S	5/2013	Wright	
D683,616	S *	6/2013	Noumi	D8/356
D699,267	S *	2/2014	Nelson	D15/21
D702,411	S *	4/2014	Bromm	D34/10
D728,432	S	5/2015	Lin	
9,033,835	B2	5/2015	Blank	
D750,676	S	3/2016	Brown	
D765,551	S	9/2016	Baker, Jr.	
D767,375	S *	9/2016	Nakano	D8/360
D774,987	S	12/2016	Miles	
D776,896	S	1/2017	Paitchell	
D781,345	S	3/2017	Pratley	
D787,380	S *	5/2017	Karol	D12/123
D794,690	S *	8/2017	Sewell	D15/138
D796,147	S *	8/2017	Anderson	D34/27
D800,194	S *	10/2017	Sewell	D15/148
2008/0176688	A1	7/2008	Sakura	
2014/0206486	A1 *	7/2014	Fuchs	F16H 55/14 474/161

FOREIGN PATENT DOCUMENTS

JP	2007309488	A	11/2007
WO	WO 2007041291	A1	4/2007

OTHER PUBLICATIONS

#35 Sprockets—VEX Robotics, <http://www.vexrobotics.com/35-sprockets.html>, Innovation First International, Inc. © 2002-2016.
 1.125" Bearing Bore Gears—VEX Robotics, <http://www.vexrobotics.com/bearing-bore-gears.html>, Innovation First International, Inc. © 2002-2016.
 Andy Mark, Gears Search—Andy Mark Inc. (<http://www.andymark.com>) <http://www.andymark.com/Gears-s/85.htm> © 2017 AndyMark, Inc. (2 pgs.).
 AndyMark Sprocket Search—AndyMark Inc. (<http://www.andymark.com>) <http://www.andymark.com/Search-s/545.htm?Search=sprocket&Submit=©> 2017 AndyMark, Inc.
 AndyMark Wheel Search—Andy Mark In. (<http://www.andymark.com>) <http://www.andymark.com/wheel-s/229.htm> © 2017 AndyMark, Inc.
 AP Table Chain Gear Assembly, posted on [brunswickbowling.com](http://www.brunswickbowling.com), no posted date given, no production date given, [online], [site visited May 11, 2017], Available from Internet, <URL: <http://www.brunswickbowling.com/products/parts/gs-pinsetter/detail/table-chain-gear-assembly/>>.
 Ball Shifter & Dog Gears—VEX Robotics, <http://www.vexrobotics.com/shifter-gears.html>, Innovation First International, Inc. © 2002-2016.
 Camshaft Sprocket Chain Drive, posted on [dlbensinger.com](http://www.dlbensinger.com), no posted date given, no production date given, [online], [site visited

May 11, 2017], Available from Internet, <URL: https://www.dlbensinger.com/product_info.php?manufacturers_id=10&products_id=796> Gear Base Pack—VEX Robotics, <http://www.vexrobotics.com/liq-gear-g.html>, Innovation First International, Inc. © 2002-2016.
 Gearbox Front Sprocket, posted on [ebay.co.uk](http://www.ebay.co.uk), posted Nov. 29, 2016, no production date given, [online], [site visited May 11, 2017], Available from Internet, <URL: <http://www.ebay.co.uk/itm/NEW-Tag-Metals-MX-Honda-CR250R-88-07-CR500R-CRF450-Gearbox-Front-Sprocket-13T-/252592369100>>.
 Kawada Machine Cut Spur Gear, posted on [ebay.com](http://www.ebay.com), no posted date given, no production date given, [online], [site visited May 18, 2017], Available from Internet, <URL: http://www.ebay.com/itm/Kawada-Machine-Cut-Spur-Gear-64P-78T-1-10-RC-Cars-Touring-Drift-On-Road-SM6478-/142068863379?_trksid=p2385738.m2548.14275>.
 MakeBlock Wheel Search—MakeBlock Co., Ltd (<http://www.makeblock.com>) <http://www.makeblock.com/index.php?route=product/search&search=wheel> © 2013-2017 Makeblock Co., Ltd.
 Makeblock, Gears Search—Makeblock Co., Ltd. (<http://www.makeblock.com>) http://www.makeblock.com/index.php?route=product/category&path=69_99 © 2013-2017 Makeblock Co., Ltd. (1pg.).
 Martin Roller Chain Sprocket, posted on [amazon.com](http://www.amazon.com), earliest review posted Nov. 18, 2012, no production date given, [online], [site visited May 11, 2017], Available from Internet, <URL: https://www.amazon.com/Martin-Roller-Sprocket-Bored-Single/product-reviews/B004JXWH8C/ref=cm_cr_getr_d_paging_btm_3?ie=UTF8&reviewerType=avp_only_reviews&sortBy=r>.
 Modern Robotics, Wheel Search—Modern Robotics, Inc. (<http://www.modernroboticsinc.com>) <http://www.modernroboticsinc.com/search?q=wheel> © 2017 Modern Robotics, Inc.
 Modern Robotics, Gears Search—Modern Robotics, Inc. (<http://www.modernroboticsinc.com>) <http://www.modernroboticsinc.com/search?q=gear> © 2017 Modern Robotics, Inc.
 Pitsco Tetrax, Gears Search—Tetrax Robotics (<http://www.tetraxrobotics.com>) <http://www.tetraxrobotics.com/Search/gears?st=0> © 2017 Pitsco, Inc. (1 pg.).
 Robinson Racing Spur Gear, 72T; NRU, TMX RRP8572, posted on [amazon.com](http://www.amazon.com), earliest reviewed Jan. 19, 2015, no production date given, [online], [site visited May 18, 2017], Available from Internet, <URL: https://www.amazon.com/Robinson-Racing-Steel-Spur-Gear/dp/B0006N6N7KJref=sr_1_9?ie=UTF8&qid=1495154175&sr=8-9&keywords=spur+gear>.
 Roller chain sprockets and platewheels, posted [fbchain.com](http://www.fbchain.com), no posted date given, no production date given, [online], [site visited May 11, 2017], Available from Internet, <URL: <http://www.fbchain.com/sprockets>>.
 Servocity Robotics Wheel Search—Servocity Robotics (<https://www.servocity.com>) <https://www.servocity.com/catalogsearch/result?q=wheel> © 1999-2016 Robotzone, LLC, ServoCity® is a registered trademark of Robotzone, LLC.
 Servocity, Gears Search—Servocity (<https://www.servocity.com>) © 1999-2016 Robotzone, LLC—ServoCity® is a registered trademark of Robotzone, LLC (2 pgs.).
 SparkFun Electronics Sprocket Search—SparkFun Electronics (<https://www.sparkfun.com>) <https://www.sparkfun.com/search/results?term=sprocket> (Publication date unknown but assumed to be prior to the filing date) SparkFun Gears Search—SparkFun Electronics (<https://www.sparkfun.com>) <https://www.sparkfun.com/search/results?term=gears> (Publication date unknown but assumed to be prior to filing date).
 SparkFun Wheel Search—SparkFun Electronics (<https://www.sparkfun.com>) <https://www.sparkfun.com/search/results?term=wheel> (Publication date unknown but assumed to be prior to the filing date.).
 Sprocket Hub Gear Guard Kit, posted on [ebay.com](http://www.ebay.com), no posted date given, no production date given, [online], [site visited May 11, 2017], Available from Internet, <URL: <http://www.ebay.com/itm/191673594110?rmvSB=true>>.

(56)

References Cited

OTHER PUBLICATIONS

Sprockets & Chain—VEX Robotics, <http://vexrobotics.com/sprockets-and-chain.html>, Innovation First International, Inc. © 2002-2016.

Sprockets & Chain Kit—VEX Wiki, https://www.vexrobotics.com/wiki/Sprocket_and_Chain_Kit, Innovation First International, Inc. © 2002-2016.

Tetrix Pitsco Wheel Search—Pitsco Inc. (<http://www.servocity.com>) <http://www.tetrixrobotics.com/Search/wheel?st=0> © 2017 Pitsco, Inc.

Tsubaki Sprockets, posted on frasers.com, no posted date given, no production date given [online], [site visited May 11, 2017], Available from Internet, <URL: <http://www.frasers.com/supplier/tsubaki-of-canada-ltd-16573675102/product-category/chain-sprockets-10647377260>>.

United 22mm Spline Drive Metro Sprocket, posted on acebm.com, posted Sep. 17, 2013, no production date given, [online], [site

visited May 11, 2017], Available from Internet, <URL: <http://www.acebm.com/sprockets-bmx-c-60/united-22mm-spline-drive-metro-sprocket-p-3633.html>>.

Vex Pro Gears—Vex Robotics (<https://www.vexrobotics.com>) <https://www.vexrobotics.com/vexpro/motion/vexpro-gears> © 2002-2017, VEX Robotics, Inc. is a subsidiary of Innovation First International, Inc. (2 pages).

Vex Robotics Gears Search—Vex Robotics (<https://www.vexrobotics.com>) <https://www.vexrobotics.com/catalogsearch/result/?q=gears> © 2002-2017. Vex Robotics, Inc. is a subsidiary of Innovation First International, Inc.

Vex Robotics Sprocket Search—Vex Robotics, Inc. (<https://www.vexrobotics.com>) <https://www.vexrobotics.com/catalogsearch/result/?q=sprocket> (Publication date unknown but assumed to be prior to the filing date.).

Vex Robotics Wheel Search—Vex Robotics (<https://www.vexrobotics.com>) <https://www.vexrobotics.com/catalogsearch/result/?q=wheel> © 2002-2017. Vex Robotics, Inc. is a subsidiary of Innovation First International, Inc.

* cited by examiner

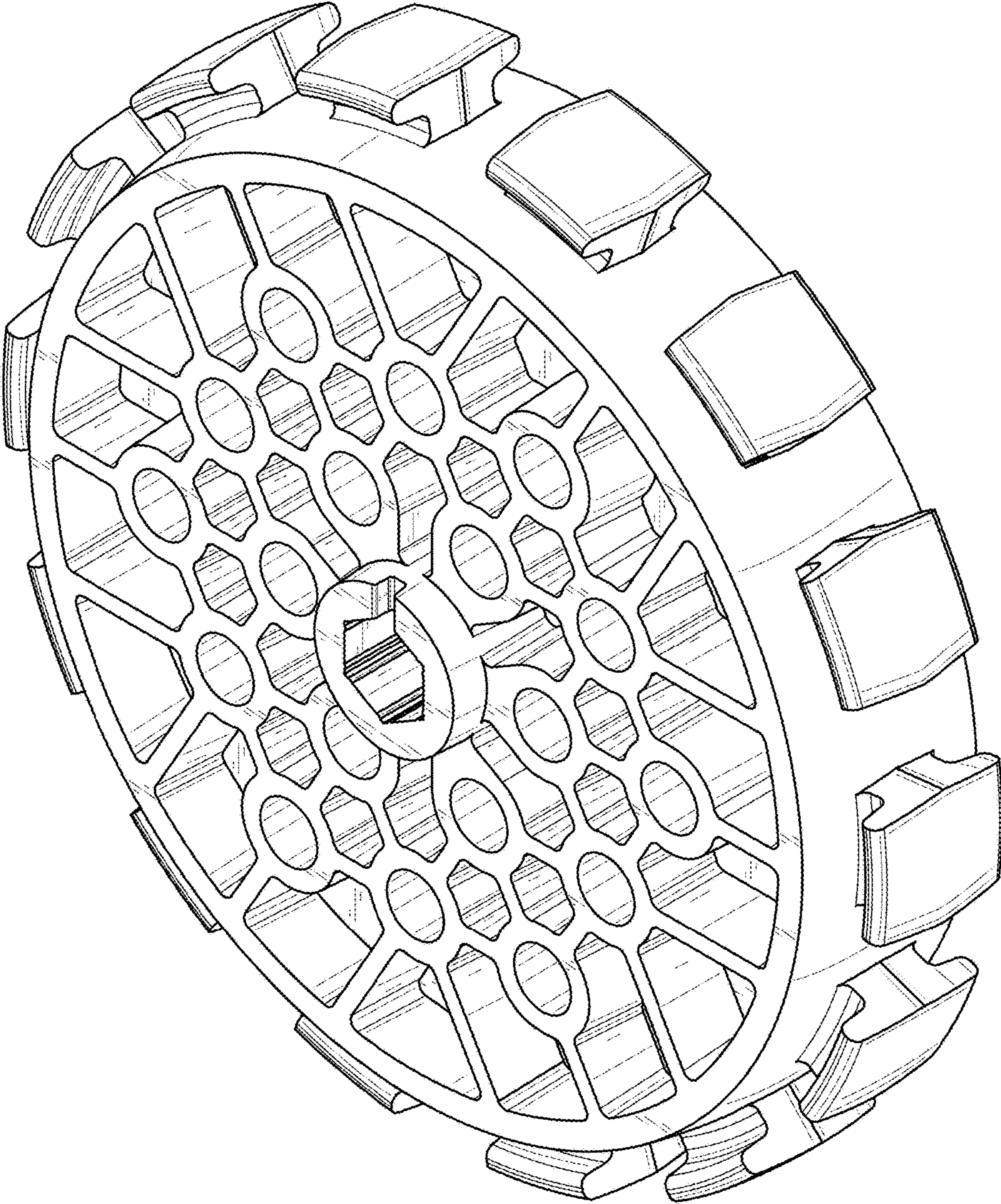


FIG. 1

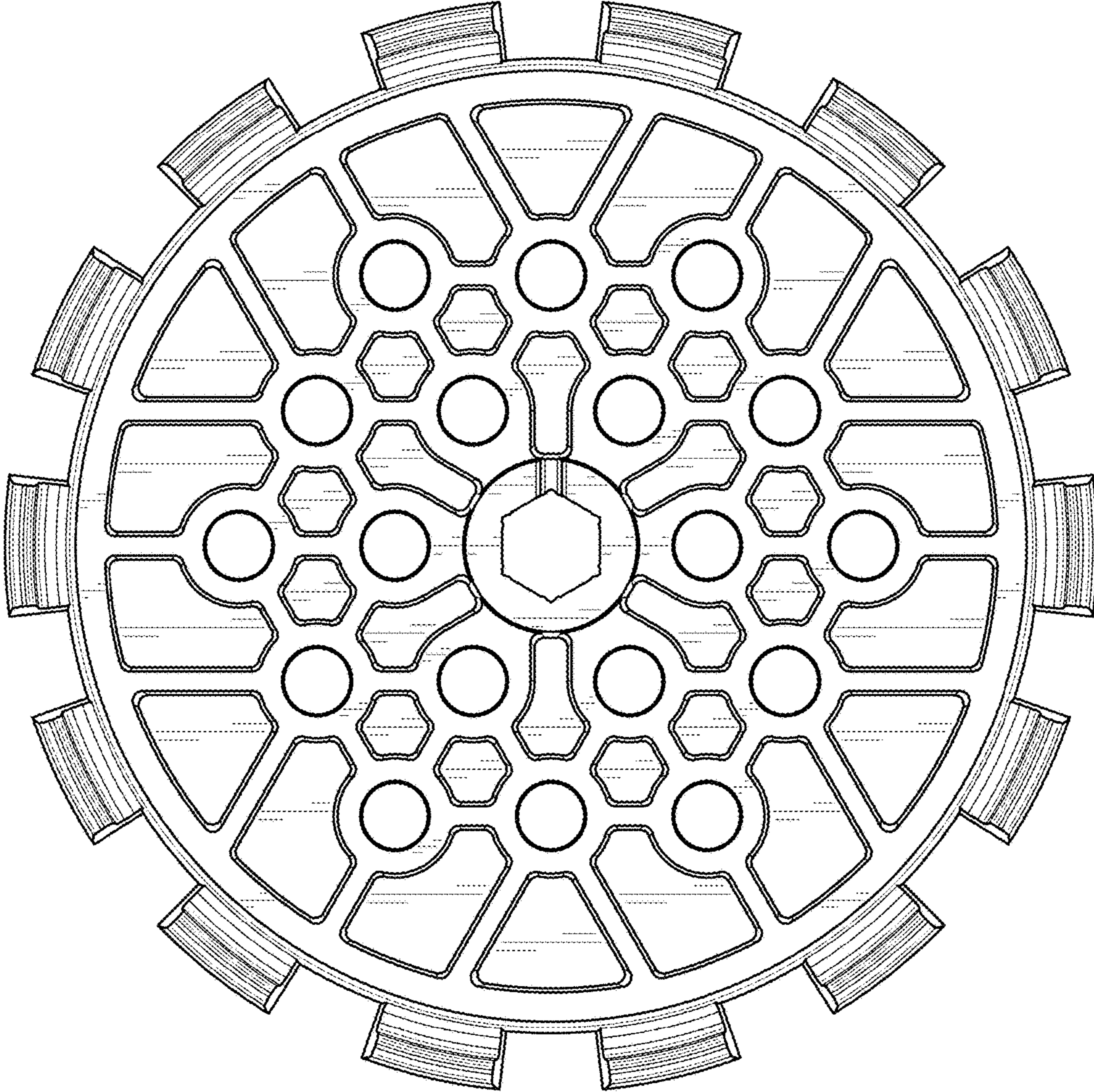


FIG. 2

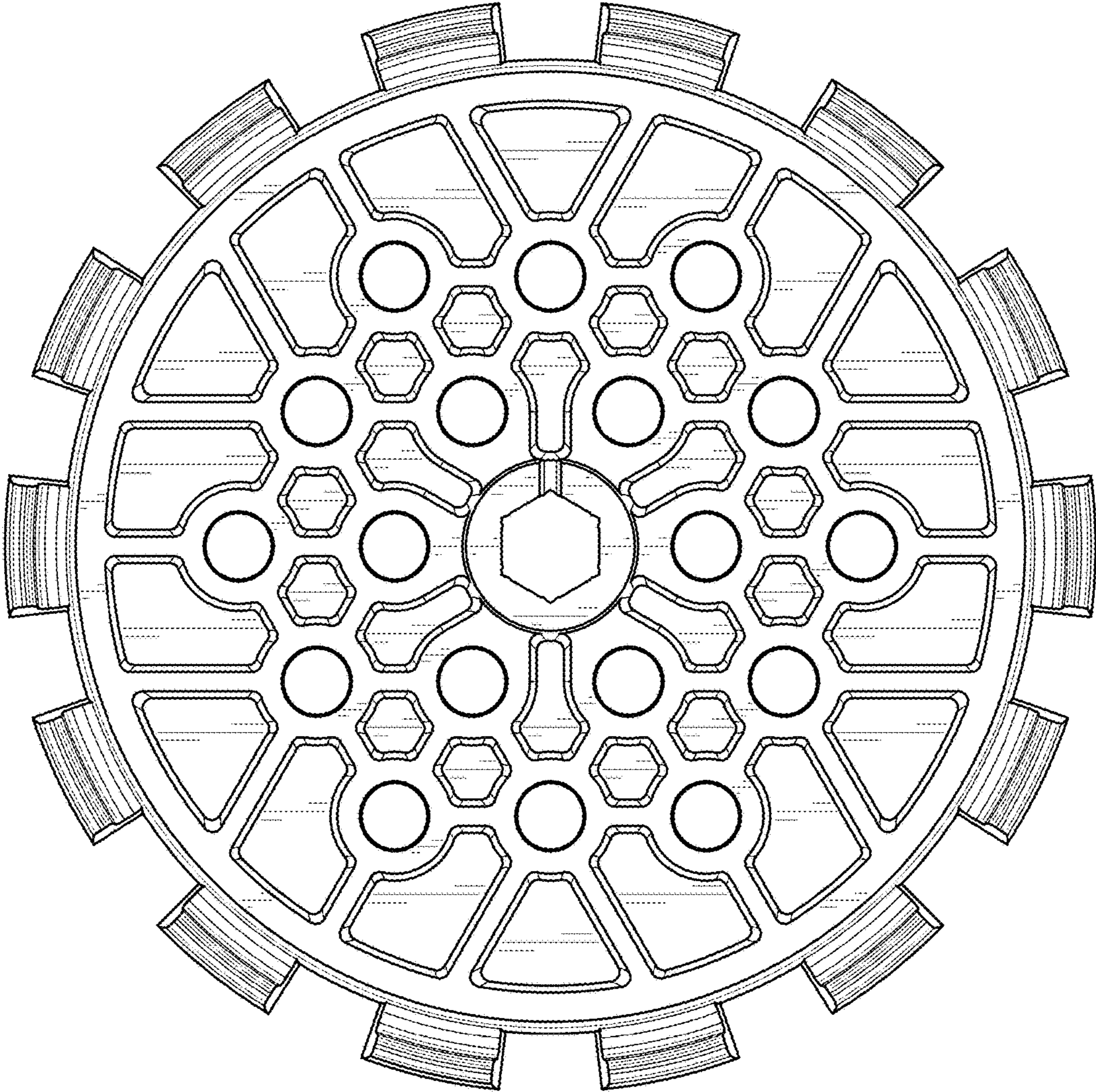


FIG. 3

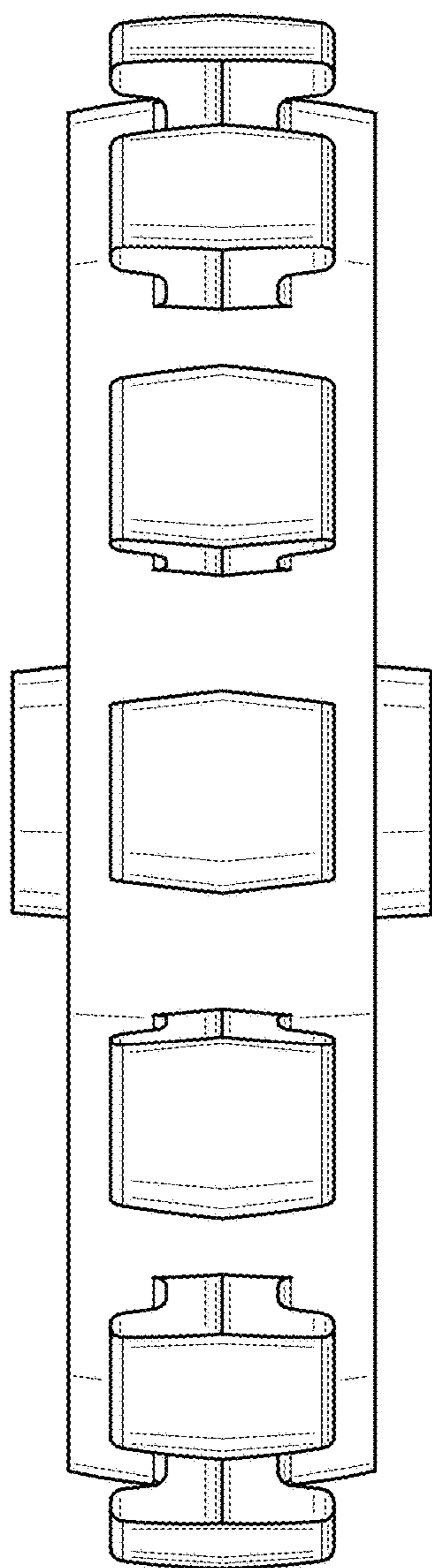


FIG. 4

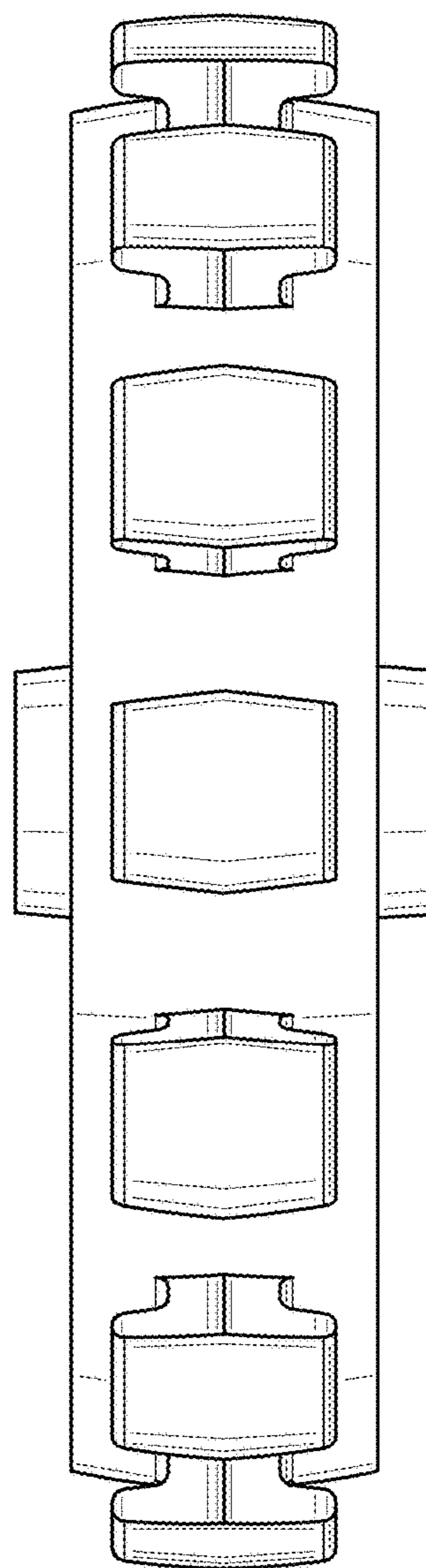


FIG. 5

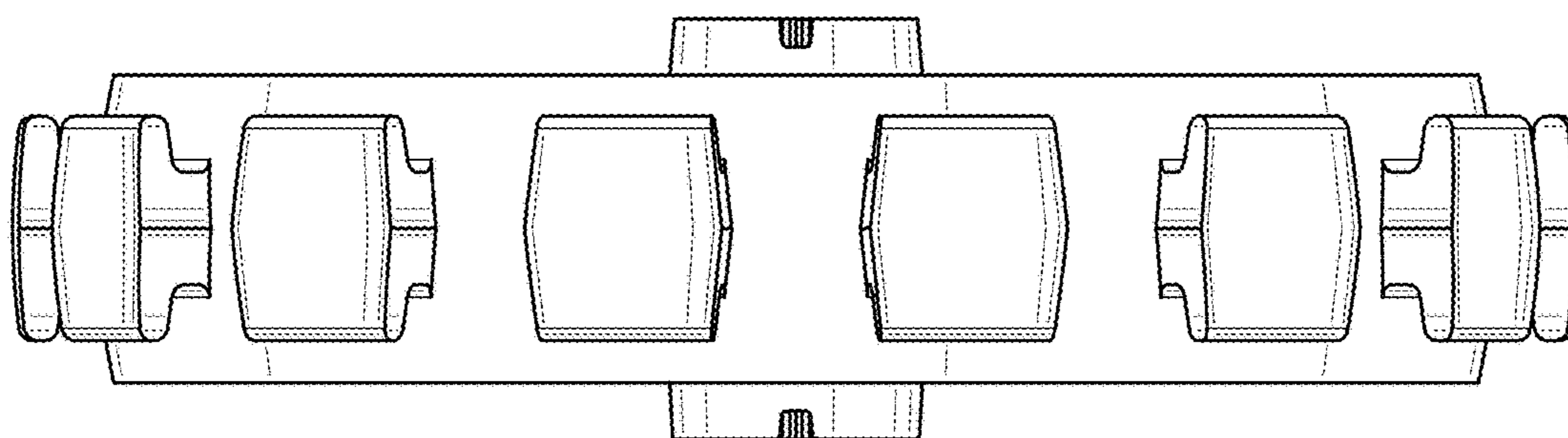


FIG. 6

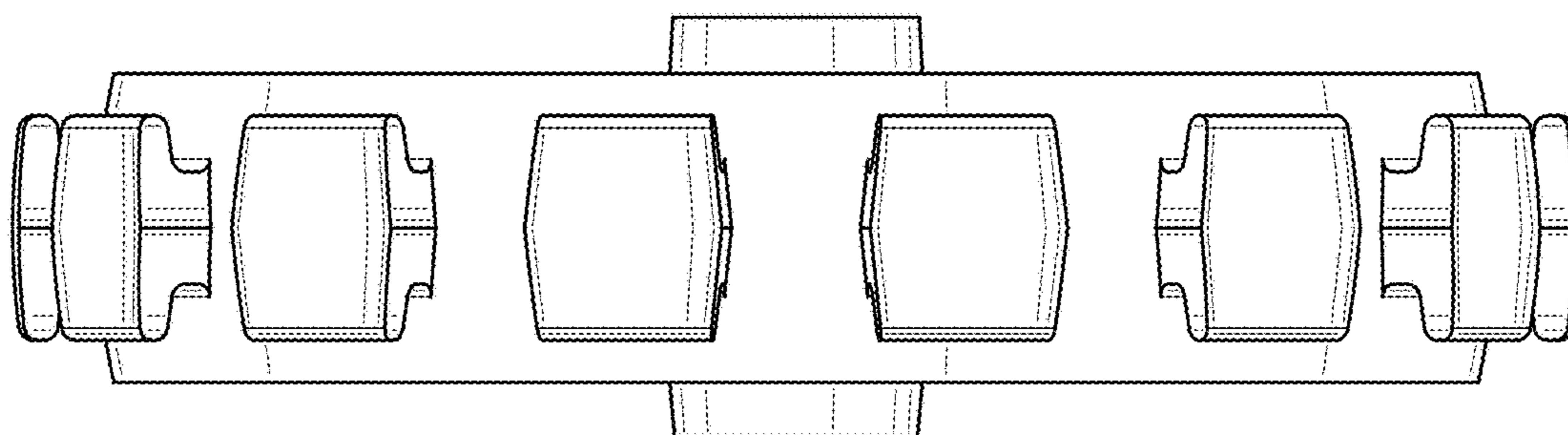


FIG. 7