



US00D818009S

(12) **United States Design Patent**
Shen

(10) **Patent No.:** **US D818,009 S**

(45) **Date of Patent:** **** May 15, 2018**

- (54) **BOBBIN**
- (71) Applicant: **SOUTHWELL TEXTILE CO., LTD.**,
Tainan (TW)
- (72) Inventor: **Hsiu-Ling Shen**, Tainan (TW)
- (73) Assignee: **SOUTHWELL TEXTILE CO., LTD.**,
Tainan (TW)

(**) Term: **15 Years**

(21) Appl. No.: **29/583,865**

(22) Filed: **Nov. 9, 2016**

(51) **LOC (11) Cl.** **15-06**

(52) **U.S. Cl.**
USPC **D15/78**

(58) **Field of Classification Search**
USPC D15/66-78
CPC D05B 43/00; D05B 57/00-57/08; D05B
57/16-57/30; D05B 59/00-59/04; B65H
55/04; B65H 75/12
See application file for complete search history.

(56) **References Cited**

U.S. PATENT DOCUMENTS

- 957,825 A * 5/1910 Walsh 242/118.3
- 2,222,039 A * 11/1940 Mahoney B65H 55/04
242/118.3
- 3,087,447 A * 4/1963 Adam D05B 57/26
112/231
- D231,960 S * 7/1974 Naugle D3/24

- 3,860,194 A * 1/1975 Roscher B65H 75/12
242/118.1
- D235,338 S * 6/1975 Hamilton D3/23
- D250,338 S * 11/1978 LaPierre D15/78
- D282,312 S * 1/1986 Dick D3/24
- D292,643 S * 11/1987 Dick D15/78
- D313,605 S * 1/1991 Saito D15/78
- D399,857 S * 10/1998 Kanemichi D15/138
- D441,772 S * 5/2001 Polzer D15/138
- D649,564 S * 11/2011 Nishi D15/72
- D741,378 S * 10/2015 Yokoyama D15/72

* cited by examiner

Primary Examiner — Mitchell I. Siegel
(74) *Attorney, Agent, or Firm* — WPAT, PC

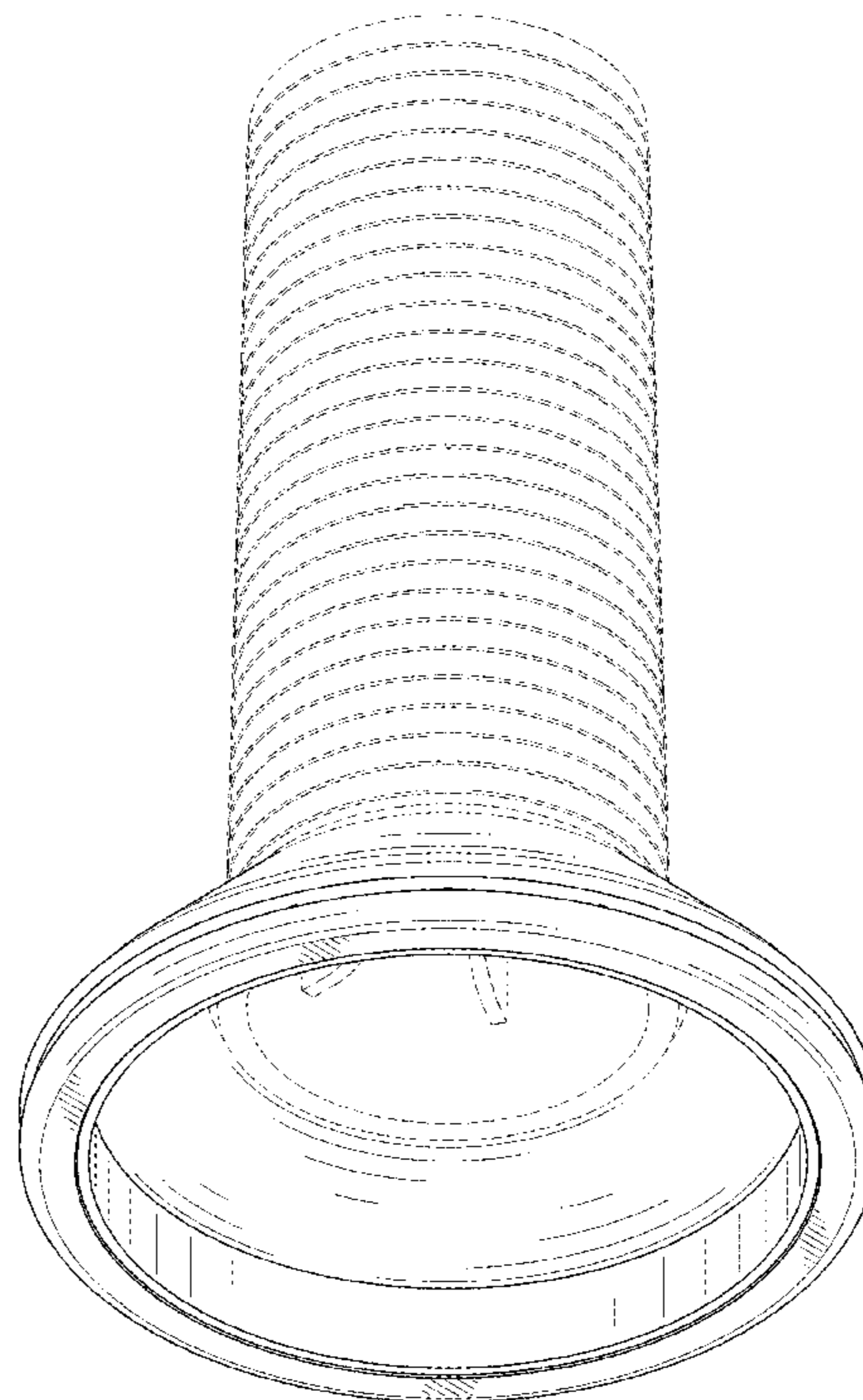
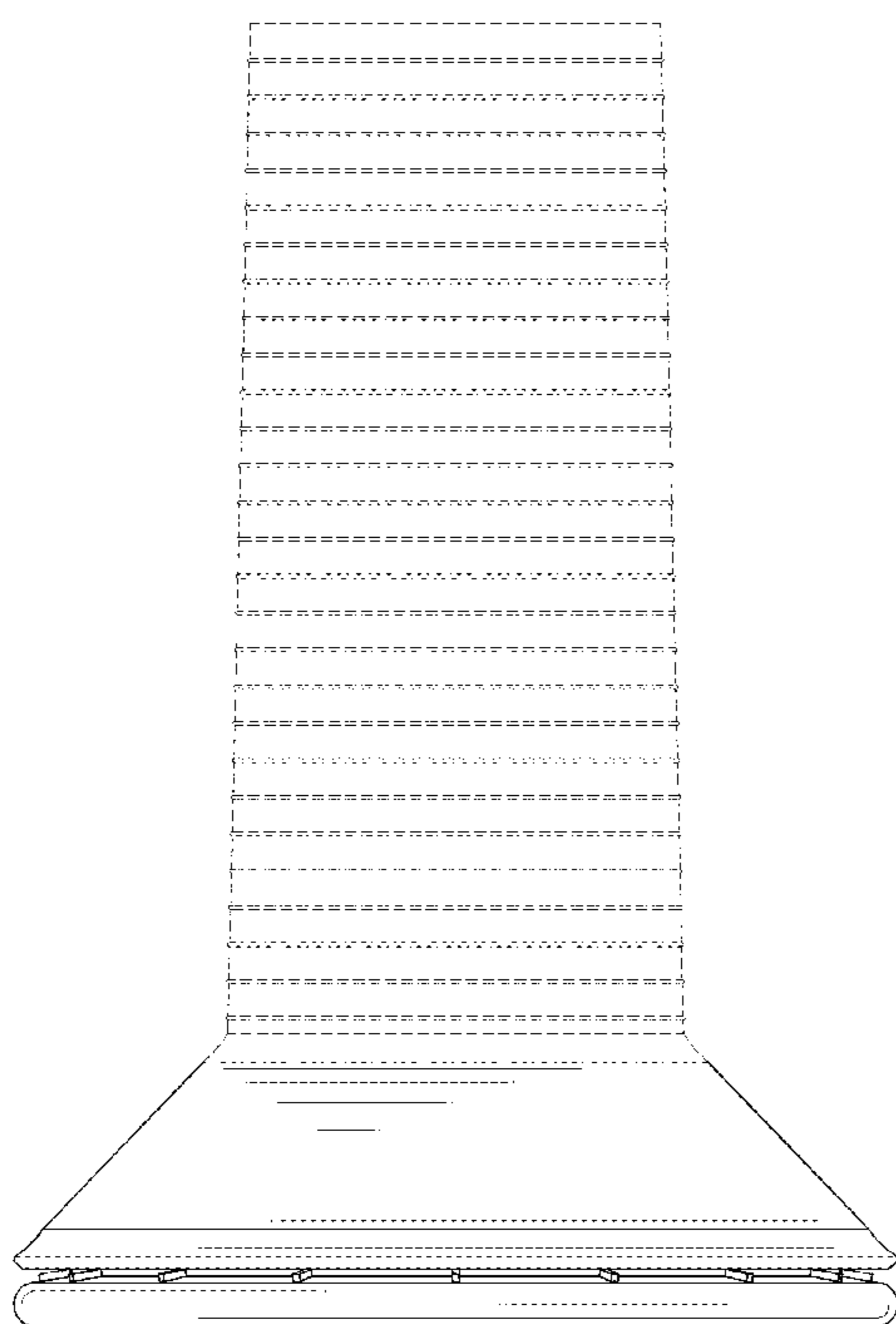
(57) **CLAIM**

The ornamental design for a bobbin, as shown and described.

DESCRIPTION

FIG. 1 is a perspective view of a bobbin showing my new design;
FIG. 2 is a front view thereof;
FIG. 3 is a rear view thereof;
FIG. 4 is a left side view thereof;
FIG. 5 is a right side view thereof;
FIG. 6 is a top view thereof;
FIG. 7 is a bottom view thereof; and,
FIG. 8 is another perspective view thereof.
The portions of the Figures shown in broken lines depict environmental subject matter, are for illustration only and form no part of the claimed design.

1 Claim, 8 Drawing Sheets



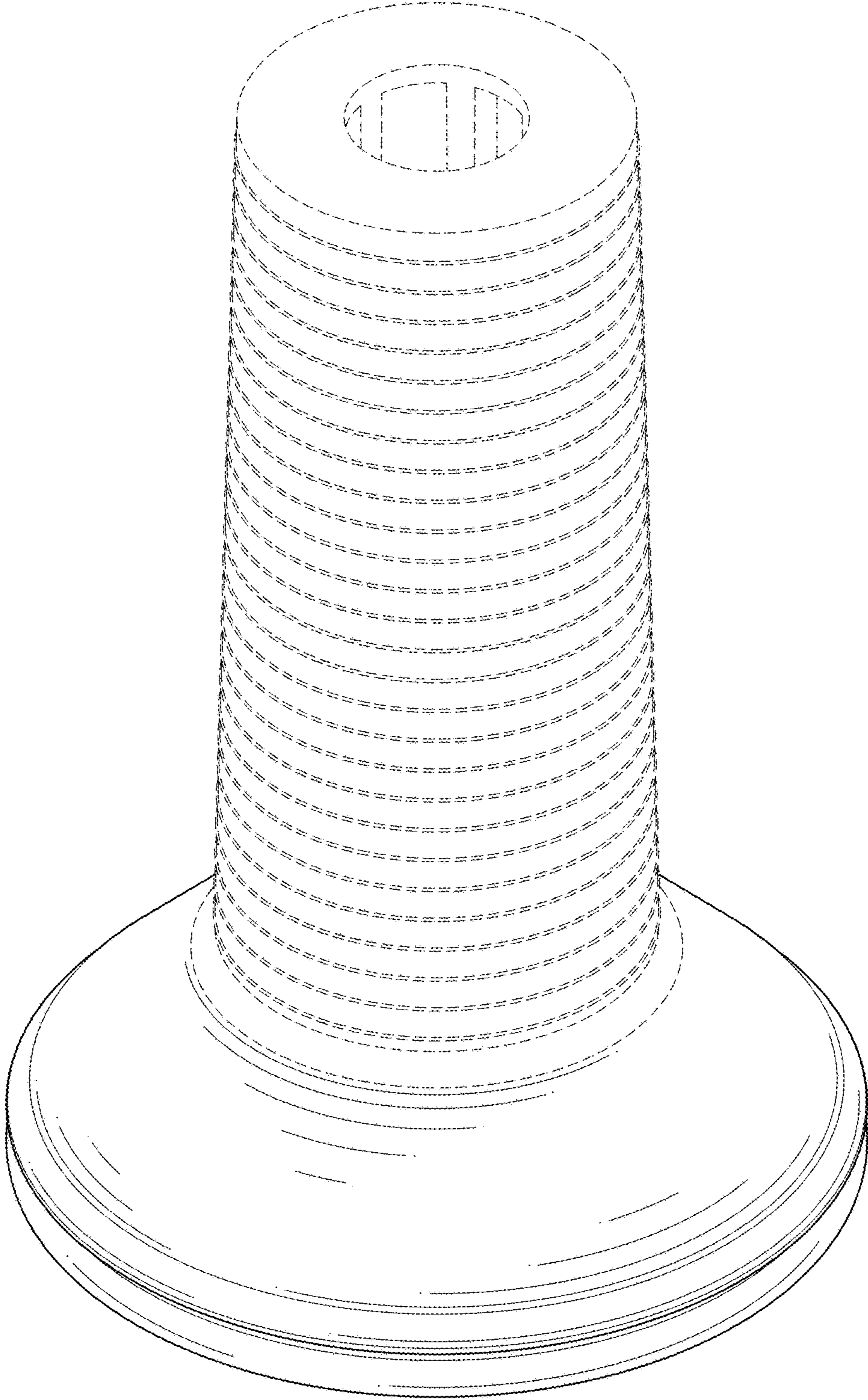


FIG. 1

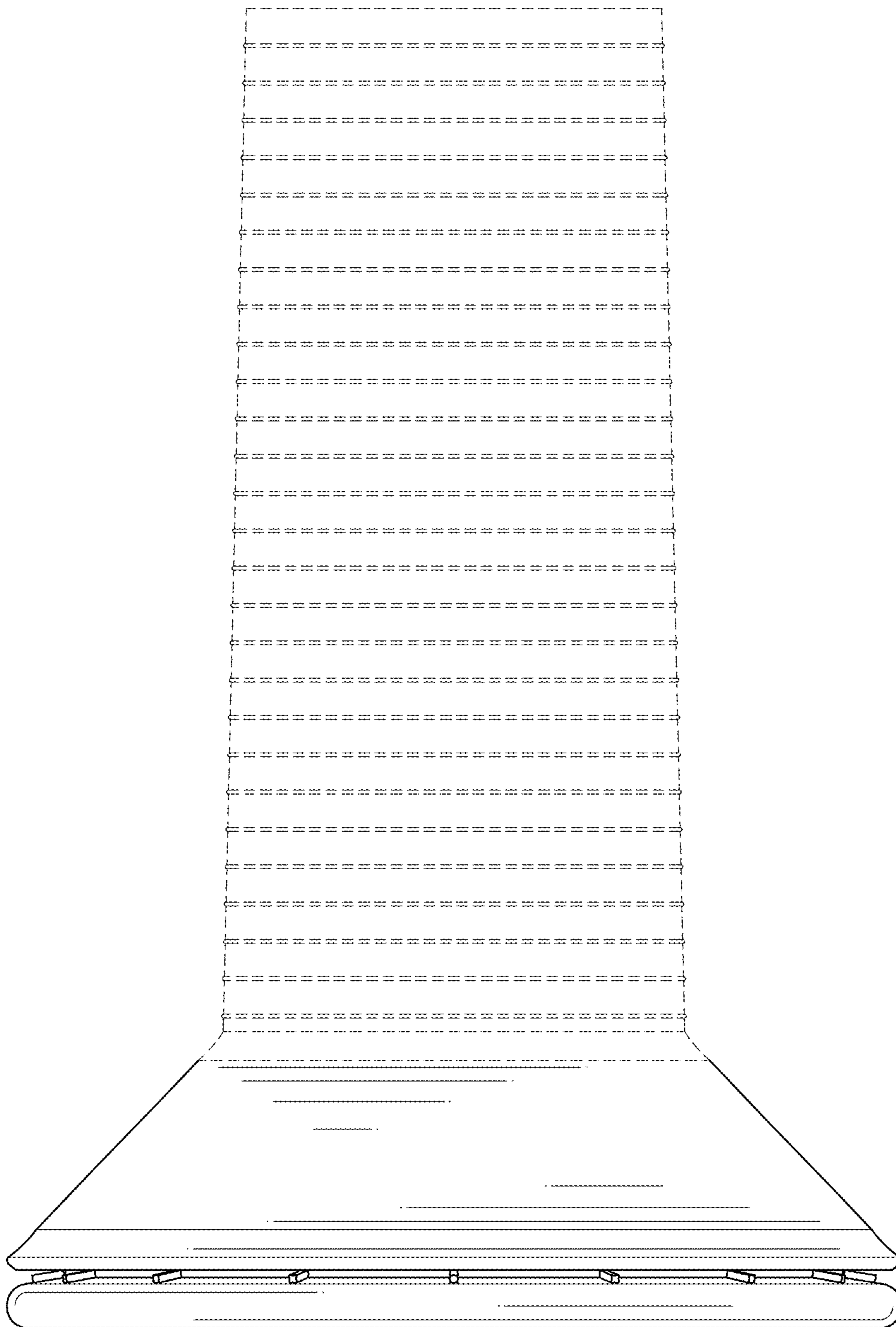


FIG. 2

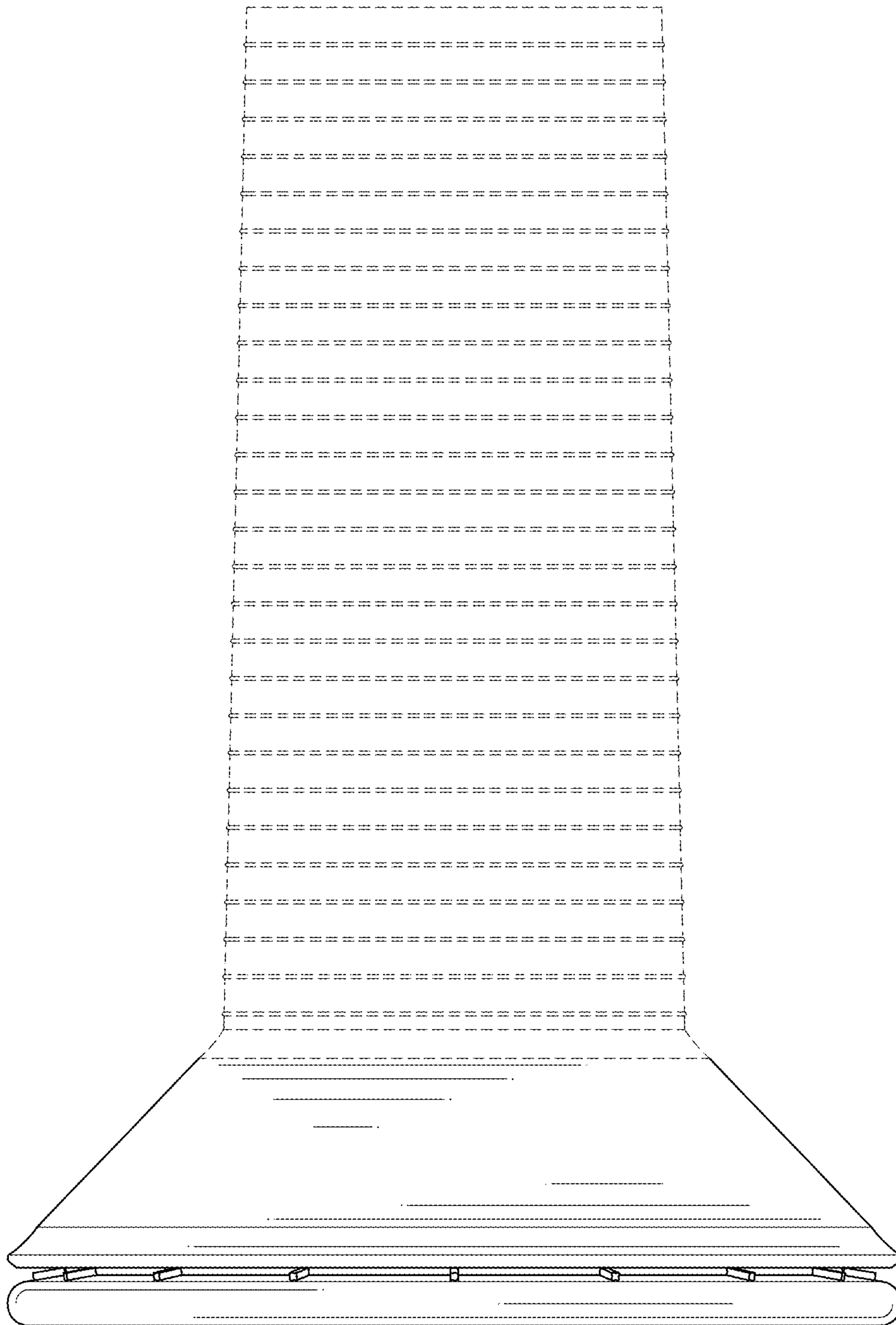


FIG. 3

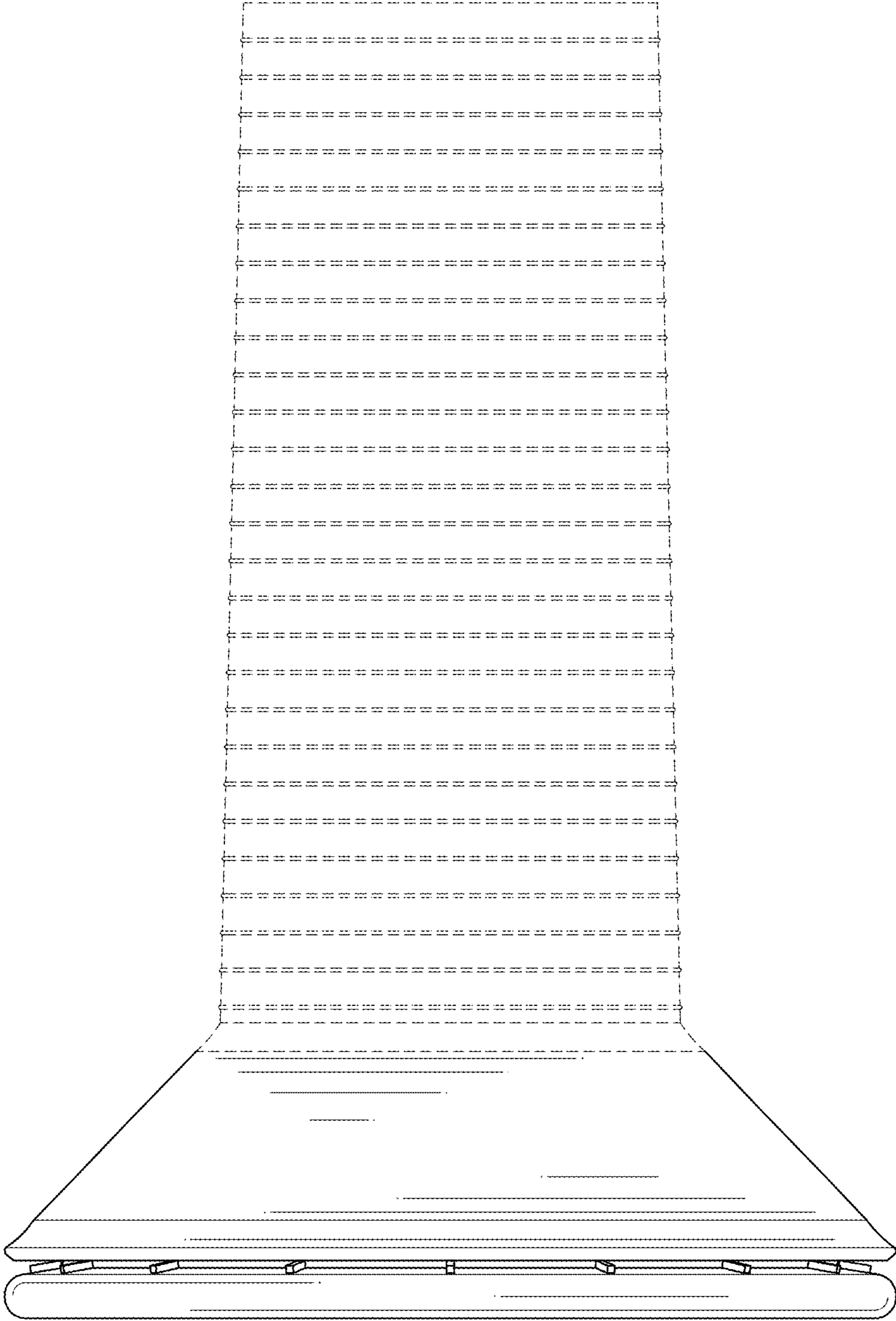


FIG. 4

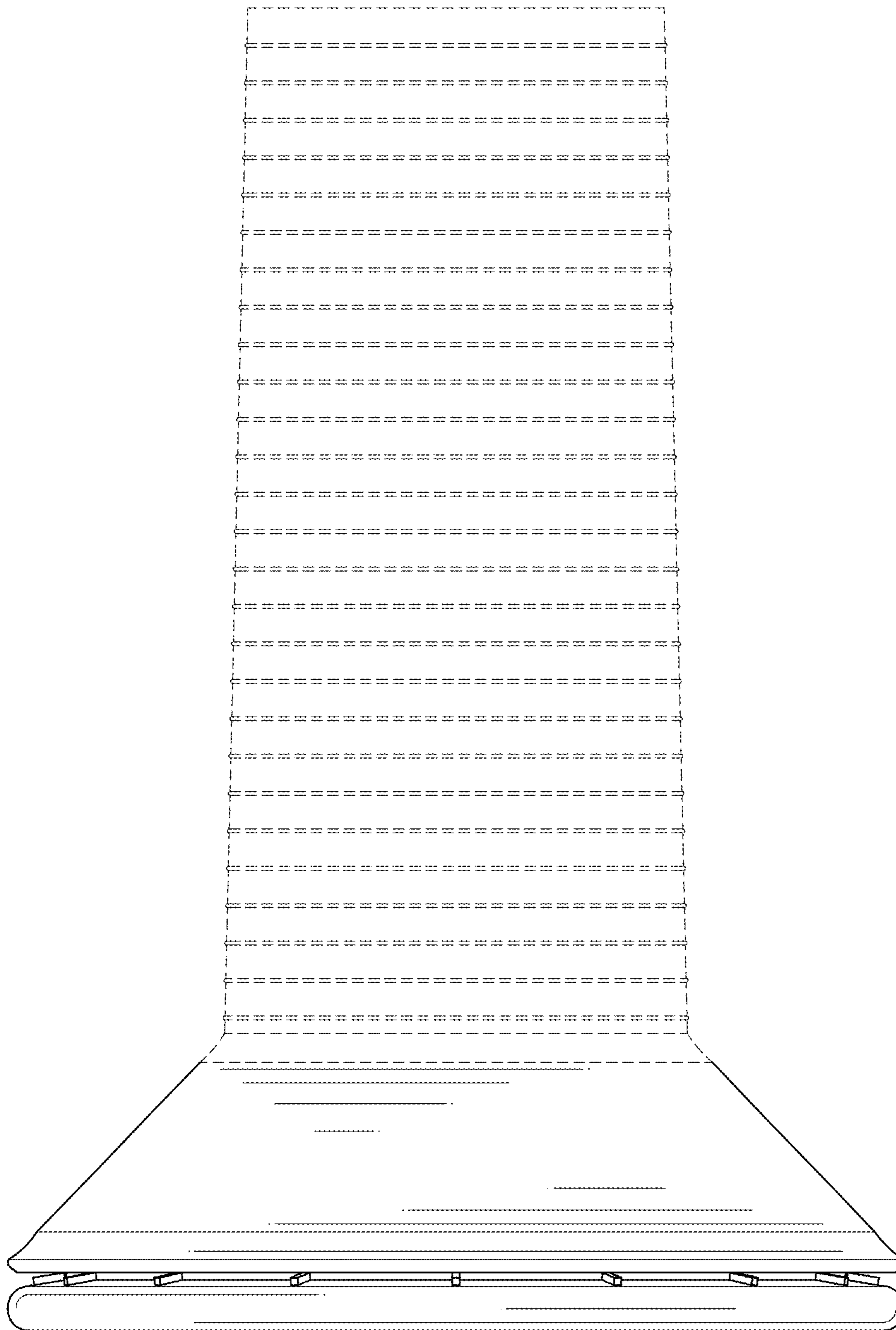


FIG. 5

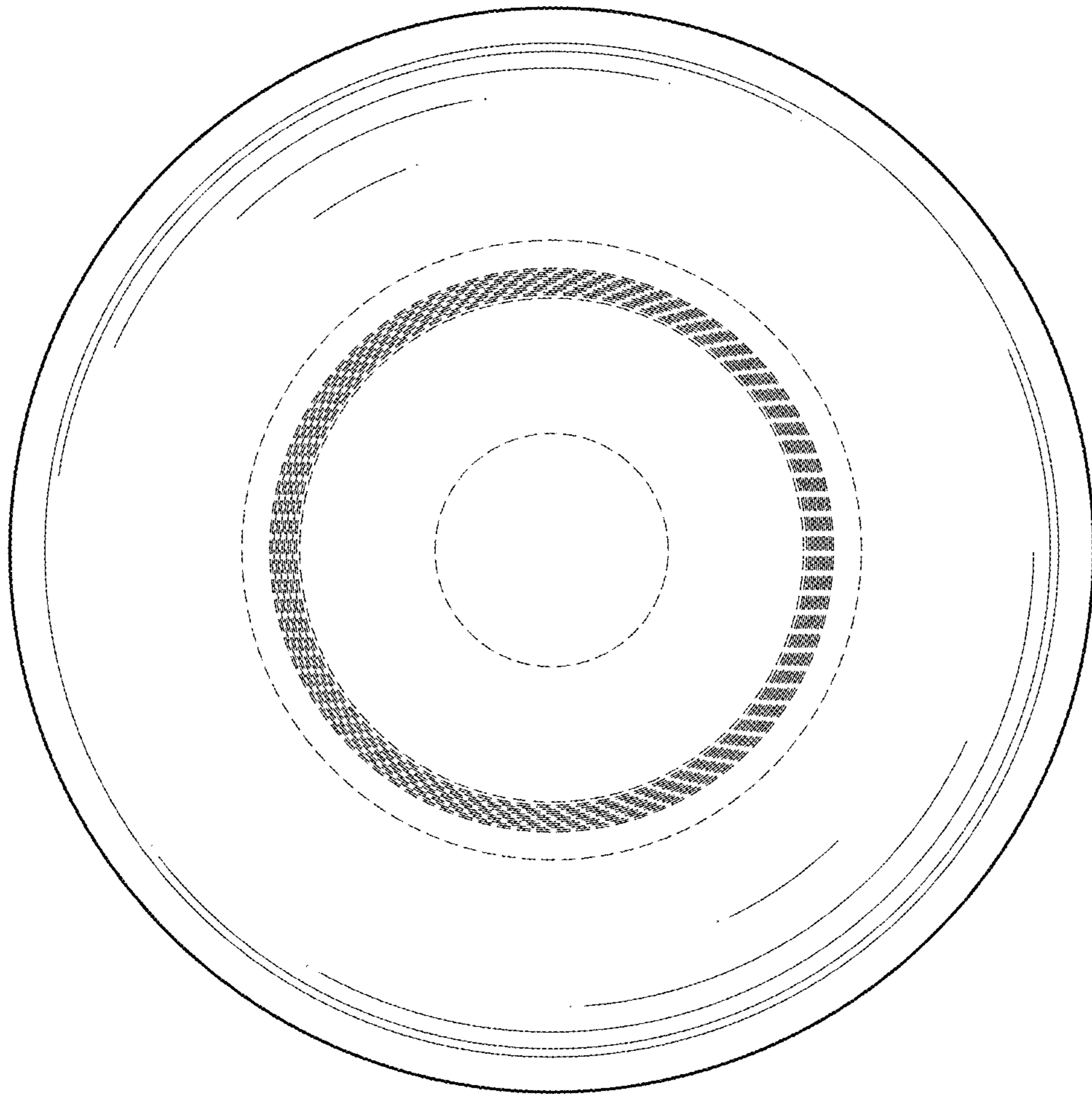


FIG. 6

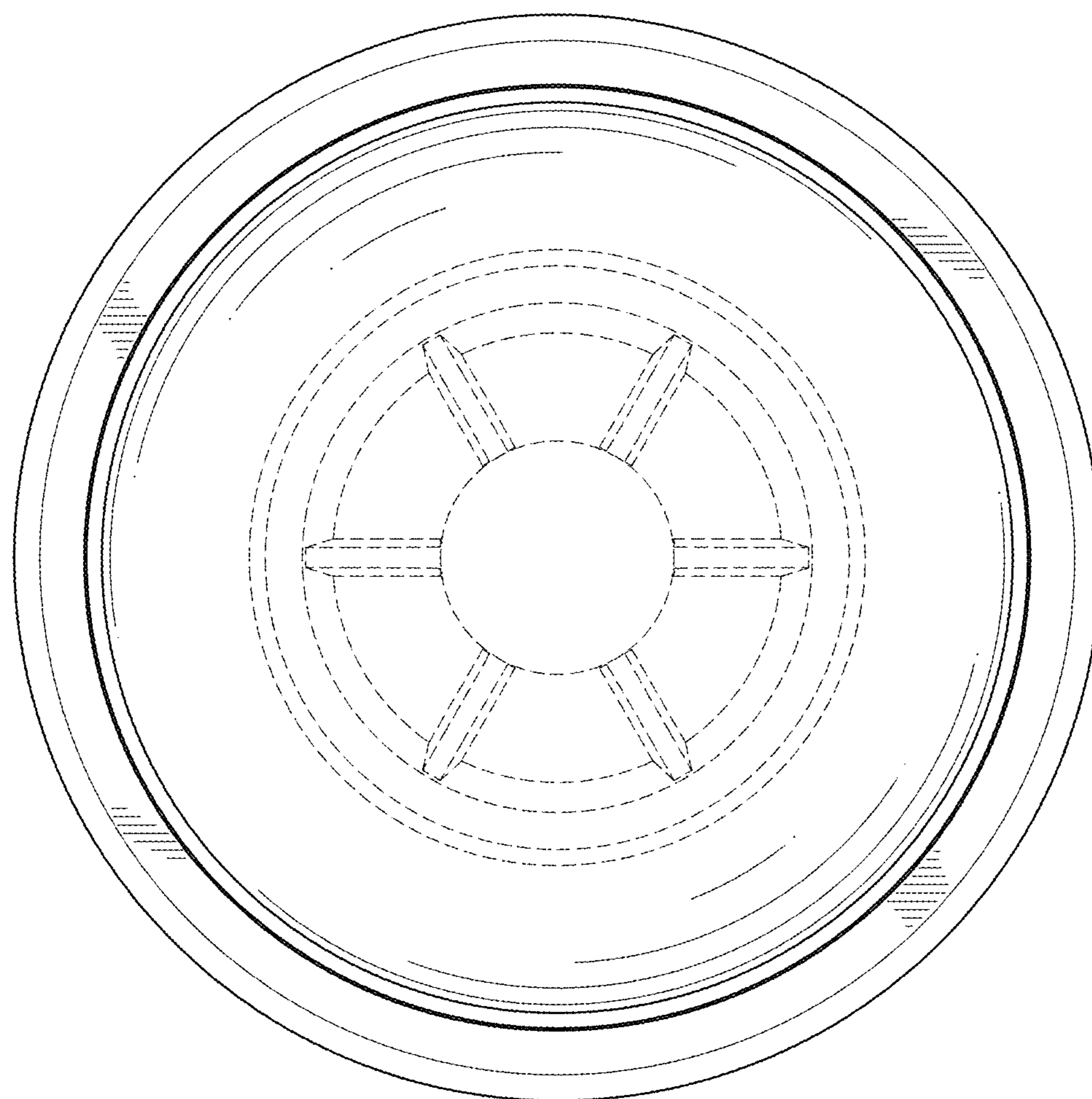


FIG. 7

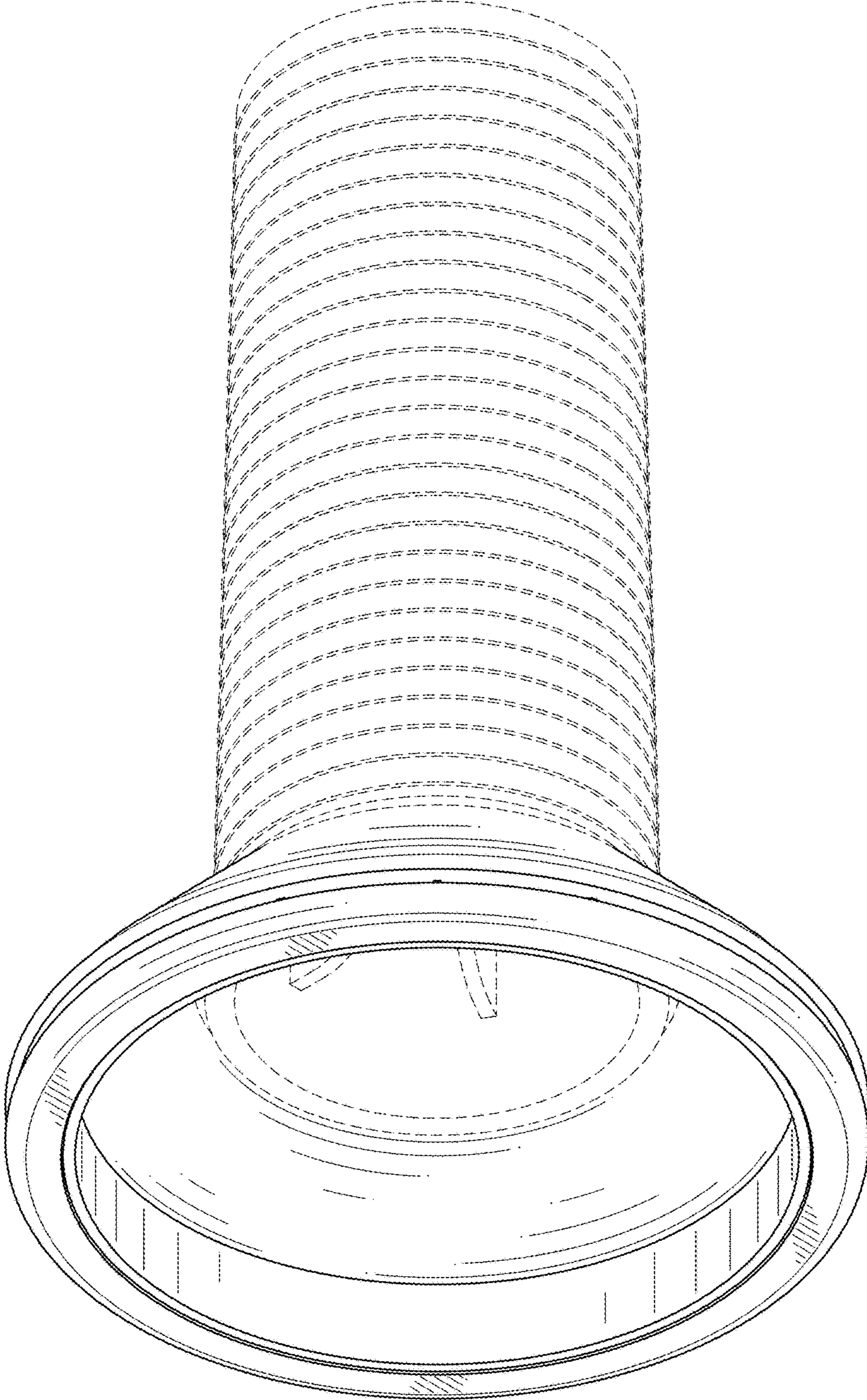


FIG. 8