



US00D818006S

(12) **United States Design Patent**
Shultz et al.

(10) **Patent No.:** **US D818,006 S**

(45) **Date of Patent:** **** May 15, 2018**

- (54) **LINE STRIPER**
- (71) Applicant: **Graco Minnesota Inc.**, Minneapolis, MN (US)
- (72) Inventors: **Mark D. Shultz**, Fridley, MN (US); **David M. Larsen**, Albertville, MN (US); **James C. Schroeder**, Ramsey, MN (US)
- (73) Assignee: **Graco Minnesota Inc.**, Minneapolis, MN (US)
- (**) Term: **15 Years**
- (21) Appl. No.: **29/591,083**
- (22) Filed: **Jan. 17, 2017**
- (51) **LOC (11) Cl.** **15-04**
- (52) **U.S. Cl.**
USPC **D15/22**
- (58) **Field of Classification Search**
USPC D15/23, 26, 27
CPC E02F 3/40; E02F 3/30; E02F 3/32; A01F 15/0816
See application file for complete search history.

- 7,370,575 B2 * 5/2008 Kraus A01D 89/006 100/73
- D600,253 S * 9/2009 Jacobs D15/10
- 7,743,699 B1 * 6/2010 Freeman A01F 15/0816 100/73
- D626,972 S * 11/2010 Hoover D15/27
- D668,686 S 10/2012 Lins et al.
- 9,078,398 B2 * 7/2015 Lang A01F 15/0825

OTHER PUBLICATIONS

Graco Inc. "LineLazer IV" Repair—Parts List Revised Sep. 2011, 312195G.
Toro GrandStand Stand-On Mower, web page printed to pdf Mar. 23, 2012.

* cited by examiner

Primary Examiner — John Windmuller
Assistant Examiner — Benjamin M Weeks

(57) **CLAIM**

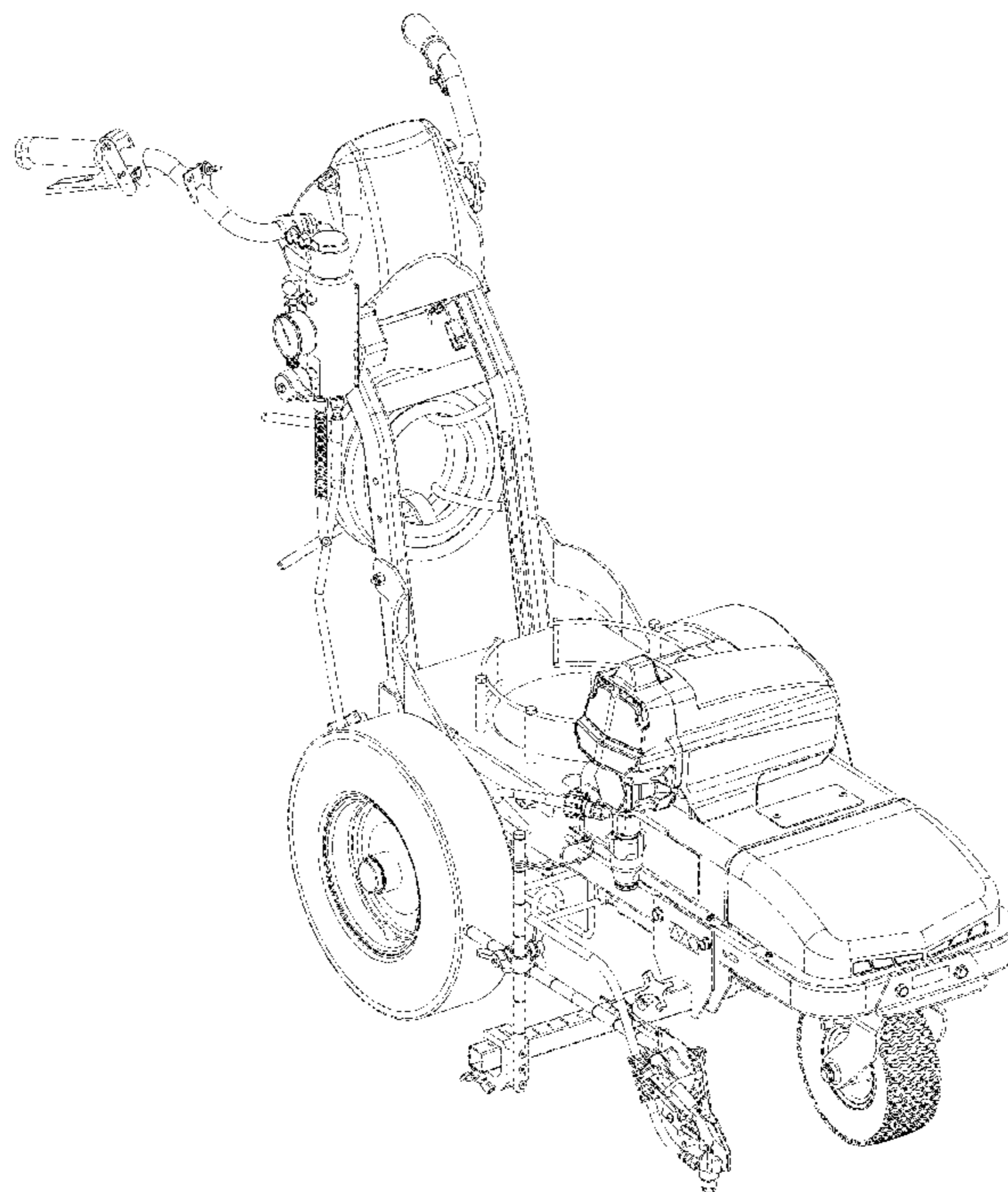
The ornamental design for a line striper, as shown and described.

DESCRIPTION

FIG. 1 is a front isometric view of a line striper;
FIG. 2 is a rear isometric view thereof;
FIG. 3 is a front view thereof,
FIG. 4 is a right view thereof;
FIG. 5 is a rear view thereof;
FIG. 6 is a left view thereof;
FIG. 7 is a top view thereof; and,
FIG. 8 is a bottom view thereof.

1 Claim, 8 Drawing Sheets

- (56) **References Cited**
U.S. PATENT DOCUMENTS
3,107,799 A * 10/1963 Briscoe E02F 3/30 414/726
4,918,910 A * 4/1990 Sheehan A01F 15/0816 100/45
6,109,008 A * 8/2000 Staheli A01F 15/0816 56/10.2 B



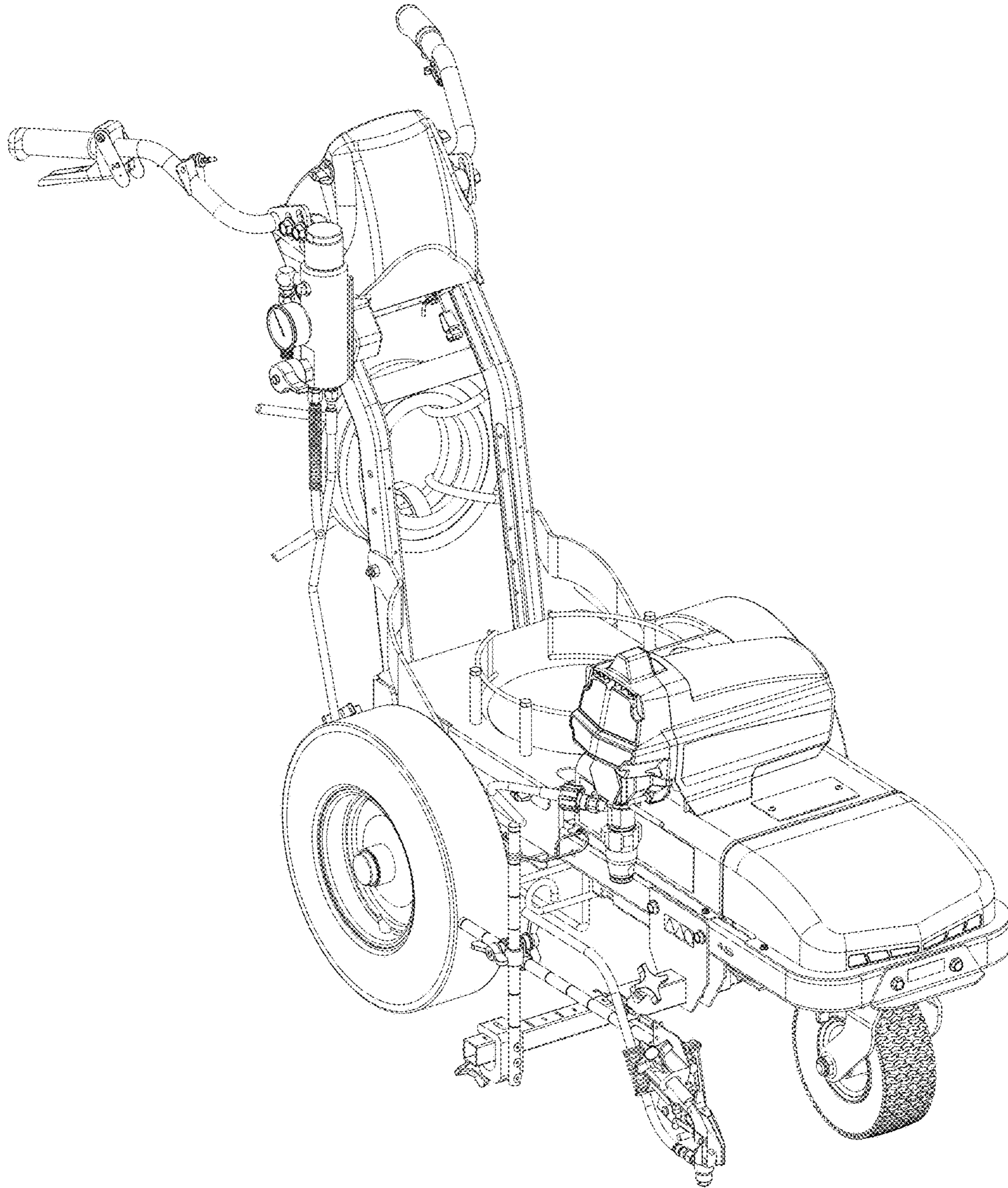


FIG. 1

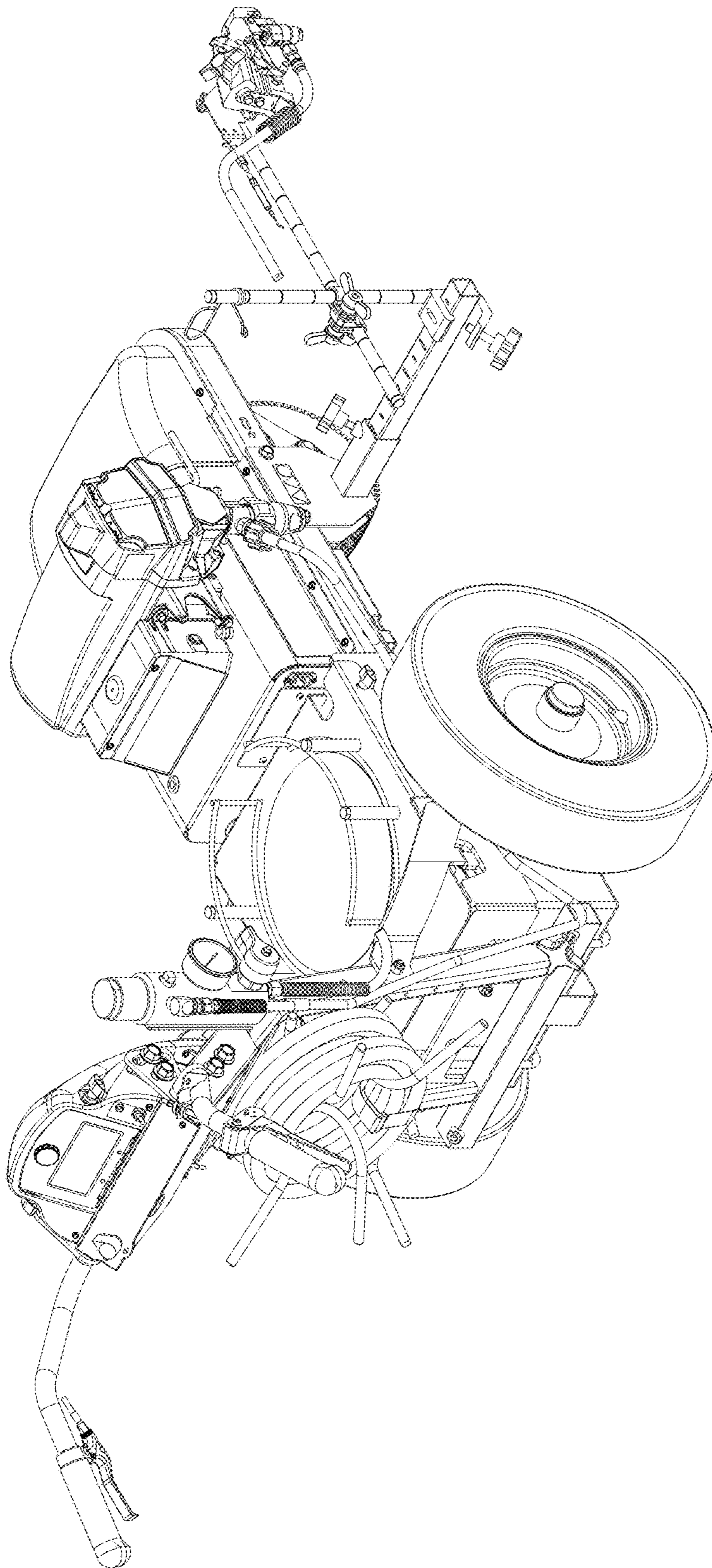


FIG. 2

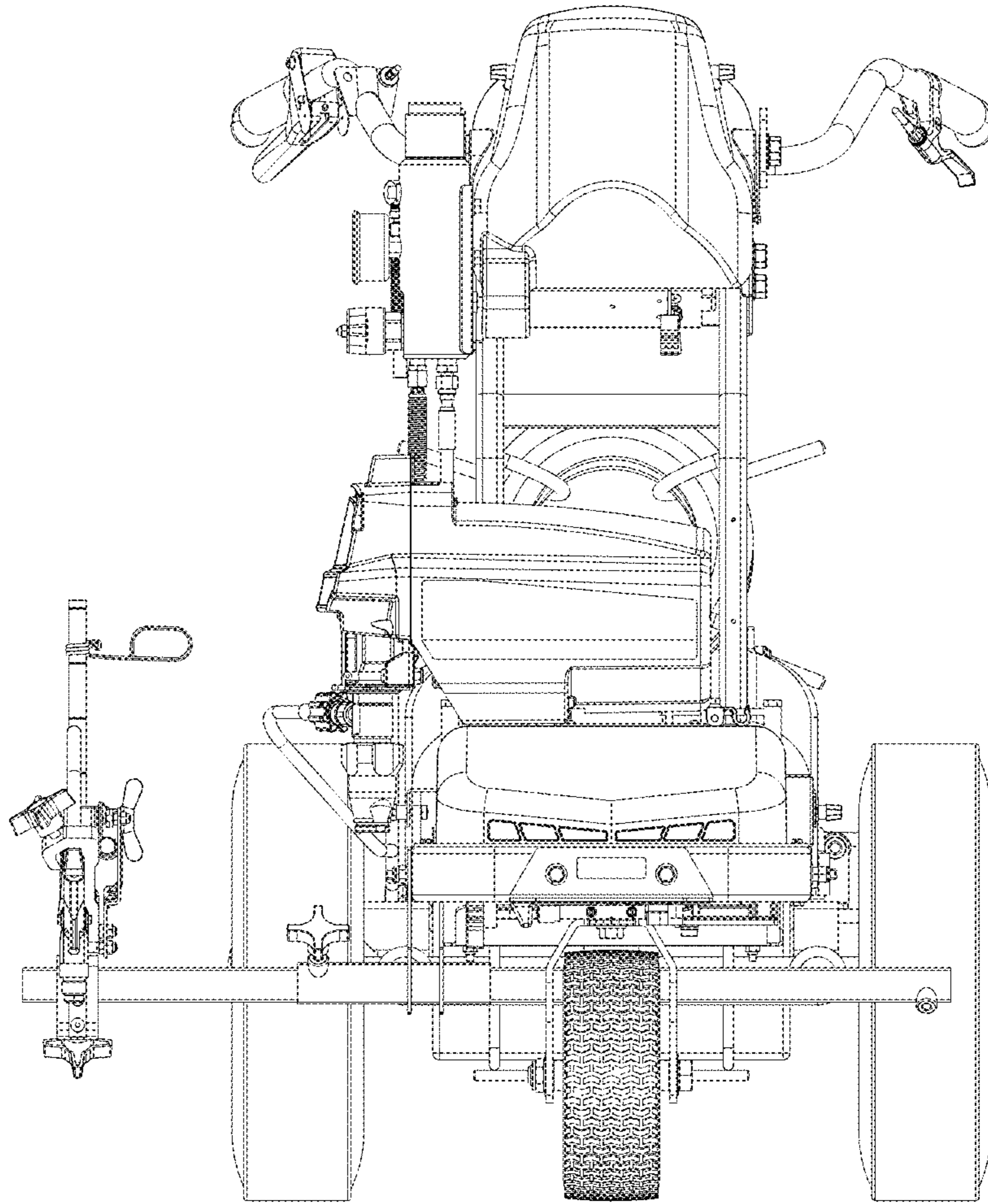


FIG. 3

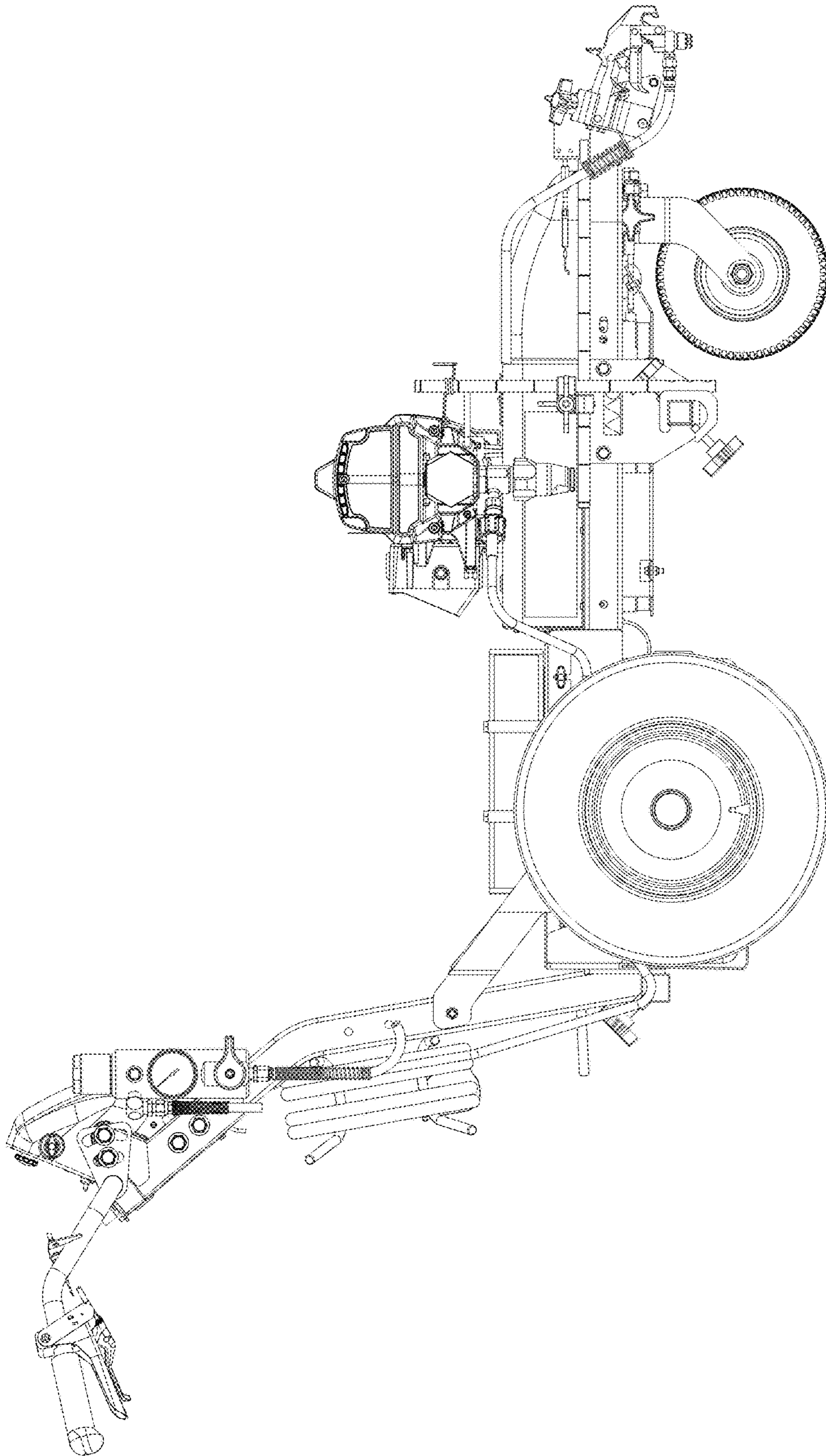


FIG. 4

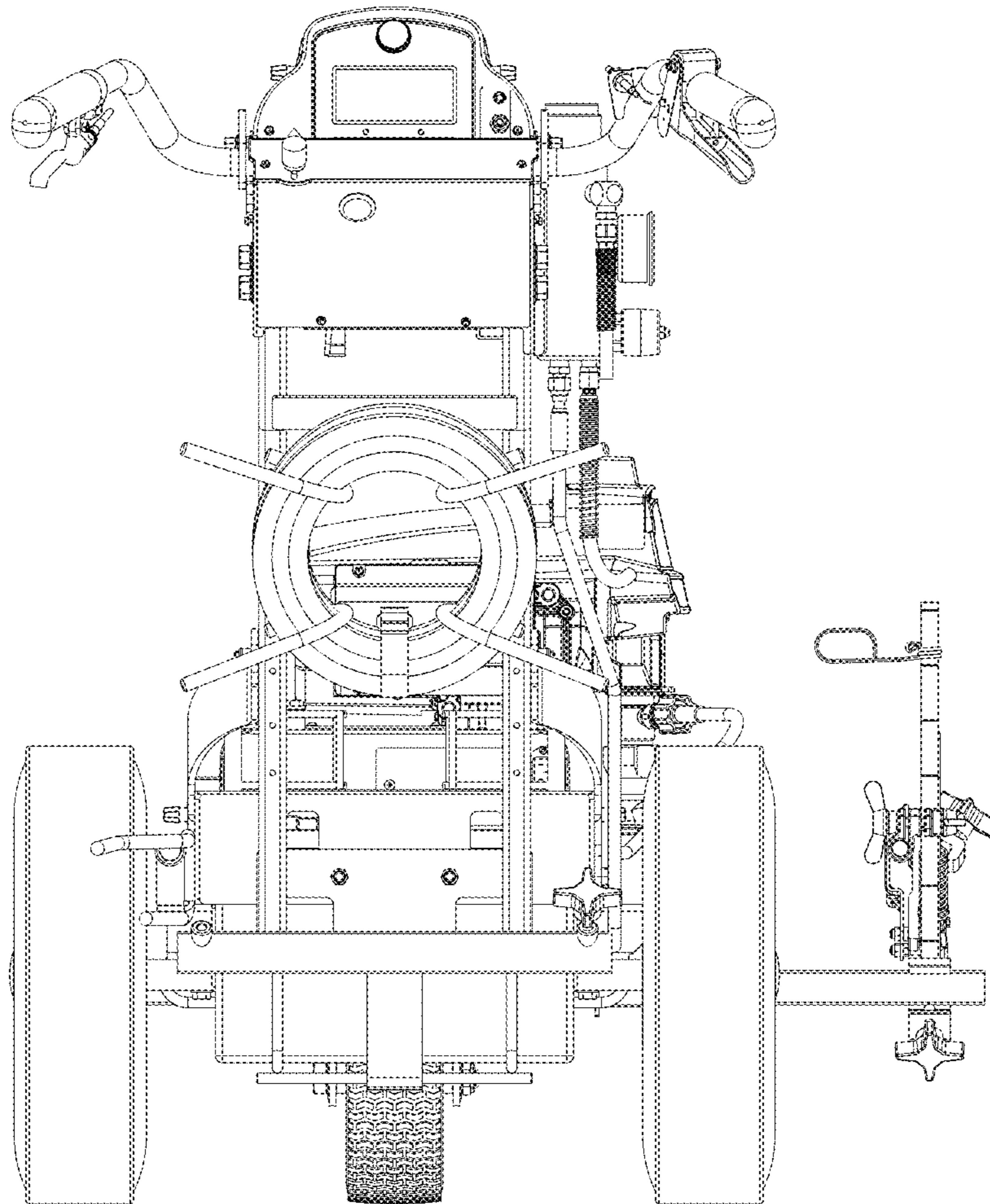


FIG. 5

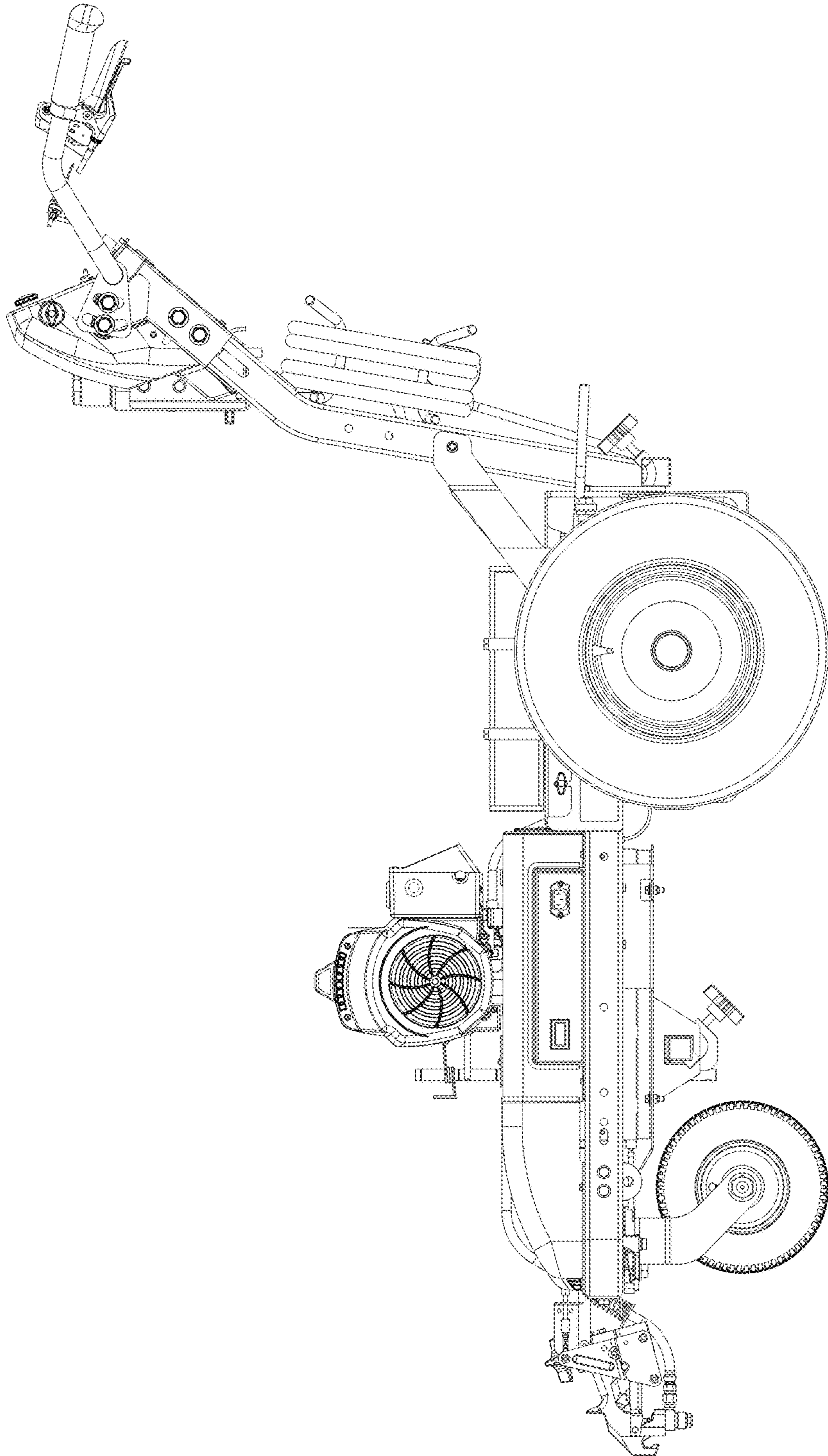


FIG. 6

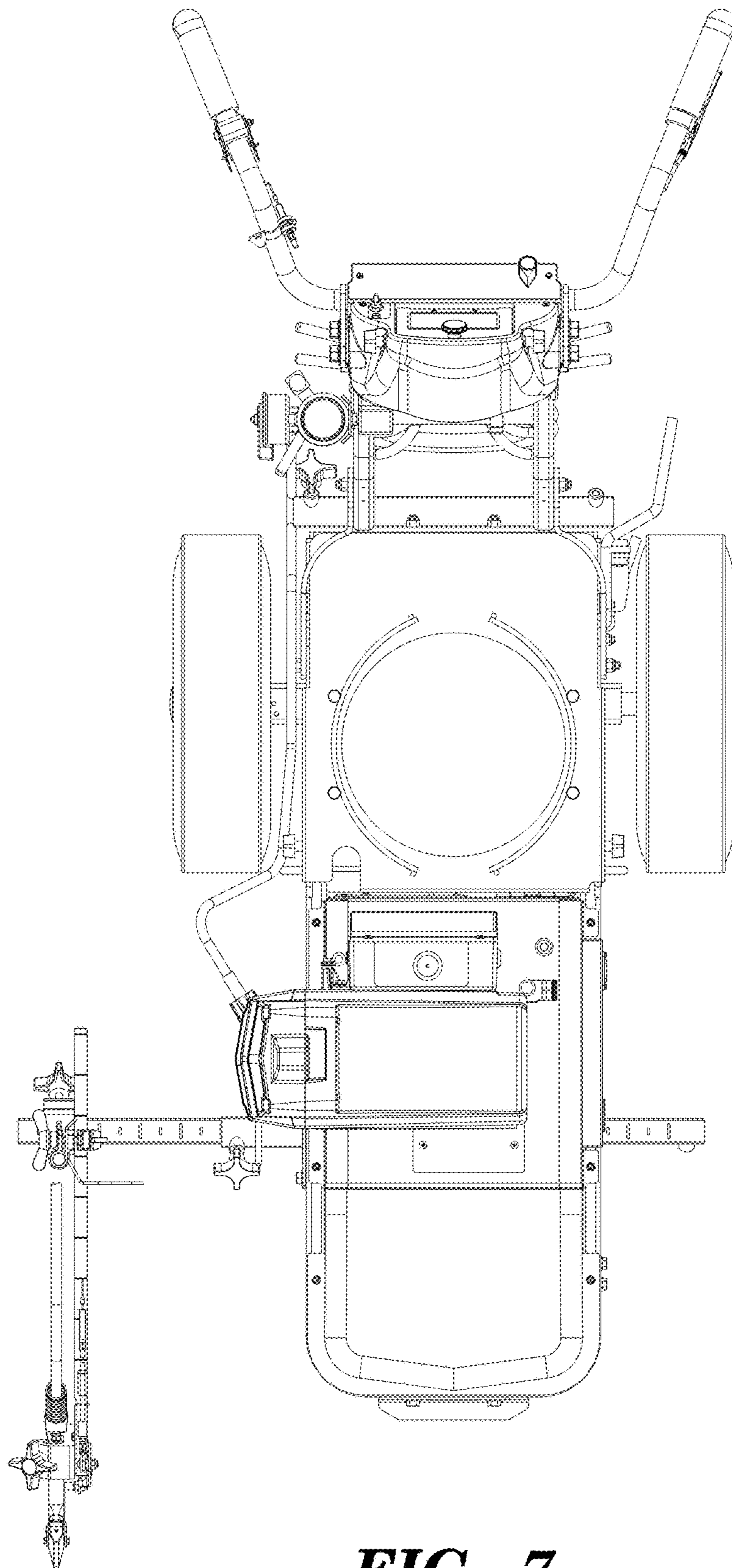


FIG. 7

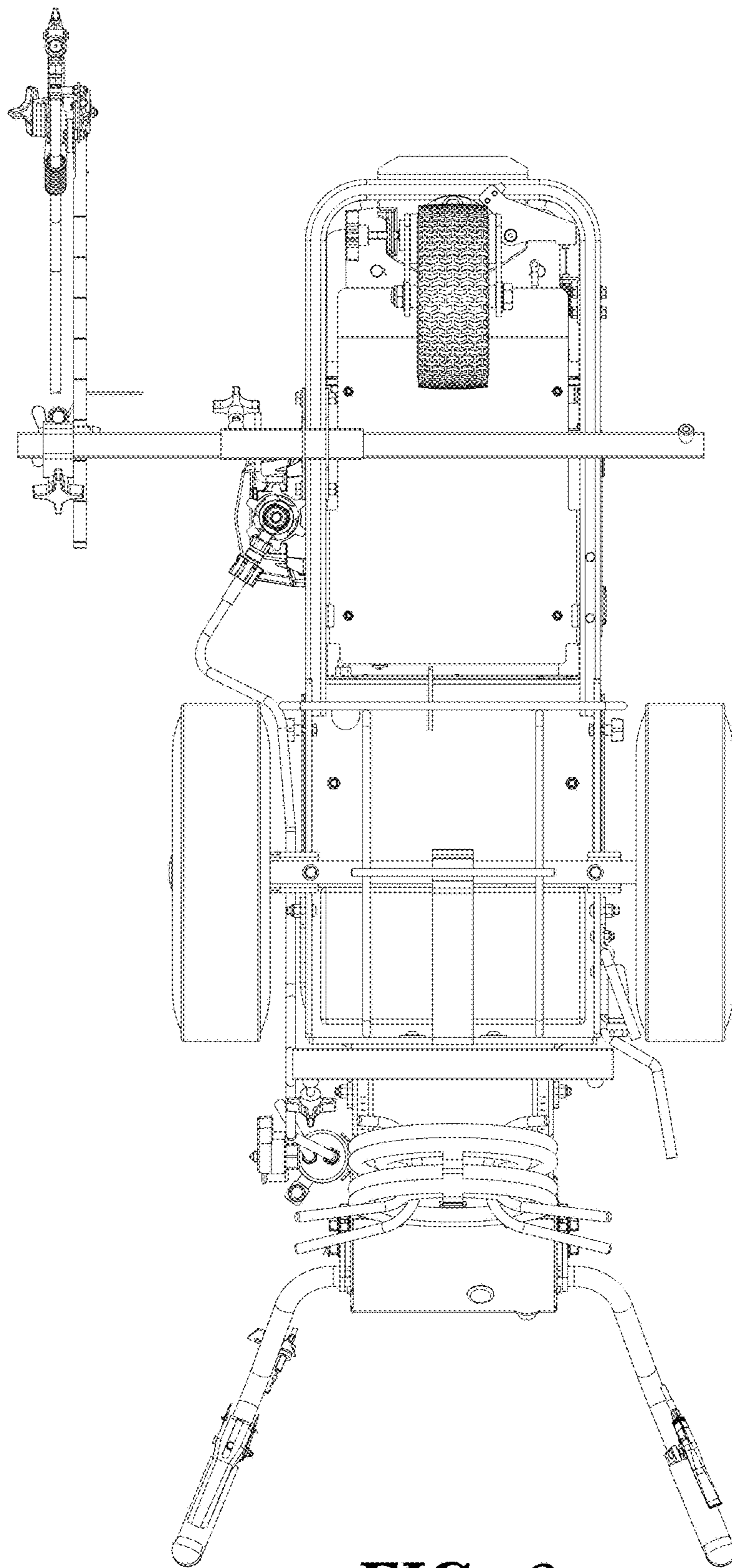


FIG. 8