



US00D818005S

(12) **United States Design Patent** (10) **Patent No.:** **US D818,005 S**
Meda et al. (45) **Date of Patent:** **** May 15, 2018**

(54) **PUMP**

(71) Applicant: **Dometic Sweden AB**, Solna (SE)

(72) Inventors: **Samuele Meda**, Solna (SE); **Joakim Ahlström**, Täby (SE); **Michael Edenius**, Stockholm (SE)

(73) Assignee: **Dometic Sweden AB**, Solna (SE)

(**) Term: **15 Years**

(21) Appl. No.: **29/603,507**

(22) Filed: **May 10, 2017**

(30) **Foreign Application Priority Data**

Nov. 11, 2016 (EM) 003460021

(51) **LOC (11) Cl.** **15-02**

(52) **U.S. Cl.**

USPC **D15/7**

(58) **Field of Classification Search**

USPC D15/7-9; D23/231, 232, 225; 417/60, 417/235, 265, 321, 355, 358, 363, 359, 417/410.1, 415-416, 405, 900, 269, 539; 60/408, 412; 184/26-37; 415/140-147; 123/495, 509; 137/565.34

CPC F02M 37/04; F02M 37/14; F04B 53/92; F04B 1/005

See application file for complete search history.

D604,745 S * 11/2009 Sinico D15/7
D657,799 S * 4/2012 Jung D15/7
D657,800 S * 4/2012 Villagomez, Jr. D15/7
8,240,168 B2 8/2012 Holguin
D680,134 S * 4/2013 Fordyce D15/7
D696,300 S * 12/2013 Arotzarena D15/7
D725,153 S * 3/2015 Berry D15/7
2004/0007526 A1 1/2004 Dellby

FOREIGN PATENT DOCUMENTS

AU 201712769 5/2017

OTHER PUBLICATIONS

Transmittal Letter of Related Cases.
(Continued)

Primary Examiner — Ralf Seifert
(74) *Attorney, Agent, or Firm* — Middleton Reutlinger

(57) **CLAIM**

The ornamental design for a pump, as shown and described.

DESCRIPTION

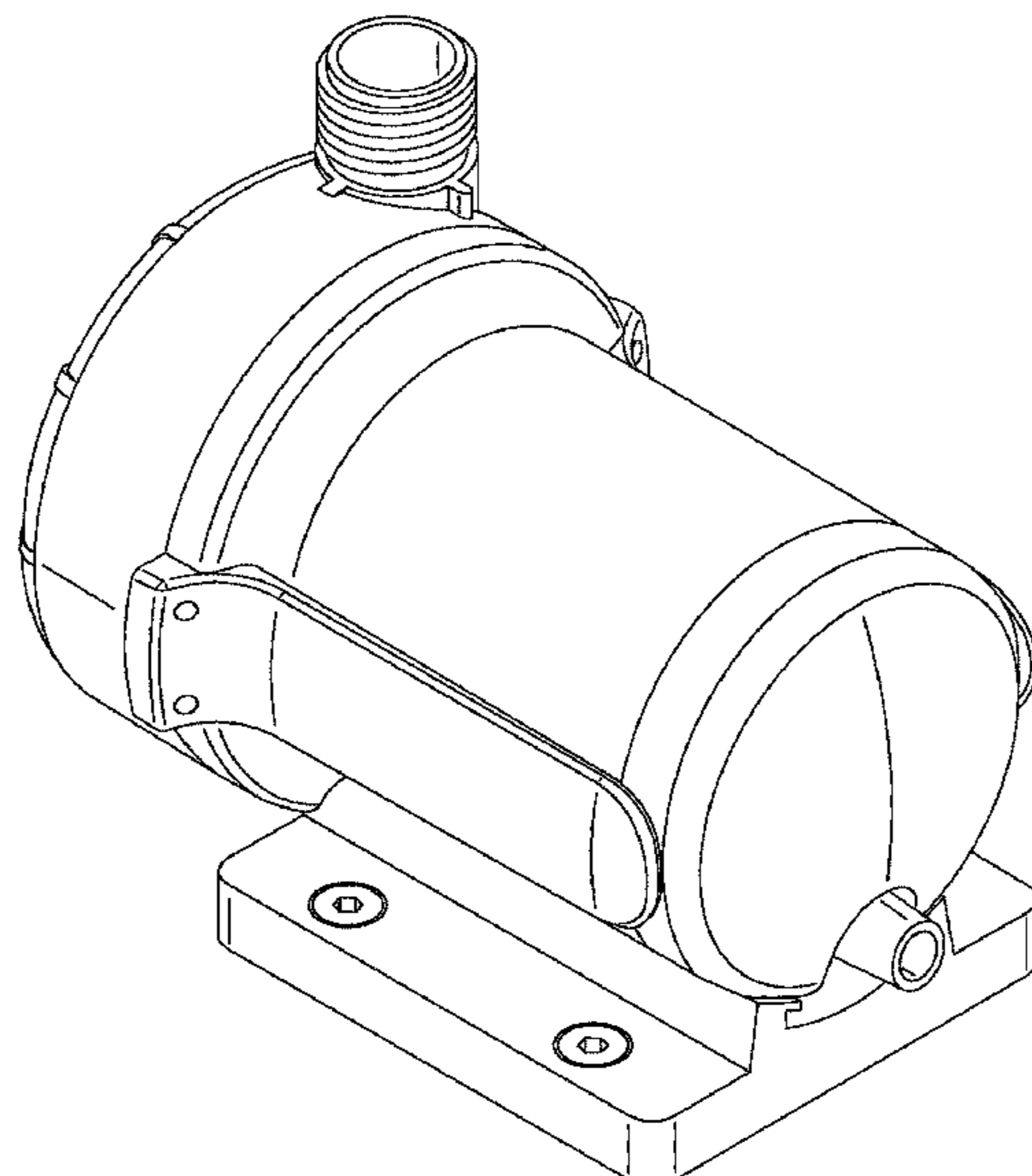
FIG. 1 is an upper perspective view of a pump design;
FIG. 2 is a lower front perspective view of the pump design of FIG. 1;
FIG. 3 is a front elevation view of the pump design of FIG. 1;
FIG. 4 is a right side elevation view of pump design of FIG. 1;
FIG. 5 is a left side elevation view of the pump design of FIG. 1;
FIG. 6 is a rear elevation view of the pump design of FIG. 1; and,
FIG. 7 is a top view of the pump design of FIG. 1.
The broken lines are included for the purpose of illustrating portions of the pump that form no part of the claimed design.

1 Claim, 7 Drawing Sheets

(56) **References Cited**

U.S. PATENT DOCUMENTS

D239,210 S * 3/1976 Marlow D15/7
D299,143 S * 12/1988 Hazlehurst D15/7
5,284,424 A 2/1994 Dellby et al.
5,860,799 A 1/1999 Scheibe et al.
6,082,979 A 7/2000 Friedman
6,374,431 B1 4/2002 Dahlberg



(56)

References Cited

OTHER PUBLICATIONS

European Design Patent Application No. 003460021 filed Nov. 11, 2016.

Chinese Patent Application No. 201730172266.9 filed May 11, 2017.

* cited by examiner

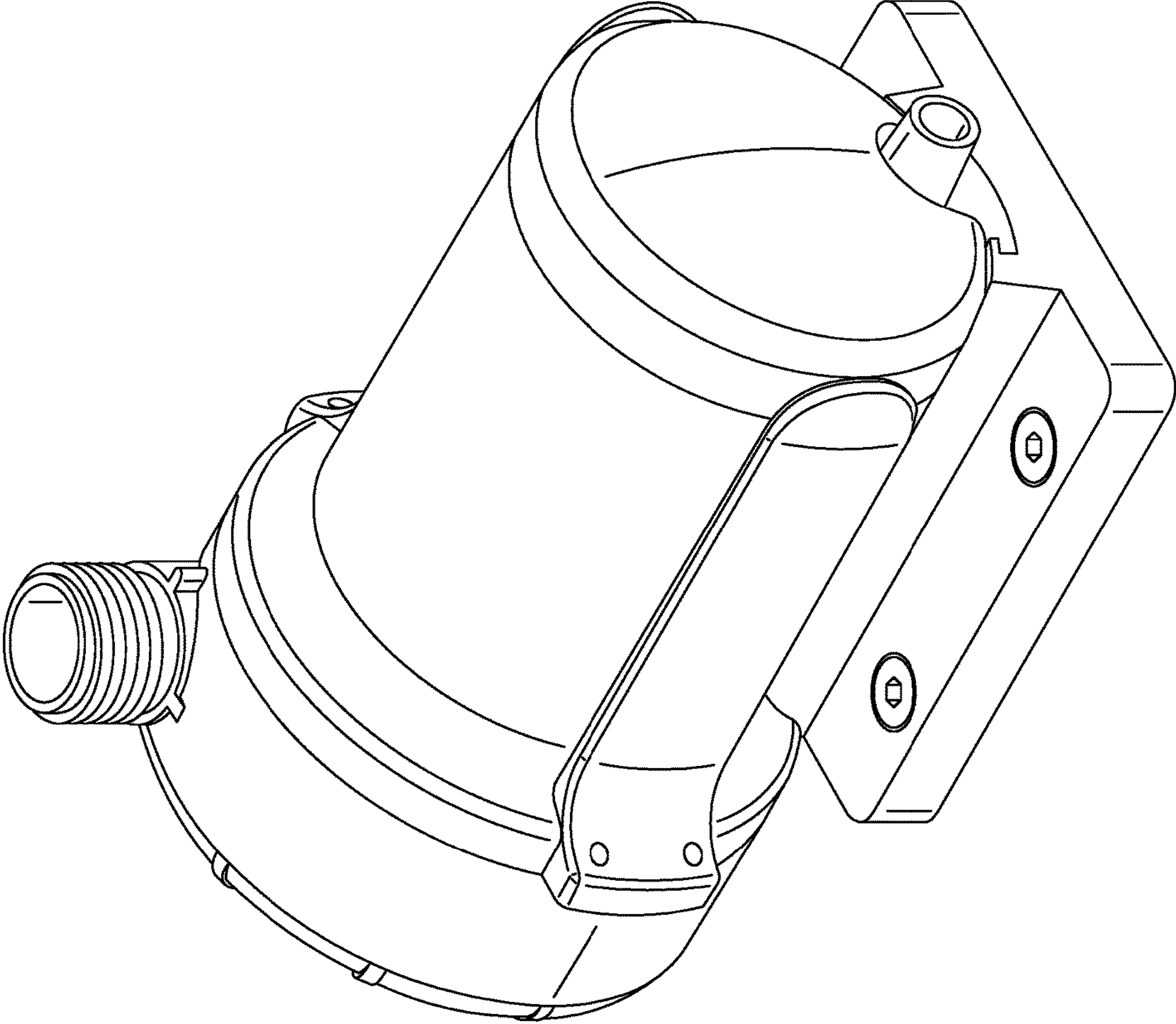


FIG. 1

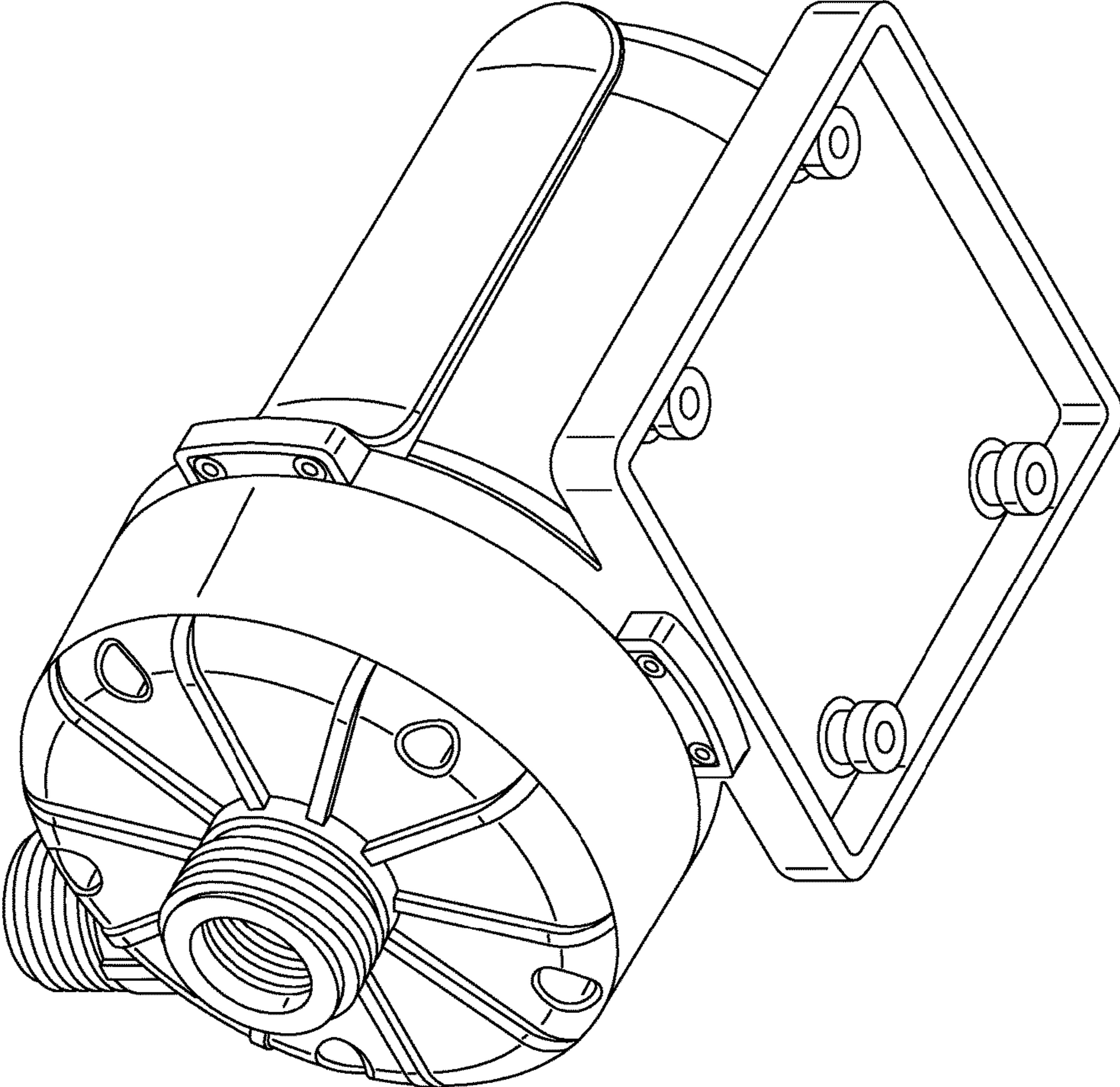


FIG. 2

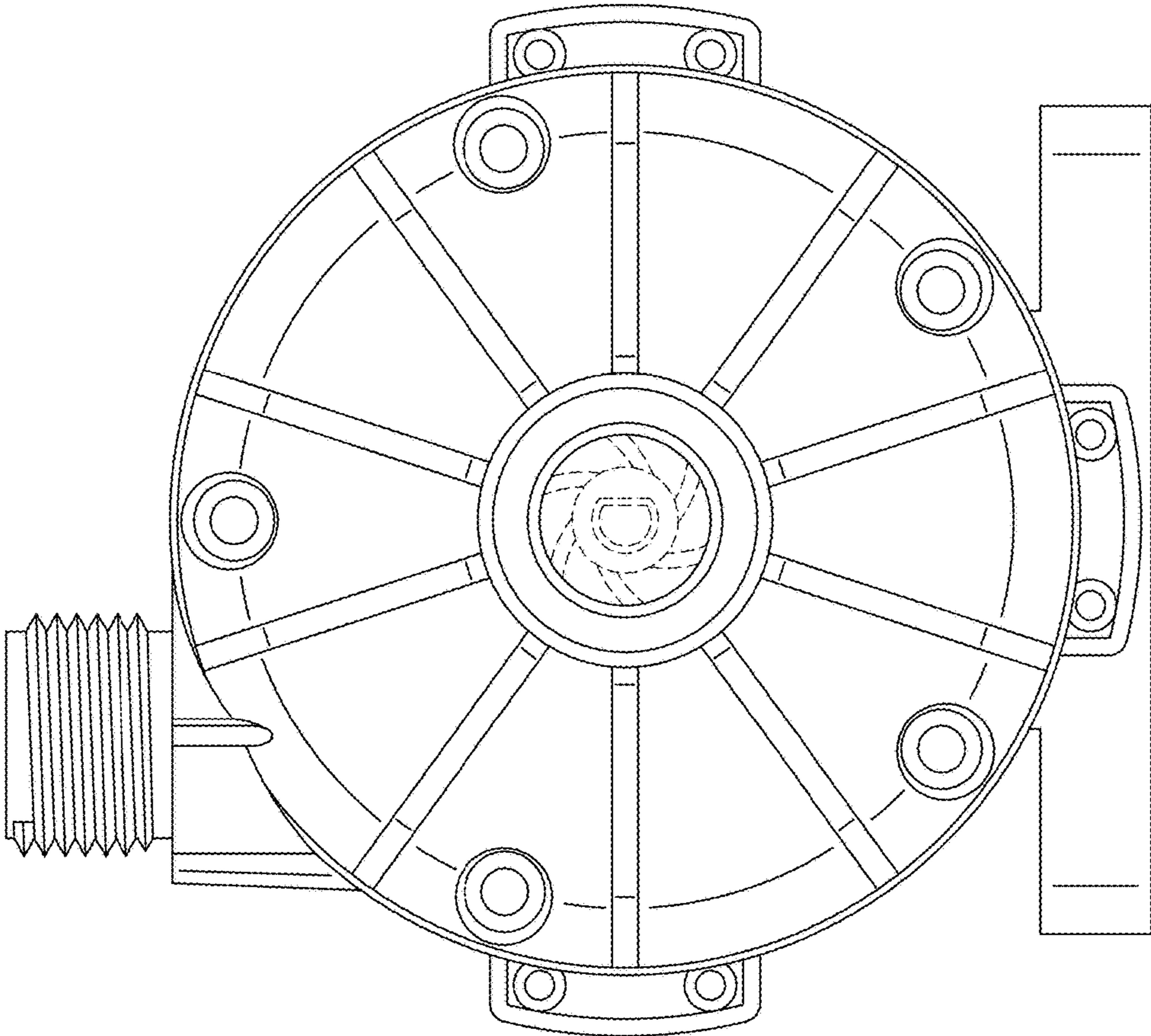


FIG. 3

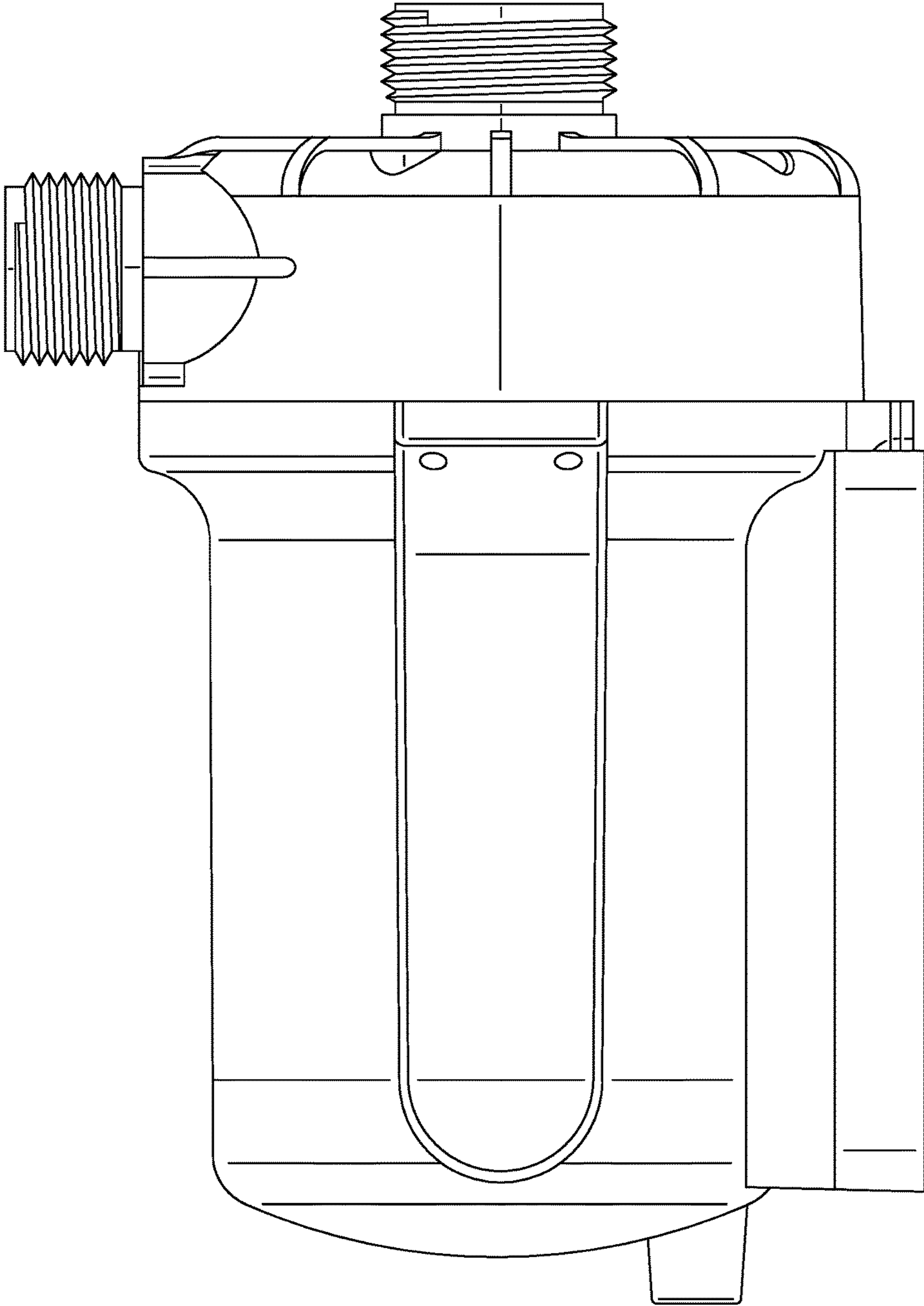


FIG. 4

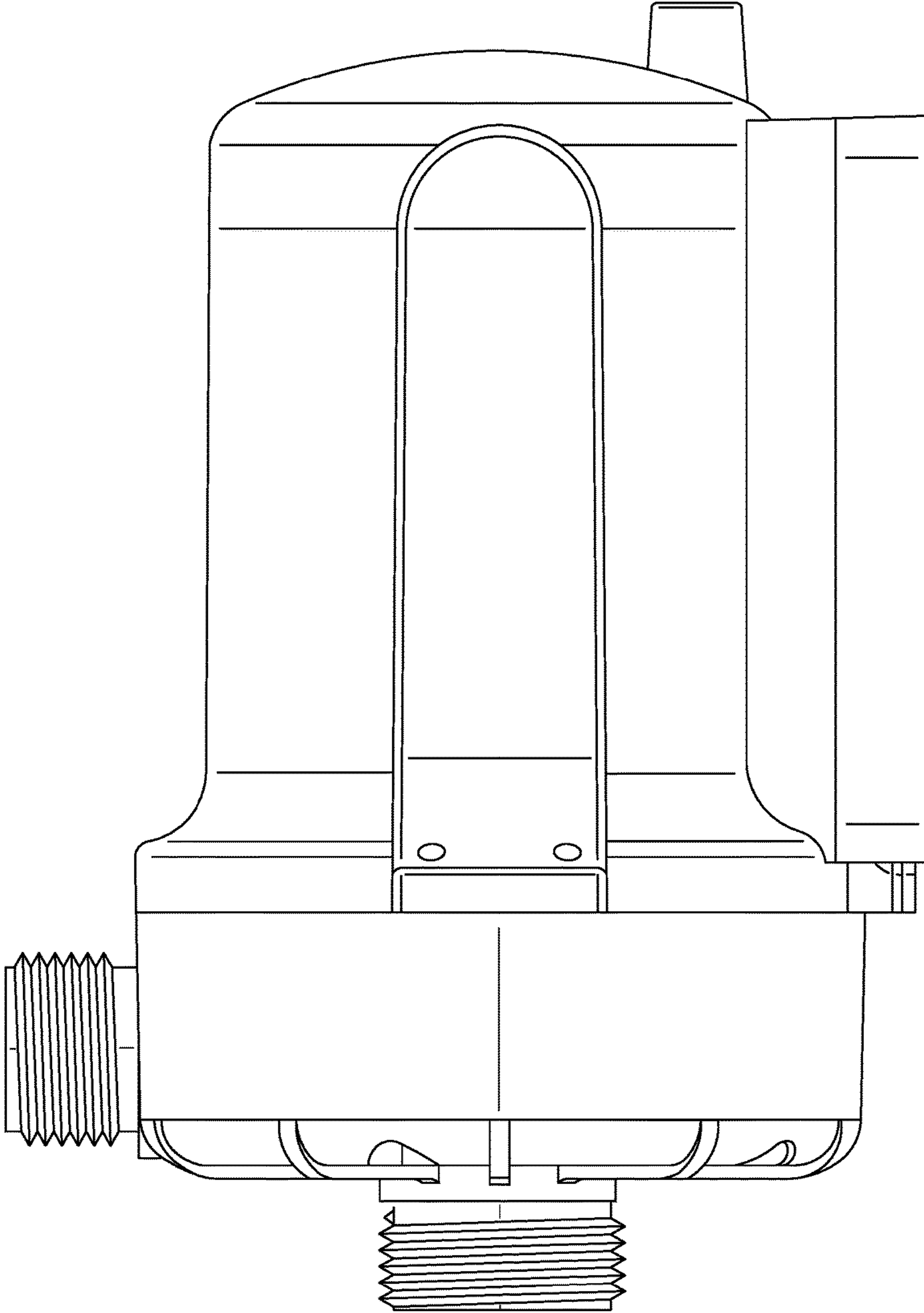


FIG. 5

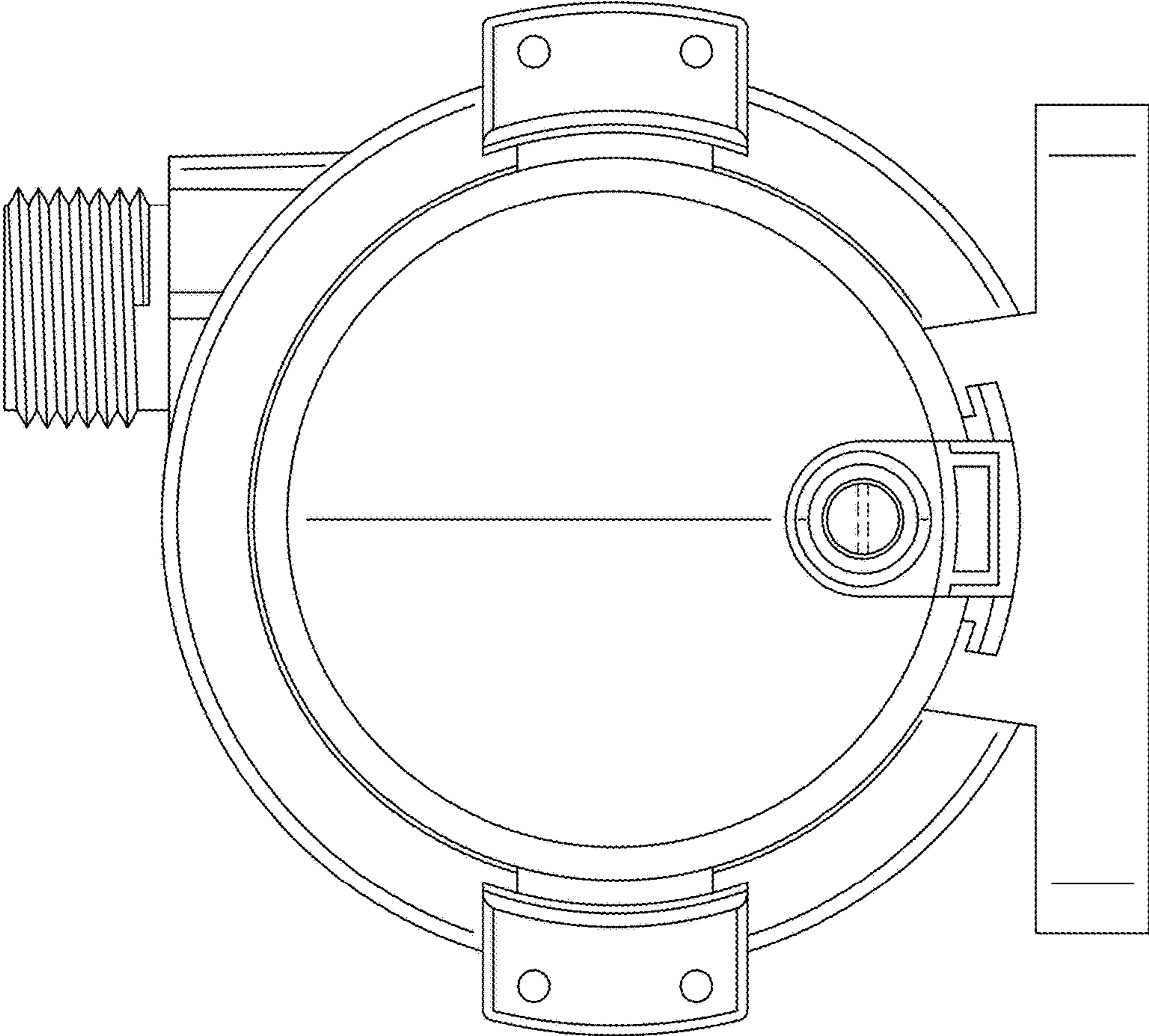


FIG. 6

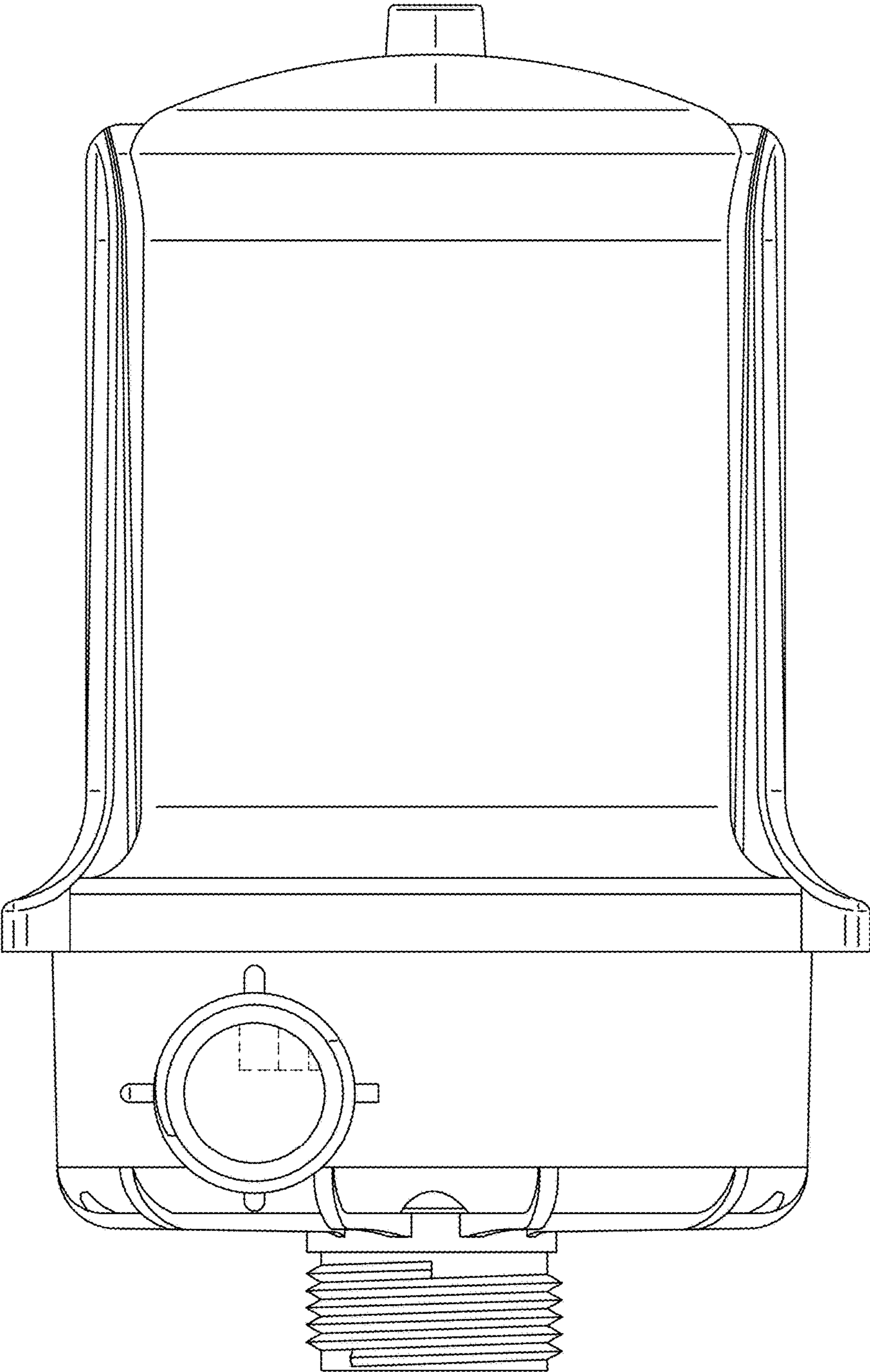


FIG. 7