

US00D817964S

(12) **United States Design Patent**
Kim

(10) **Patent No.:** **US D817,964 S**

(45) **Date of Patent:** **** May 15, 2018**

(54) **HOLDER FOR PORTABLE AUDIO AND VIDEO PLAYER**

(71) Applicant: **IRIVER LIMITED.**, Seoul (KR)

(72) Inventor: **So-Yean Kim**, Seoul (KR)

(73) Assignee: **IRIVER LIMITED.**, Seoul (KR)

(**) Term: **15 Years**

(21) Appl. No.: **35/501,403**

(22) Filed: **Feb. 18, 2016**

(80) **Hague Agreement Data**

Int. Filing Date: **Feb. 18, 2016**

Int. Reg. No.: **DM/090722**

Int. Reg. Date: **Feb. 18, 2016**

Int. Reg. Pub. Date: **Aug. 19, 2016**

(30) **Foreign Application Priority Data**

Aug. 18, 2015 (KR) 30-2015-0041539

(51) **LOC (11) Cl.** **14-02**

(52) **U.S. Cl.**
USPC **D14/447**

(58) **Field of Classification Search**
USPC D14/250, 251, 253, 432, 434, 439, 440,
D14/447, 451, 457
CPC A45C 2011/003; A45C 2011/002; A45C
13/002; A47B 2023/049; A47B 2097/005;
A47B 2097/006; A47B 21/04; A47B
23/00; A47B 23/043; A47B 2021/0307
See application file for complete search history.

(56) **References Cited**

U.S. PATENT DOCUMENTS

6,497,013 B1 * 12/2002 Goto F16M 11/10
248/346.01
D513,008 S * 12/2005 Takizawa D14/447

D637,194 S * 5/2011 Kuroda D14/447
D639,813 S * 6/2011 Kuroda D14/447
D661,309 S * 6/2012 Murrer D14/447
D665,812 S * 8/2012 Huang D14/447
D666,995 S * 9/2012 TerMeer D14/217
D672,783 S * 12/2012 Robinson D14/447
D676,452 S * 2/2013 So D14/447
D693,824 S * 11/2013 Erdfarb D14/447
D699,246 S * 2/2014 Ringlein D14/447
D699,297 S * 2/2014 Bahsoun D14/447
D703,216 S * 4/2014 Klepar D14/447
D714,807 S * 10/2014 Pulver D14/447
D722,062 S * 2/2015 Zwerner D14/447
D730,914 S * 6/2015 Park D14/447
D741,336 S * 10/2015 Miniard D14/447
D765,063 S * 8/2016 Wengreen D14/238.1
D765,064 S * 8/2016 Wengreen D14/238.1
D768,138 S * 10/2016 Malsan D14/447
D768,639 S * 10/2016 Sumii D14/447
D769,247 S * 10/2016 Heyen D14/447

(Continued)

Primary Examiner — Melanie H Tung

Assistant Examiner — Bao-Yen T Nguyen

(74) *Attorney, Agent, or Firm* — Revolution IP, PLLC

(57) **CLAIM**

The ornamental design for a holder for portable audio and video player, as shown and described.

DESCRIPTION

1. Holder for portable audio and video player

1.1 : Perspective

1.2 : Front

1.3 : Back

1.4 : Top

1.5 : Bottom

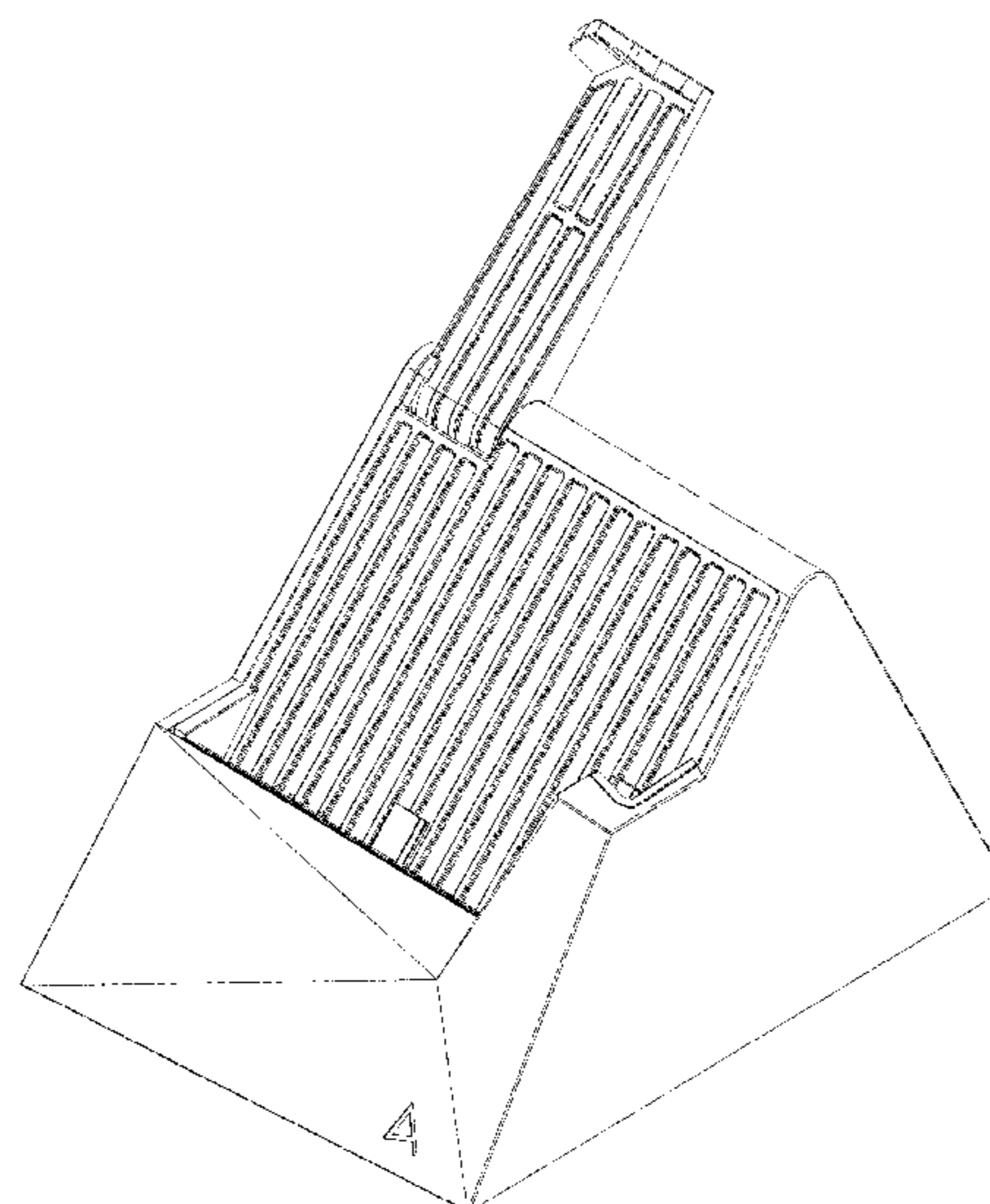
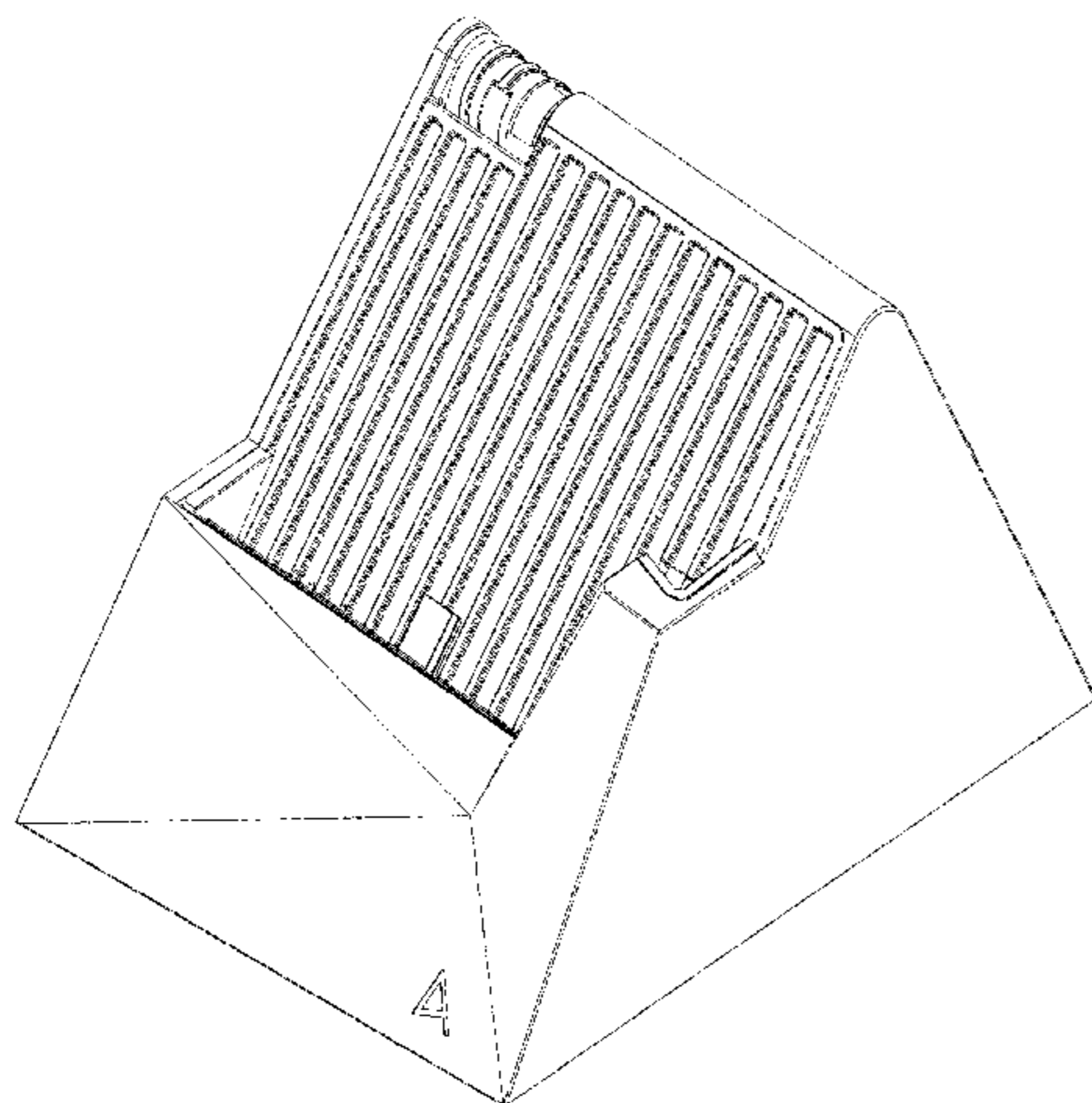
1.6 : Left

1.7 : Right

1.8 : Perspective in a position of use

The broken lines represent portions of the article and form no part of the claimed design.

1 Claim, 8 Drawing Sheets



(56)

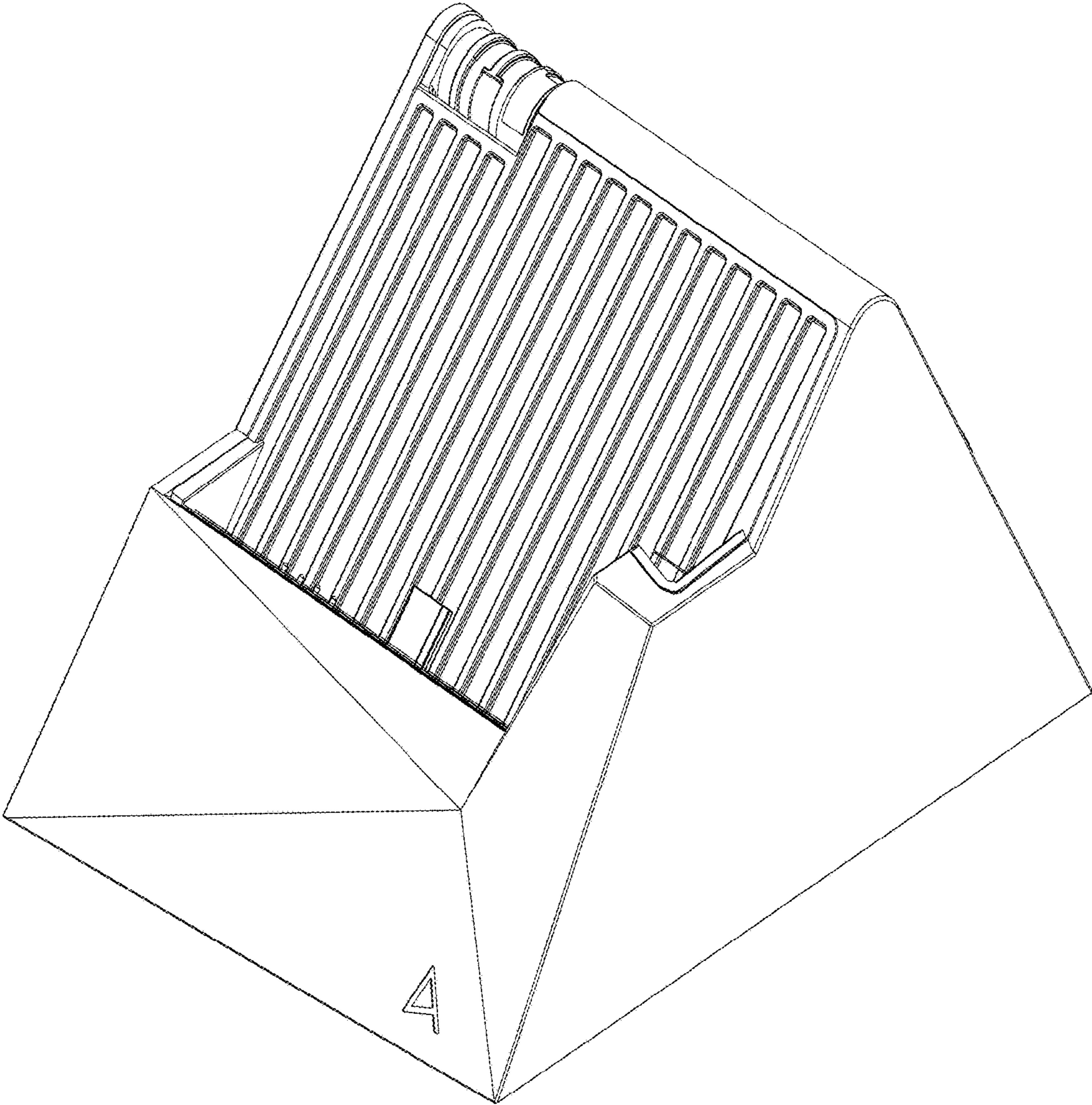
References Cited

U.S. PATENT DOCUMENTS

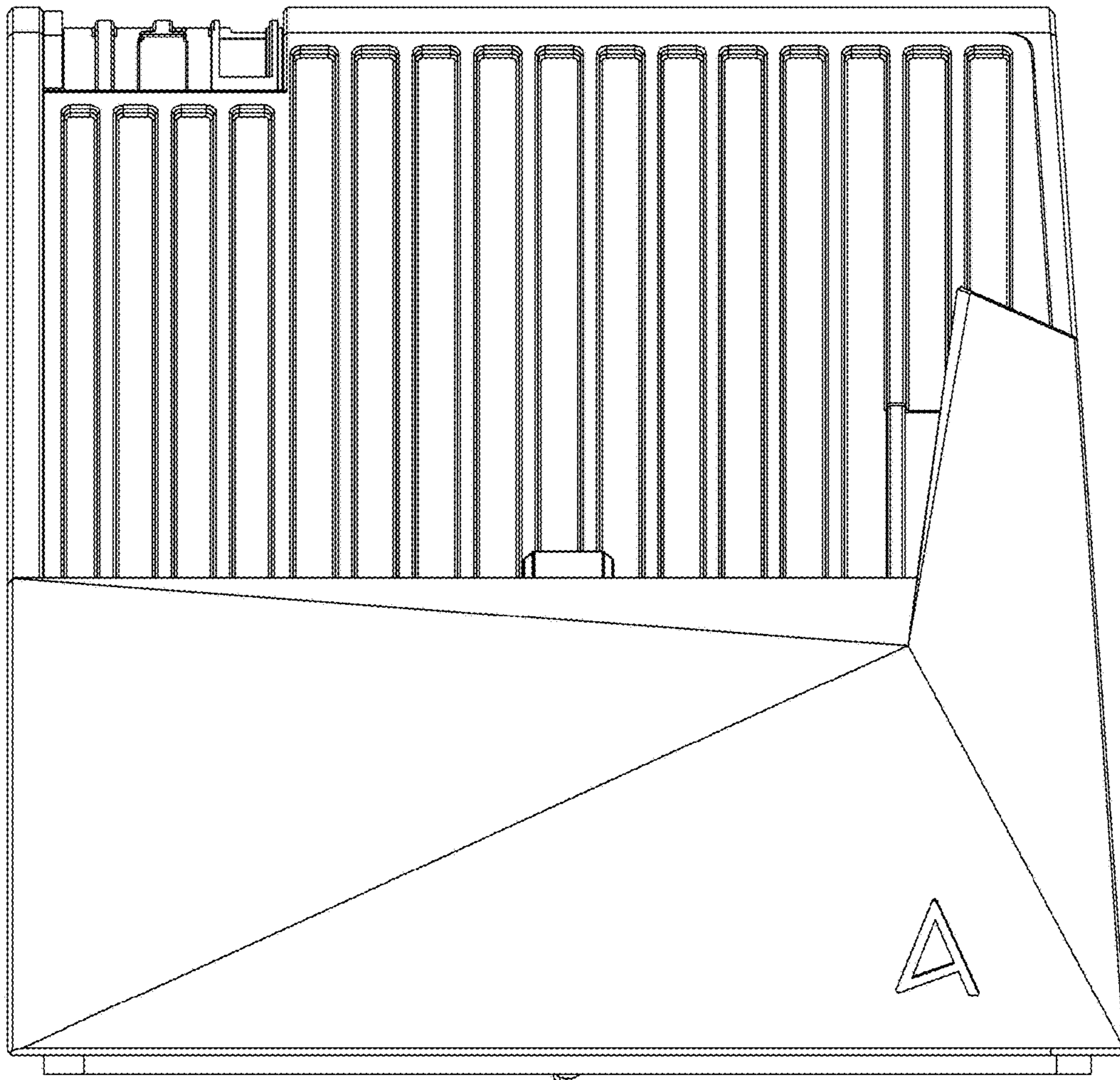
D781,865 S * 3/2017 Hsu D14/447
D789,938 S * 6/2017 Lee D14/447
2002/0020789 A1* 2/2002 Li G06F 1/1626
248/175

* cited by examiner

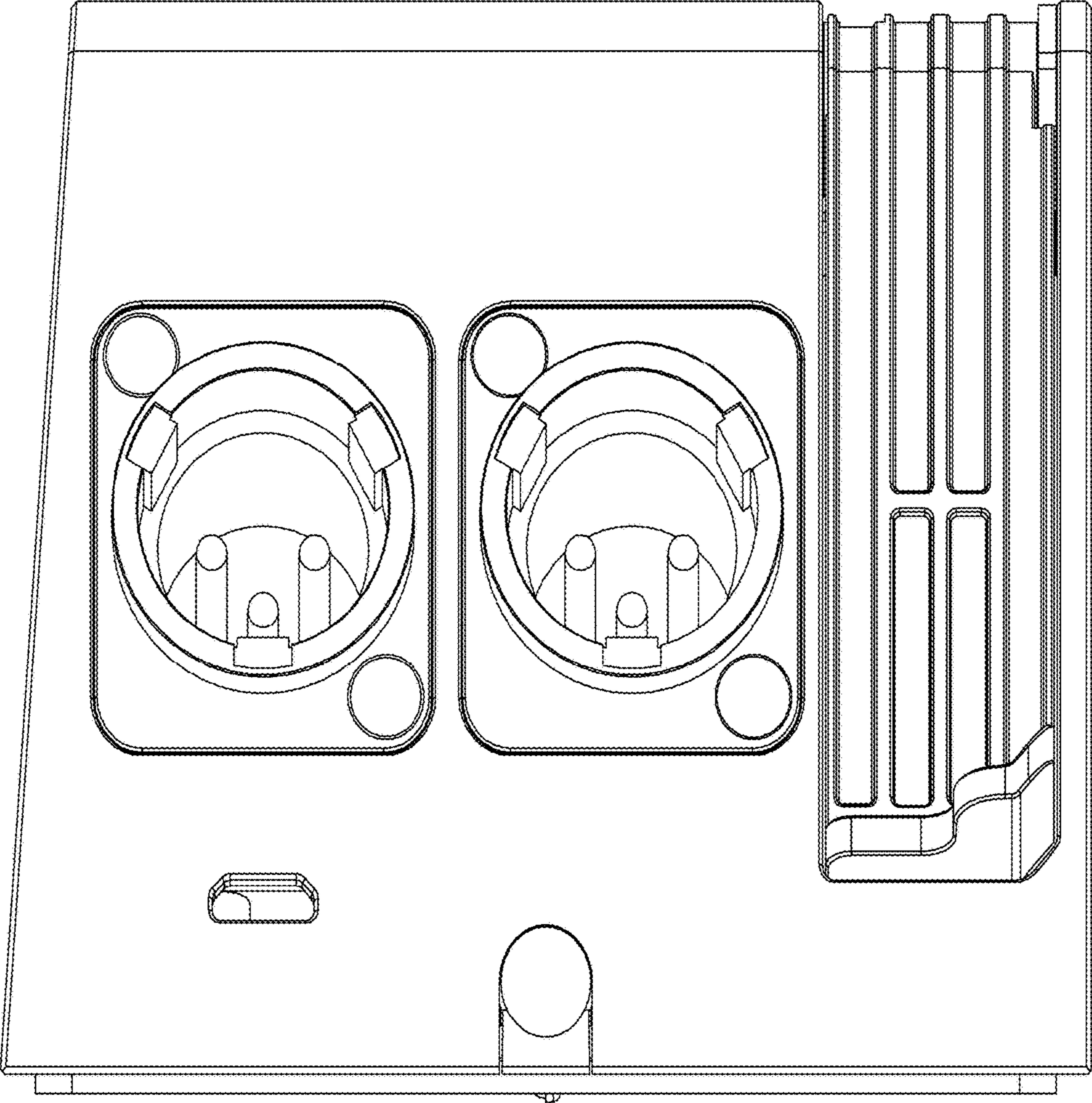
1.1



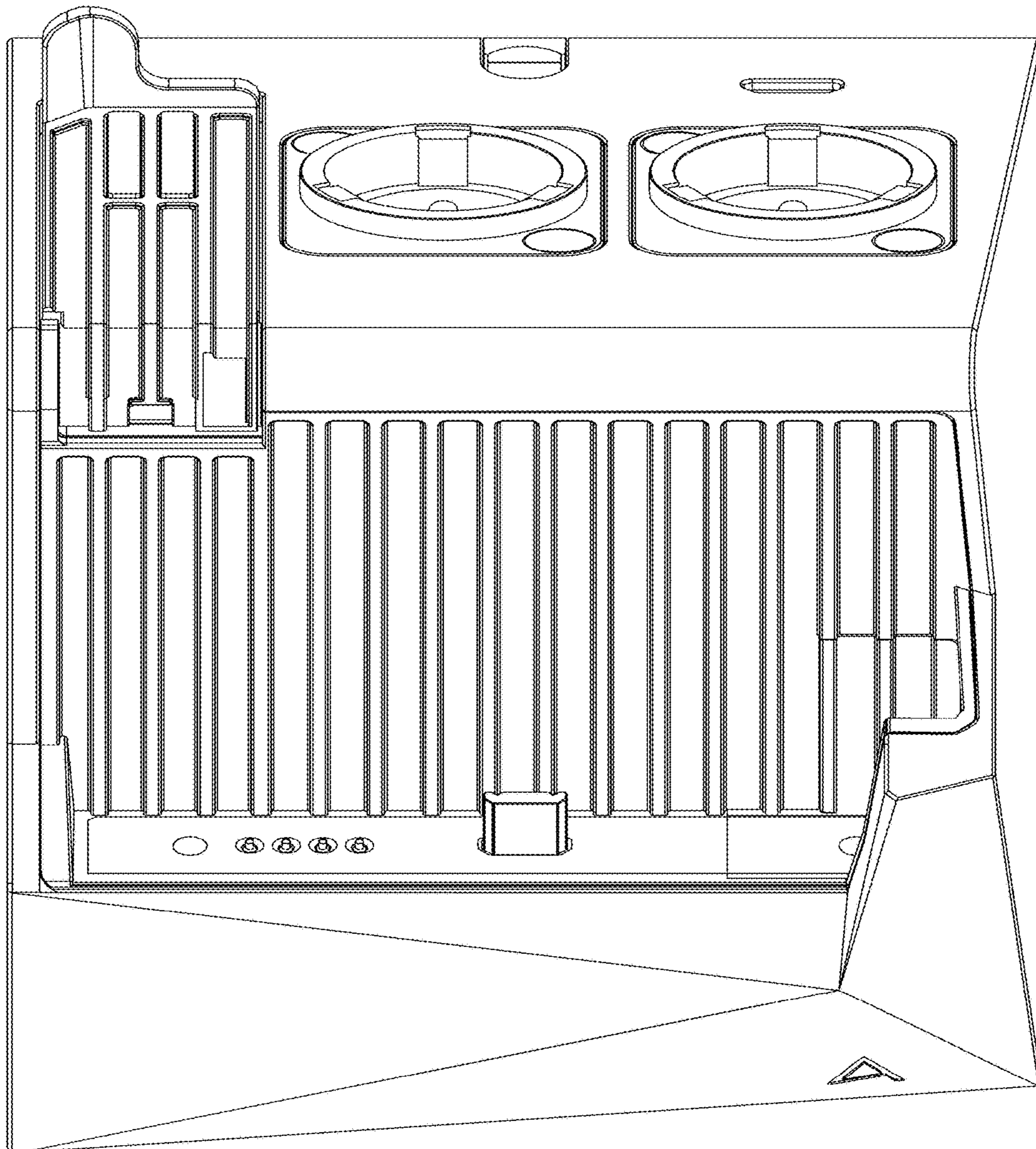
1.2



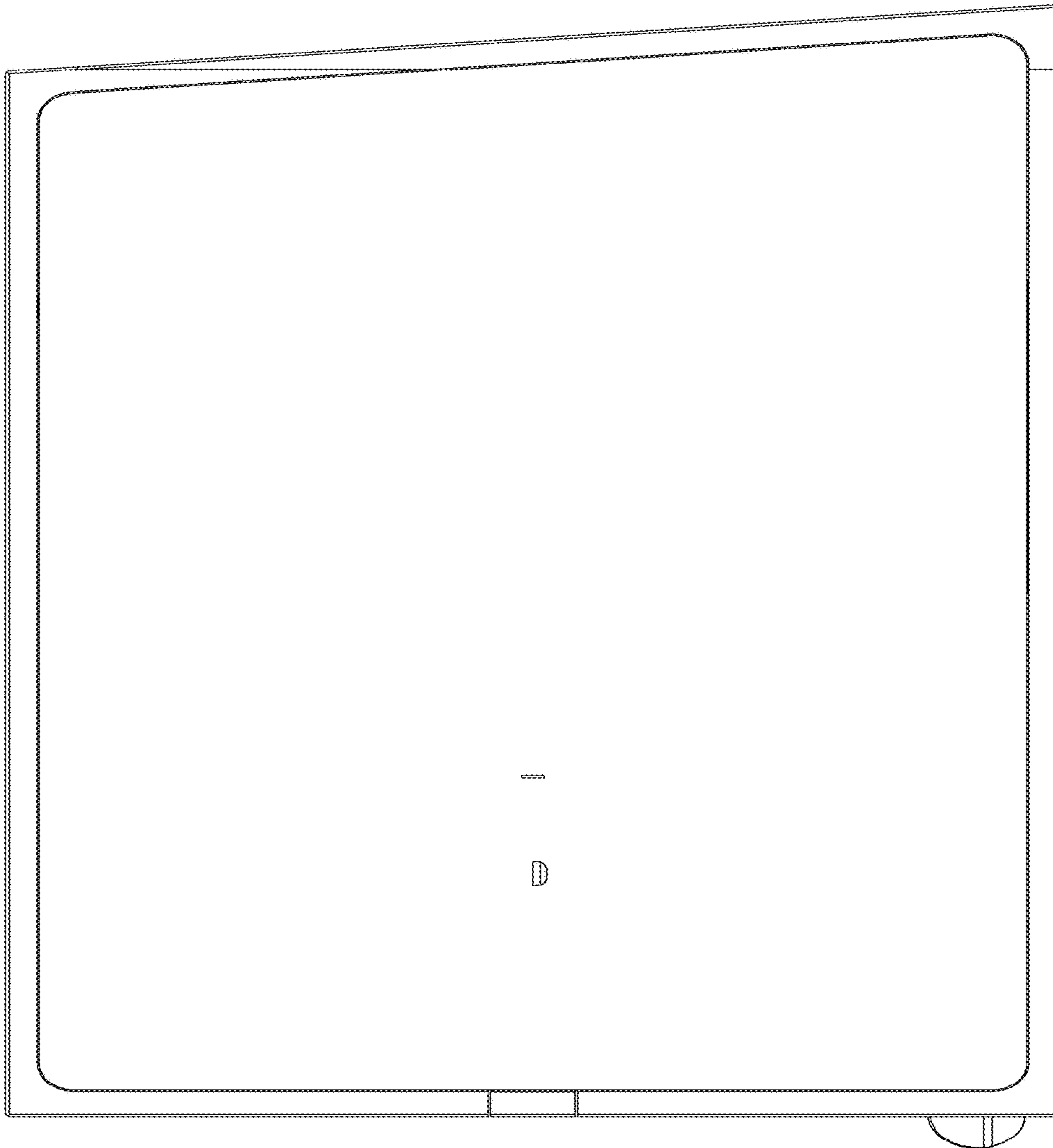
1.3



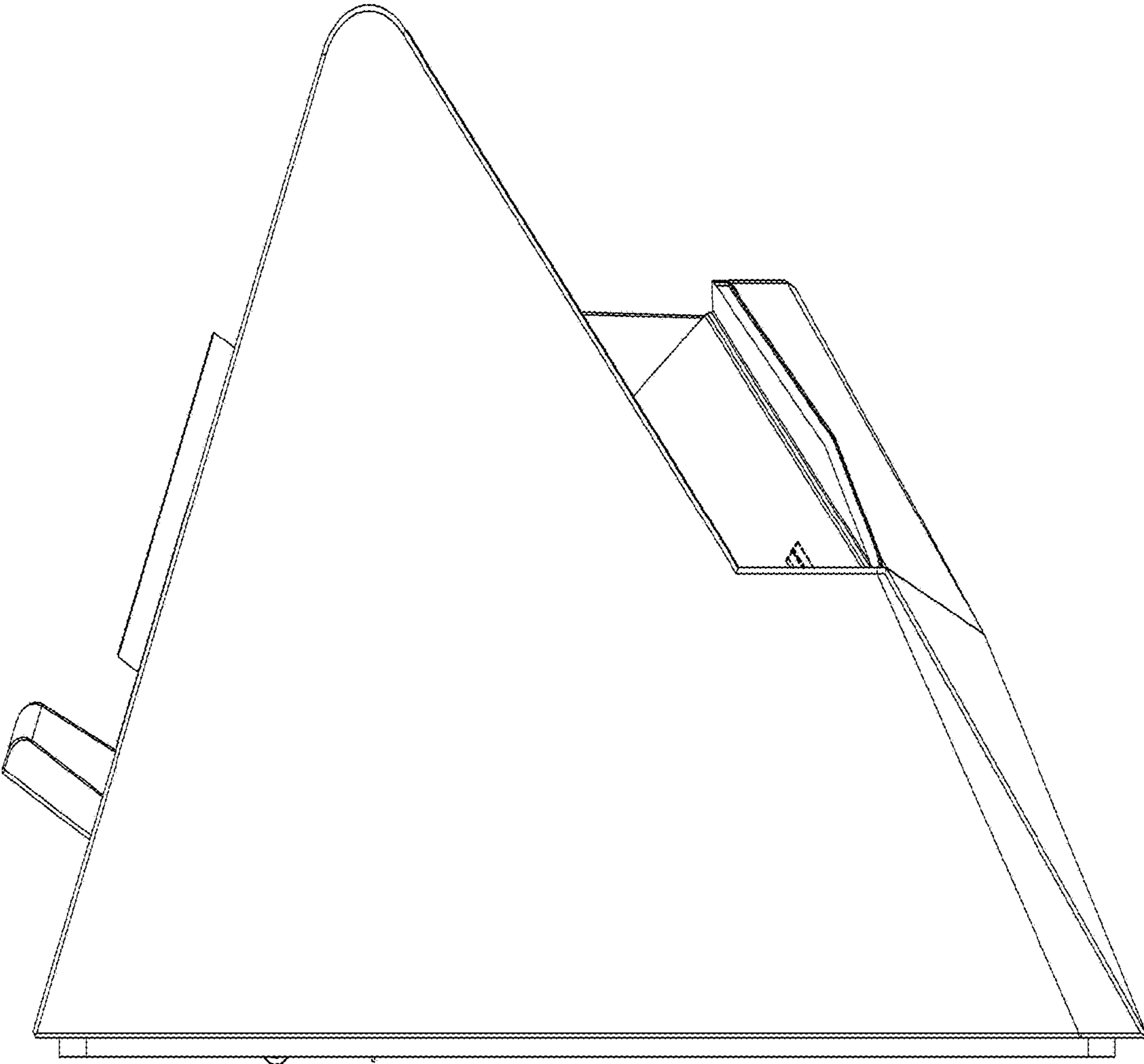
1.4



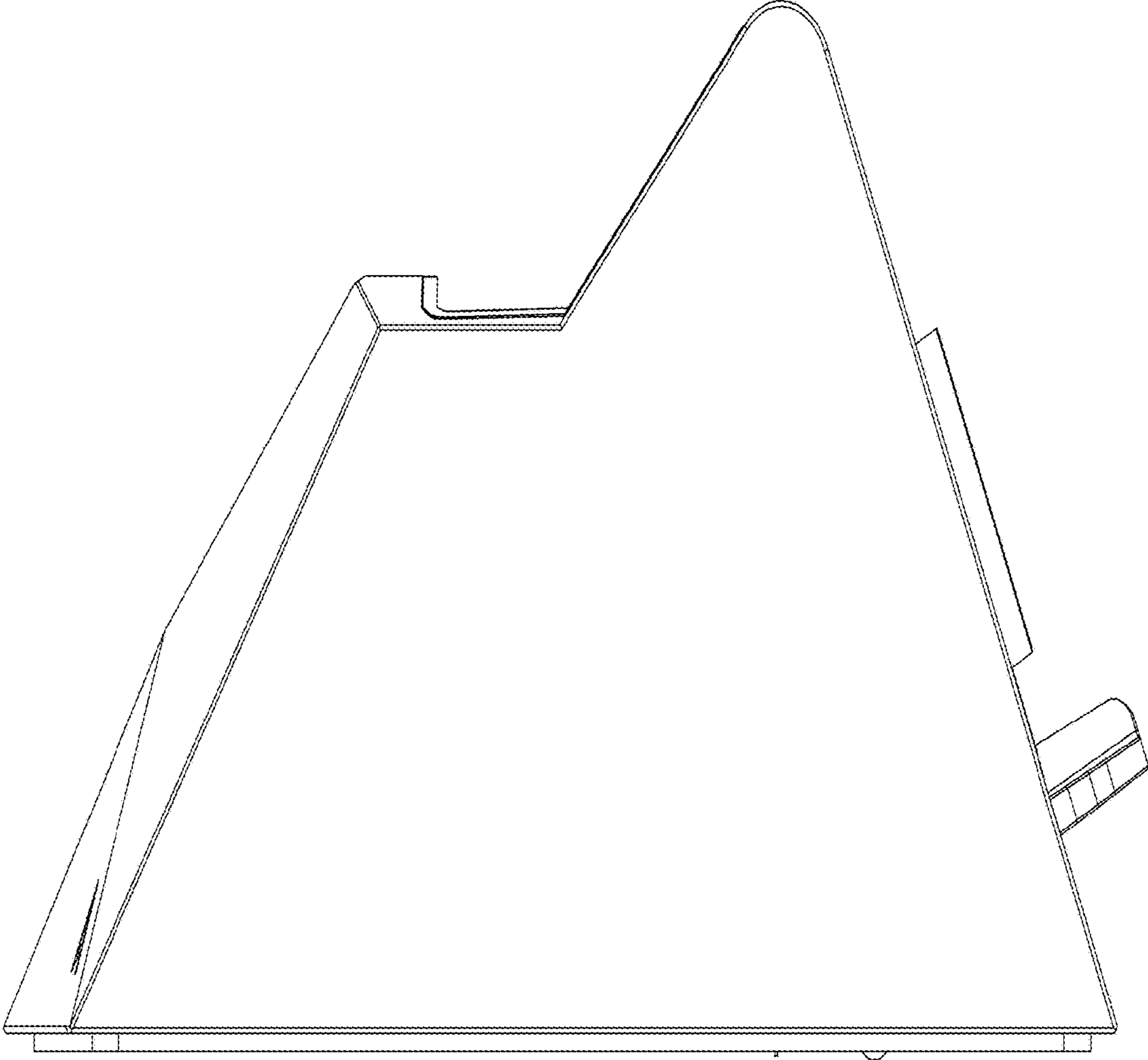
1.5



1.6



1.7



1.8

