



US00D817962S

(12) **United States Design Patent**
Shao et al.

(10) **Patent No.:** **US D817,962 S**
(45) **Date of Patent:** **** May 15, 2018**

(54) **PROTECTIVE COVER FOR A TABLET COMPUTER**

(71) Applicant: **Logitech Europe S.A.**, Lausanne (CH)

(72) Inventors: **Yibo Shao**, Tsuen Wan (HK);
Jean-Marc Fluckiger, Tsuen Wan (HK);
Wang Hsing-Tung, Taipei (TW);
Chan Kwok Fai Ray, Tsuen Wan (HK)

(73) Assignee: **Logitech Europe S.A.**, Lausanne (CH)

(**) Term: **15 Years**

(21) Appl. No.: **29/595,827**

(22) Filed: **Mar. 2, 2017**

(51) **LOC (11) Cl.** **14-02**

(52) **U.S. Cl.**
USPC **D14/440**

(58) **Field of Classification Search**
USPC D14/440, 300, 447, 250; 206/45.23, 320,
206/45.2; 361/679.55; 294/25; 224/218
CPC G06F 1/1628; G06F 1/1626; G06F 1/1669;
A47B 23/044; H04B 1/3888
See application file for complete search history.

(56) **References Cited**

U.S. PATENT DOCUMENTS

6,016,248	A *	1/2000	Anzai	G06F 1/1626 248/463
8,173,893	B2 *	5/2012	Huang	A45C 11/00 136/251
D675,625	S *	2/2013	Hasbrook	D14/440
D679,277	S *	4/2013	Probst	D14/440
D692,432	S *	10/2013	Liu	D14/440
D694,245	S *	11/2013	Sanz	D14/440
D701,210	S *	3/2014	Bates	D14/440
D703,626	S *	4/2014	Hermansen	D14/126
D706,783	S *	6/2014	Almodova	D14/440
D707,229	S *	6/2014	Almodova	D14/440

8,763,795	B1 *	7/2014	Oten	A45C 11/00 206/320
8,783,458	B2 *	7/2014	Gallagher	F16M 11/105 206/320
8,797,132	B2 *	8/2014	Childs	A45C 11/00 206/320

(Continued)

Primary Examiner — Cynthia Underwood
(74) *Attorney, Agent, or Firm* — Kilpatrick, Townsend & Stockton, LLP

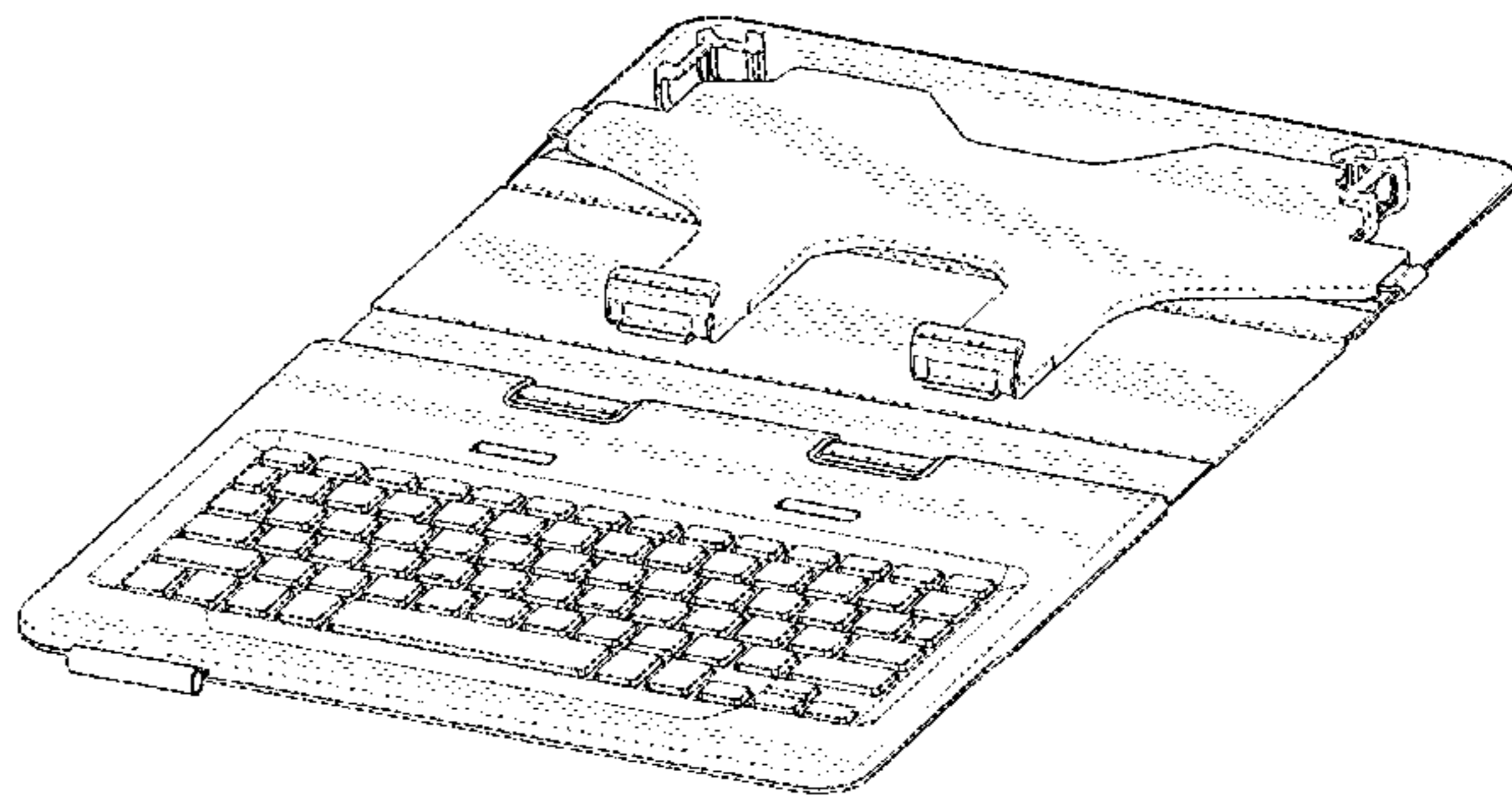
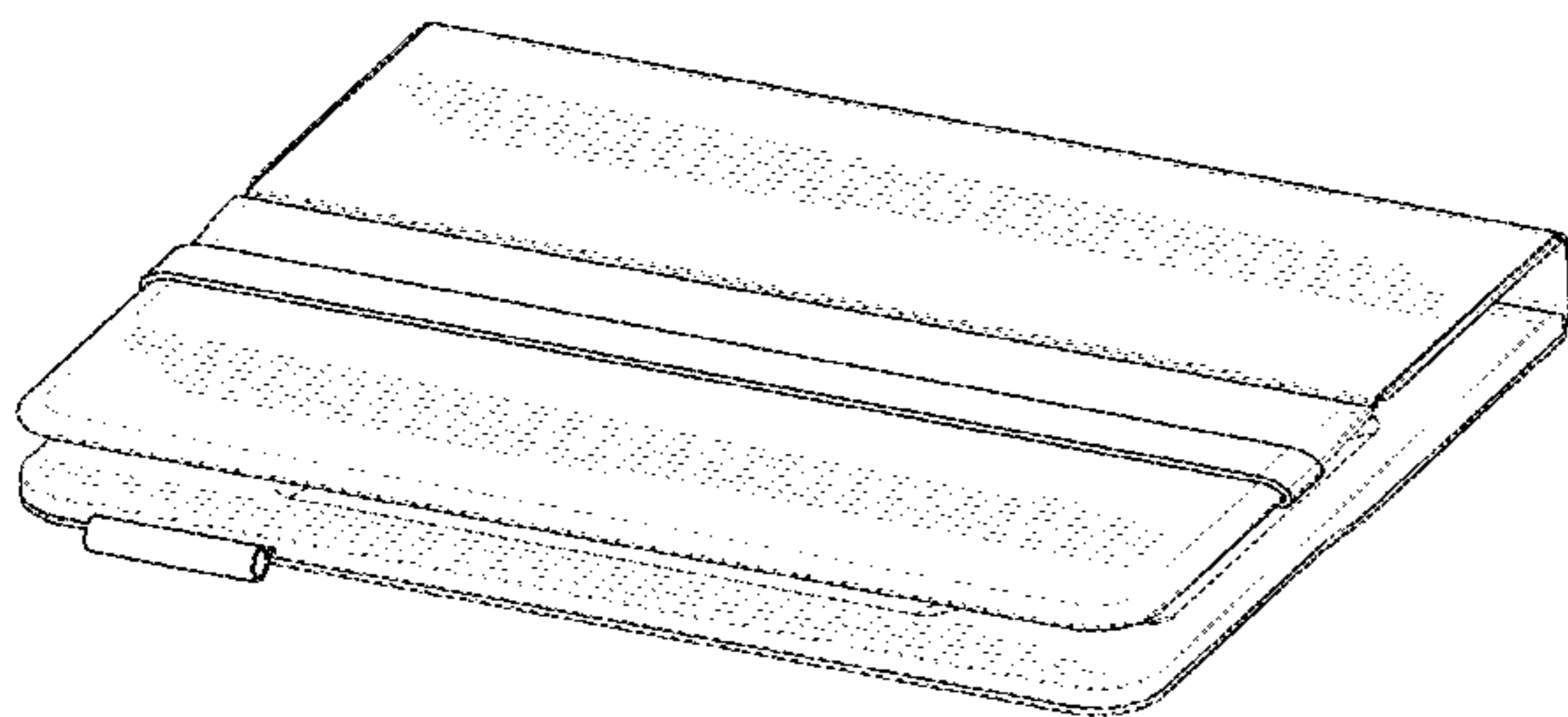
(57) **CLAIM**

The ornamental design for protective cover for a tablet computer, as shown and described.

DESCRIPTION

FIG. 1 is a perspective view of a protective cover for a tablet computer showing our new design in a closed configuration; FIG. 2 is a second perspective view thereof; FIG. 3 is a top plan view thereof; FIG. 4 is a bottom plan view thereof; FIG. 5 is a front elevation view thereof; FIG. 6 is a rear elevation view thereof; FIG. 7 is a left side elevation view thereof; FIG. 8 is a right side elevation view thereof; FIG. 9 is a perspective view thereof shown in an open configuration; FIG. 10 is a second perspective view of the open configuration; FIG. 11 is a top plan view thereof; FIG. 12 is a bottom plan view thereof; FIG. 13 is a front elevation view thereof; FIG. 14 is a rear elevation view thereof; FIG. 15 is a left side elevation view thereof; and, FIG. 16 is a right side elevation view thereof. The broken lines represent environment that forms no part of the claim.

1 Claim, 9 Drawing Sheets



(56)

References Cited

U.S. PATENT DOCUMENTS

8,888,063 B2 * 11/2014 Mack F16M 11/00
248/121
D718,769 S * 12/2014 Bassil D14/440
8,971,030 B2 * 3/2015 Chen H04M 1/0214
361/679.26
D727,332 S * 4/2015 Hirsch D14/440
D730,853 S * 6/2015 Choi D14/126
D734,340 S * 7/2015 Kim D14/440
9,128,668 B2 * 9/2015 Johnson G06F 1/1626
D744,490 S * 12/2015 Hsu D14/440
9,201,476 B2 * 12/2015 Zhang G06F 1/203
9,204,718 B2 * 12/2015 Magaudda A47B 23/044
D748,097 S * 1/2016 Feng D14/440
D748,635 S * 2/2016 Hsu D14/440
D750,085 S * 2/2016 Hsu D14/440
2010/0110629 A1 * 5/2010 Dietz A45C 11/00
361/679.55
2011/0285258 A1 * 11/2011 Yuan G06F 1/1626
312/223.2
2012/0153116 A1 * 6/2012 Harrison A47B 23/044
248/460
2013/0088431 A1 * 4/2013 Ballagas G06F 1/1626
345/168
2013/0271373 A1 * 10/2013 Milhe G06F 1/1671
345/168
2014/0071654 A1 * 3/2014 Chien H01H 13/704
362/23.03
2015/0001105 A1 * 1/2015 Nyholm A45C 11/00
206/45.2

* cited by examiner

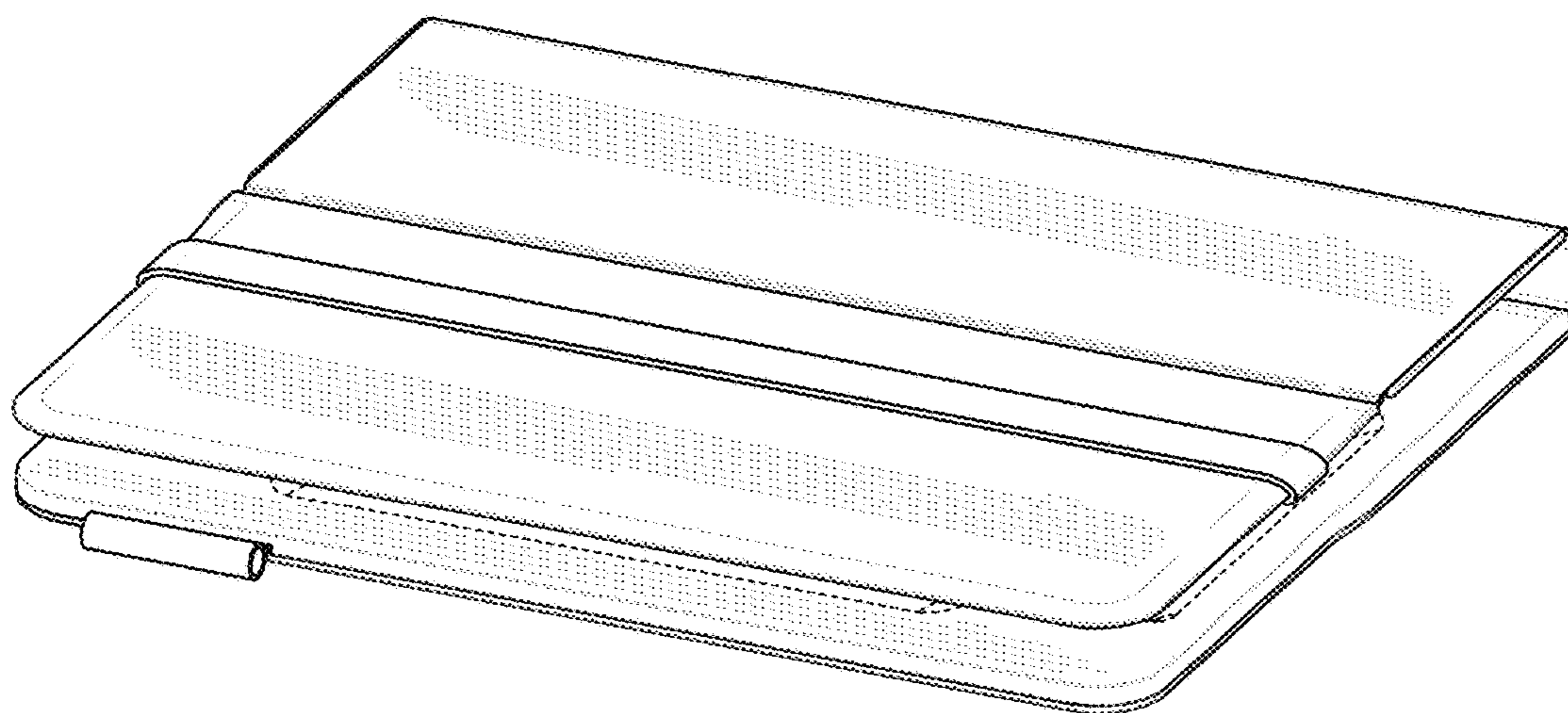


FIG. 1

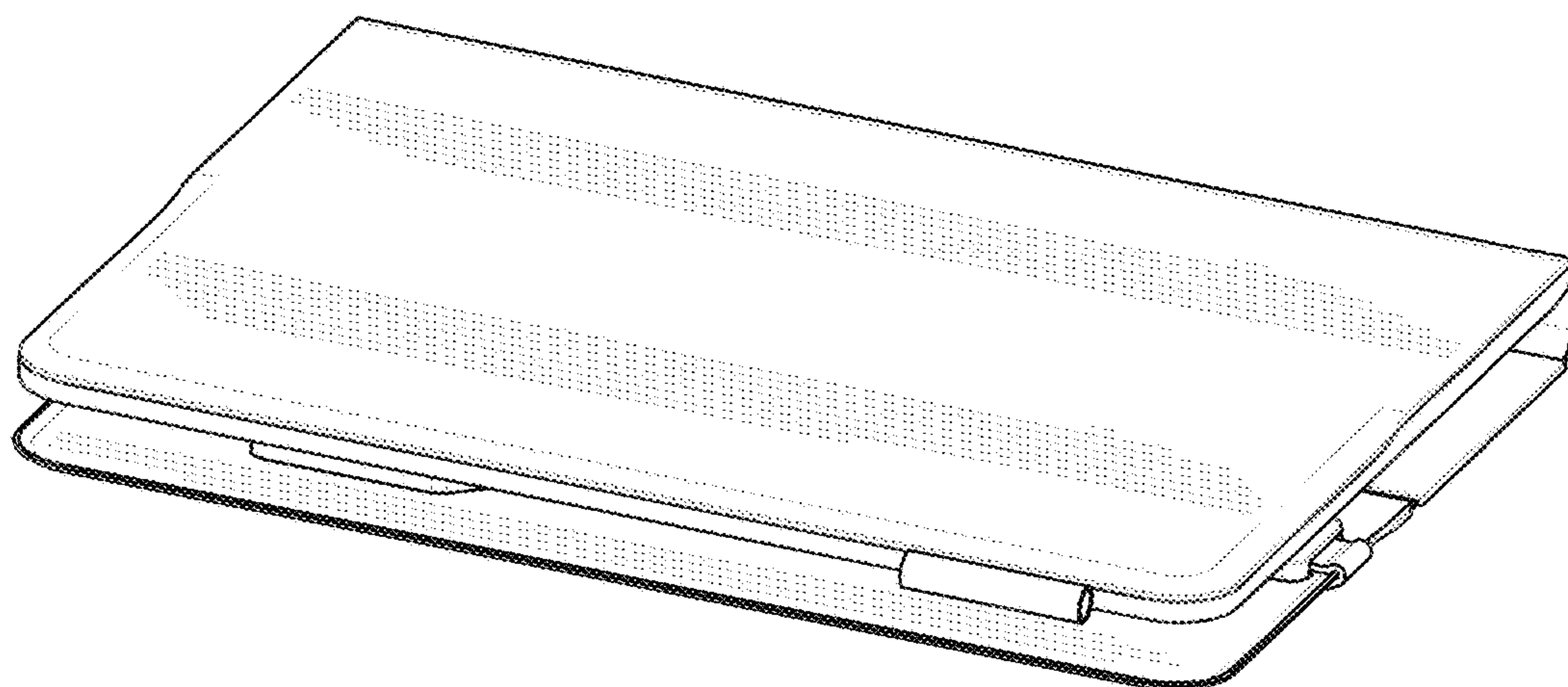


FIG. 2

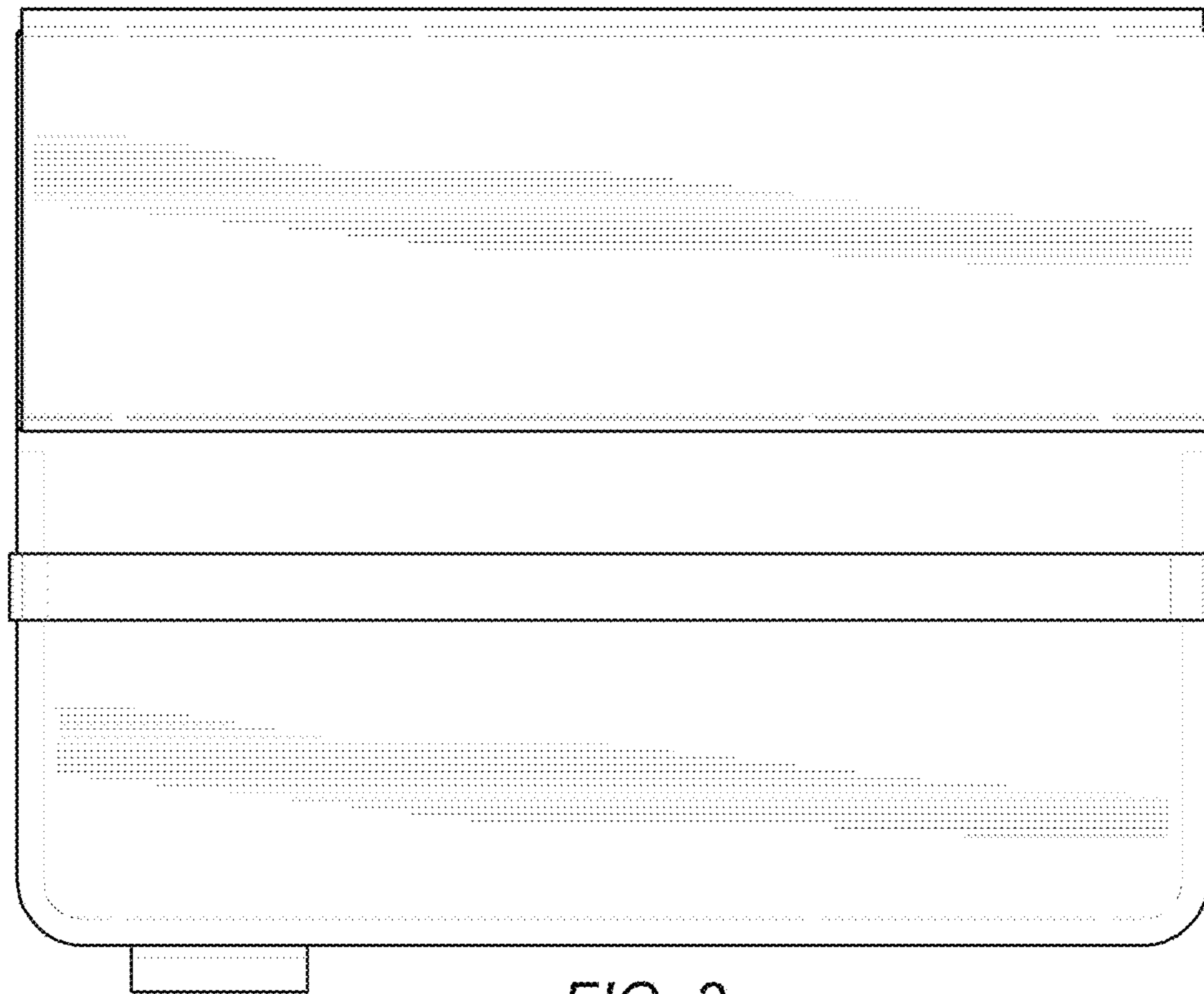


FIG. 3

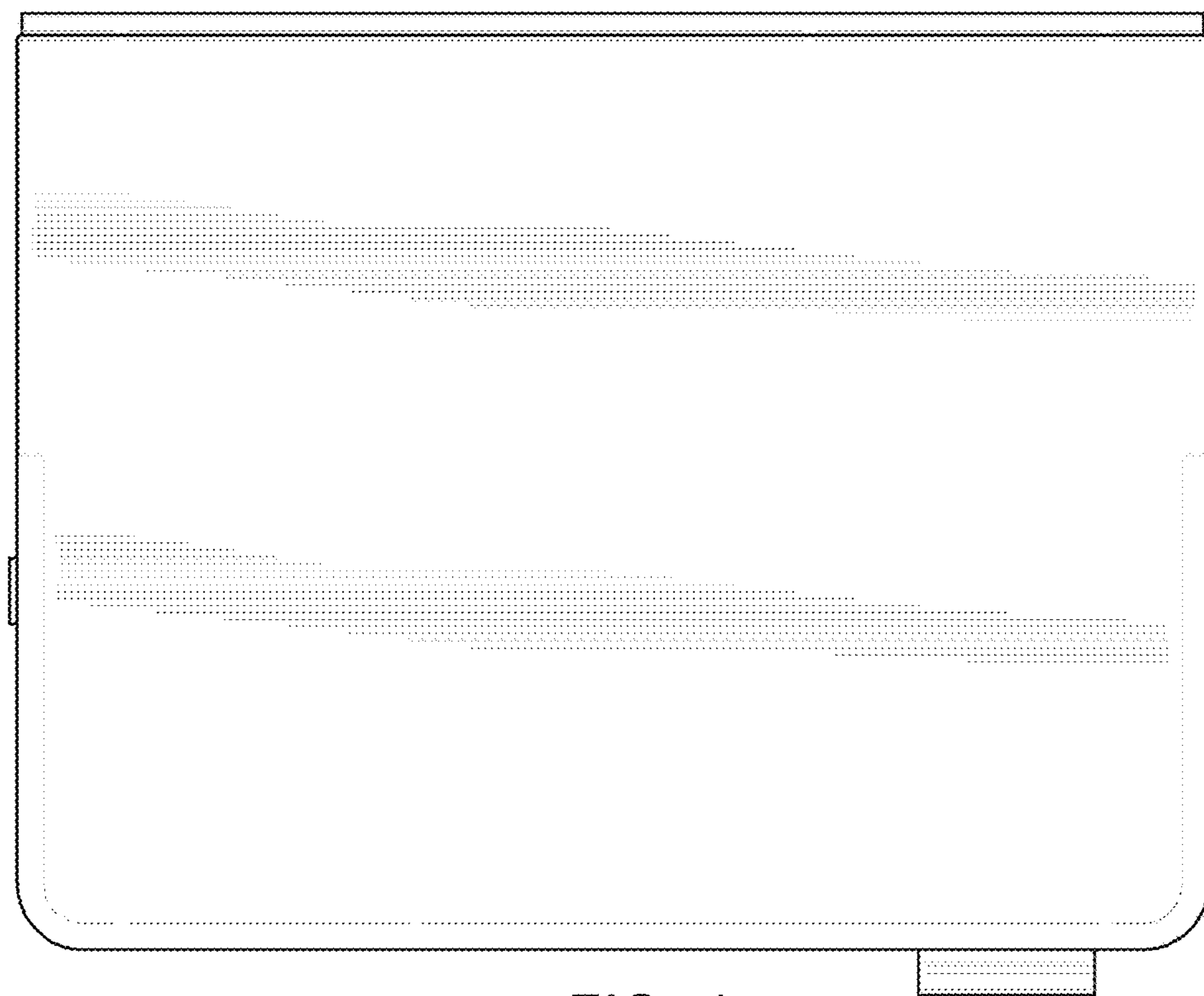


FIG. 4



FIG. 5

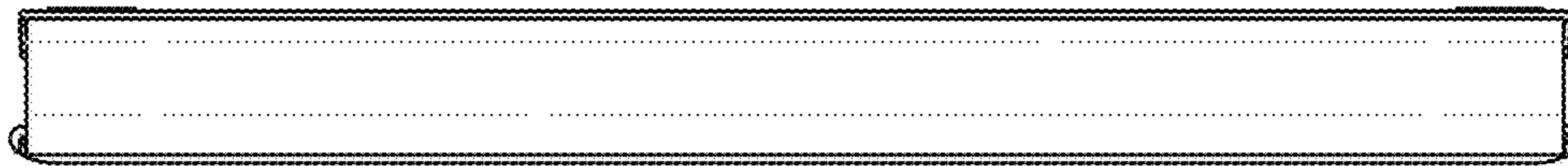


FIG. 6

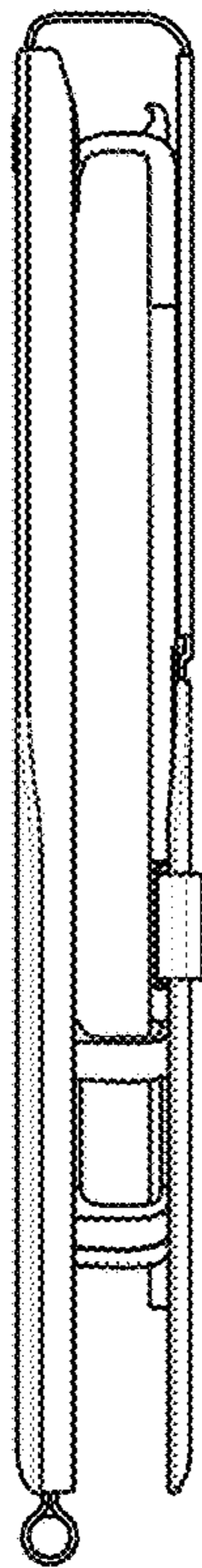


FIG. 7

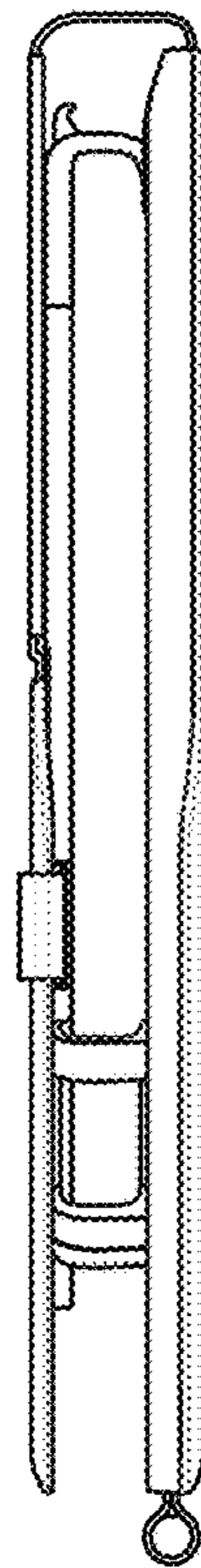


FIG. 8

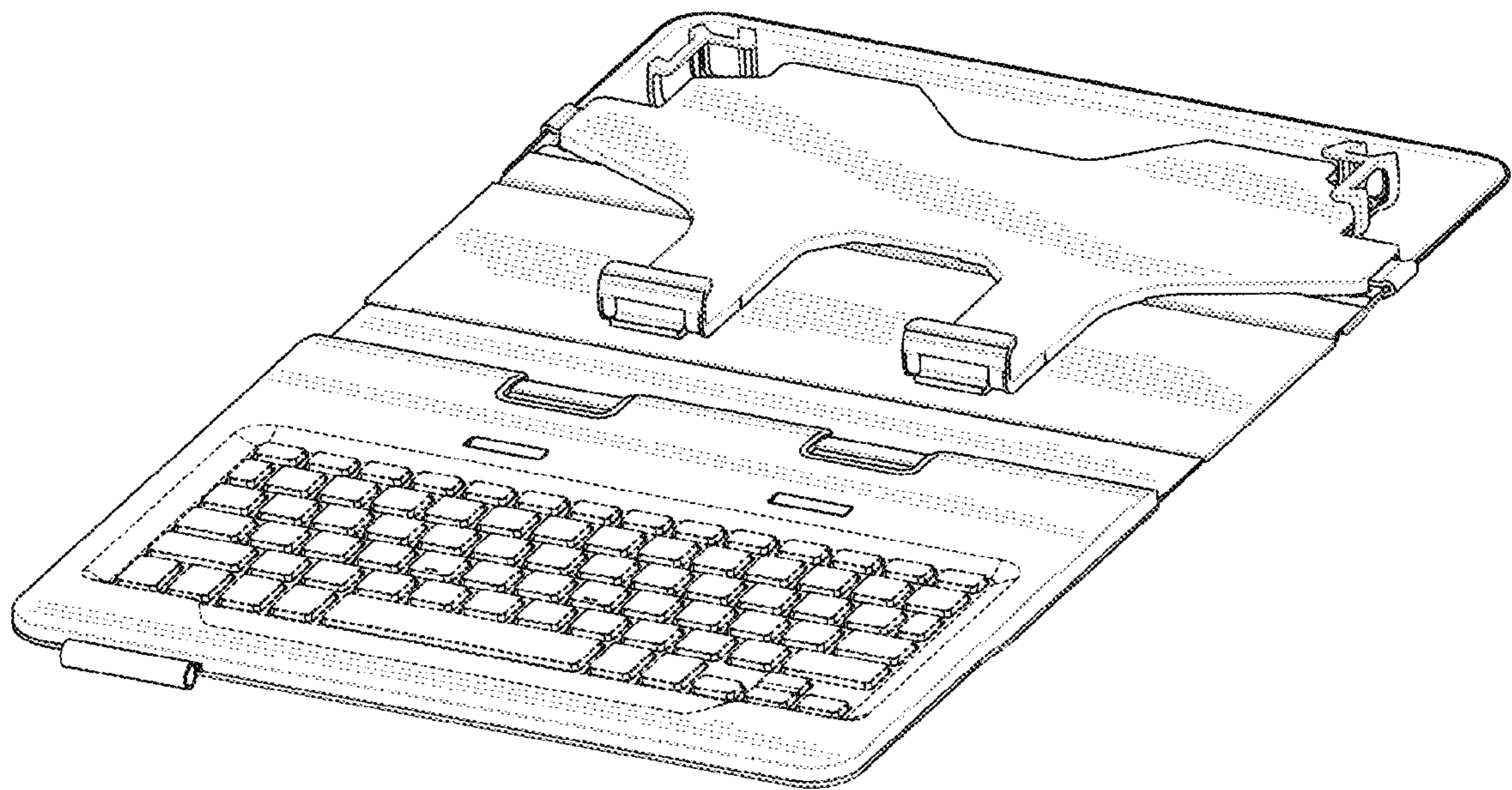


FIG. 9

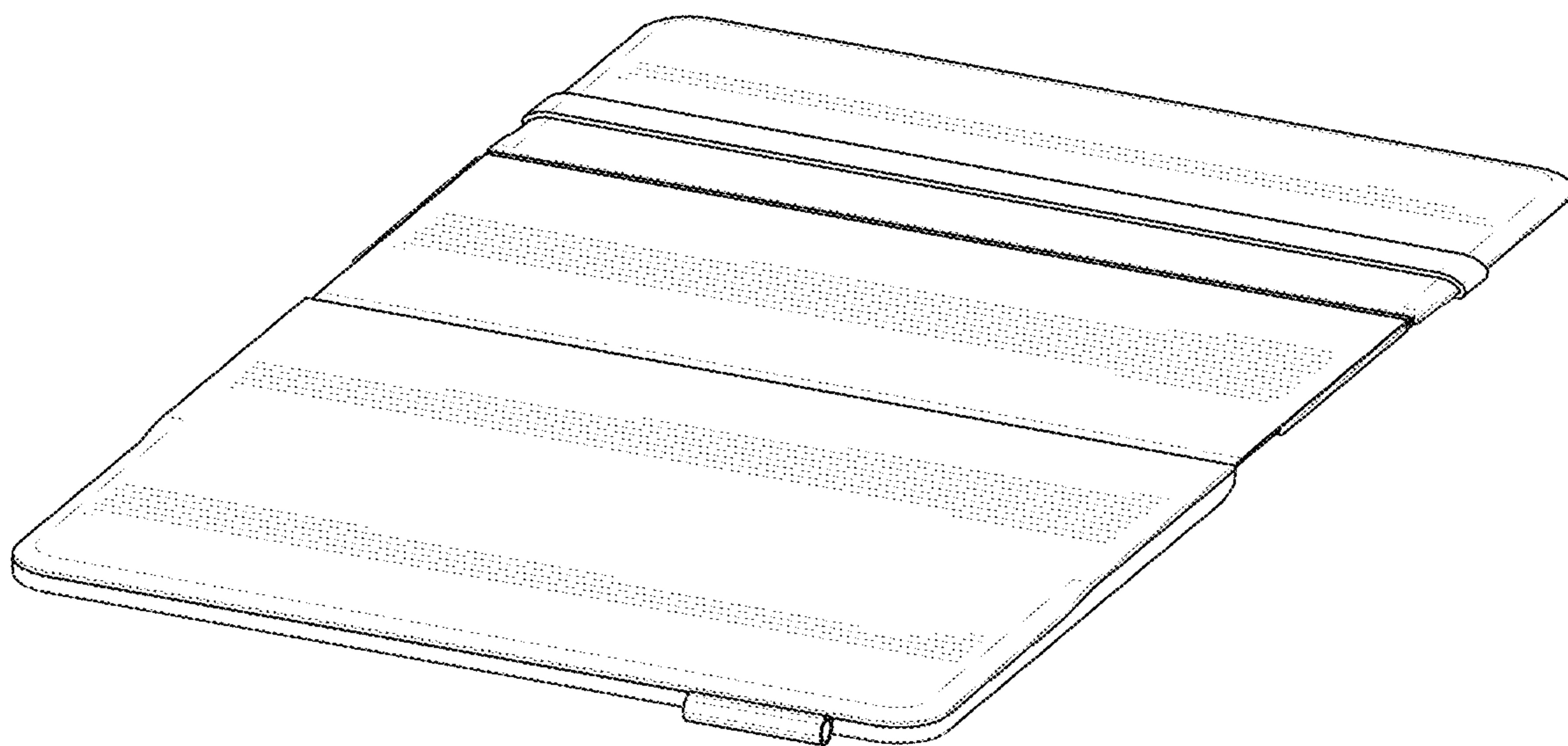


FIG. 10

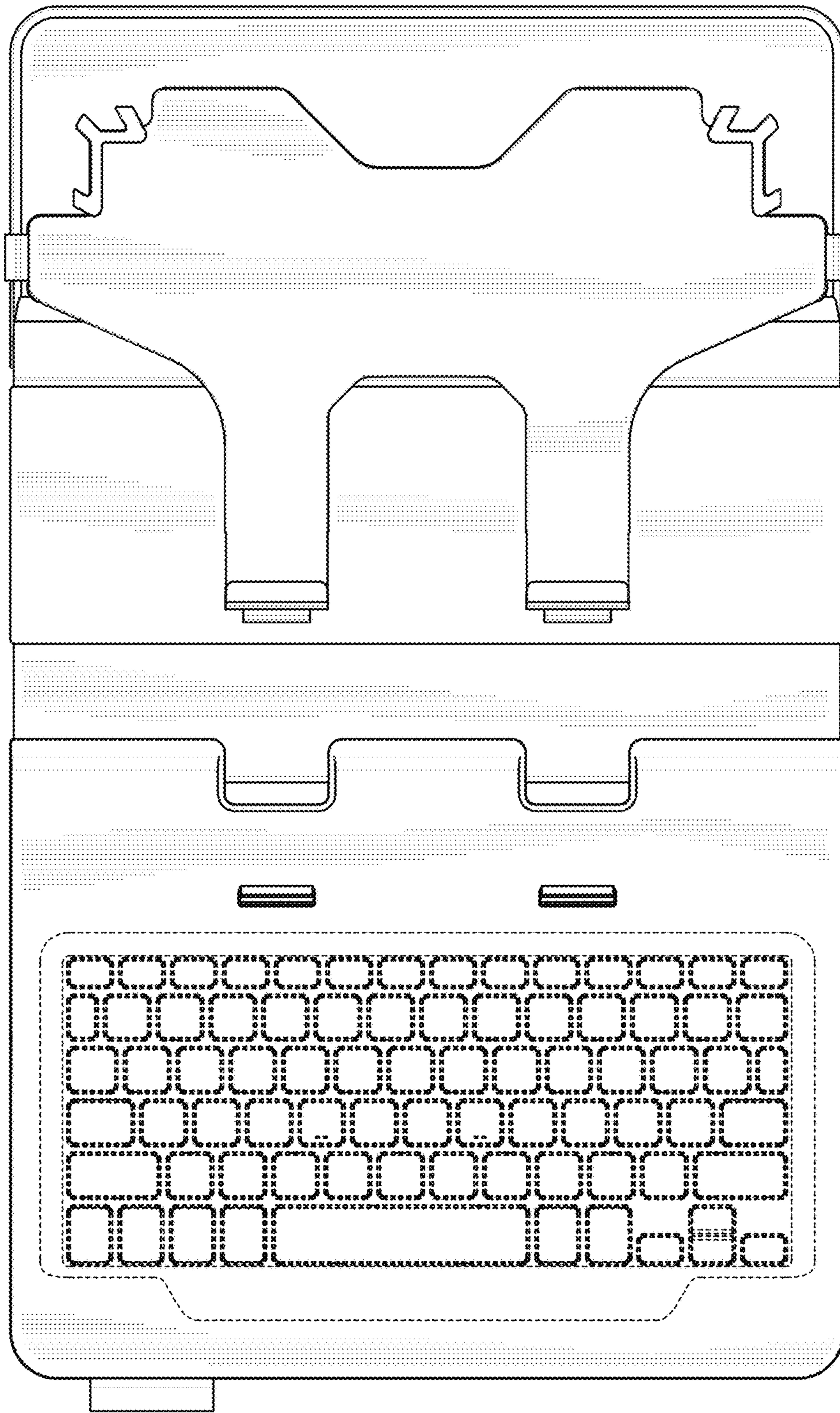


FIG. 11

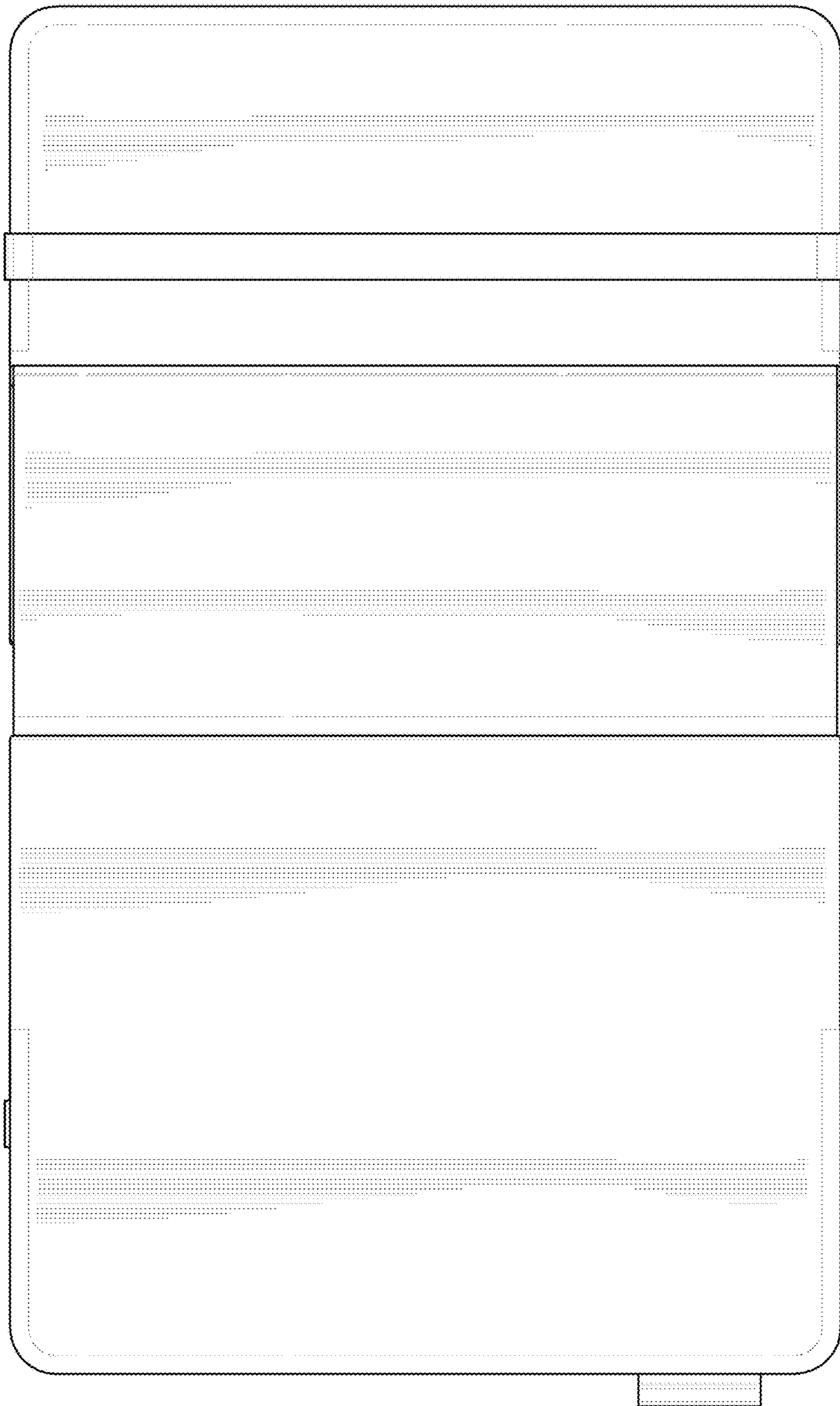


FIG. 12



FIG. 13



FIG. 14

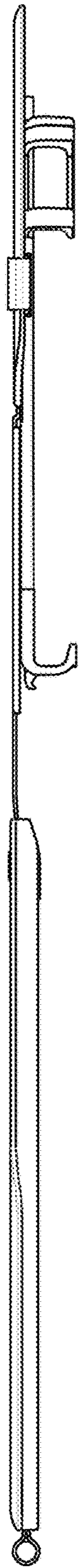


FIG. 15



FIG. 16