



US00D817960S

(12) **United States Design Patent**
Wolberg

(10) **Patent No.:** **US D817,960 S**
(45) **Date of Patent:** **** May 15, 2018**

- (54) **WIRELESS CONTROLLER**
- (71) Applicant: **PageFlip, Inc.**, Woodmere, NY (US)
- (72) Inventor: **George Wolberg**, Woodmere, NY (US)
- (73) Assignee: **PageFlip Inc.**, Woodmere, NY (US)
- (**) Term: **15 Years**
- (21) Appl. No.: **29/586,343**
- (22) Filed: **Dec. 2, 2016**
- (51) **LOC (11) Cl.** **14-02**
- (52) **U.S. Cl.**
USPC **D14/419**; D21/333; D14/401
- (58) **Field of Classification Search**
USPC D14/399-401, 412-416, 217, 496;
D21/324, 333, 328; 273/148 B; 463/1,
463/29-39, 46, 47; 345/156-161, 905, 30
CPC A63F 3/00; A63F 7/00; A63F 9/24
See application file for complete search history.

- D658,649 S * 5/2012 Mody D14/397
- D744,596 S * 12/2015 Young D14/401
- 9,271,701 B2 * 3/2016 Malkowski A61B 17/00
- 9,835,317 B2 * 12/2017 Yuan F21V 21/116
- 9,841,154 B2 * 12/2017 Sorenson F21S 8/086

OTHER PUBLICATIONS

Picture of Firefly wireless controller by PageFlip, launched at NAMM 2014 trade show on Jan. 23, 2014.
Picture of Cicada wireless controller by PageFlip, launched at NAMM 2011 trade show on Jan. 13, 2011.
<http://www.airturn.com/products>. AirTurn website with products.

* cited by examiner

Primary Examiner — Prabhakar G Deshmukh
(74) *Attorney, Agent, or Firm* — Stern & Schurin LLP

(57) **CLAIM**

The ornamental design for a wireless controller, as shown and described.

DESCRIPTION

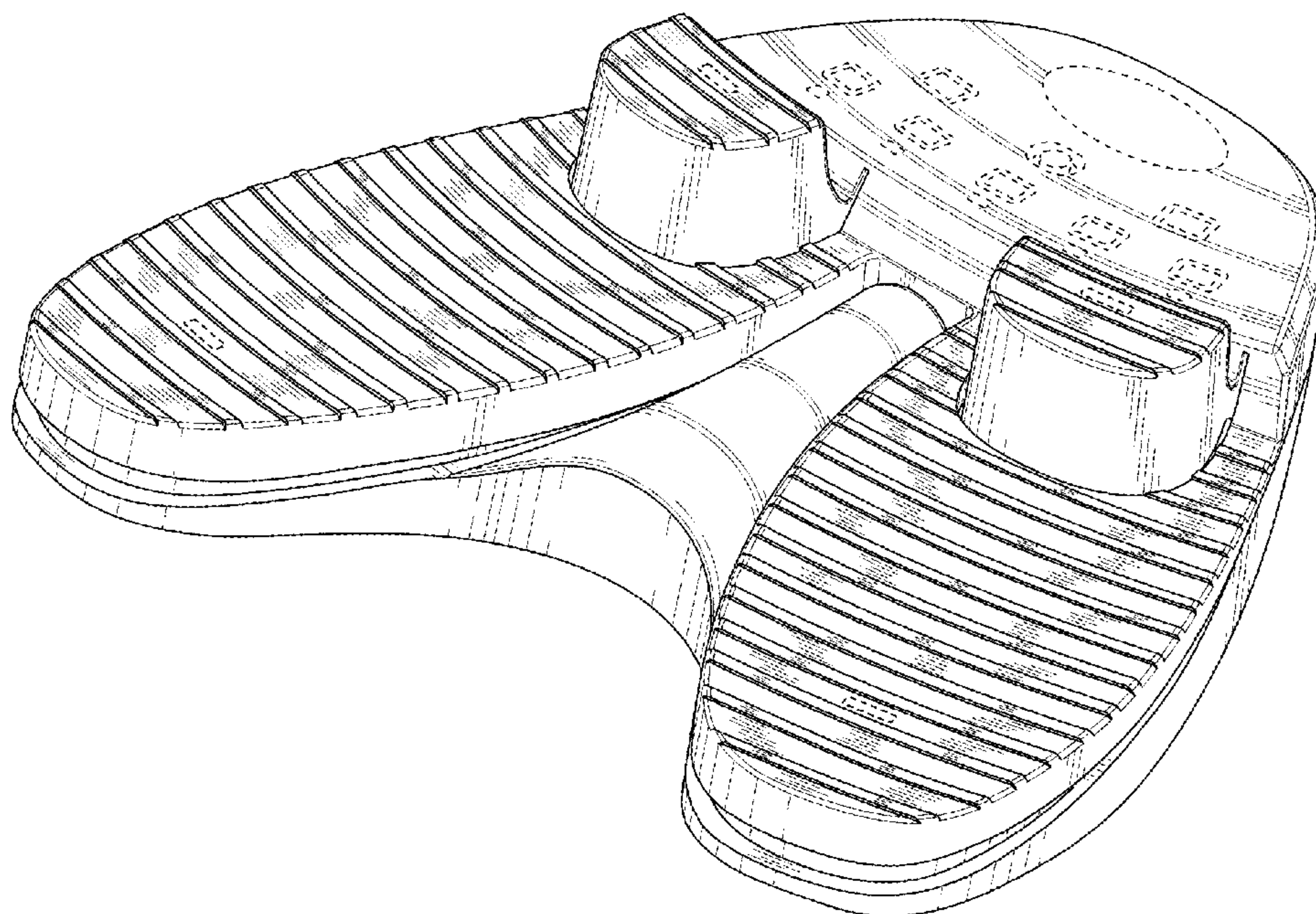
FIG. 1 is a top, rear and right-side perspective view showing a first embodiment of my new design for a wireless controller;
FIG. 2 is a right side view thereof;
FIG. 3 is a left side view thereof;
FIG. 4 is a rear elevational view thereof;
FIG. 5 is a front elevational view thereof;
FIG. 6 is a top plan view thereof; and,
FIG. 7 is a bottom plan view thereof.
Broken lines in the figures illustrate features of the wireless controller that form no part of the claim.

1 Claim, 5 Drawing Sheets

(56) **References Cited**

U.S. PATENT DOCUMENTS

- 5,394,168 A * 2/1995 Smith, III A63F 13/04
345/156
- D363,320 S * 10/1995 Barthelemy D14/401
- D368,496 S * 4/1996 Seger D14/419
- 5,757,100 A * 5/1998 Burgbacher H02K 21/02
29/596
- 5,874,906 A * 2/1999 Willner G06F 3/0219
341/20
- D417,211 S * 11/1999 Kaneko D14/401
- D438,178 S * 2/2001 Hames D14/401
- D585,945 S * 2/2009 Yamashita D14/419



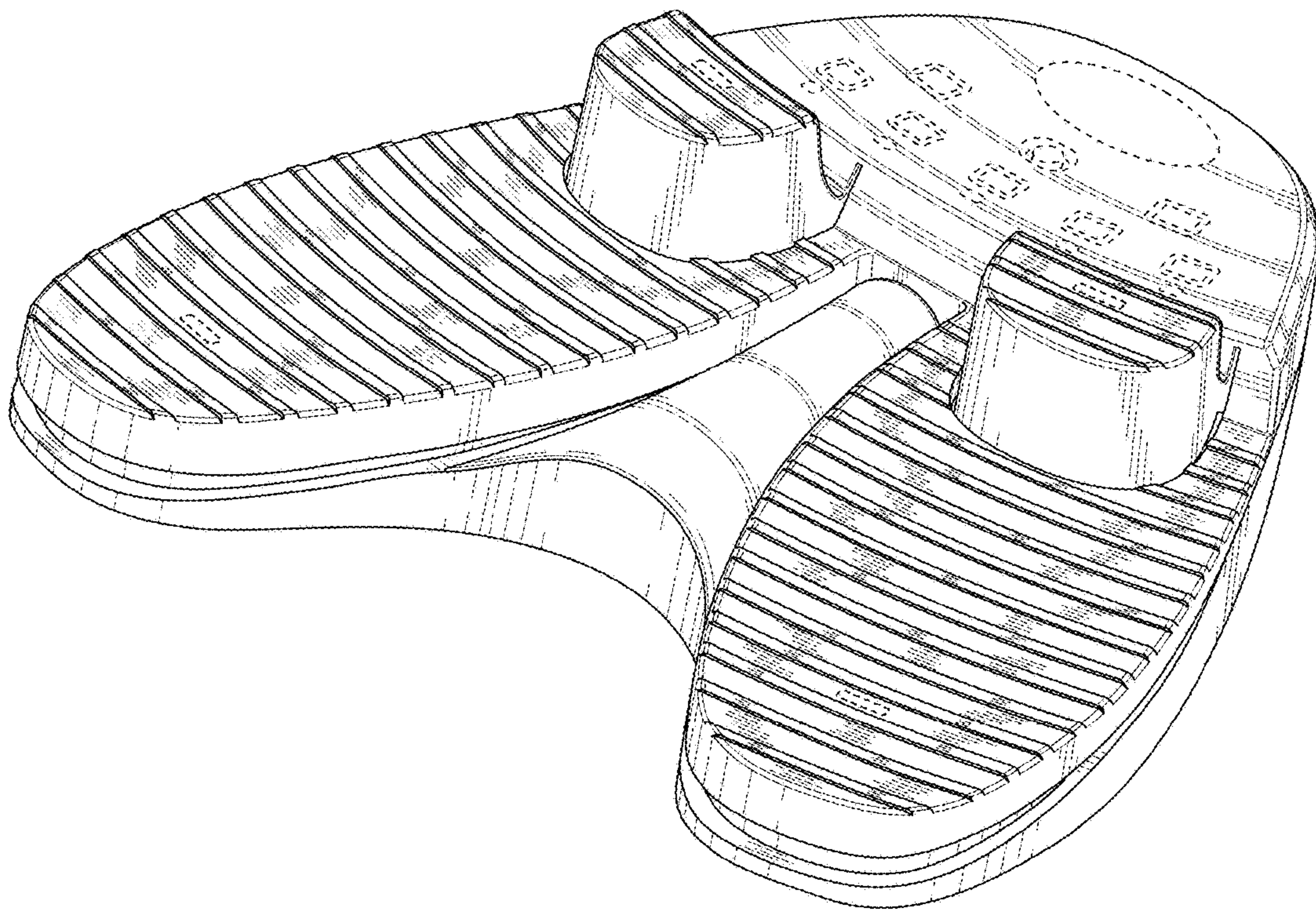


FIG. 1

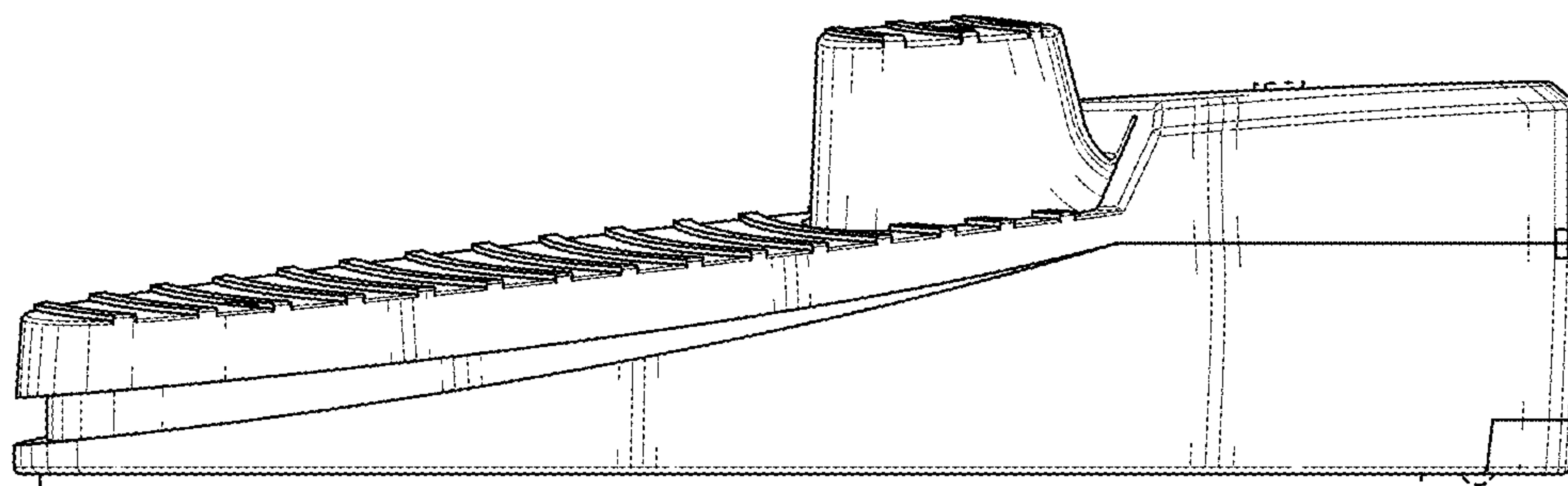


FIG. 2

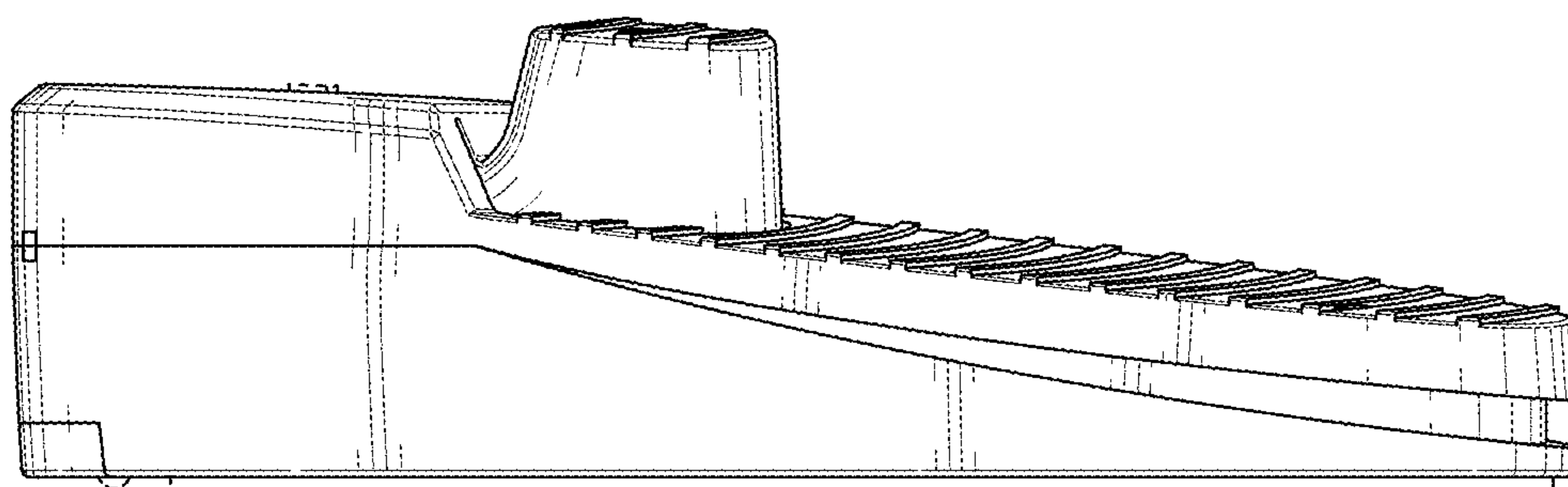


FIG. 3

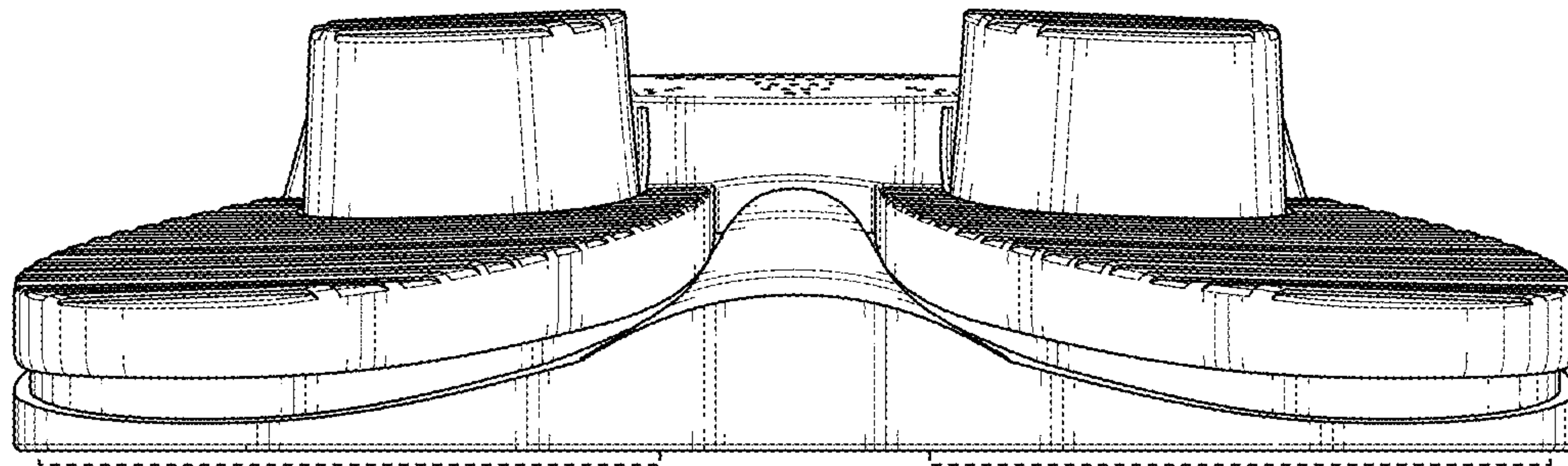


FIG. 4

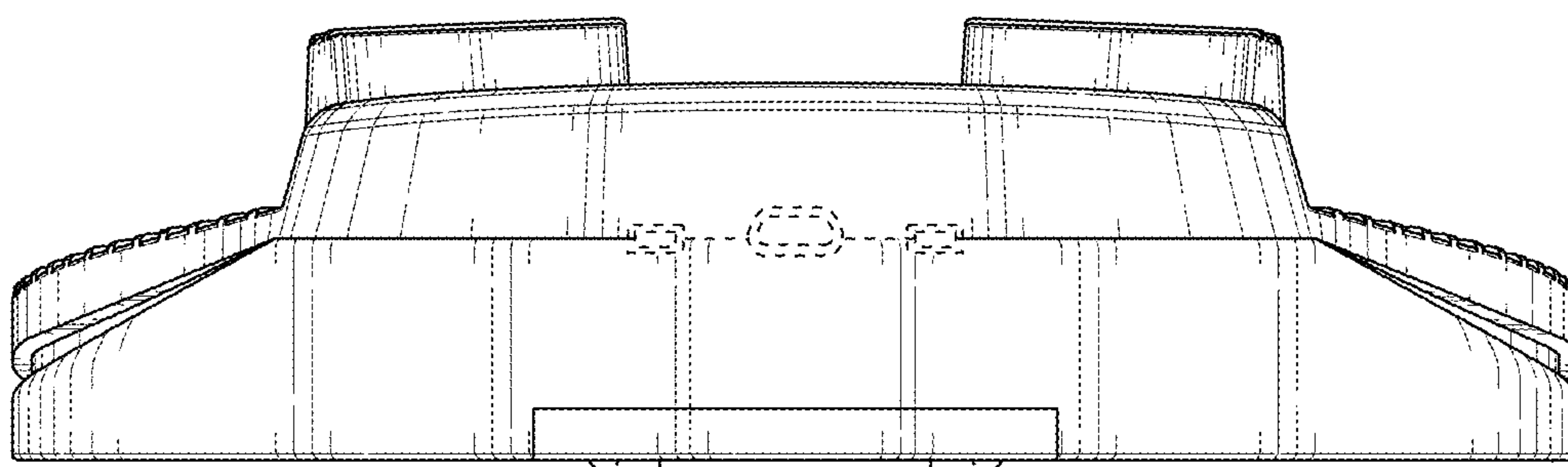


FIG. 5

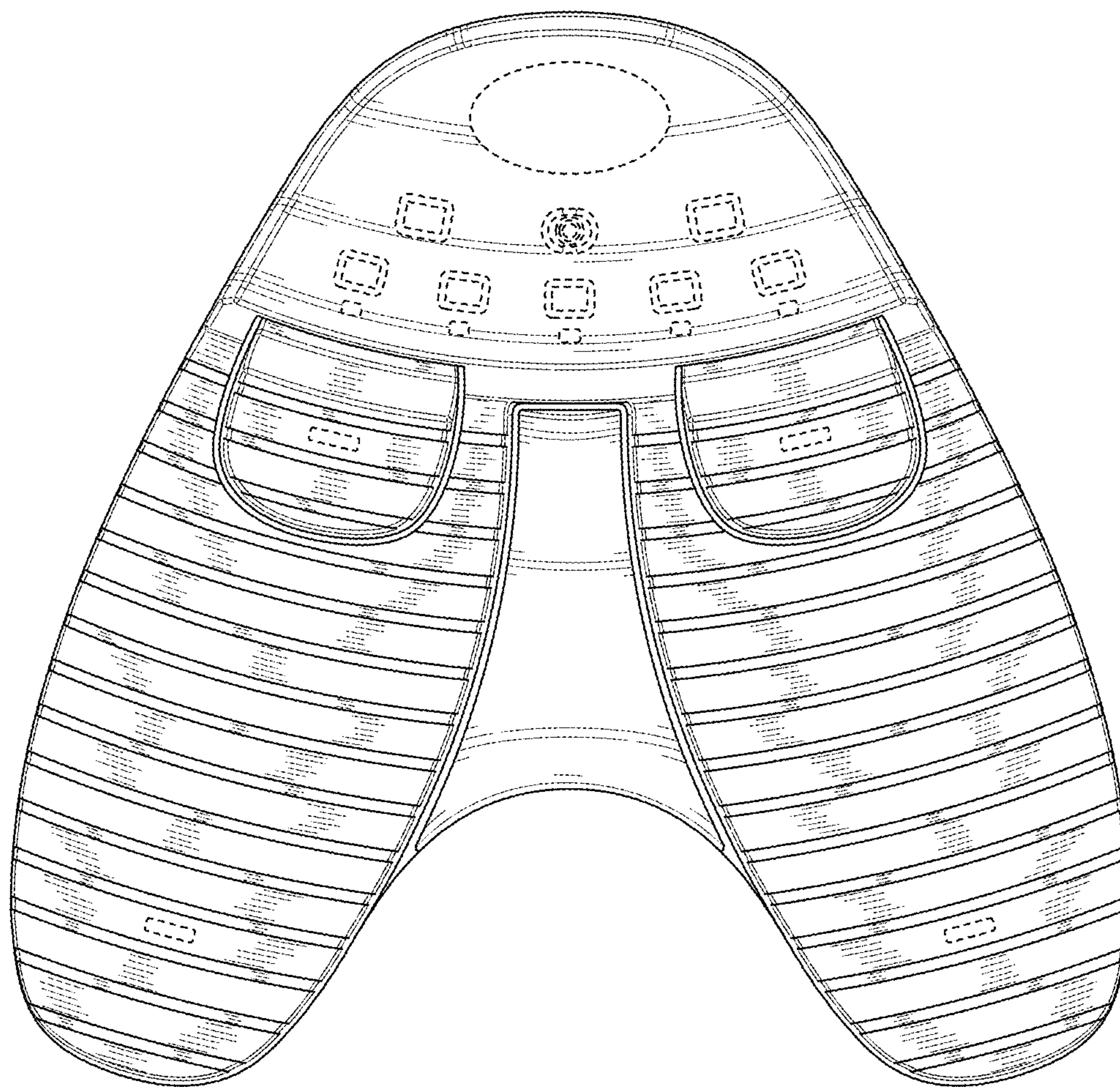


FIG. 6

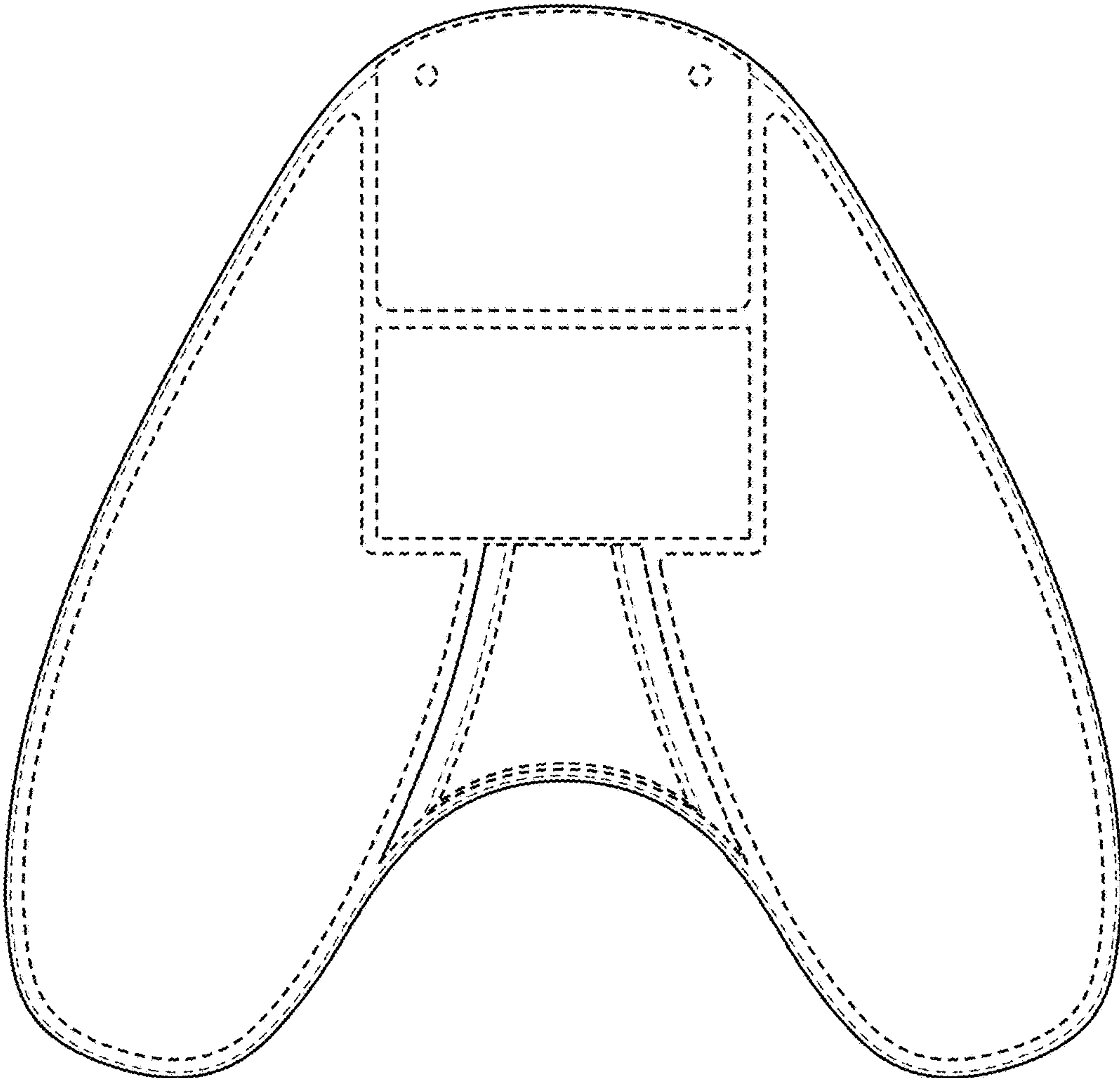


FIG. 7