



US00D817959S

(12) **United States Design Patent**
Varotto

(10) **Patent No.:** **US D817,959 S**

(45) **Date of Patent:** **** May 15, 2018**

- (54) **KEY PROFILE READER**
- (71) Applicant: **Keyline S.P.A.**, Conegliano (IT)
- (72) Inventor: **Paolo Varotto**, Vigonza (IT)
- (73) Assignee: **Keyline S.P.A.**, Conegliano (IT)
- (**) Term: **15 Years**

D516,069 S *	2/2006	Kuroda	D14/384
D518,050 S *	3/2006	Wood	D14/384
D522,510 S *	6/2006	Su	D14/384
D538,940 S *	3/2007	Baldachini	D24/209
D542,291 S *	5/2007	Kang	D14/384
D584,730 S *	1/2009	Lin	D14/383
D701,508 S *	3/2014	Bauermeister	D14/384
D703,205 S *	4/2014	Tamura	D14/383
D795,255 S *	8/2017	Avetisov	D14/384

* cited by examiner

- (21) Appl. No.: **29/581,494**
- (22) Filed: **Oct. 19, 2016**
- (51) **LOC (11) Cl.** **14-02**
- (52) **U.S. Cl.**
USPC **D14/384**; D14/383
- (58) **Field of Classification Search**
USPC D14/300-302, 313, 314, 341, 348-370,
D14/383, 385, 432, 436, 496, 125, 135,
D14/134, 155, 167, 168, 230, 231, 233,
D14/235, 237, 240-242, 299; D10/65,
D10/75, 78; D13/103, 149, 162, 184,
D13/199; D18/4.4-4.6, 12.1, 56;
361/679.31-679.45, 752; 711/100, 115;
382/115, 124; 356/71; 235/380, 461,
235/382, 472.01, 472.02; D3/201, 273
CPC G06K 9/00006; G06K 7/0013; G06K
9/00026; G06F 21/00; G06Q 30/00
See application file for complete search history.

Primary Examiner — Austin Murphy
(74) *Attorney, Agent, or Firm* — Stetina Brunda Garred & Brucker

(57) **CLAIM**

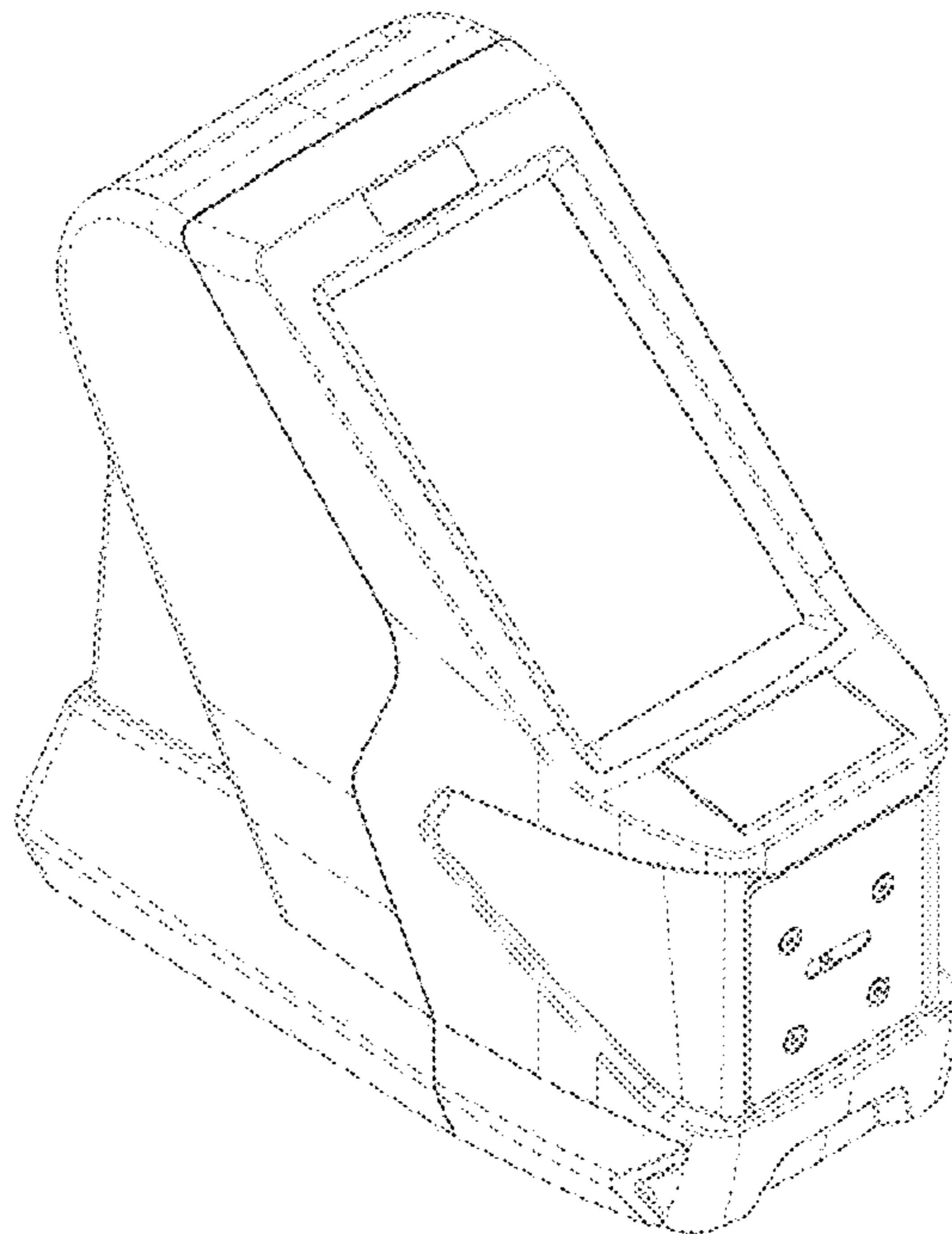
The ornamental design for a key profile reader, as shown and described.

DESCRIPTION

FIG. 1 is a front perspective view of the key profile reader of the present invention showing my new design;
FIG. 2 is a right side view thereof;
FIG. 3 is a left side view thereof;
FIG. 4 is a front view thereof;
FIG. 5 is a rear view thereof;
FIG. 6 is a top view thereof; and,
FIG. 7 is a bottom view thereof.

- (56) **References Cited**
U.S. PATENT DOCUMENTS
D425,881 S * 5/2000 Borza D14/384
D487,266 S * 3/2004 Morimiya D14/384

1 Claim, 7 Drawing Sheets



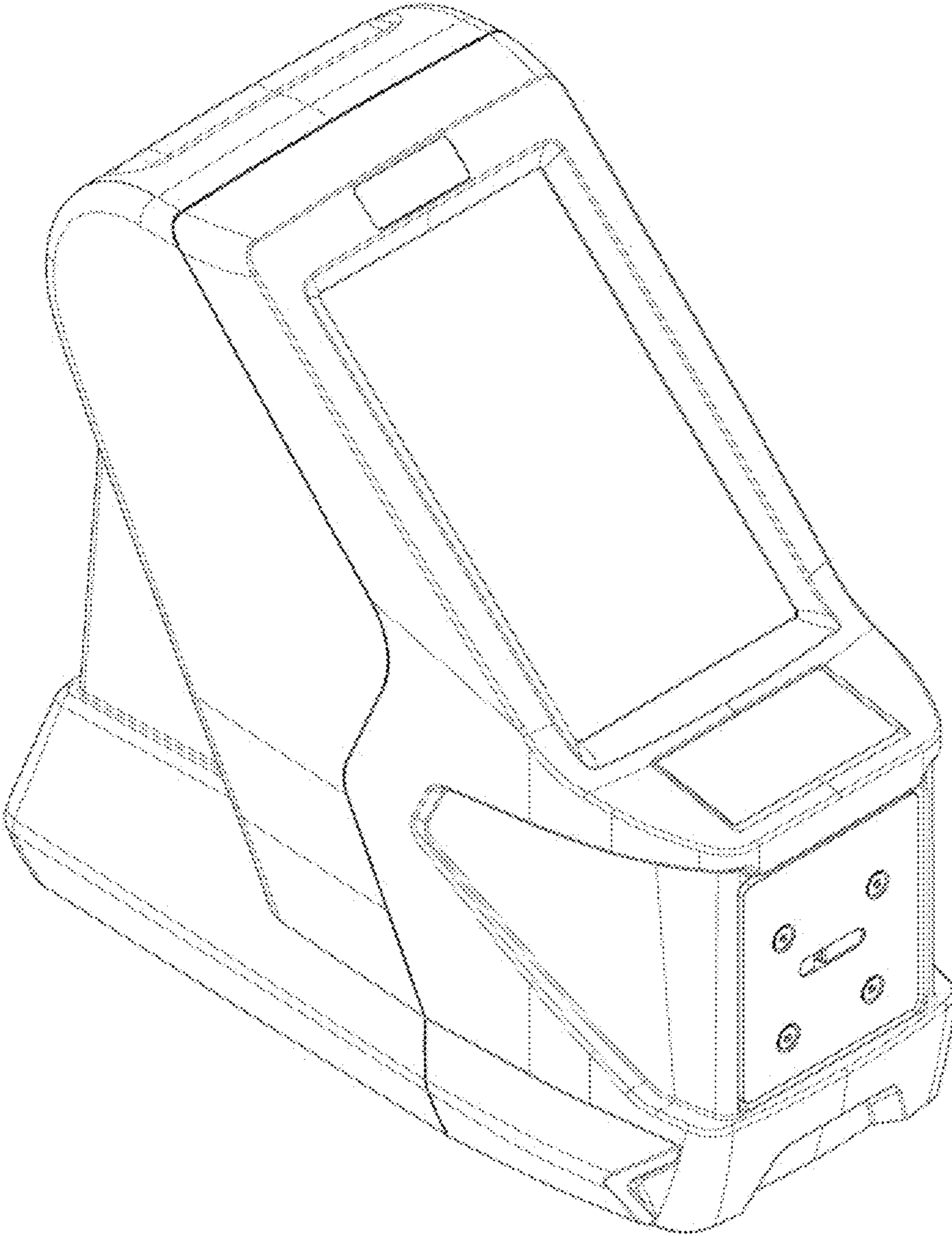


Fig. 1

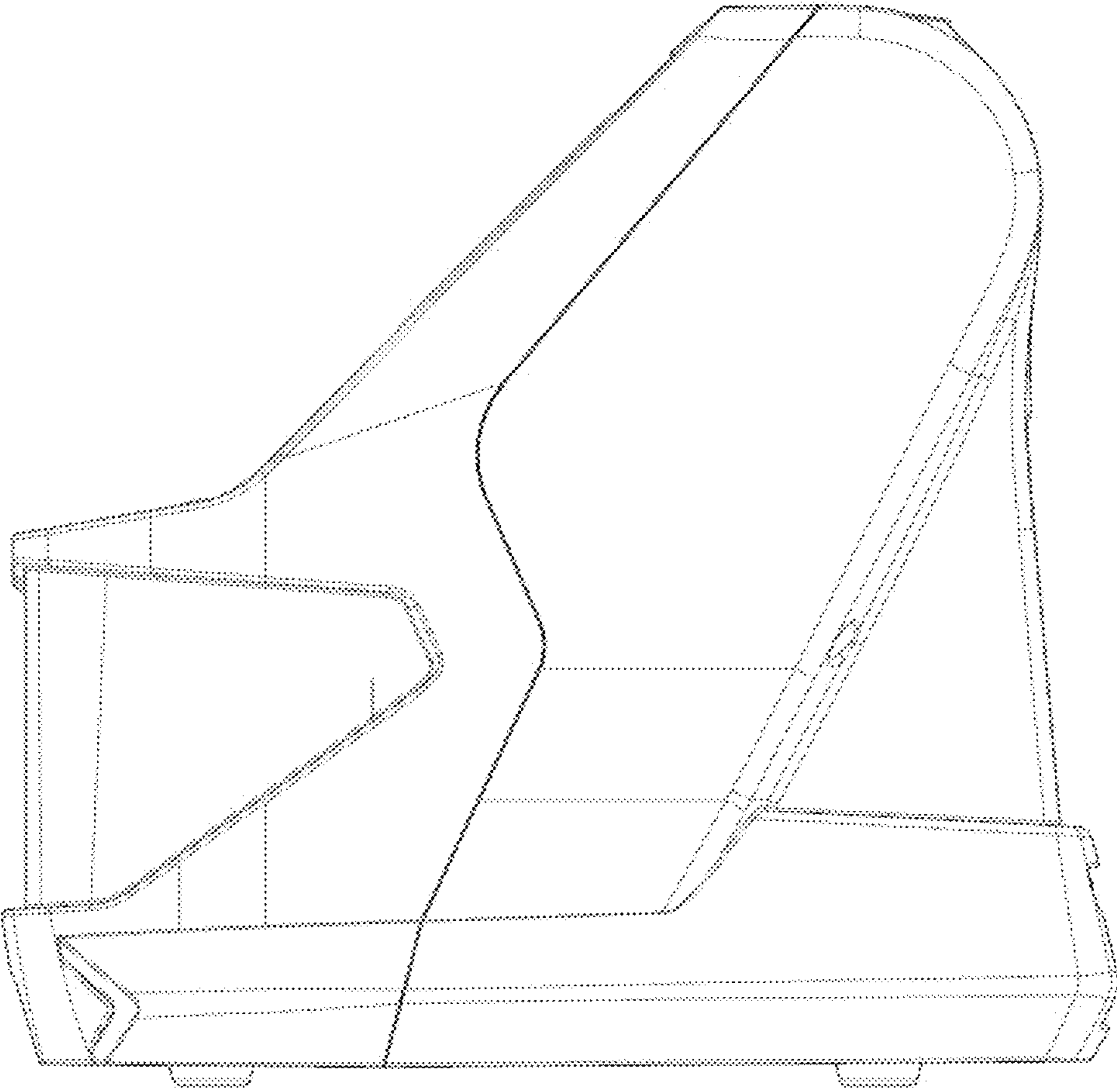


Fig. 2

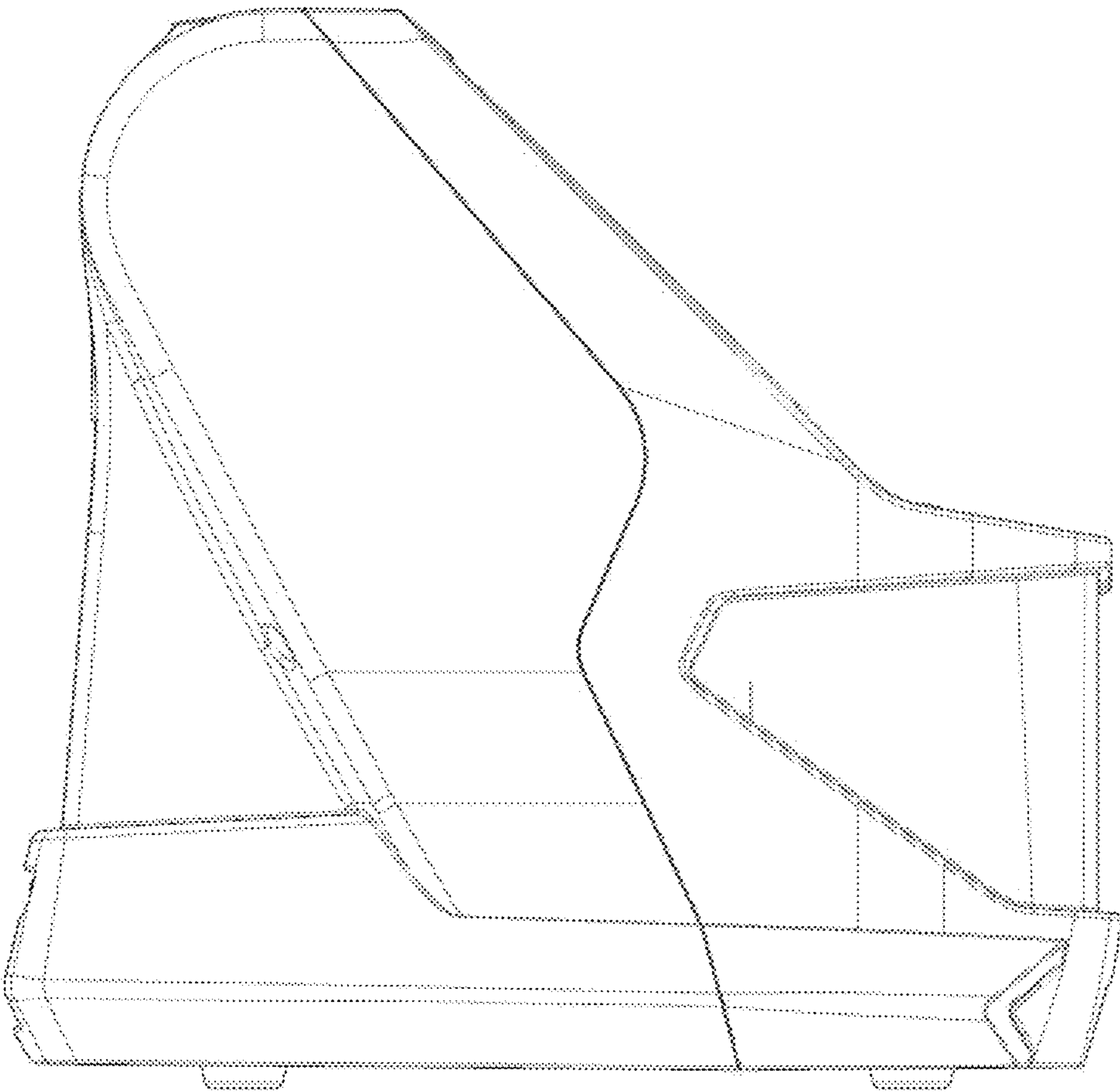


Fig. 3

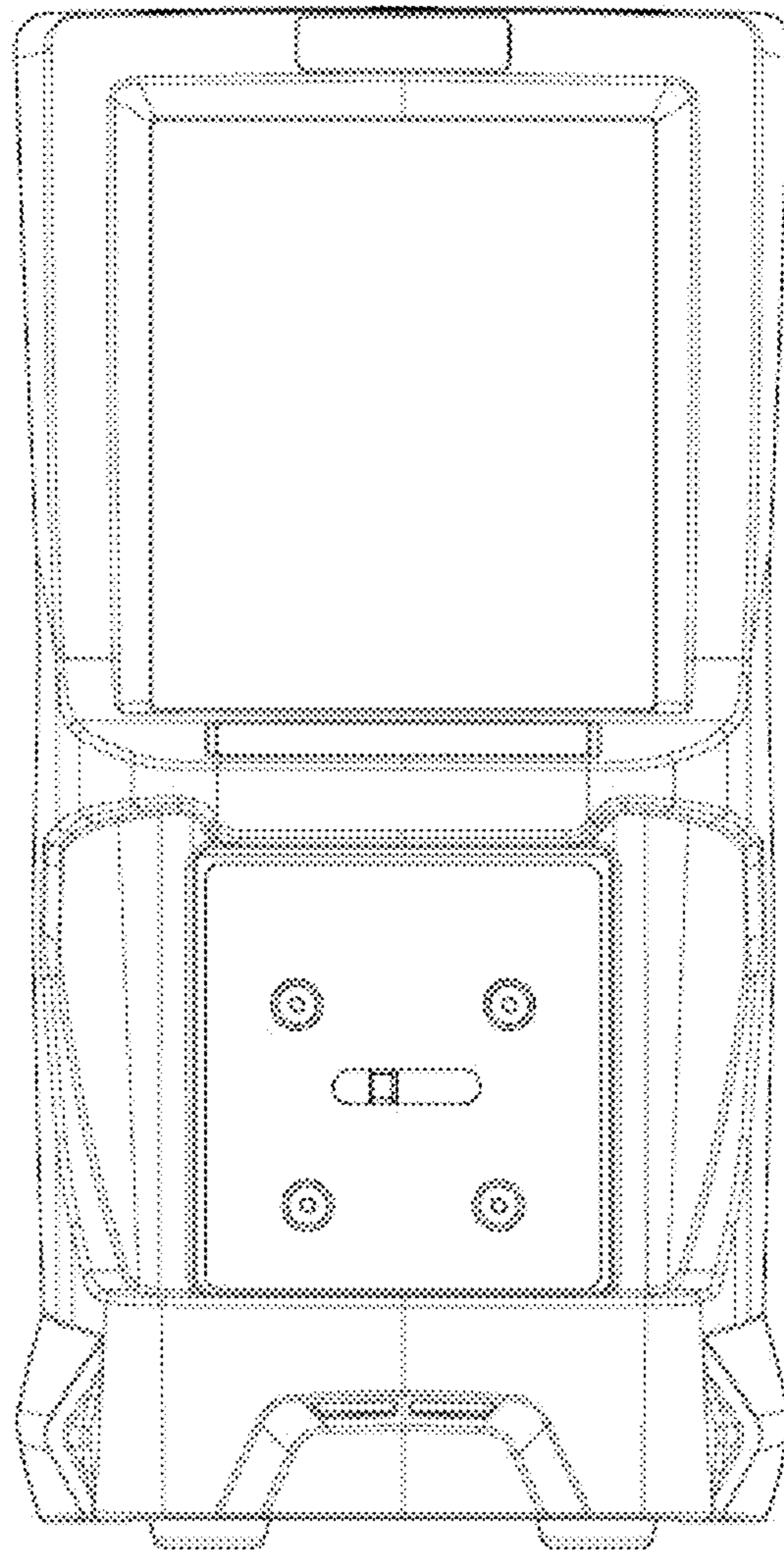


Fig. 4

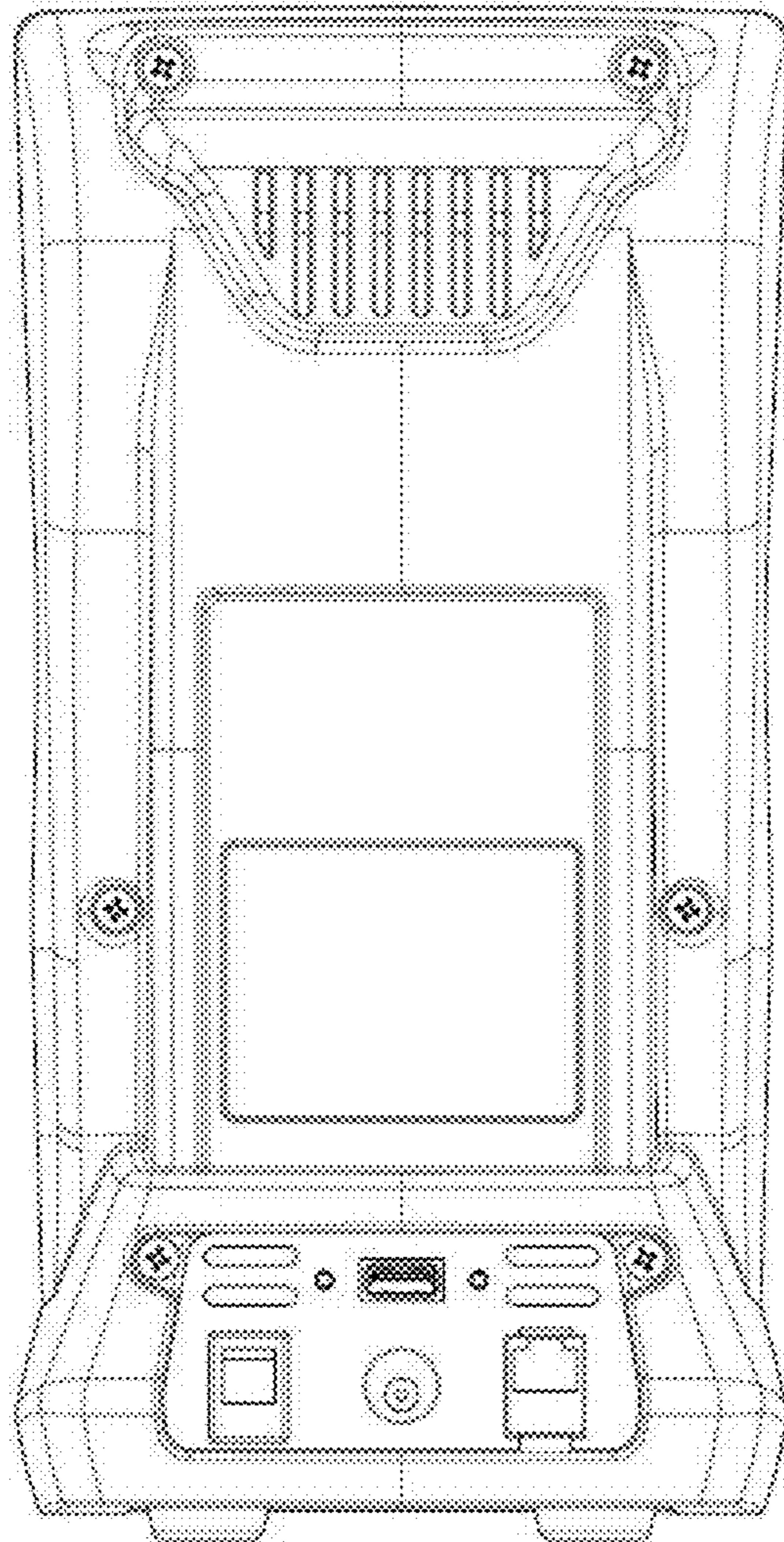


Fig. 5

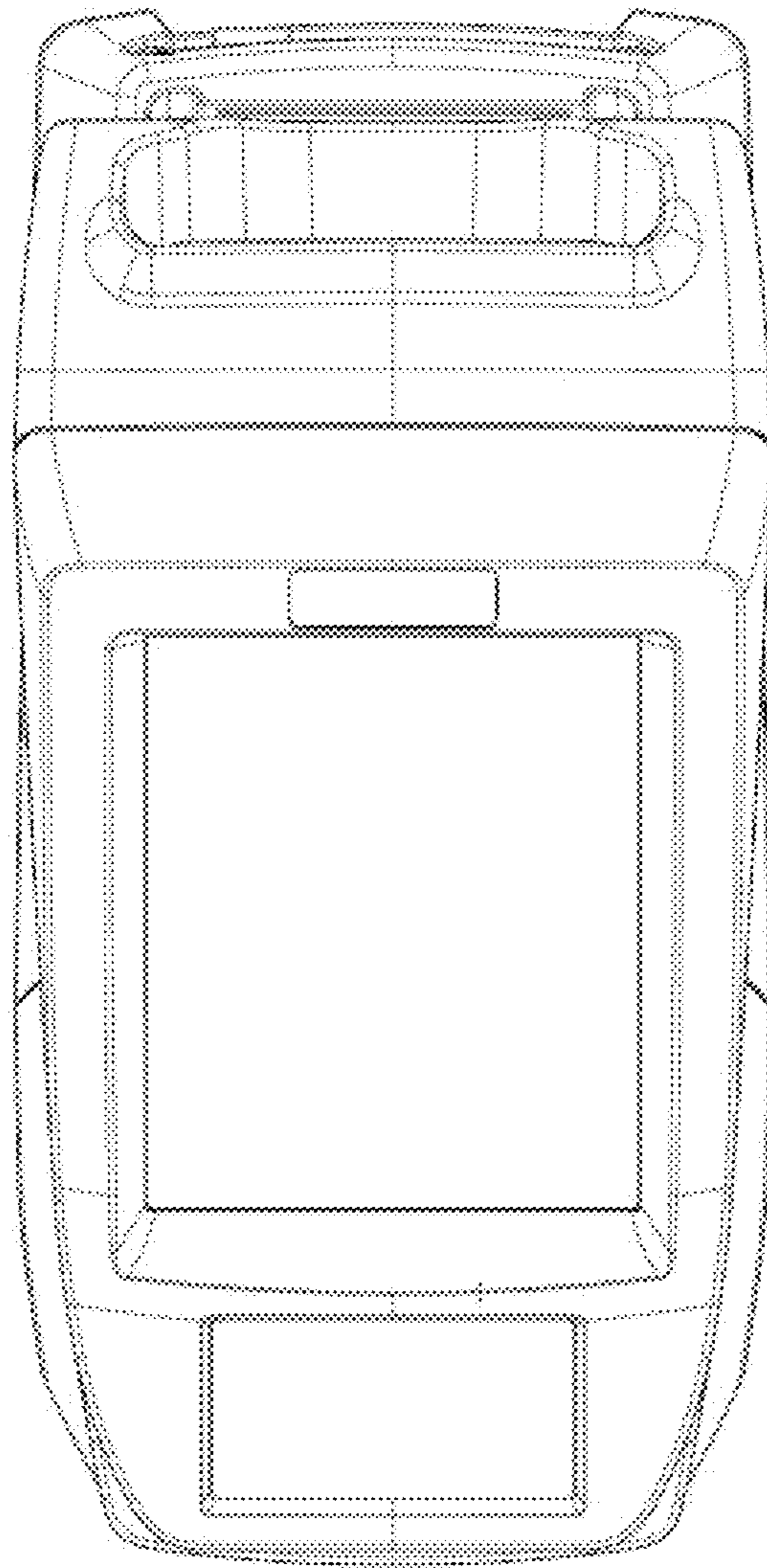


Fig. 6

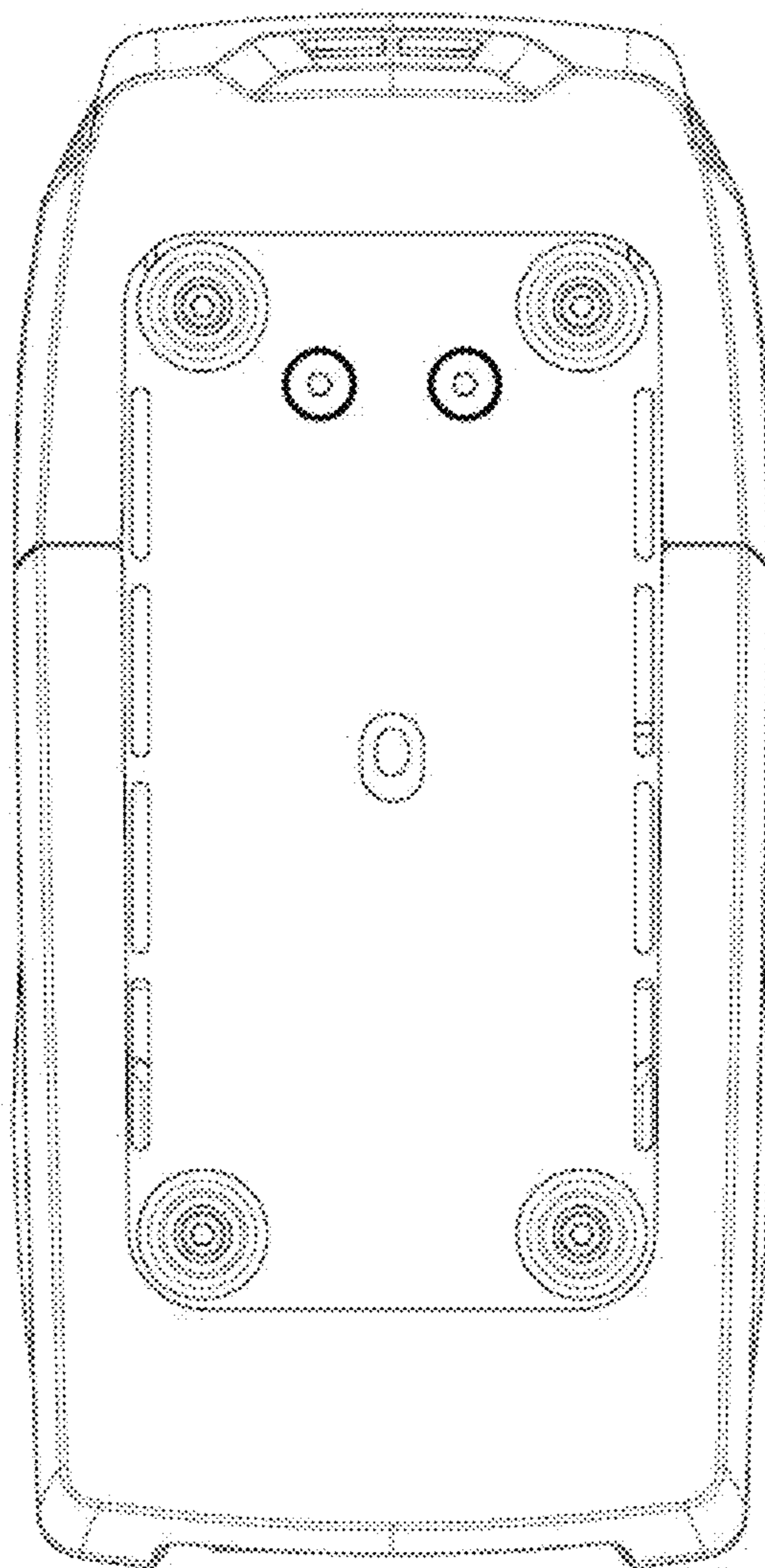


Fig. 7