



US00D817953S

(12) **United States Design Patent**
Choi et al.

(10) **Patent No.: US D817,953 S**
(45) **Date of Patent: ** May 15, 2018**

(54) **PORTABLE ELECTRONIC DEVICE**

- (71) Applicant: **Samsung Electronics Co., Ltd.**, Suwon-si (KR)
- (72) Inventors: **Kwangha Choi**, Seoul (KR); **Sanhui Oh**, Seoul (KR); **Yongseok Bang**, Yongin-si (KR); **Jaehyung Hong**, Seoul (KR)
- (73) Assignee: **SAMSUNG ELECTRONICS CO., LTD.**, Suwon-si (KR)
- (**) Term: **15 Years**
- (21) Appl. No.: **29/582,594**
- (22) Filed: **Oct. 28, 2016**
- (30) **Foreign Application Priority Data**

Jul. 18, 2016 (KR) 30-2016-0034888

(51) **LOC (11) Cl.** **14-02**

(52) **U.S. Cl.**
USPC **D14/344**

(58) **Field of Classification Search**
USPC D14/344, 218; D10/30-39, 70, 98; D11/3, 93-94; D14/138 R, 144, 341, D14/358, 485-489, 218; D24/167, 169, D24/186-187; 361/679.03; 379/433.1; D13/108
CPC .. A41D 1/002; G06F 1/04; G06F 1/08; G06F 1/10; G06F 1/14; G06F 1/1626; G06F 1/1628; G06F 1/163; G06F 1/1635; G06F 1/3203; G06Q 20/10; G06Q 20/12; G06Q 20/108; G06Q 20/145; H04B 1/3833; H04B 1/385; H04B 1/3888; H04M 1/02; H04M

(Continued)

(56) **References Cited**

U.S. PATENT DOCUMENTS

- 3,427,800 A * 2/1969 Blum G04B 19/283 368/223
- D325,353 S * 4/1992 Meyer D10/30
- D349,653 S * 8/1994 Giardiello D10/30

(Continued)

OTHER PUBLICATIONS

Thread: Potential speedposted provides inspiration (coin edge), posted Jan. 16, 2010, [retrieved Jan. 3, 2018]. Retrieved from Internet, <URL: [>.*](http://forum.tz-uk.com/showthread.php?102667-Potential-speedposted-provides-inspiration-(coin-edge))

(Continued)

Primary Examiner — Barbara Fox
Assistant Examiner — Kristin E Reed
(74) *Attorney, Agent, or Firm* — McAndrews Held & Malloy, Ltd.

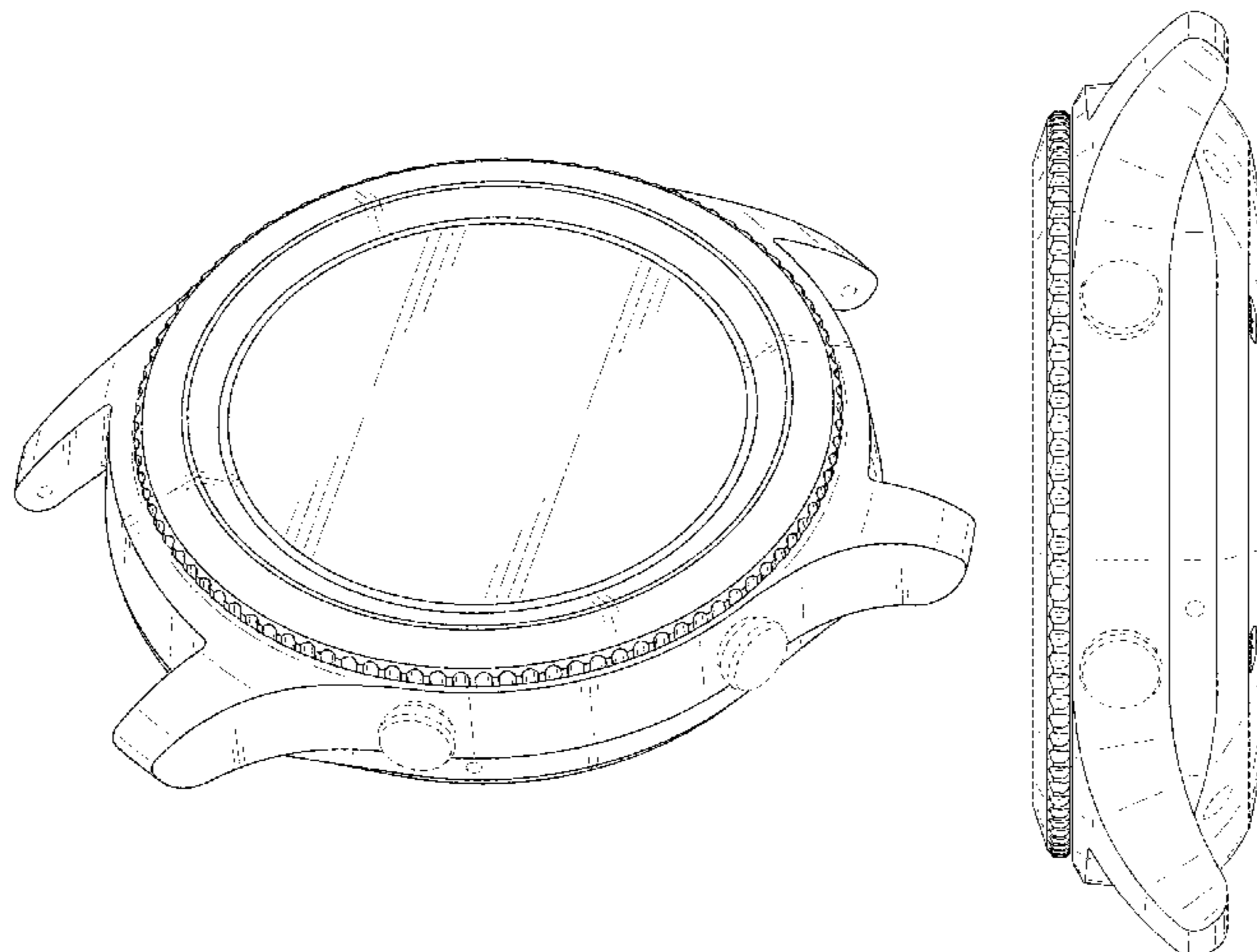
(57) **CLAIM**

The ornamental design for a portable electronic device, as shown and described.

DESCRIPTION

FIG. 1 is a front perspective view of a portable electronic device showing our new design;
FIG. 2 is a front elevation view thereof;
FIG. 3 is a rear elevation view thereof;
FIG. 4 is a left side elevation view thereof;
FIG. 5 is a right side elevation view thereof;
FIG. 6 is a top plan view thereof;
FIG. 7 is a bottom plan view thereof;
FIG. 8 is a rear perspective view thereof; and,
FIG. 9 is a front perspective view thereof, showing example environment.
The evenly dashed broken lines in the drawings depict portions of the portable electronic device. The dot-dot-dash broken lines showing the watch strap in FIG. 9 depict environmental structure. The broken lines form no part of the claimed design.

1 Claim, 7 Drawing Sheets



(58) **Field of Classification Search**

CPC 1/03; H04M 1/04; H04M 1/05; H04M
1/667; H04M 1/6058; Y02B 60/1217
See application file for complete search history.

(56) **References Cited**

U.S. PATENT DOCUMENTS

D352,908 S *	11/1994	Schneider	D10/32
D536,266 S *	2/2007	Tomimatsu	D10/38
D579,350 S *	10/2008	Calvani	D10/39
D579,792 S *	11/2008	Calvani	D10/39
D708,074 S *	7/2014	Tonohori	D10/39
D726,675 S *	4/2015	Choi	D10/38
D730,201 S *	5/2015	Giannini	D10/39
D738,227 S *	9/2015	Monachon	D10/126
D760,096 S *	6/2016	Lutgen	D10/126
9,665,068 B2 *	5/2017	Lee	A44C 5/0007
D803,210 S *	11/2017	Bang	D14/344

OTHER PUBLICATIONS

Samsung Gear S3 officially announced: here's what you need to know, posted Aug. 31, 2016, [retrieved Jan. 3, 2018]. Retrieved from Internet, <URL: <https://www.androidauthority.com/samsung-gear-s3-specs-price-release-date-713365/> >.*
5 Amazing Dive Watches, posted Jul. 29, 2014, [retrieved Jan. 3, 2018]. Retrieved from Internet, <URL: <http://www.prowatches.org/5-amazing-dive-watches/> >.*
August Steiner Men's AS8189SSBR Silver Multifunction Quartz Watch with White and Black Dial and Brown Leather Strap, posted Sep. 23, 2015, [retrieved Jan. 3, 2018]. Retrieved from Internet, <URL: <https://www.amazon.com/August-Steiner-AS8189SSBR-Multifunction-Leather/dp/B013GEMFFY> >.*

* cited by examiner

FIG. 1

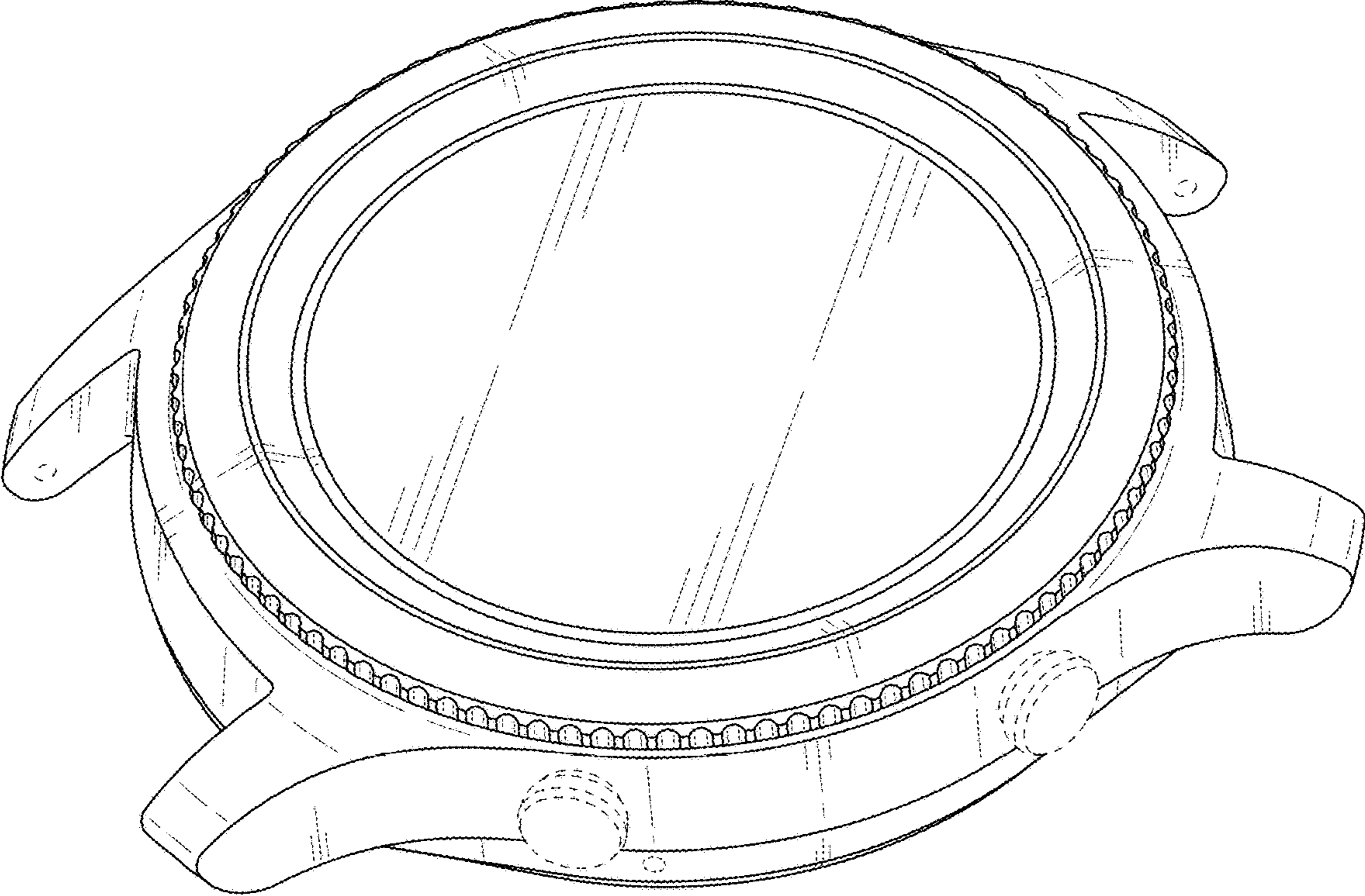


FIG. 2

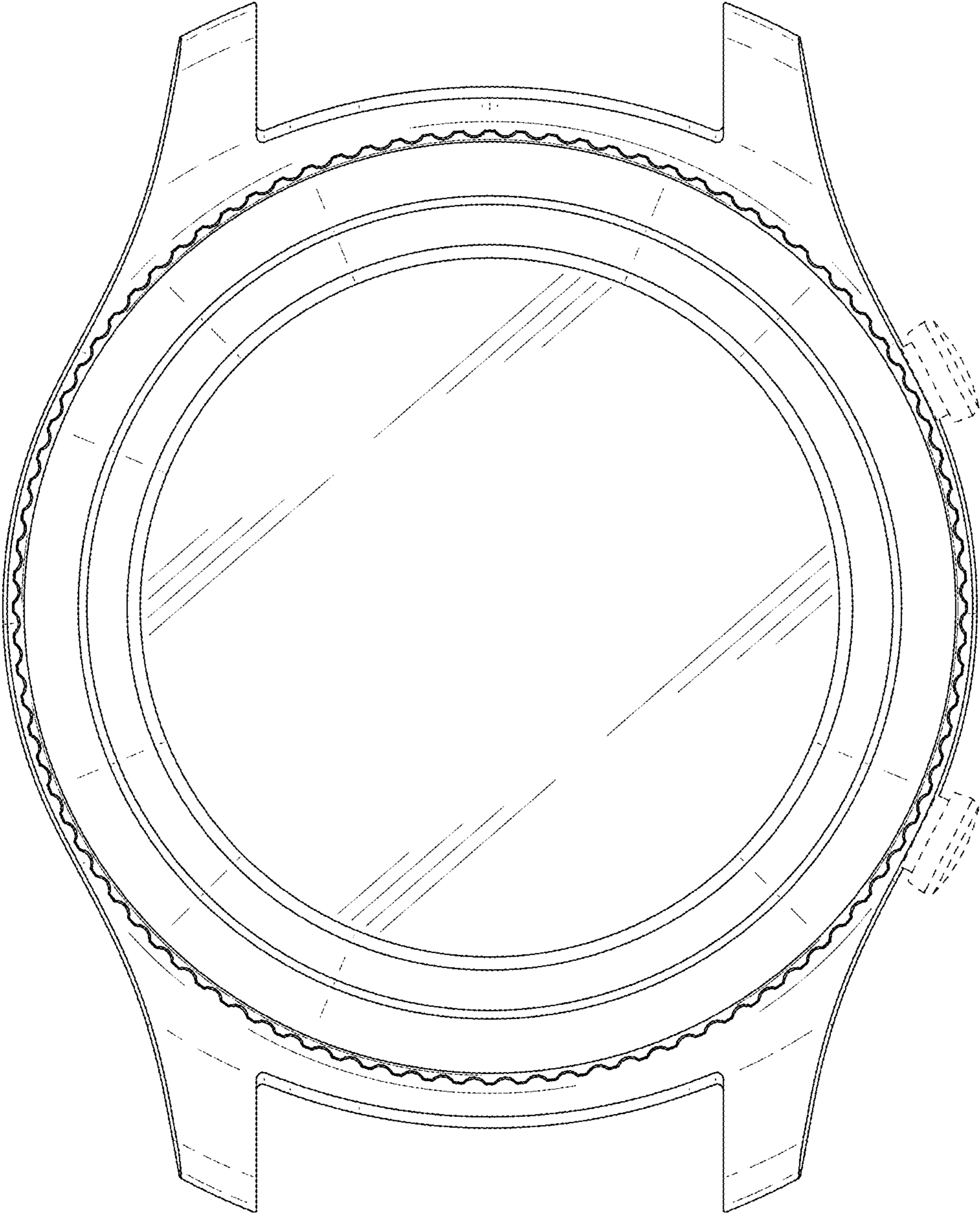


FIG. 3

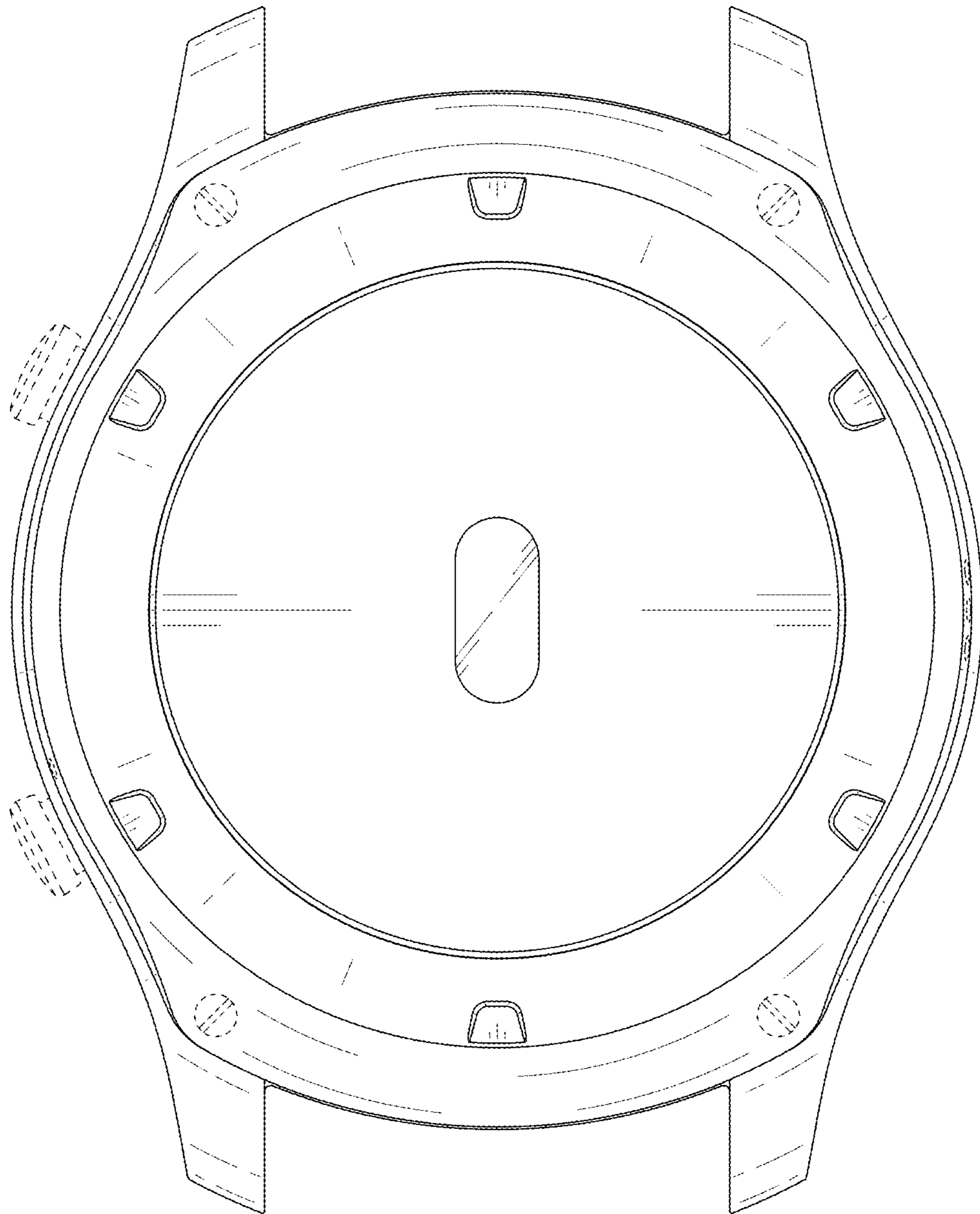


FIG. 4

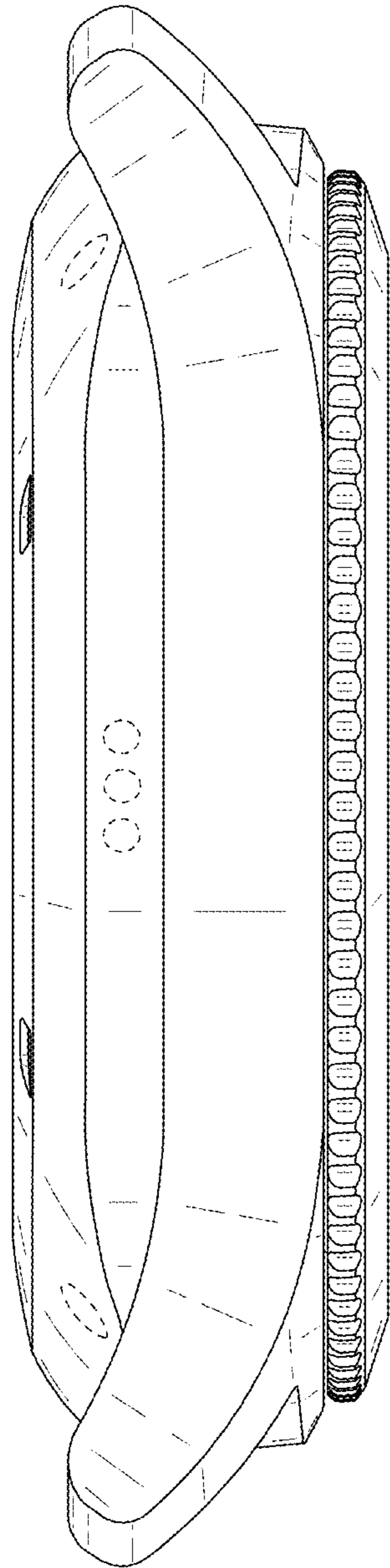


FIG. 5

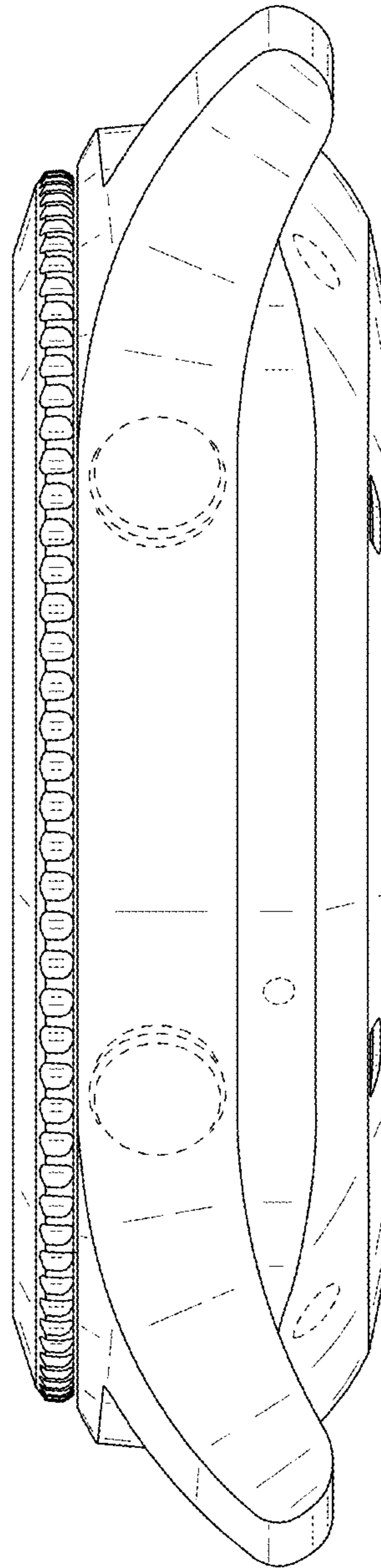


FIG. 6

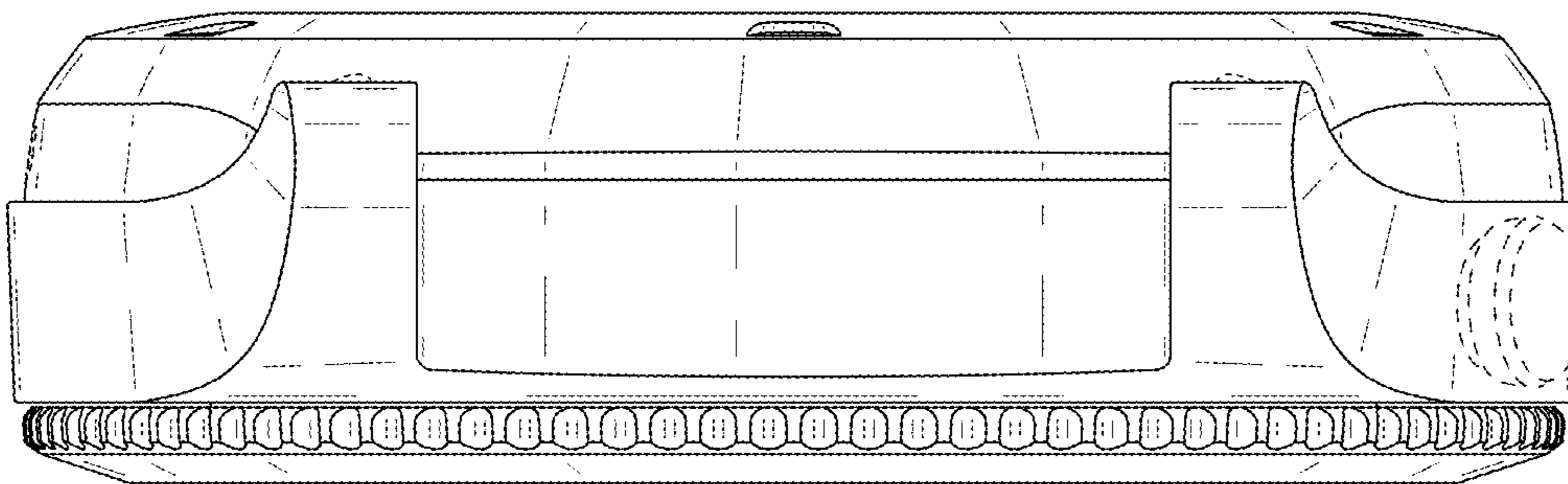


FIG. 7

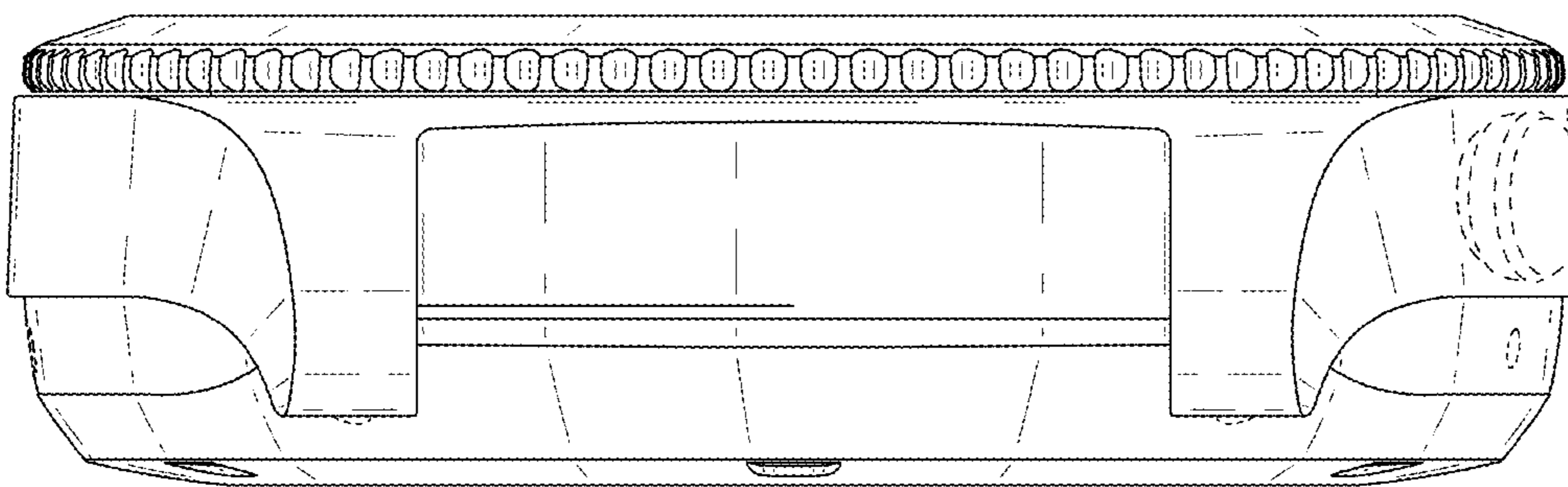


FIG. 8

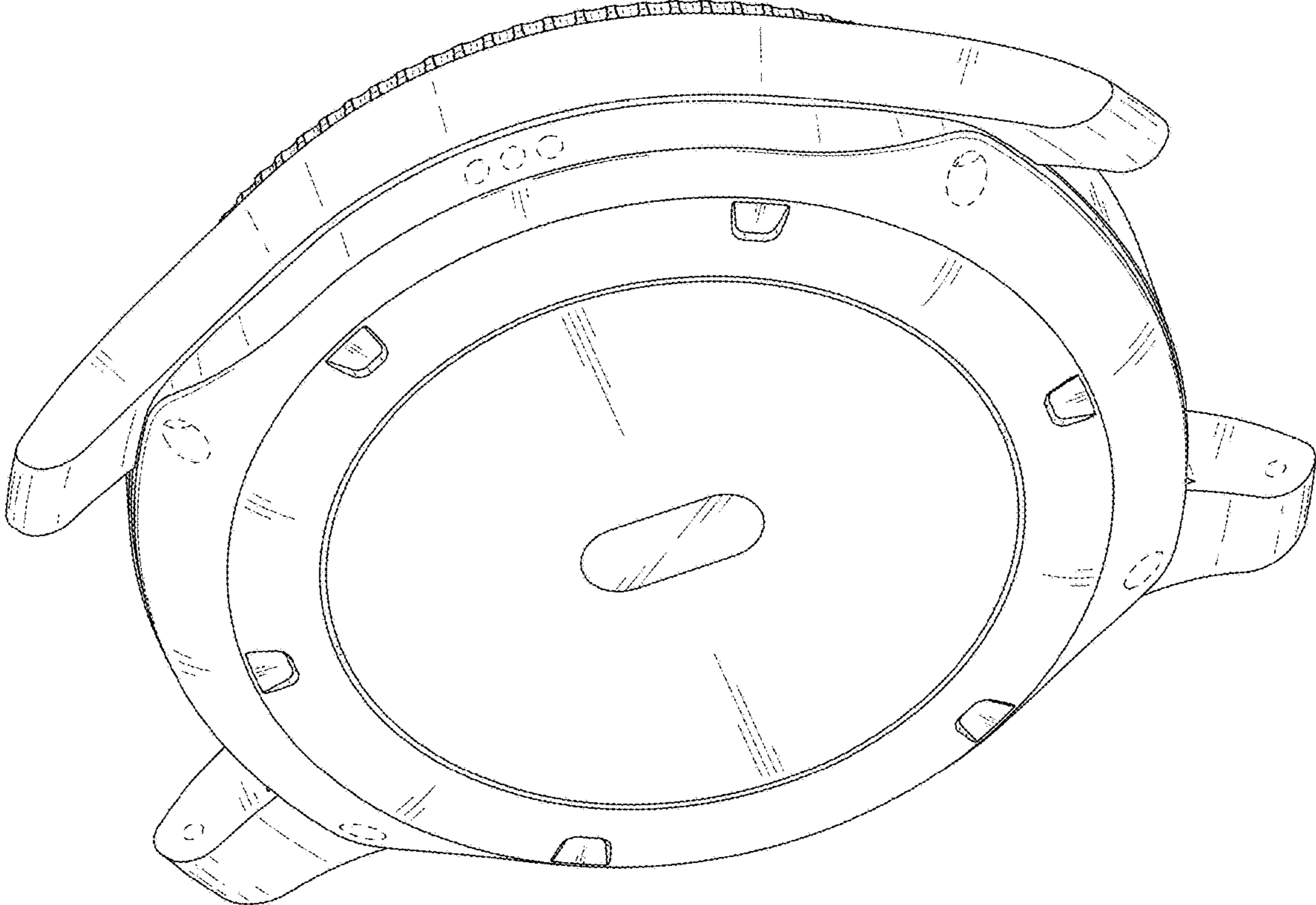


FIG. 9

